



US00D861397S

(12) **United States Design Patent**
Cohen

(10) **Patent No.:** **US D861,397 S**

(45) **Date of Patent:** **** *Oct. 1, 2019**

(54) **DECORATIVE CORNER STAND**

(71) Applicant: **Howard Cohen**, Indialantic, FL (US)

(72) Inventor: **Howard Cohen**, Indialantic, FL (US)

(*) Notice: This patent is subject to a terminal disclaimer.

(**) Term: **14 Years**

(21) Appl. No.: **29/460,029**

(22) Filed: **Jul. 6, 2013**

(51) **LOC (12) Cl.** **06-06**

(52) **U.S. Cl.**
USPC **D6/676.1**

(58) **Field of Classification Search**
USPC D6/396, 449, 451-452, 455, 465, 467,
D6/480-489, 477-479, 495-499, 672,
D6/676-676.1; 248/218.4, 188, 188.1,
248/188.8; 211/13.1, 119.005, 115, 134,
211/150, 153, 155-156, 161
See application file for complete search history.

(56) **References Cited**

U.S. PATENT DOCUMENTS

D304,398 S *	11/1989	Goetz	D6/479
D314,477 S *	2/1991	Richter	D6/479
D321,296 S *	11/1991	Miranda	D6/461
D325,137 S *	4/1992	Porter	D6/479
D330,469 S *	10/1992	Brodbeck et al.	D6/421
D382,733 S *	8/1997	Goetz	D6/479
D409,868 S *	5/1999	France	D6/562

D421,867 S *	3/2000	Carville et al.	D6/562
D514,847 S *	2/2006	Peller et al.	D6/465
D522,271 S *	6/2006	Arippol	D6/465
D638,640 S *	5/2011	Molayem	D6/465

OTHER PUBLICATIONS

AquaTeak, 326 Teak Corner Stand, Date Downloaded Jun. 24, 2013, www.aquateak.com.

AquaTeak, 326 Teak Corner Stand, Date Published Feb. 12, 2008, www.aquateak.com.

* cited by examiner

Primary Examiner — Kelley Donnelly

(74) *Attorney, Agent, or Firm* — Stephen C Thomas

(57) **CLAIM**

The ornamental design for a decorative corner stand, as shown and described.

DESCRIPTION

FIG. 1 is a perspective view of the decorative corner stand of the invention:

FIG. 2 is a front view thereof;

FIG. 3 is a left side view thereof;

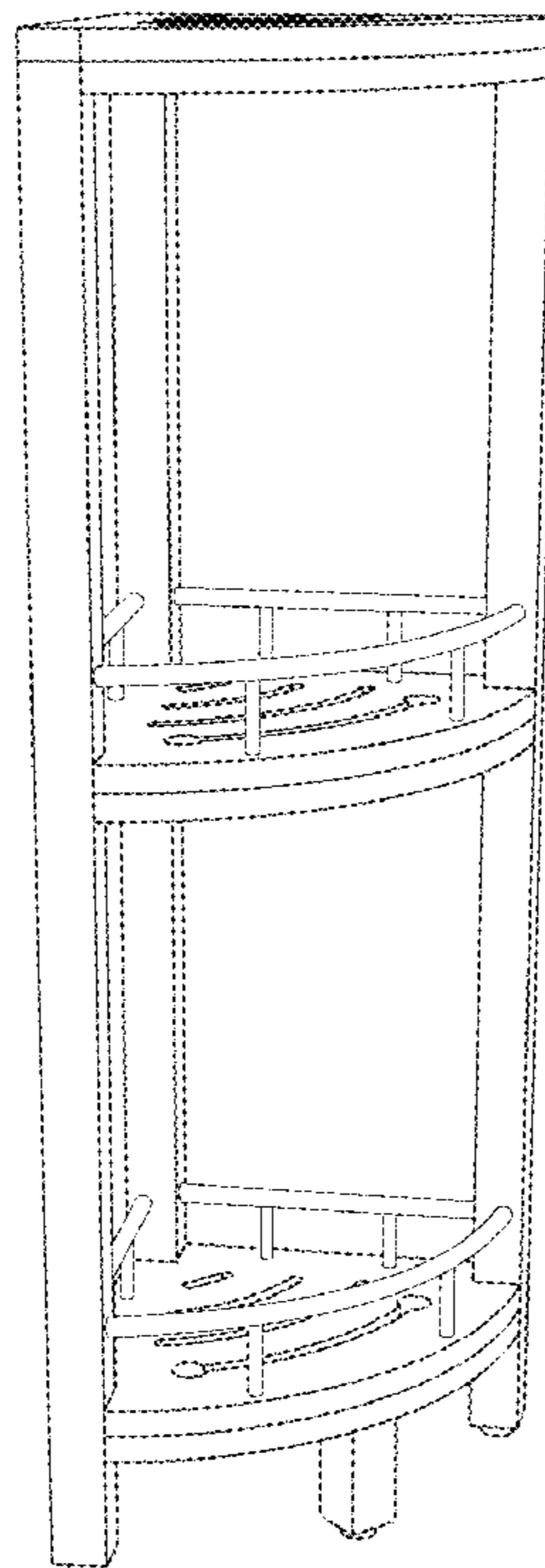
FIG. 4 is a right side view thereof;

FIG. 5 is a top view thereof; and,

FIG. 6 is a bottom view thereof.

The broken lines are for the purpose of illustrating the environment of the article only and form no part of the claimed design.

1 Claim, 2 Drawing Sheets



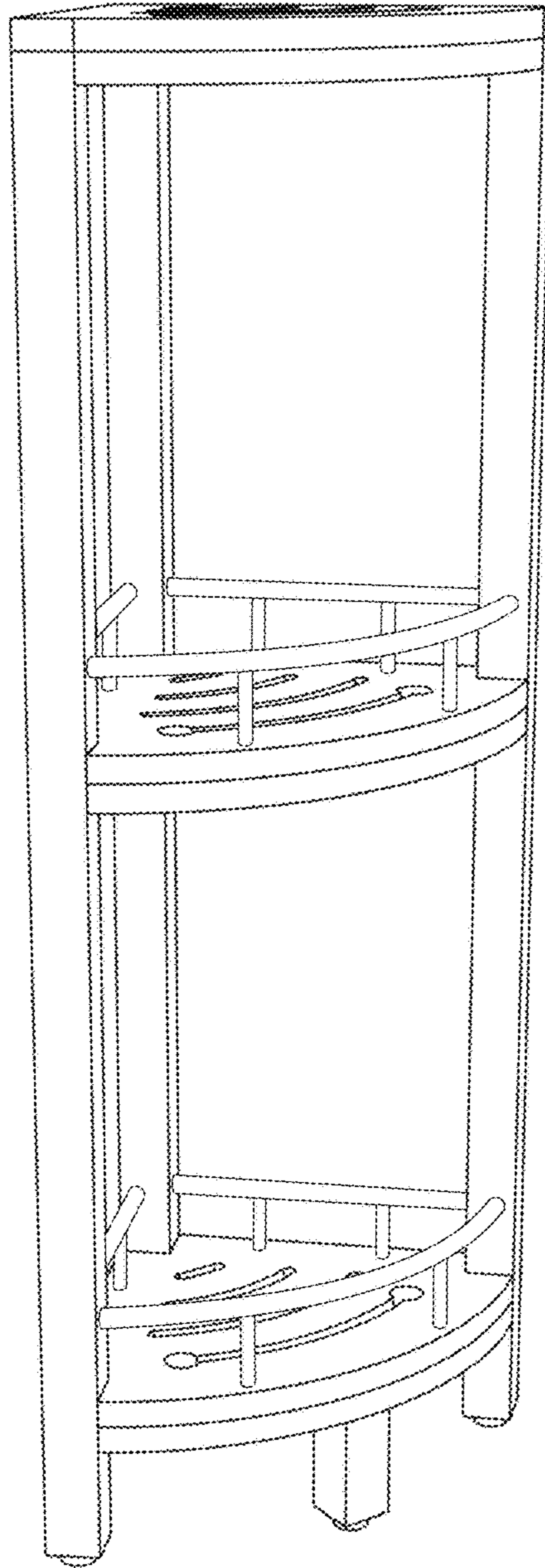


Fig. 1

Fig. 5

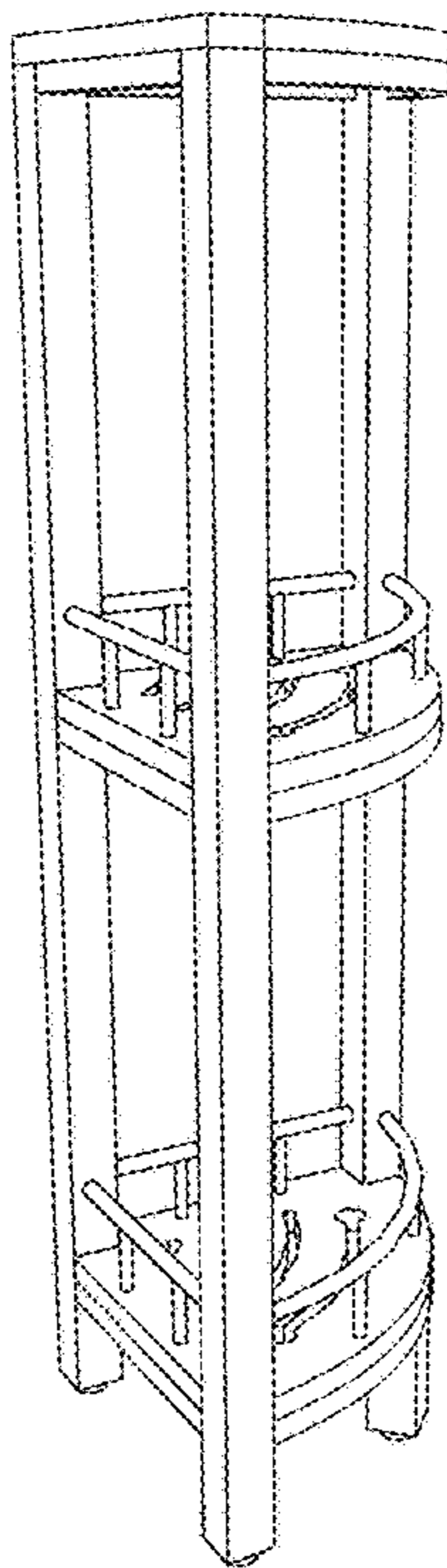
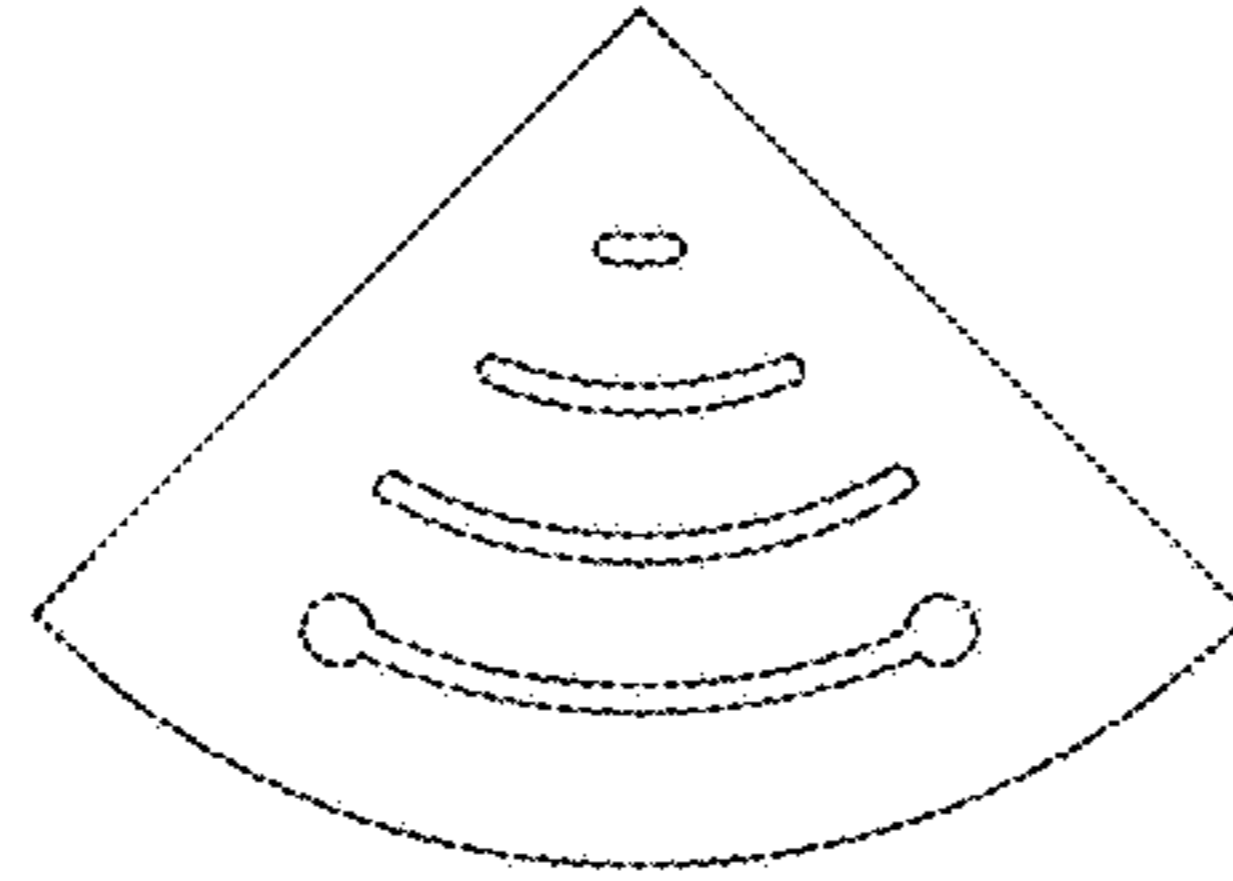


Fig. 3

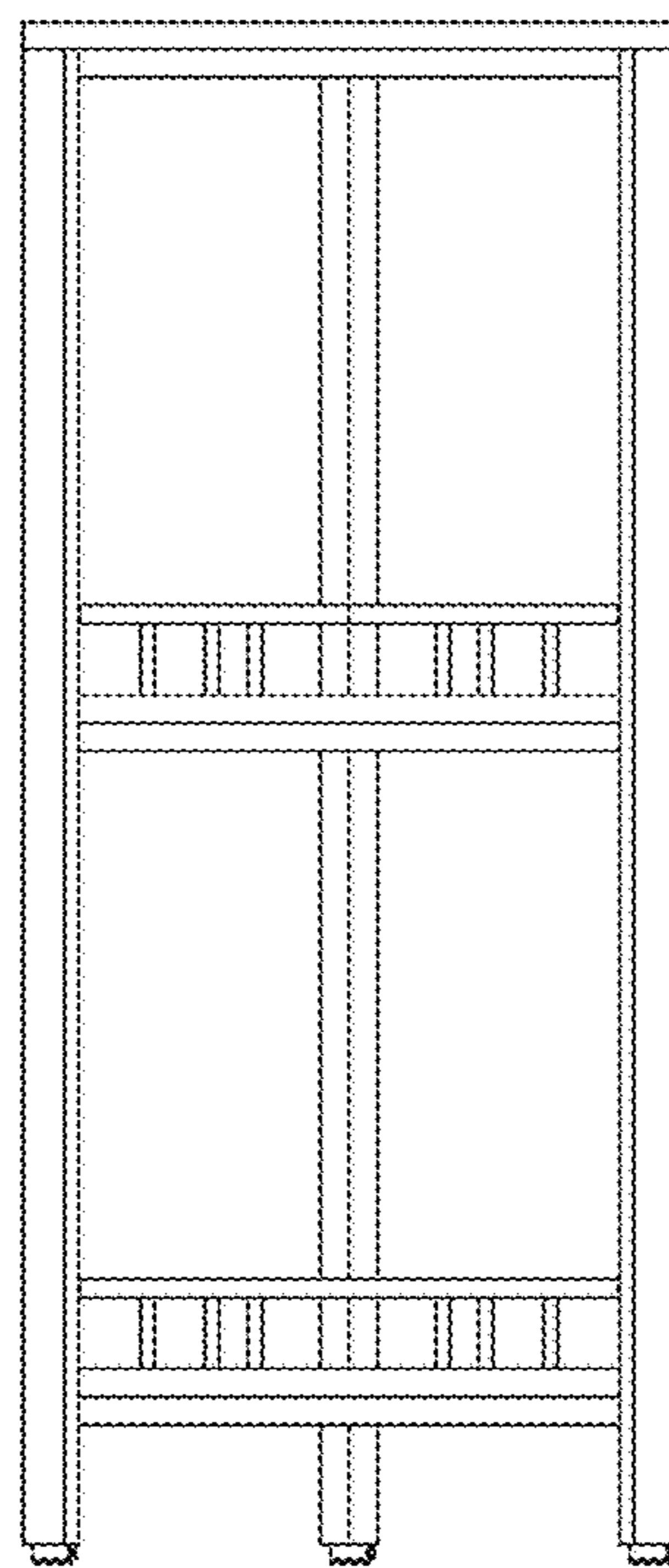


Fig. 2

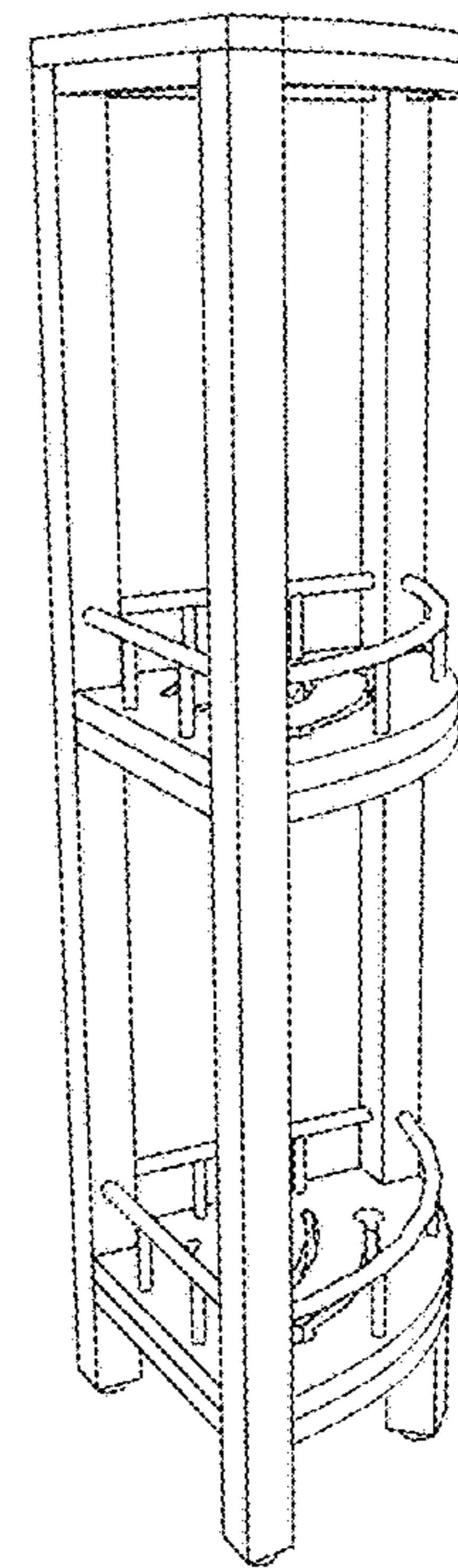


Fig. 4

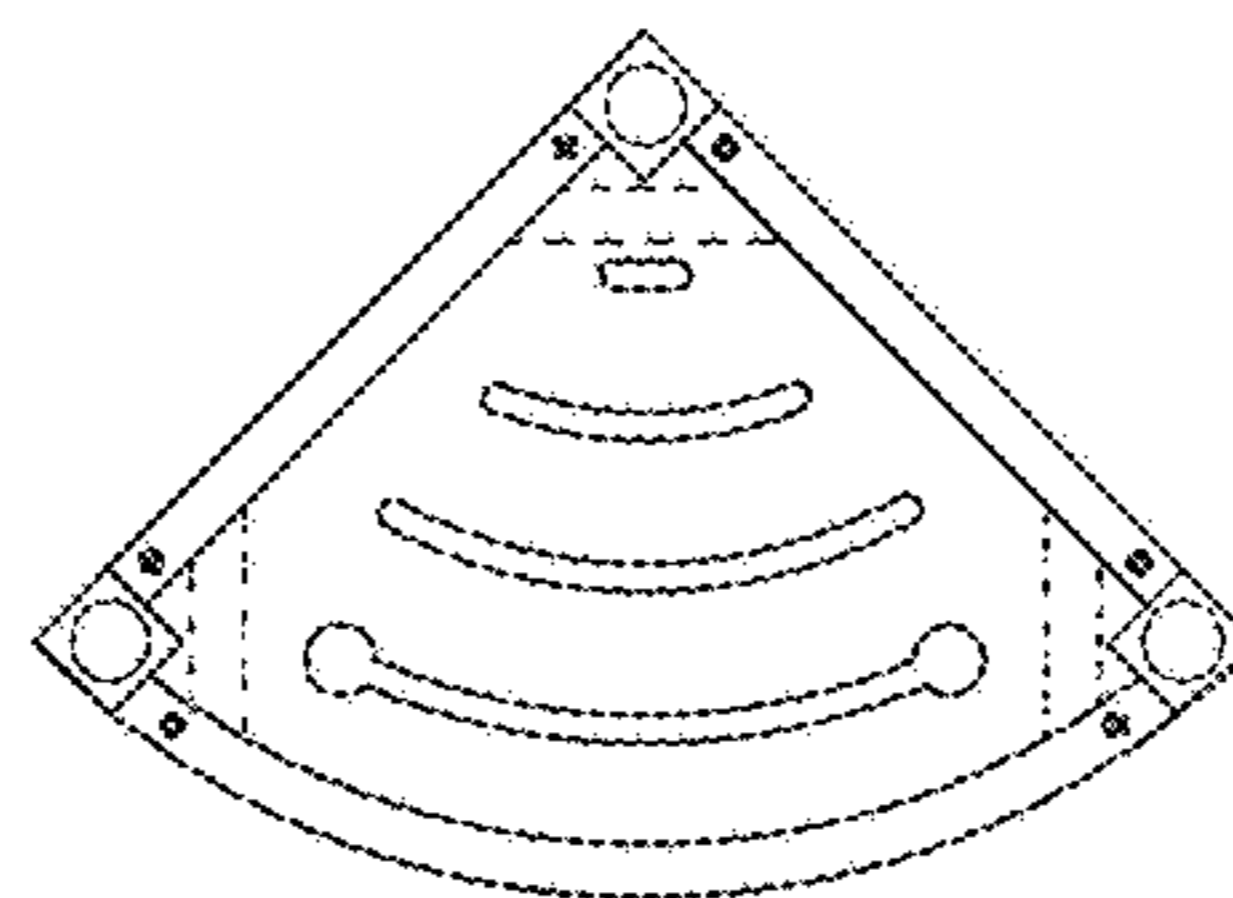


Fig. 6