



US00D861393S

(12) **United States Design Patent** (10) **Patent No.:** **US D861,393 S**
Pedersen et al. (45) **Date of Patent:** **** Oct. 1, 2019**

(54) **DISPLAY UNIT**
(71) Applicant: **Target Brands, Inc.**, Minneapolis, MN (US)
(72) Inventors: **Sara L. Pedersen**, Minneapolis, MN (US); **Scott E. Denby**, Minneapolis, MN (US)
(73) Assignee: **Target Brands, Inc.**, Minneapolis, MN (US)

(**) Term: **15 Years**

(21) Appl. No.: **29/661,613**

(22) Filed: **Aug. 29, 2018**

(51) **LOC (12) Cl.** **06-06**

(52) **U.S. Cl.**
USPC **D6/675**

(58) **Field of Classification Search**
USPC D6/329, 663, 664, 672, 675, 675.1, 684, D6/691
CPC A47F 5/0018; A47F 5/0043; A47F 5/0081; A47F 10/00; A47F 11/00
See application file for complete search history.

(56) **References Cited**

U.S. PATENT DOCUMENTS

D260,212 S *	8/1981	Crespi	D6/677
D398,186 S *	9/1998	Zaidman	D6/671
D401,443 S *	11/1998	Zaidman	D6/671.1
D407,238 S *	3/1999	Zaidman	D6/671.1
D407,239 S *	3/1999	Zaidman	D6/671.1
D485,098 S *	1/2004	Harris	D6/671
D502,821 S *	3/2005	Mohundro	D6/671.1
D511,055 S *	11/2005	Draheim	D6/671.1
D549,486 S *	8/2007	Sheppard	D6/671.1
D618,014 S *	6/2010	Min	D6/678.1
D628,828 S *	12/2010	Everson	D6/671.1

D649,376 S *	11/2011	Borgonovo	D6/671.1
D846,313 S *	4/2019	Carral O' Gorman	D6/652
D848,766 S *	5/2019	Chen	D6/657

* cited by examiner

Primary Examiner — Kelley A Donnelly
(74) *Attorney, Agent, or Firm* — Leanne Taveggia Farrell; Westman, Champlin & Koehler, P.A.

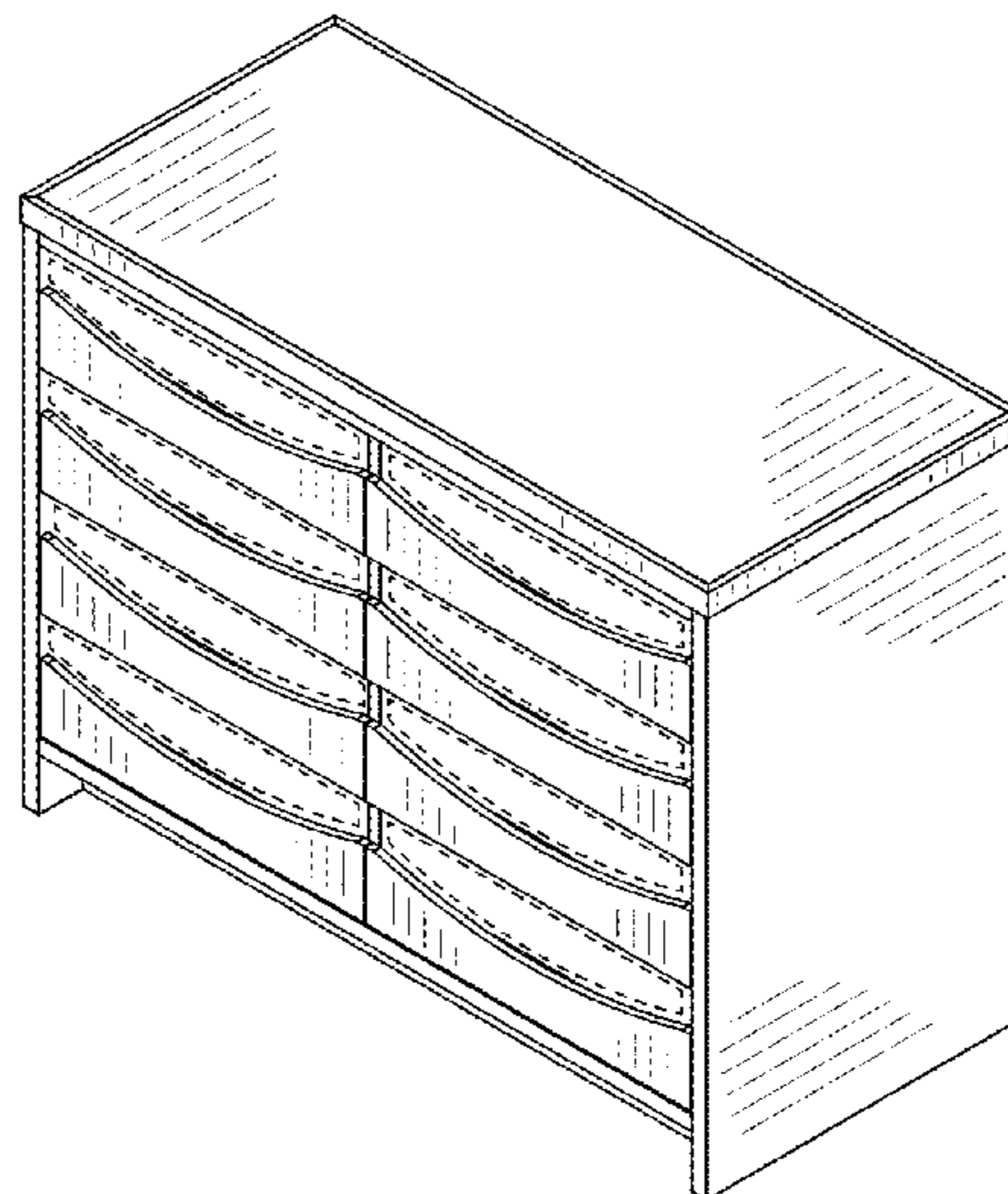
(57) **CLAIM**

The ornamental design for a display unit, as shown and described.

DESCRIPTION

FIG. 1 is a perspective view of a first embodiment of a display unit showing our new design;
FIG. 2 is a front view thereof;
FIG. 3 is a back view thereof;
FIG. 4 is a right side view thereof, the left side view being identical;
FIG. 5 is a top view thereof;
FIG. 6 is a perspective view of a second embodiment thereof;
FIG. 7 is a front view of FIG. 6;
FIG. 8 is a back view of FIG. 6;
FIG. 9 is a right side view of FIG. 6, the left side view being identical;
FIG. 10 is a top view of FIG. 6;
FIG. 11 is a perspective view of a third embodiment thereof;
FIG. 12 is a front view of FIG. 11;
FIG. 13 is a back view of FIG. 11;
FIG. 14 is a right side view of FIG. 11, the left side view being identical; and,
FIG. 15 is a top view of FIG. 11.
The broken lines shown in the drawings are included for purposes of illustrating portions of the display unit and form no part of the claimed design.

1 Claim, 9 Drawing Sheets



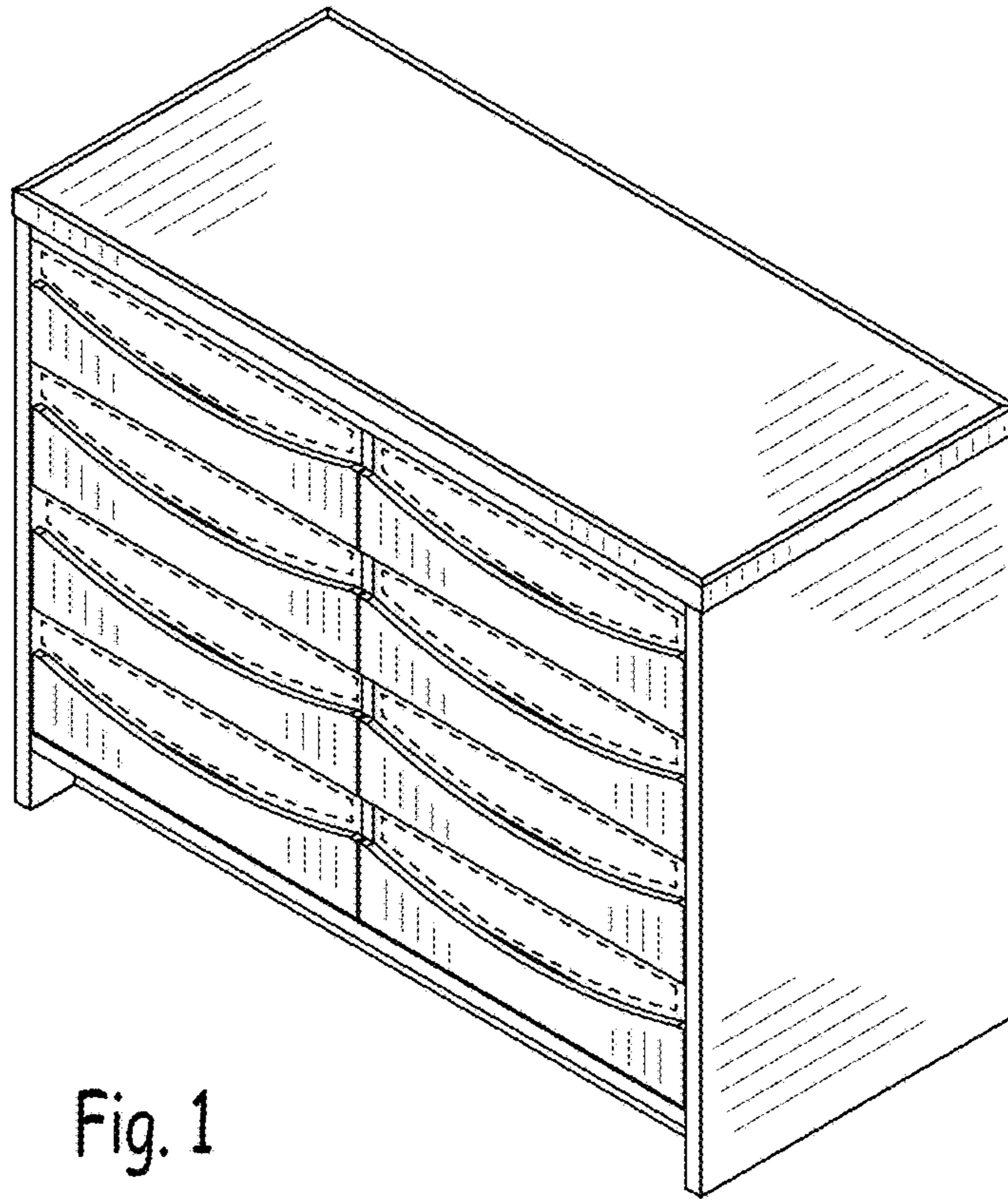


Fig. 1

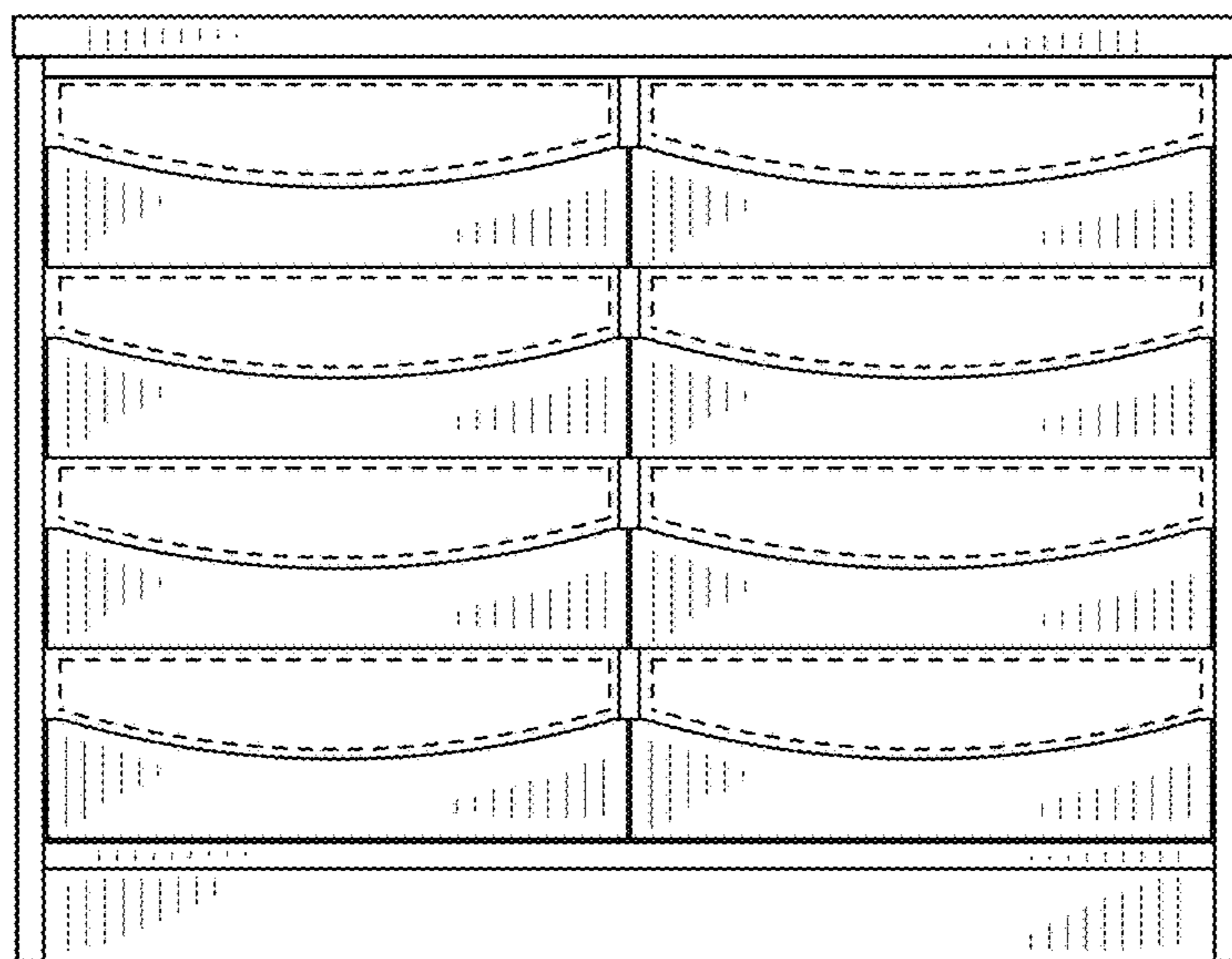


Fig. 2

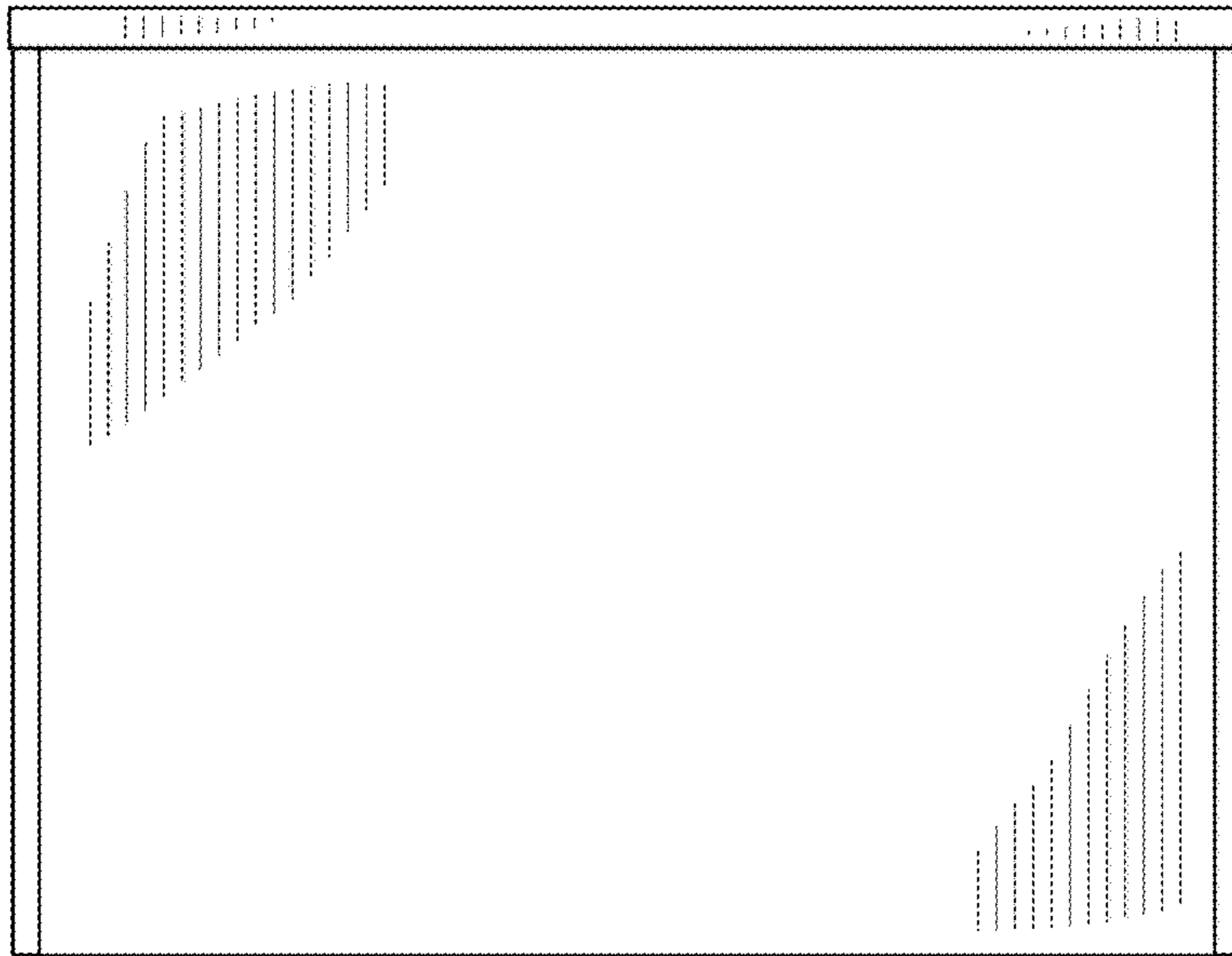


Fig. 3

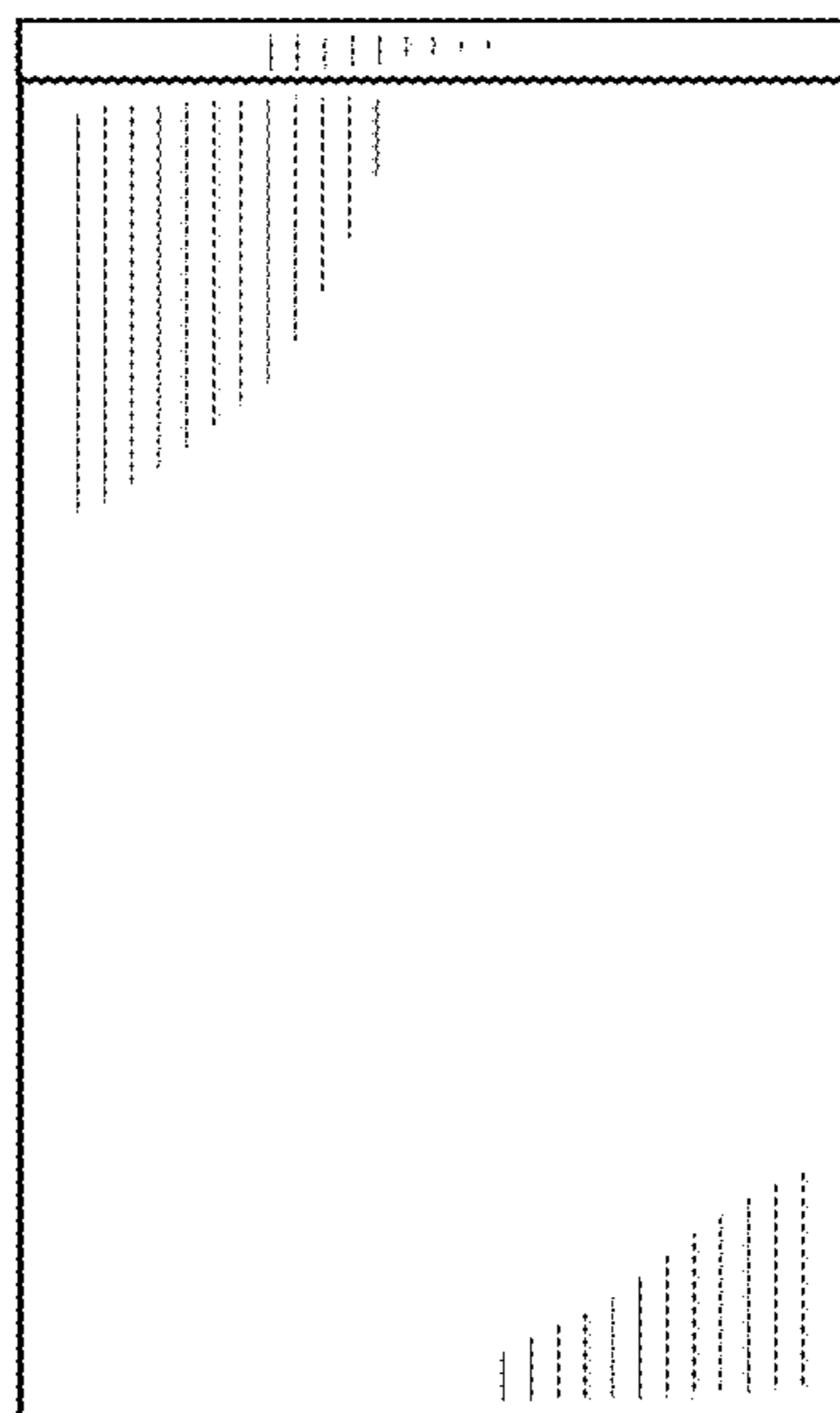


Fig. 4

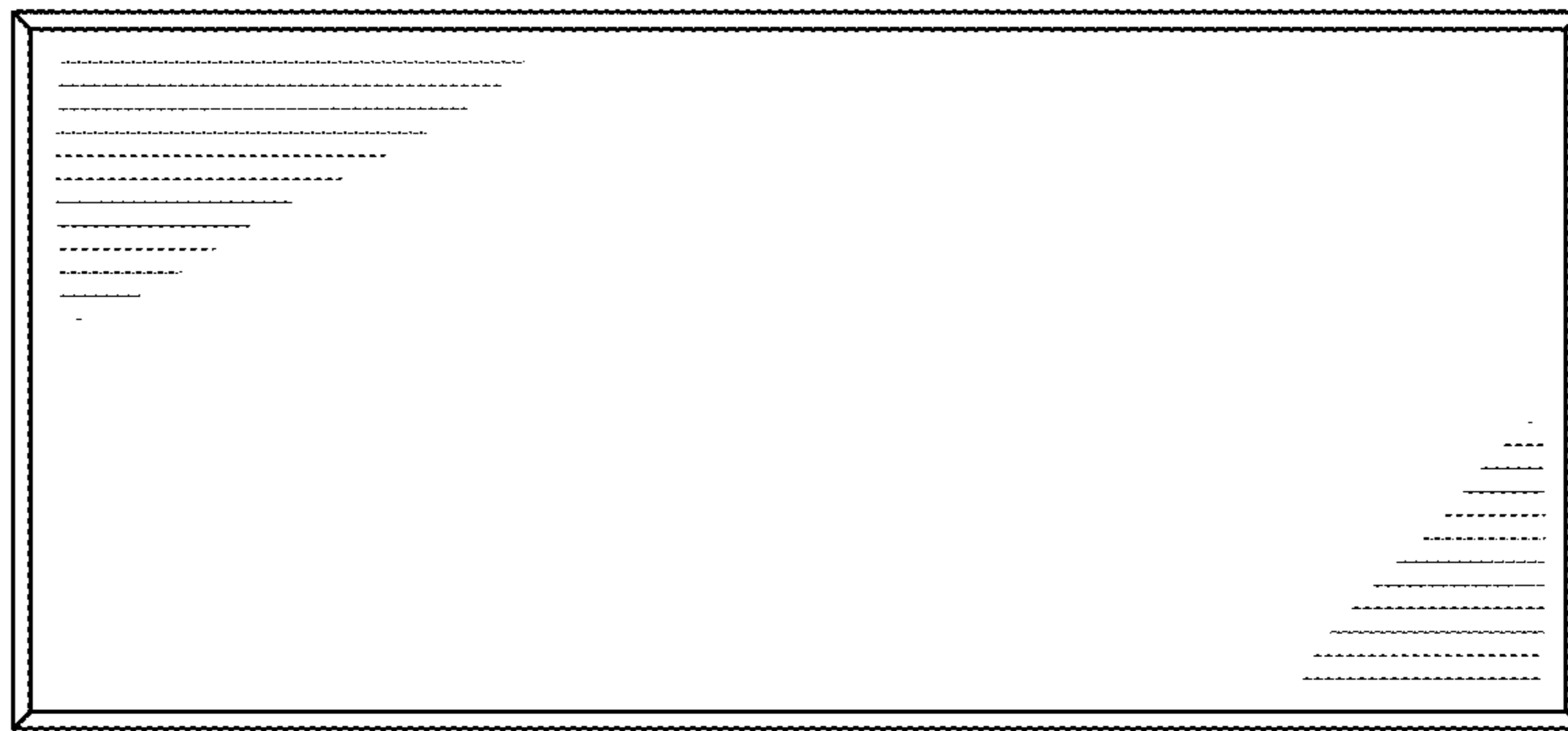


Fig. 5

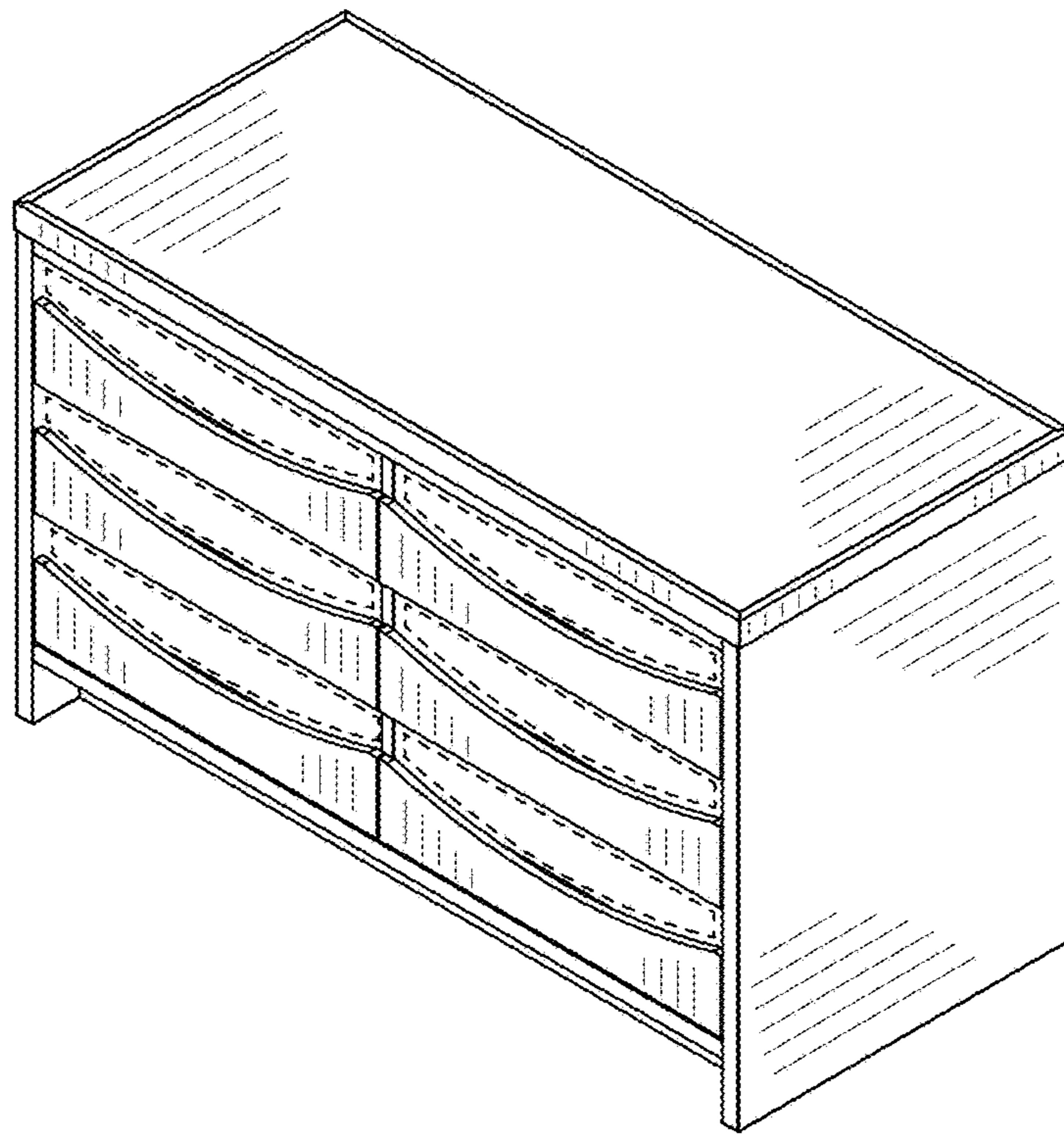


Fig. 6

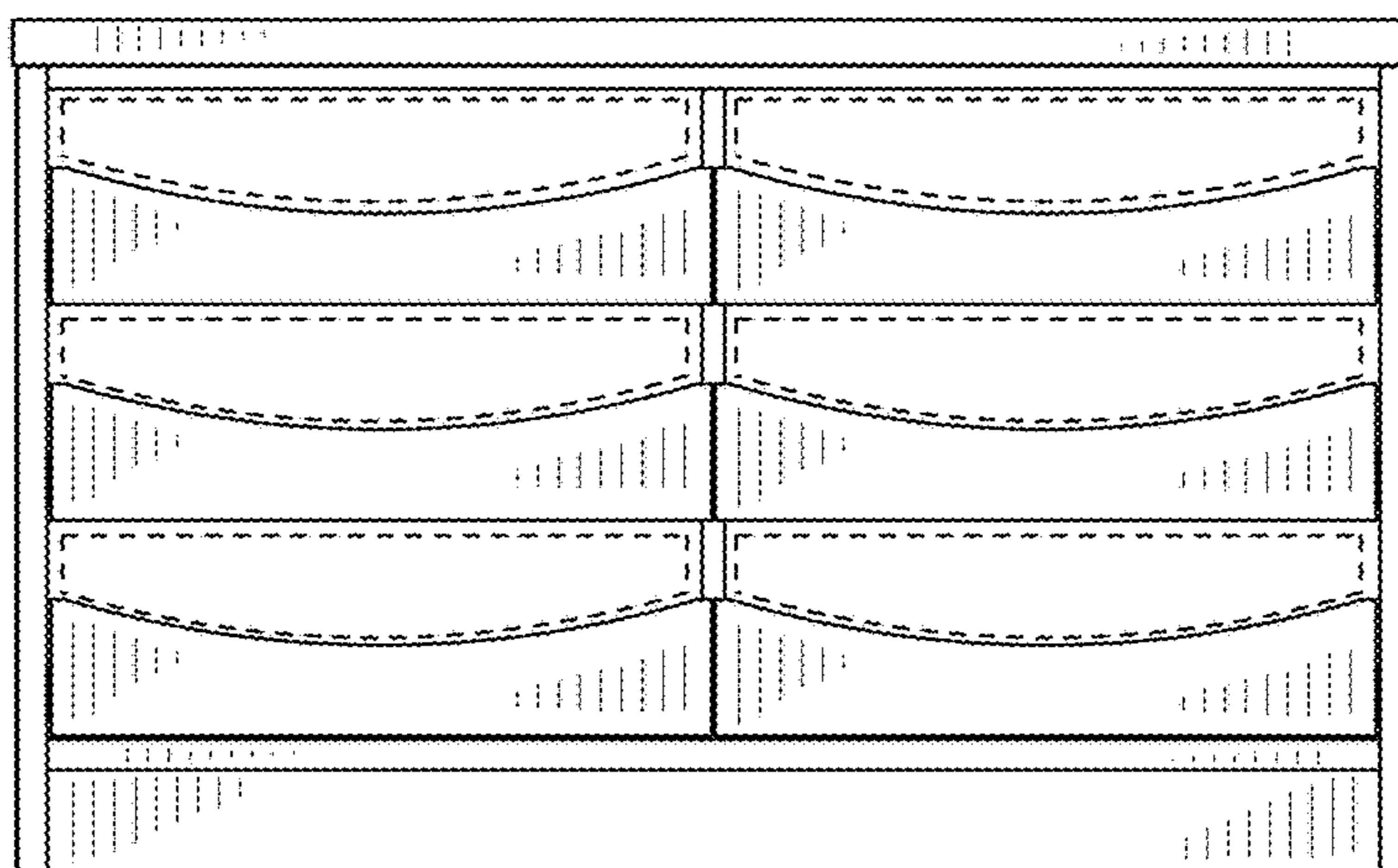


Fig. 7

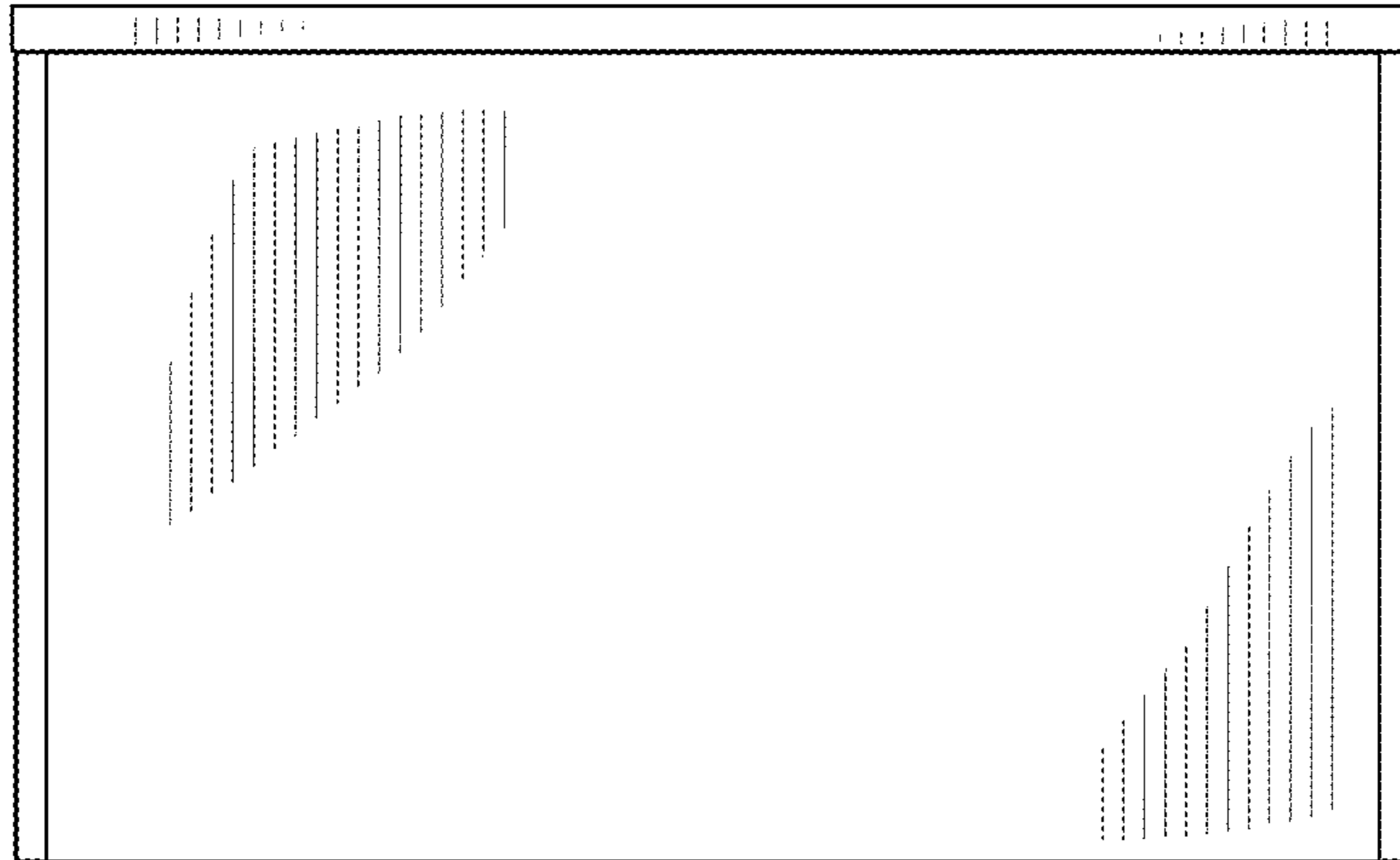


Fig. 8

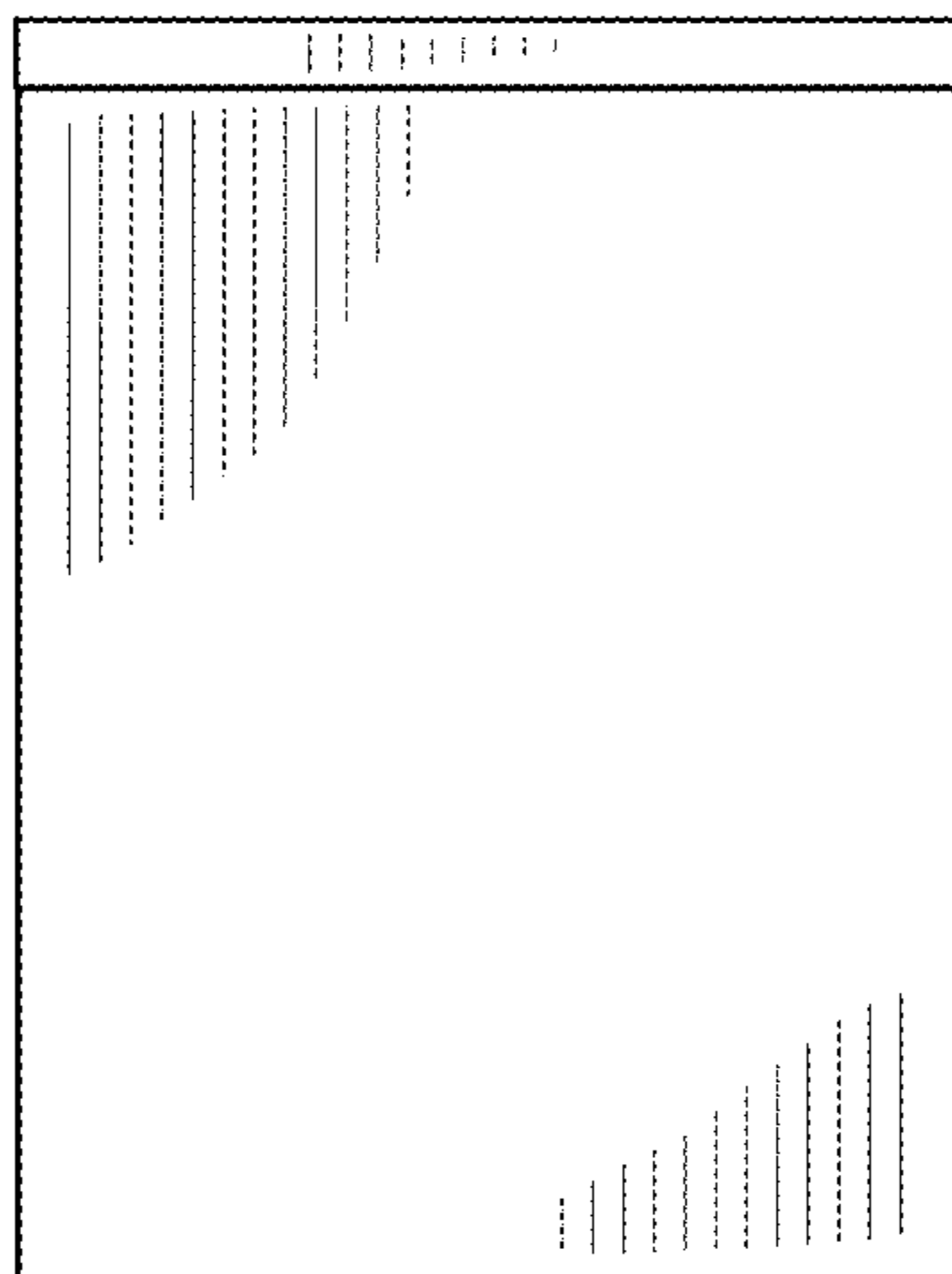


Fig. 9

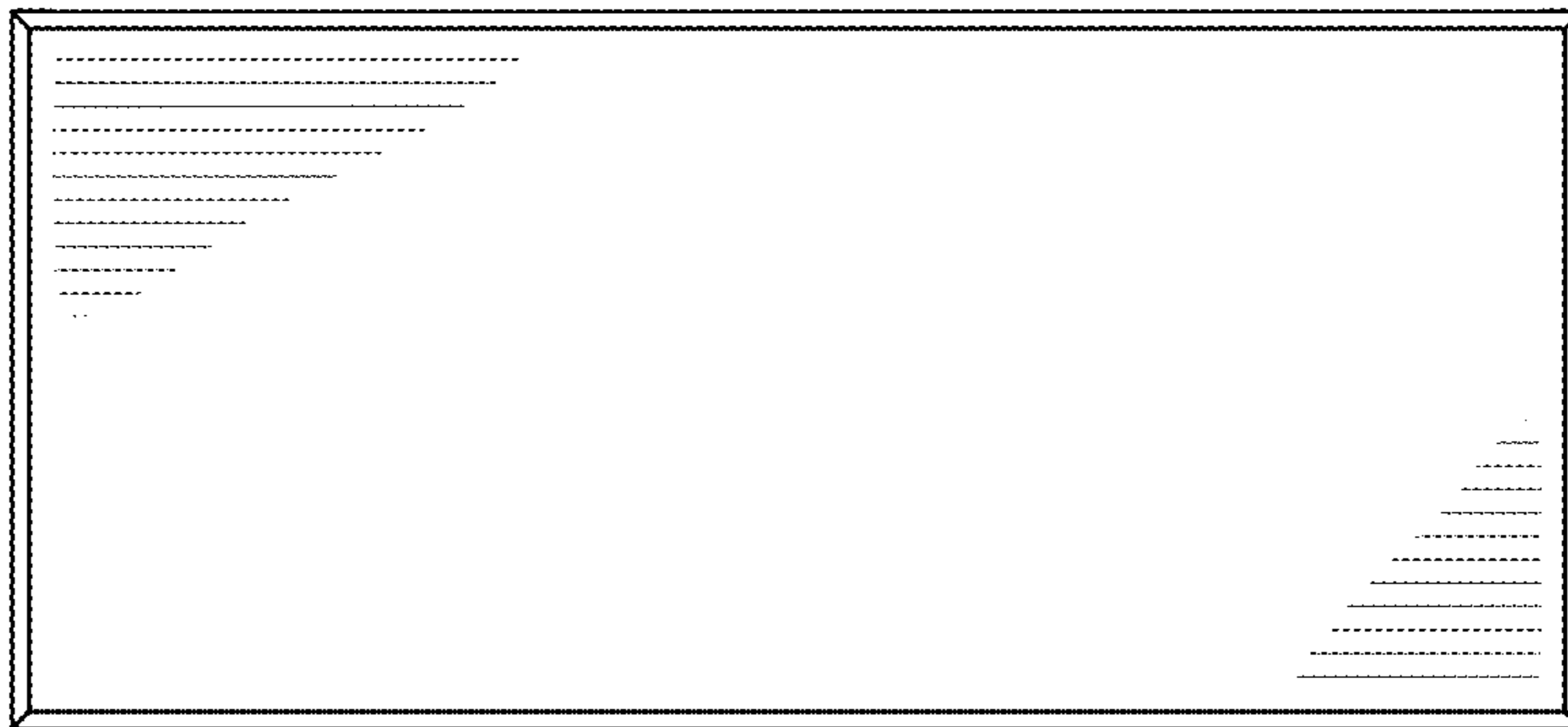


Fig. 10

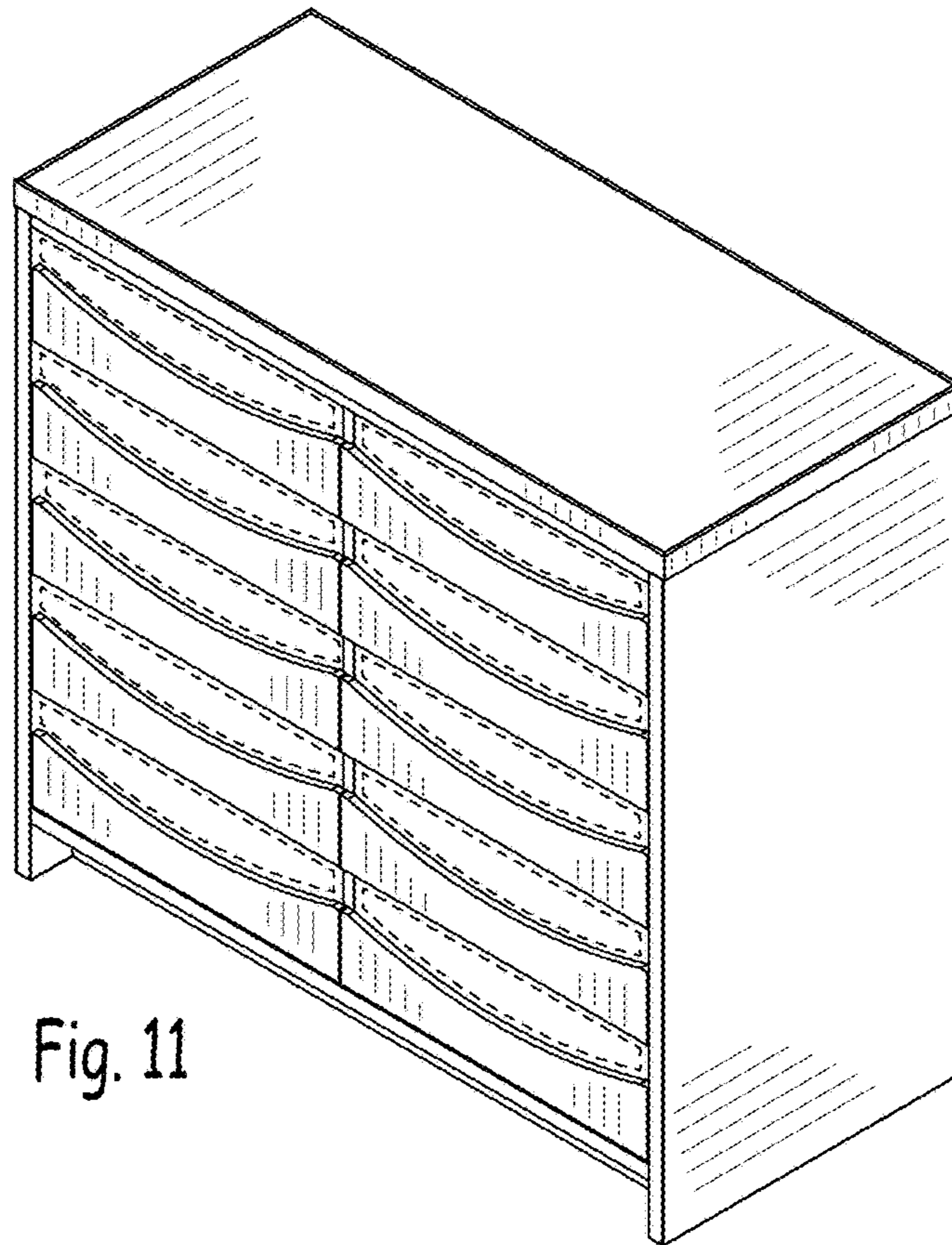


Fig. 11

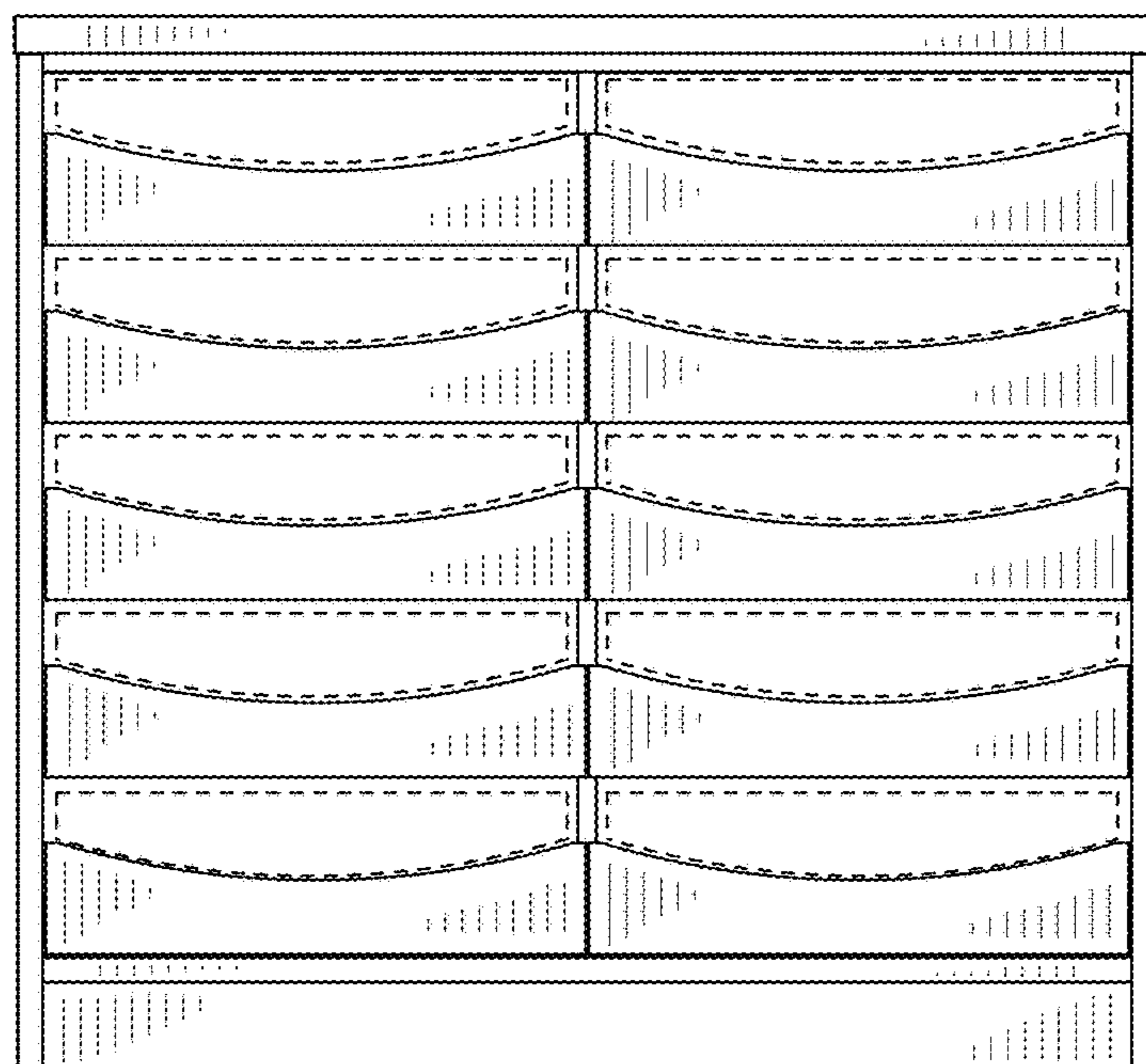


Fig. 12

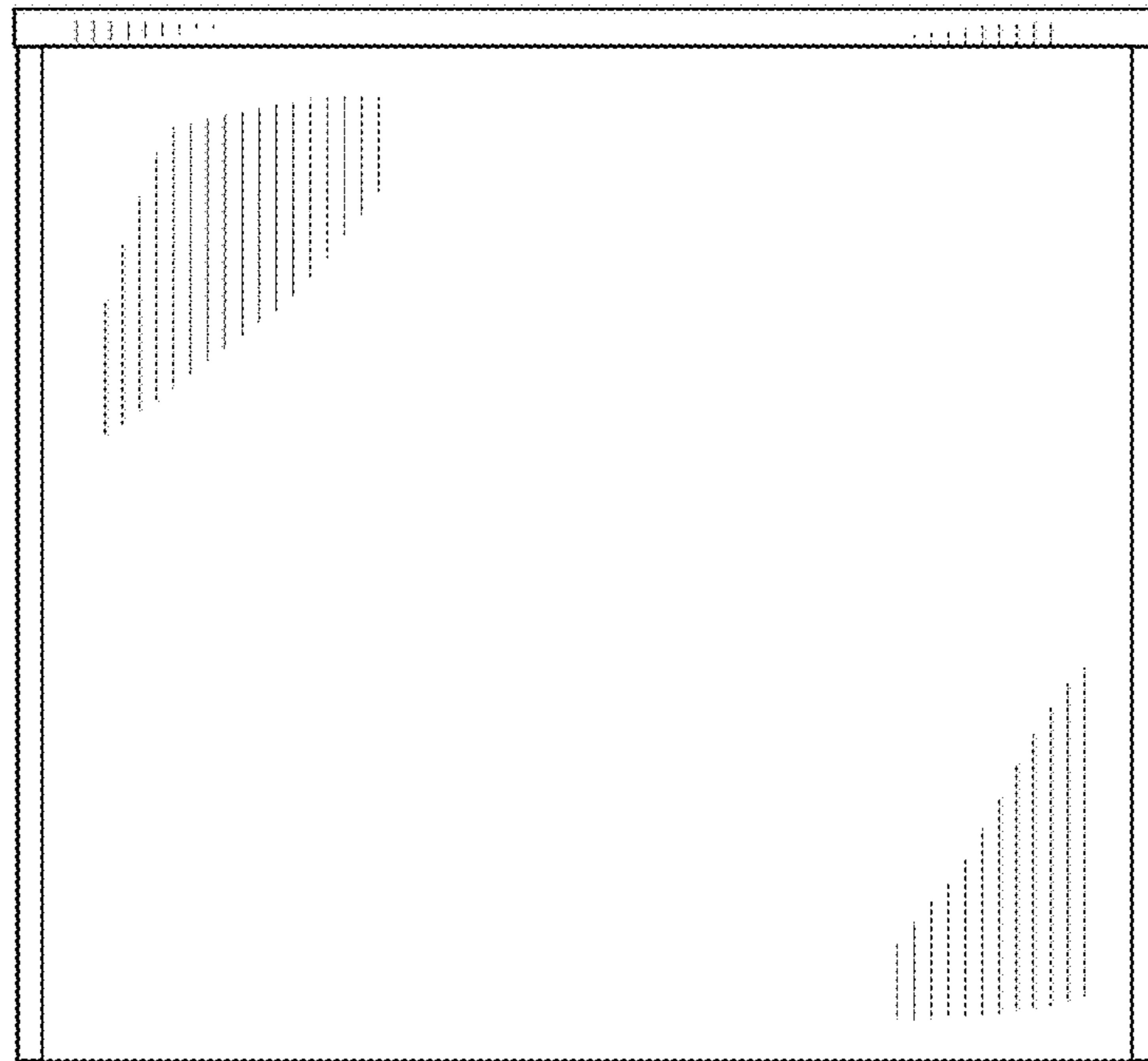


Fig. 13

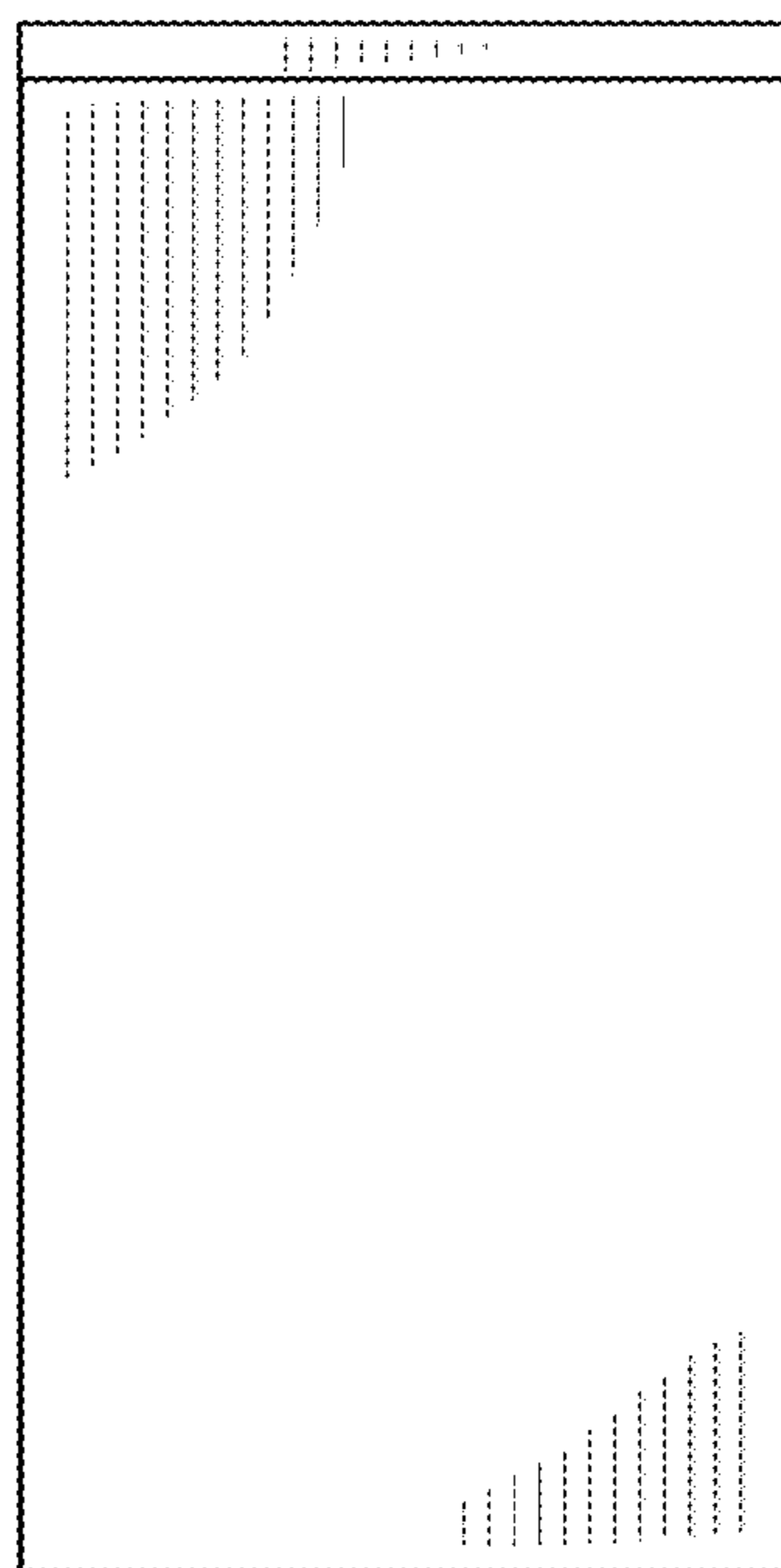


Fig. 14

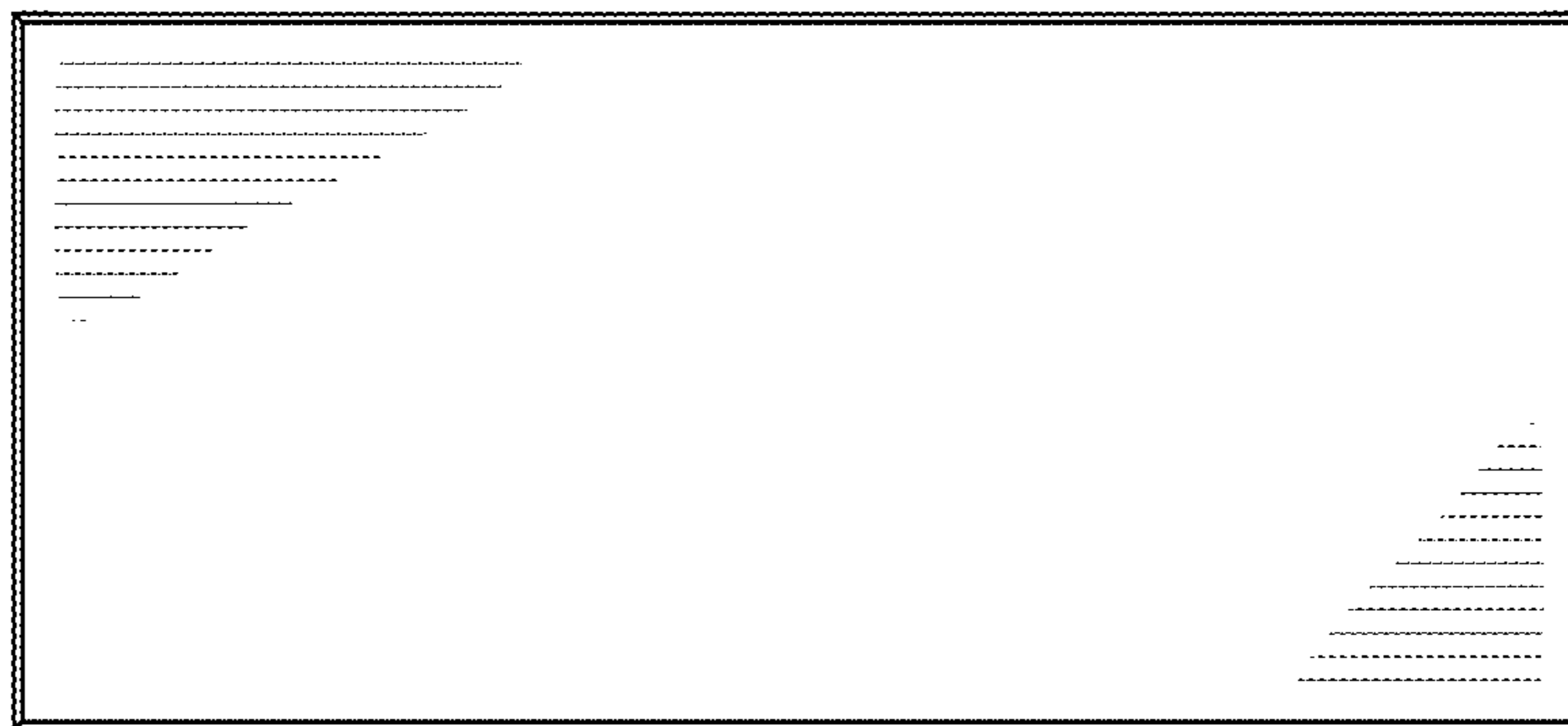


Fig. 15