



US00D861392S

(12) **United States Design Patent** (10) **Patent No.:** **US D861,392 S**  
**Pedersen et al.** (45) **Date of Patent:** **\*\* Oct. 1, 2019**

- (54) **DISPLAY UNIT**
- (71) Applicant: **Target Brands, Inc.**, Minneapolis, MN (US)
- (72) Inventors: **Sara L. Pedersen**, Minneapolis, MN (US); **Christopher S. Case**, Shakopee, MN (US)
- (73) Assignee: **Target Brands, Inc.**, Minneapolis, MN (US)

D737,234 S *	8/2015	Kim .....	D14/126
D740,594 S *	10/2015	Trinh .....	A47F 7/286
			D6/672
D792,132 S *	7/2017	Peota .....	D6/675
D811,099 S *	2/2018	Marchand .....	D6/310
D811,133 S *	2/2018	Tsuchiyama .....	D6/675
D813,832 S *	3/2018	Kim .....	D14/126
D826,221 S *	8/2018	Seo .....	D14/239
D827,339 S *	9/2018	Clark .....	D6/675
D834,356 S *	11/2018	Chapuis .....	D6/672
D835,084 S *	12/2018	Cha .....	D14/239
D851,426 S *	6/2019	Saotome .....	D6/663

\* cited by examiner

(\*\*) Term: **15 Years**

*Primary Examiner* — Kelley A Donnelly

(21) Appl. No.: **29/661,612**

(74) *Attorney, Agent, or Firm* — Leanne Taveggia Farrell; Westman, Champlin & Koehler, P.A.

(22) Filed: **Aug. 29, 2018**

(57) **CLAIM**

(51) **LOC (12) Cl.** ..... **06-06**

The ornamental design for a display unit, as shown and described.

(52) **U.S. Cl.**

USPC ..... **D6/675**

**DESCRIPTION**

(58) **Field of Classification Search**

USPC .... D6/329, 672, 663, 664, 675, 675.1, 684, D6/691

CPC .... A47F 5/0018; A47F 5/0043; A47F 5/0081; A47F 10/00; A47F 11/00

See application file for complete search history.

FIG. 1 is a perspective view of a display unit showing our new design;

FIG. 2 is a front view thereof;

FIG. 3 is a right side view thereof, the left side view being a mirror image; and,

FIG. 4 is a top view thereof.

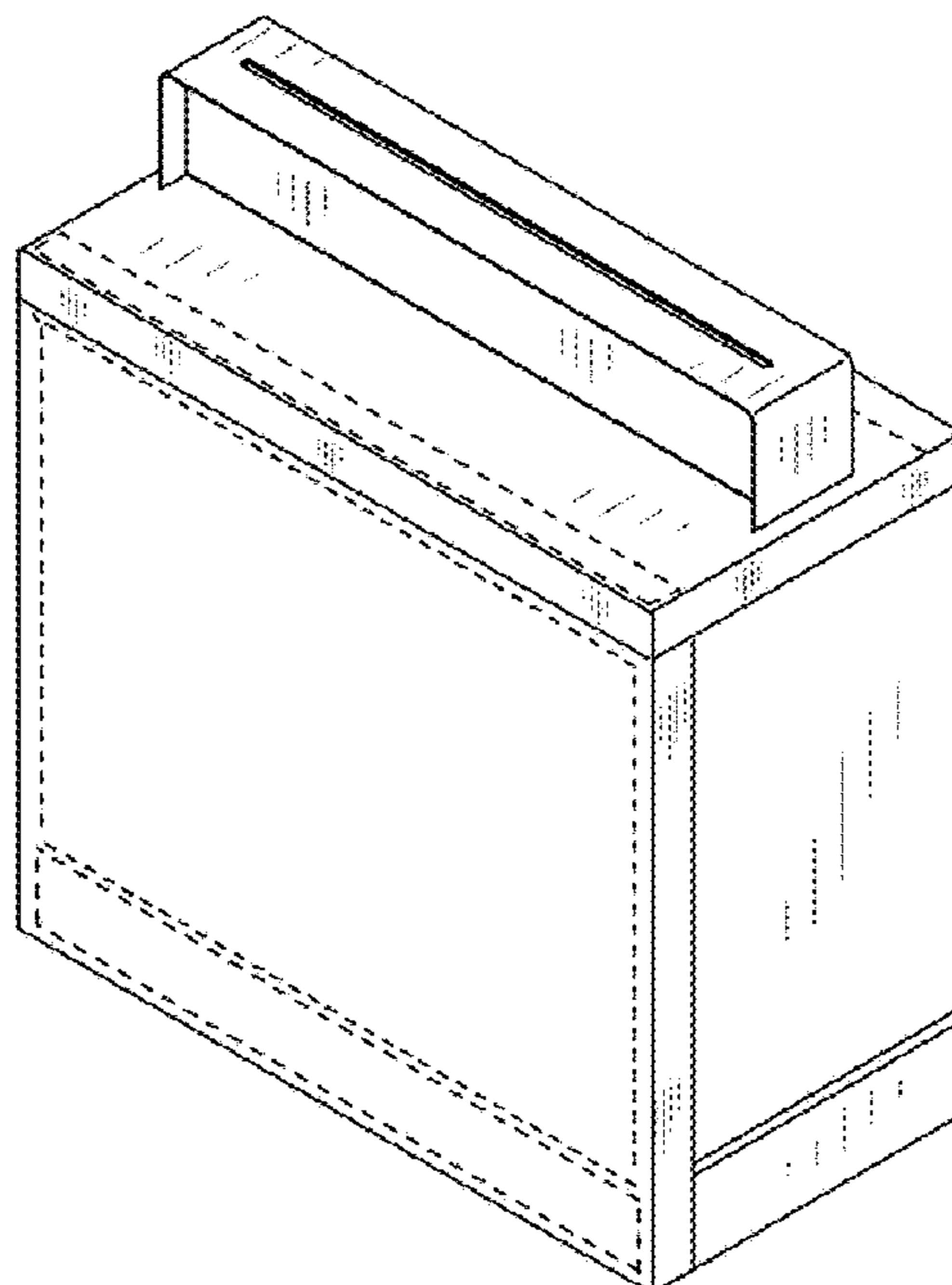
The broken lines shown in the drawings are included for purposes of illustrating portions of the display unit and form no part of the claimed design.

(56) **References Cited**

U.S. PATENT DOCUMENTS

D538,067 S *	3/2007	Raile .....	D6/682
D674,379 S *	1/2013	Suzuki .....	D14/239

**1 Claim, 2 Drawing Sheets**



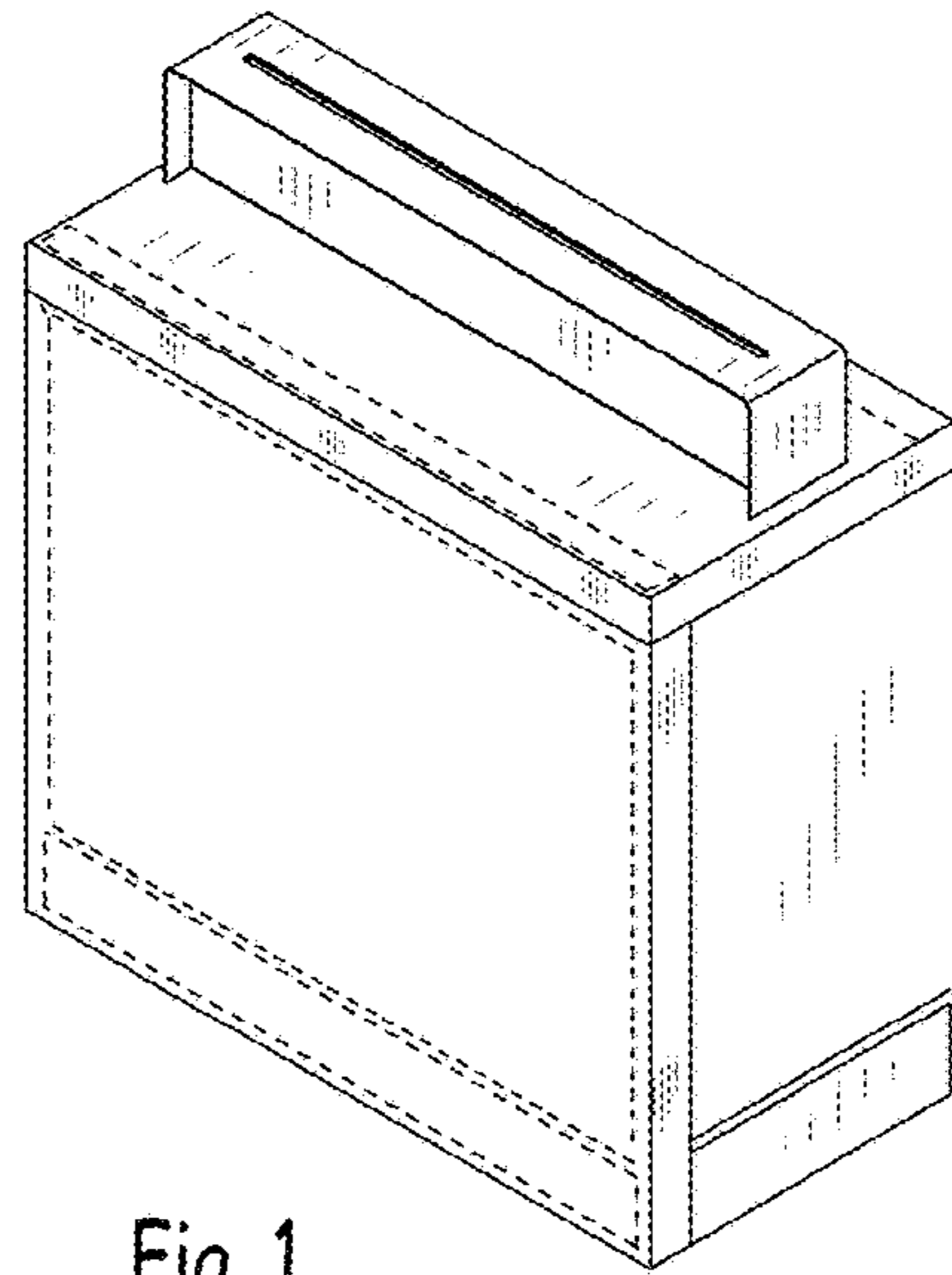


Fig. 1

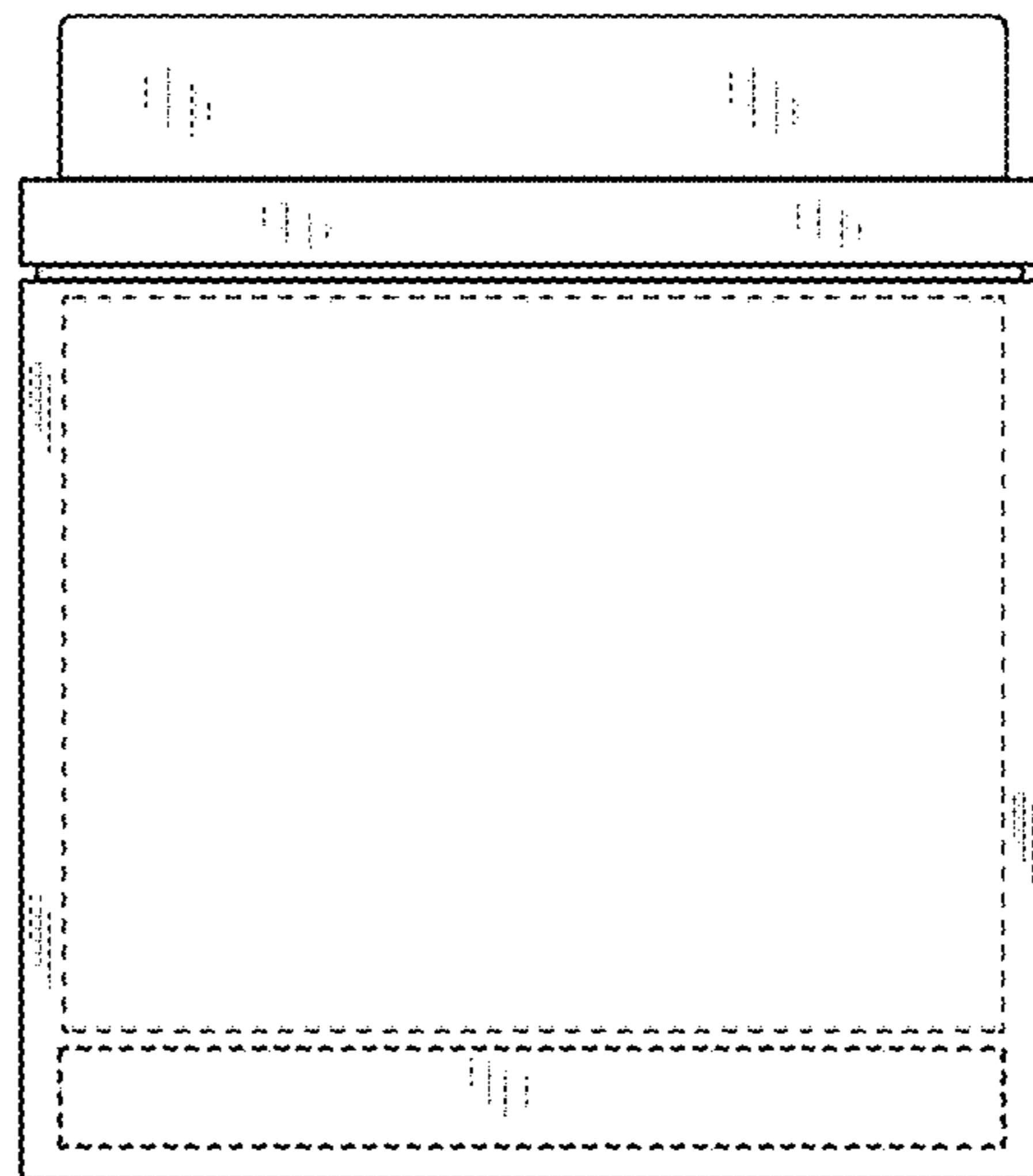


Fig. 2

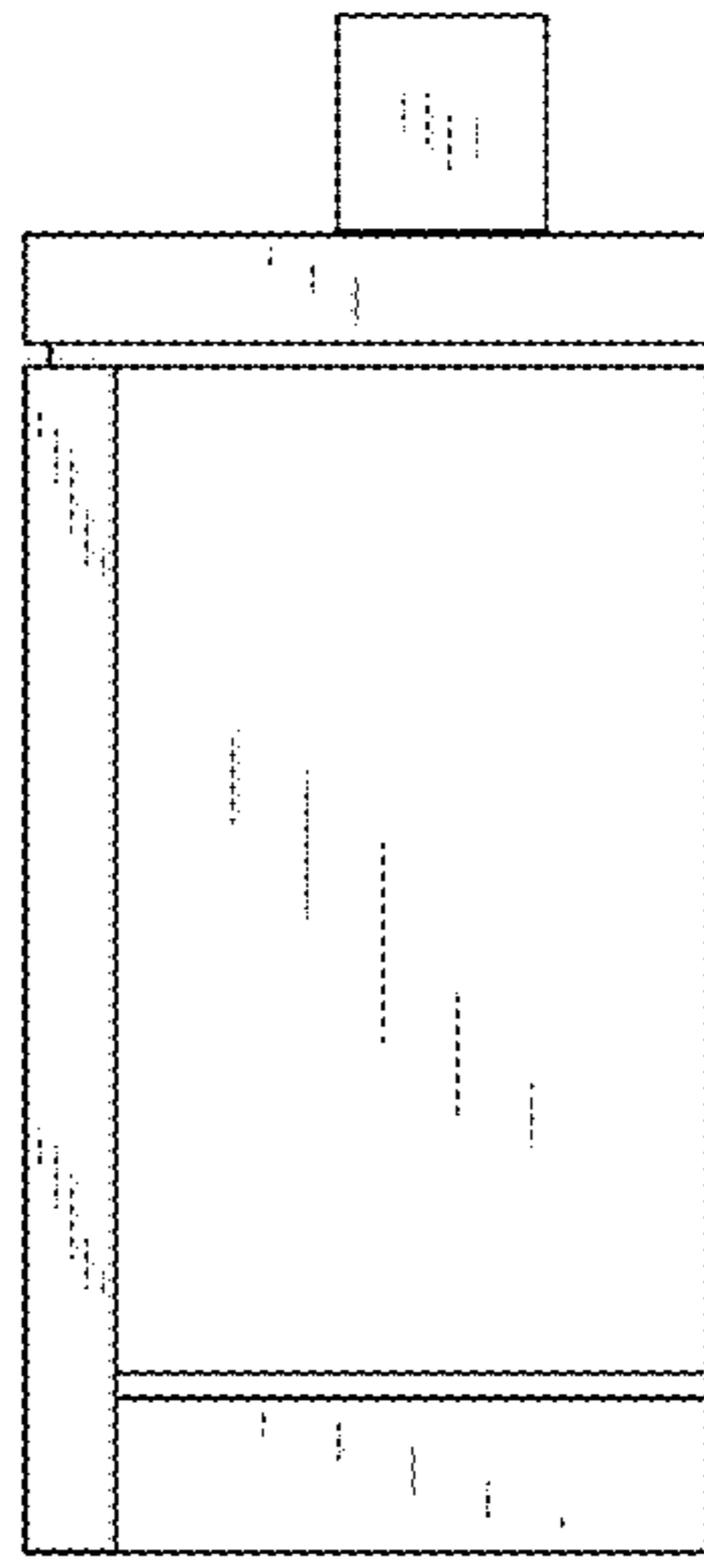


Fig. 3

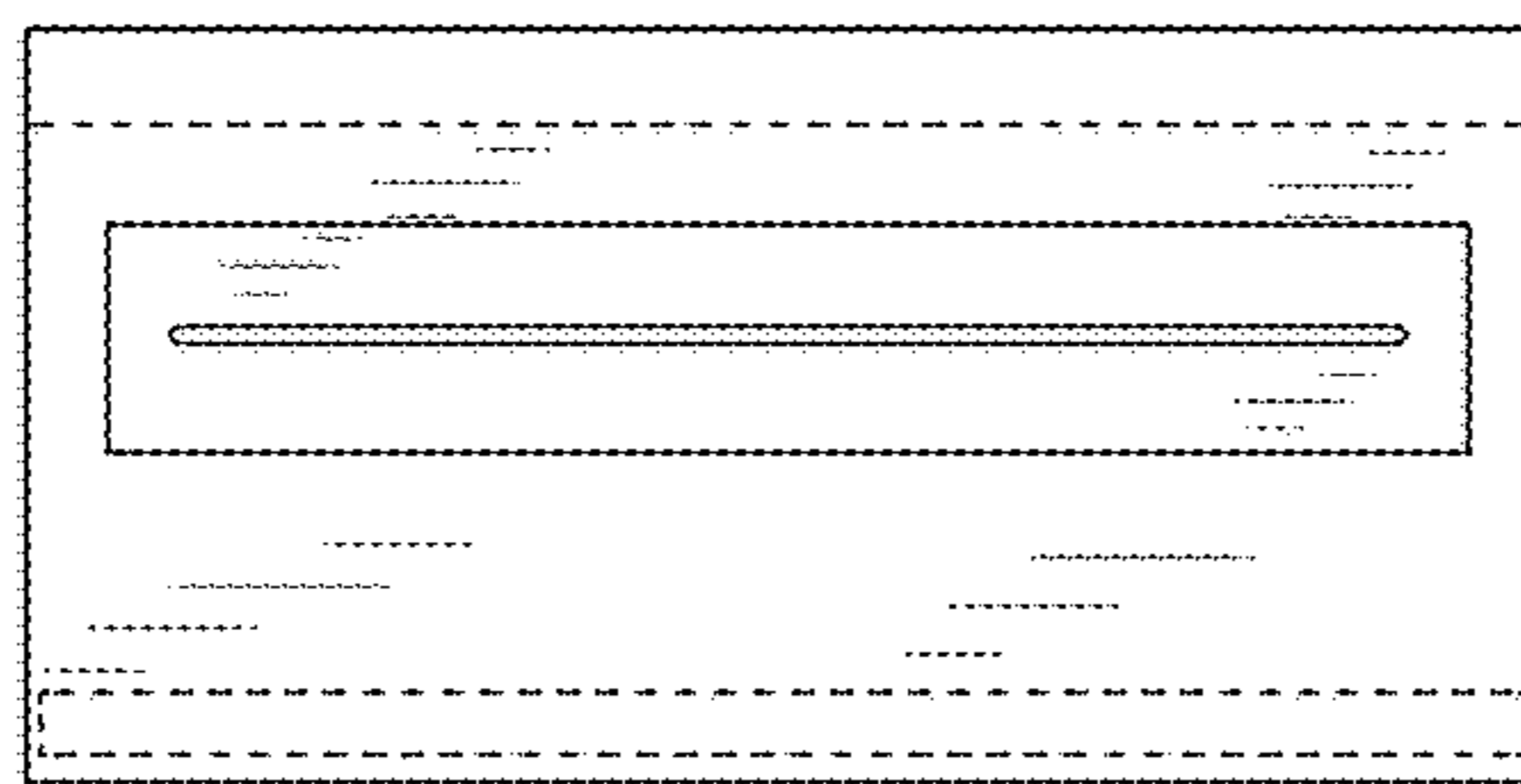


Fig. 4