



US00D861391S

(12) **United States Design Patent** (10) **Patent No.:** **US D861,391 S**  
**Choi** (45) **Date of Patent:** **\*\* \*Oct. 1, 2019**

- (54) **TABLETOP VANITY**
- (71) Applicant: **Impressions Vanity Company**, Tustin, CA (US)
- (72) Inventor: **Dong Choi**, Temple City, CA (US)
- (73) Assignee: **Impressions Vanity Company**, Tustin, CA (US)
- (\*) Notice: This patent is subject to a terminal disclaimer.
- (\*\*) Term: **15 Years**
- (21) Appl. No.: **29/654,371**
- (22) Filed: **Jun. 22, 2018**

D524,059	S	*	7/2006	Mohundro	.....	D6/300
D596,238	S	*	7/2009	Huang	.....	D20/29
D651,812	S	*	1/2012	Lee	.....	D14/371
8,727,559	B2	*	5/2014	Boyer	.....	A47B 67/005 312/227
D708,459	S	*	7/2014	Heirakuji	.....	D6/675
D740,594	S	*	10/2015	Trinh	.....	A47F 7/286 D6/672
D741,091	S	*	10/2015	Tio	.....	D6/675
D769,021	S	*	10/2016	Green	.....	D6/560
D777,477	S	*	1/2017	Germany	.....	D6/672
D779,217	S	*	2/2017	Zhang	.....	D6/308
D779,240	S	*	2/2017	Tio	.....	D6/675
D779,835	S	*	2/2017	Zhang	.....	D6/300
D785,982	S	*	5/2017	Brown	.....	D6/675.3
D785,994	S	*	5/2017	Brown	.....	D6/675.3
D807,086	S	*	1/2018	Tio	.....	D6/675
D821,117	S	*	6/2018	Gorman	.....	D6/661
D821,119	S	*	6/2018	Choi	.....	D6/675
D824,702	S	*	8/2018	Tio	.....	D6/675

\* cited by examiner

**Related U.S. Application Data**

- (63) Continuation-in-part of application No. 29/586,574, filed on Dec. 5, 2016, now Pat. No. Des. 821,119.
- (51) **LOC (12) Cl.** ..... **06-06**
- (52) **U.S. Cl.**  
USPC ..... **D6/675**
- (58) **Field of Classification Search**  
USPC ..... D6/657, 663, 664, 664.1, 672, 675, 702, D6/682, 704  
CPC ..... A47B 2200/12; A47F 3/00; A47F 3/005; A47F 5/0043; A47F 3/0439  
See application file for complete search history.

*Primary Examiner* — Kelley A Donnelly  
(74) *Attorney, Agent, or Firm* — Intellectual Property Law Group LLP

(57) **CLAIM**

The ornamental design for a tabletop vanity, as shown and described.

**DESCRIPTION**

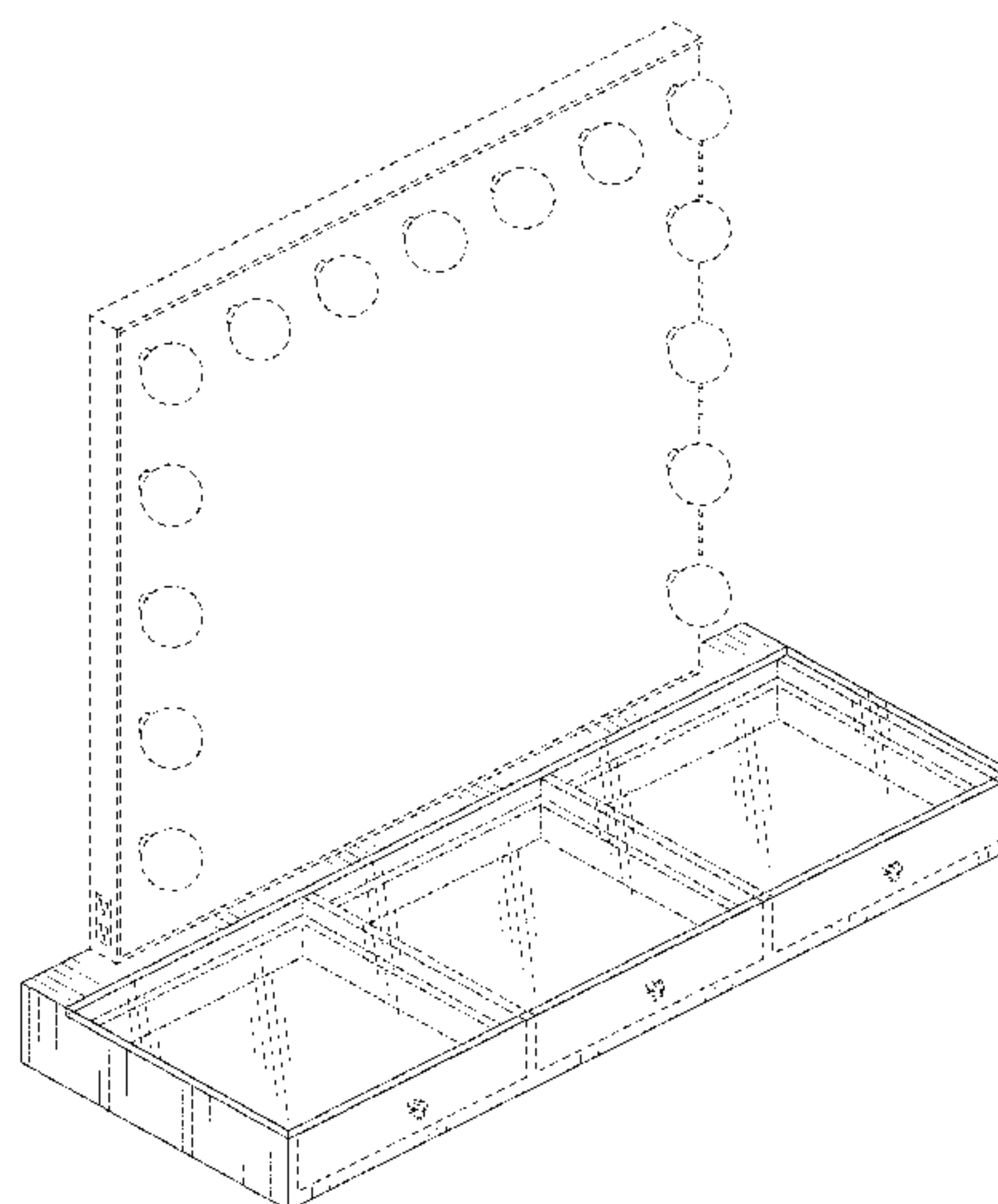
FIG. 1 is a front perspective view of a tabletop vanity, embodying my new design;  
FIG. 2 is a front view thereof;  
FIG. 3 is a left side view thereof; the right side view being a mirror image thereof; and,  
FIG. 4 is a top plan view thereof.  
The broken lines are included for showing features that form no part of the claim.

(56) **References Cited**

**U.S. PATENT DOCUMENTS**

D439,094	S	*	3/2001	Melillo	.....	D6/561
D464,206	S	*	10/2002	Moncourtois	.....	D6/308
6,533,433	B1	*	3/2003	Stark	.....	A47G 1/24 362/135
D497,485	S	*	10/2004	Resultan	.....	D6/300

**1 Claim, 3 Drawing Sheets**



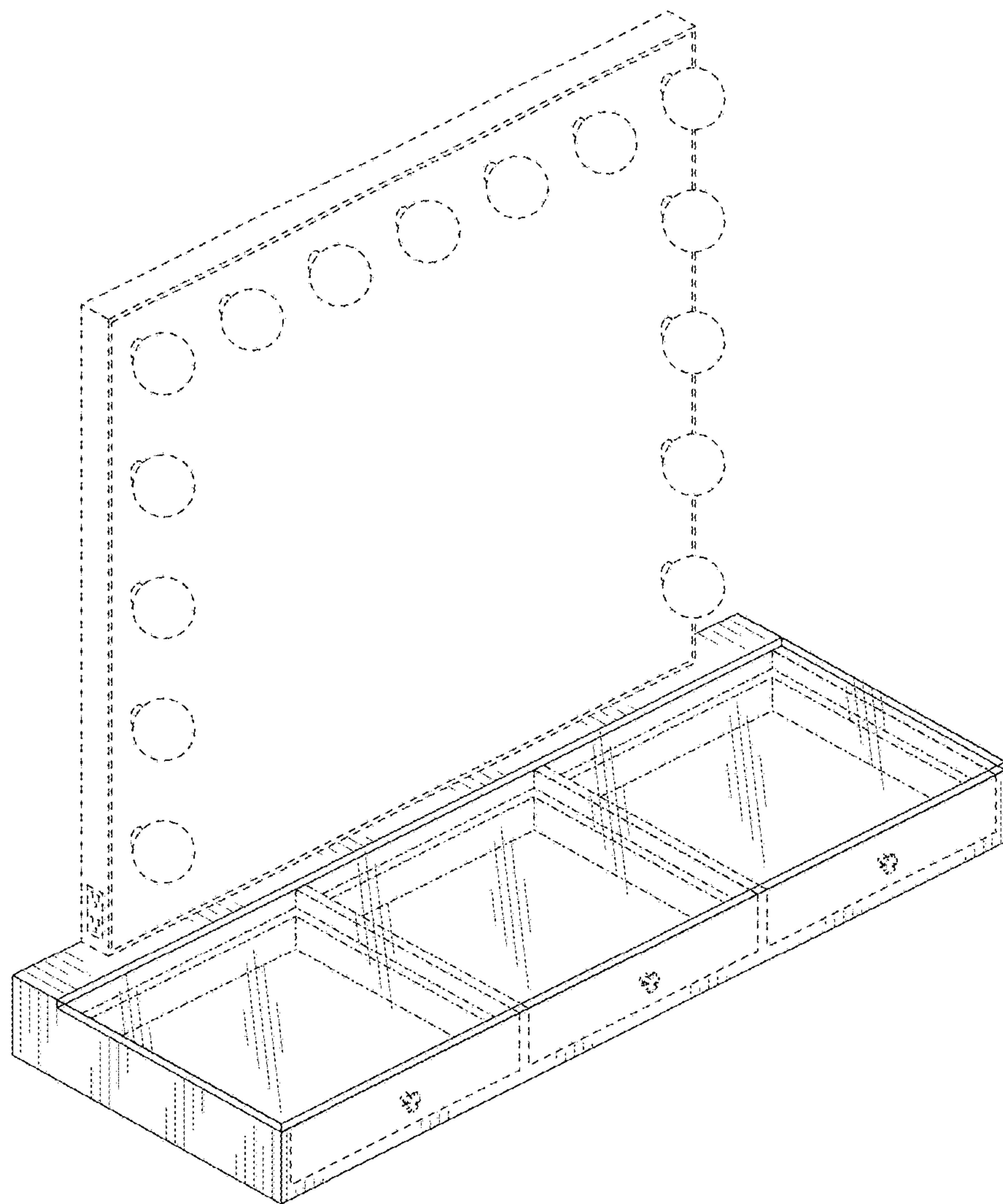


FIG. 1

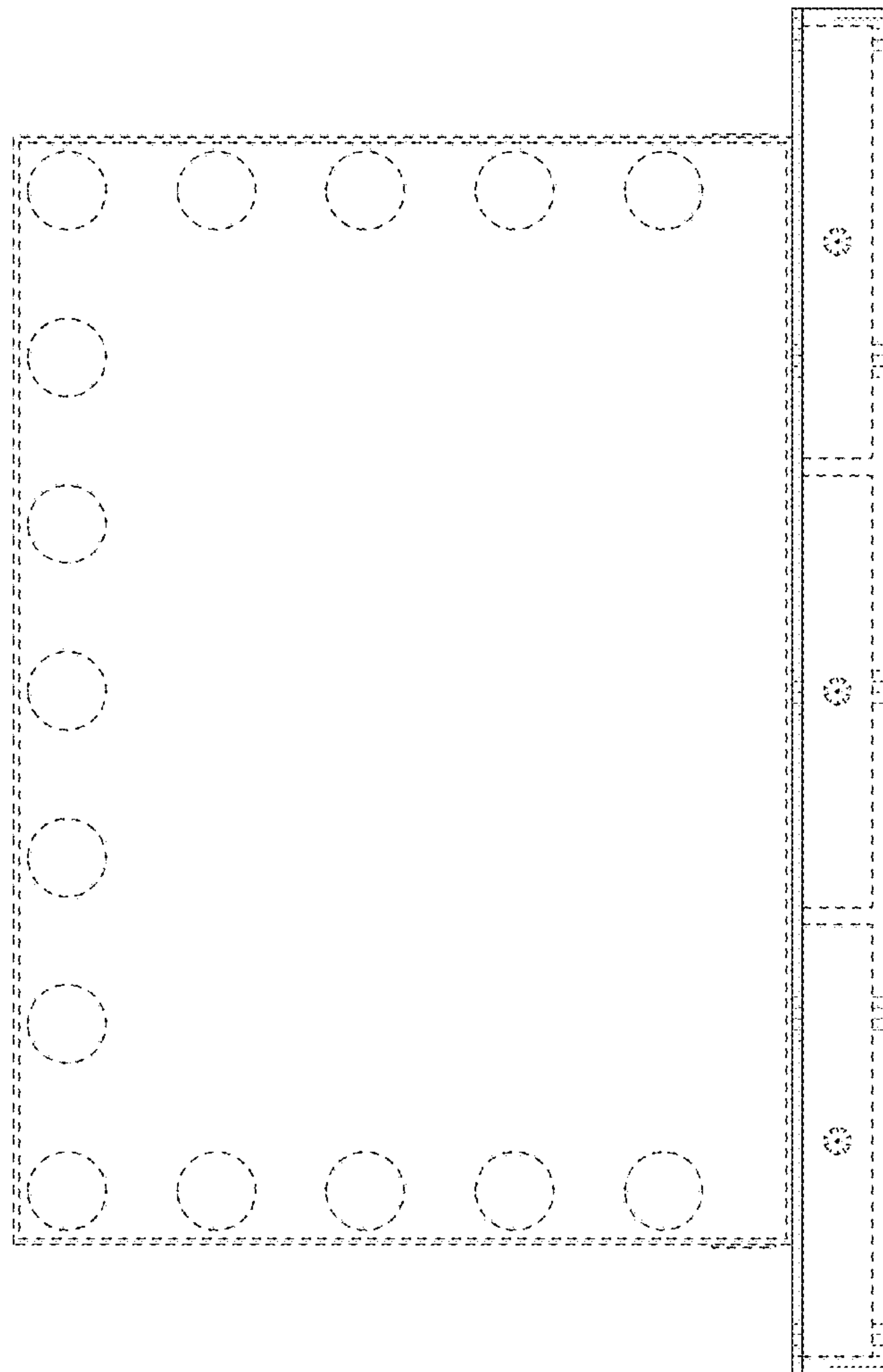


FIG. 2

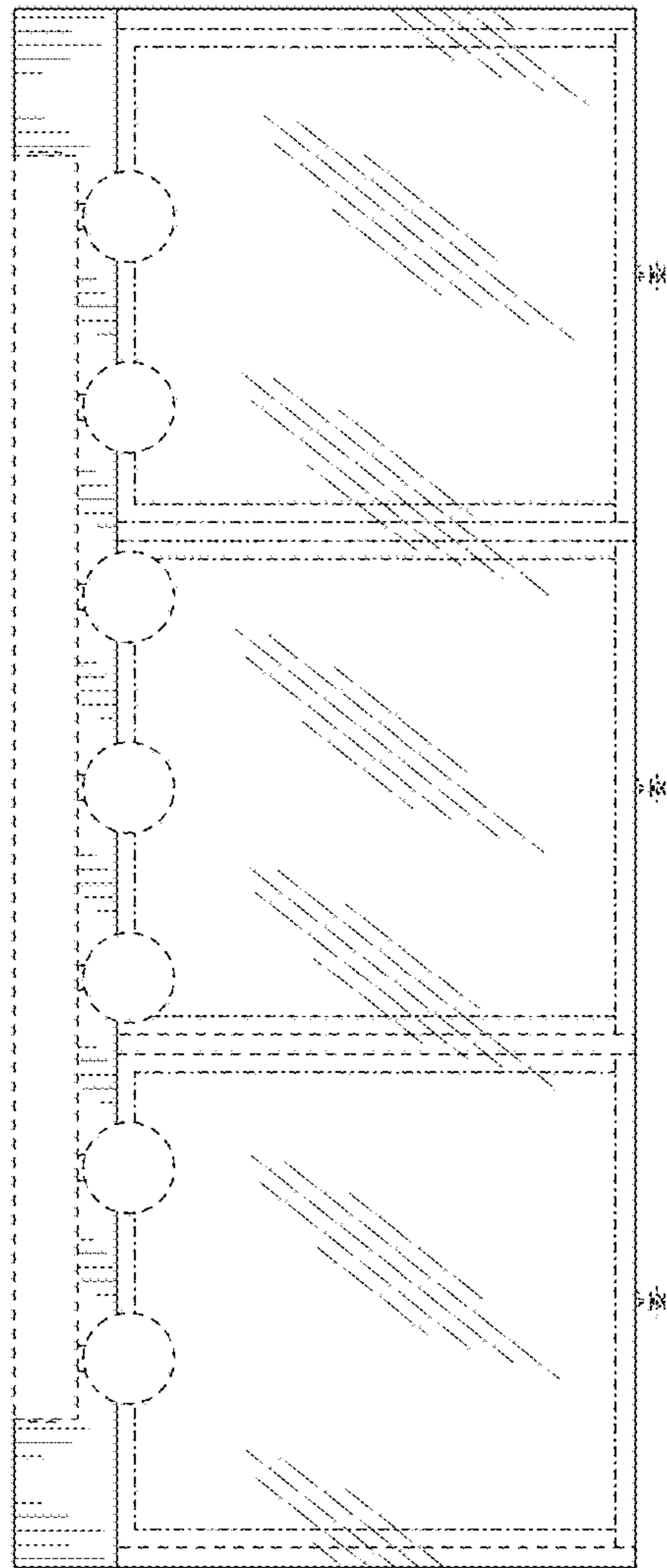


FIG. 4

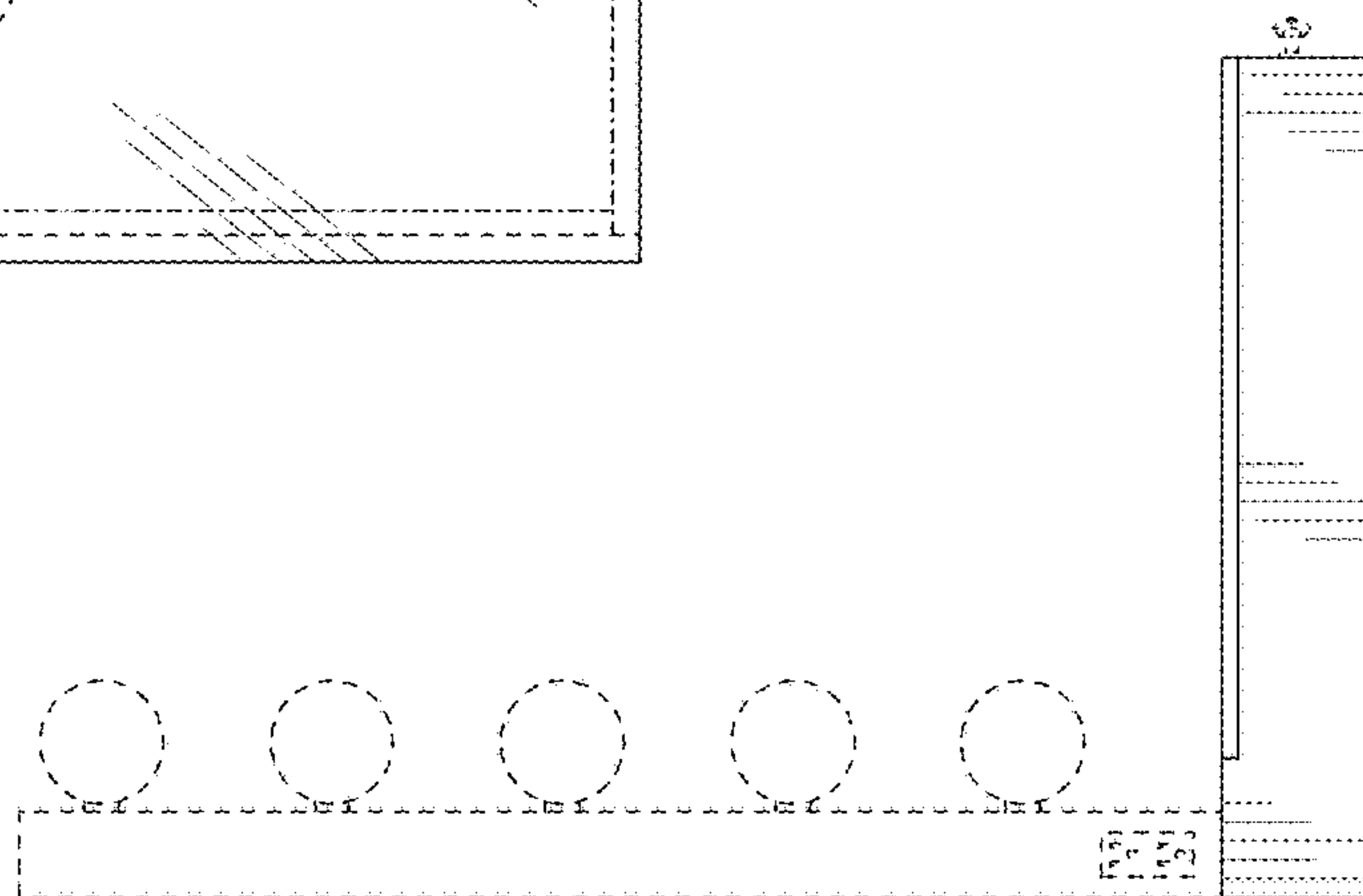


FIG. 3