



US00D861390S

(12) **United States Design Patent** (10) **Patent No.:** **US D861,390 S**
Nichols et al. (45) **Date of Patent:** **** Oct. 1, 2019**

(54) **MERCHANDISING DISPLAY**
 (71) Applicant: **DELTA FAUCET COMPANY**,
 Indianapolis, IN (US)
 (72) Inventors: **Wendy Nichols**, New Palestine, IN
 (US); **Aaron Conk**, Sheridan, IN (US);
Eric Black, Indianapolis, IN (US);
Kathleen A. Carron, Naperville, IL
 (US); **Adam Licklitter**, Greenwood, IN
 (US); **Mitchell A. Koziol**, Lake Forest,
 IL (US)

(73) Assignee: **DELTA FAUCET COMPANY**,
 Indianapolis, IN (US)

(**) Term: **15 Years**

(21) Appl. No.: **29/624,472**

(22) Filed: **Nov. 1, 2017**

(51) **LOC (12) Cl.** **06-04**

(52) **U.S. Cl.**
 USPC **D6/672**

(58) **Field of Classification Search**
 USPC D6/672, 675, 675.1, 675.2, 675.3, 675.5,
 D6/679, 680, 680.1, 680.2, 680.3, 681,
 D6/681.2, 681.3, 705.6; D11/131, 132
 CPC A47B 43/04; A47B 47/0008; A47B 55/02;
 A47F 3/06; A47F 5/0031; A47F 5/08;
 A47F 5/0838; A47F 5/14; A47F 4/143;
 A47F 7/148; A47G 1/065; A47G 1/12;
 B44C 5/04

See application file for complete search history.

(56) **References Cited**

U.S. PATENT DOCUMENTS

D296,808 S * 7/1988 Urbanc D21/676
 D310,848 S * 9/1990 Perbix D20/18
 D329,903 S * 9/1992 Craig D25/62

D342,435 S * 12/1993 Boyle D6/548
 D361,897 S * 9/1995 Jackson D6/300
 D366,798 S * 2/1996 Messersmith D21/356
 D368,185 S * 3/1996 Sawyer D34/5
 D370,698 S * 6/1996 Messersmith D20/42
 5,622,272 A * 4/1997 Orlando, Jr. A47B 57/04
 211/150
 D441,243 S * 5/2001 Williams D6/570
 D477,934 S * 8/2003 Goossens D6/680.2
 D525,061 S * 7/2006 Abdi D6/514
 7,086,190 B2 * 8/2006 Voluckas G09F 7/20
 248/331
 D528,804 S * 9/2006 Boergens D6/301
 D533,726 S * 12/2006 Hutchison D6/301
 D559,014 S * 1/2008 Mangano D6/675.1
 D643,329 S * 8/2011 Nitta D11/132
 D644,955 S * 9/2011 Barton, III D11/132
 D693,608 S * 11/2013 Cheng D6/675.1
 8,636,156 B2 * 1/2014 Malik A47B 57/04
 211/106
 D732,299 S * 6/2015 Swick A47G 1/065
 D6/301

(Continued)

Primary Examiner — John Windmuller

Assistant Examiner — Steven J Czyz

(74) *Attorney, Agent, or Firm* — Edgar A. Zarins; Nirav
 D. Parikh

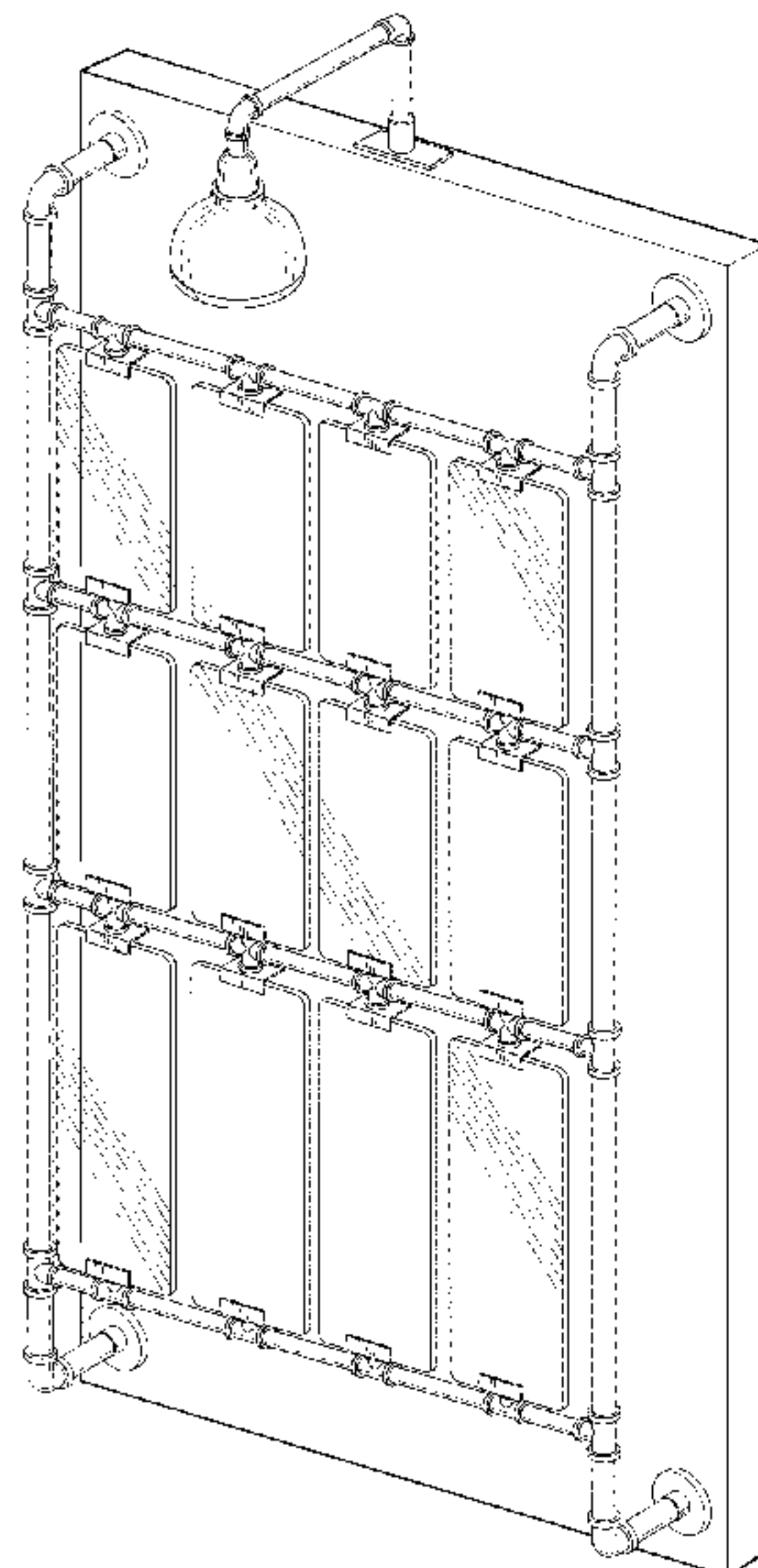
(57) **CLAIM**

The ornamental design for a merchandising display, as
 shown and described.

DESCRIPTION

FIG. 1 is a perspective view of a merchandising display
 showing our new design;
 FIG. 2 is a front elevational view thereof;
 FIG. 3 is a top plan view thereof;
 FIG. 4 is a left side view thereof, the opposite side being a
 mirror image of the side shown;
 FIG. 5 is a rear view thereof; and,
 FIG. 6 is a bottom view thereof.

1 Claim, 3 Drawing Sheets



(56)

References Cited

U.S. PATENT DOCUMENTS

D744,370 S * 12/2015 Greczanik D11/132
D755,669 S * 5/2016 Greczanik D11/132
D768,408 S * 10/2016 Blaine, III D6/570
D810,477 S * 2/2018 Turner D6/675.5

* cited by examiner

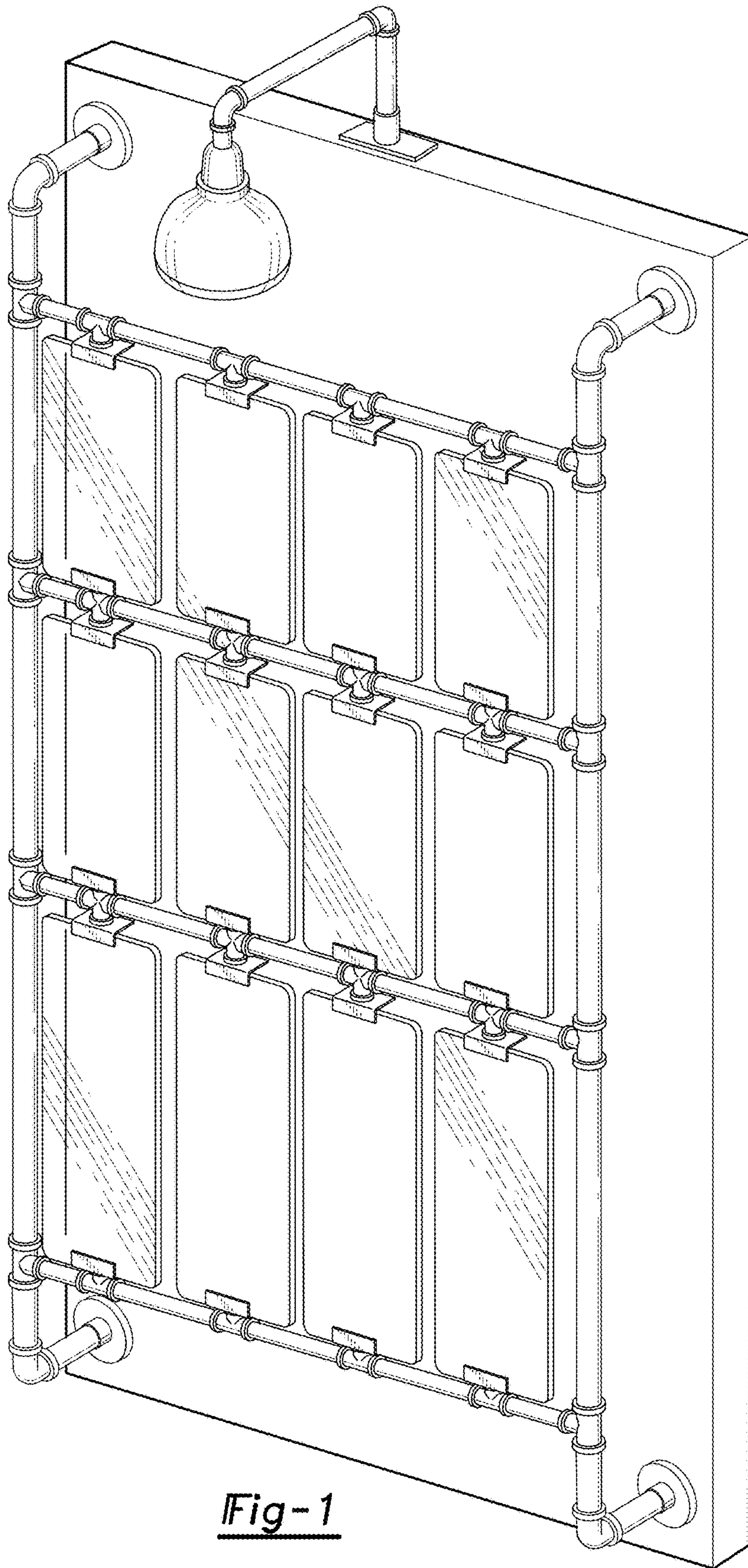


Fig-1

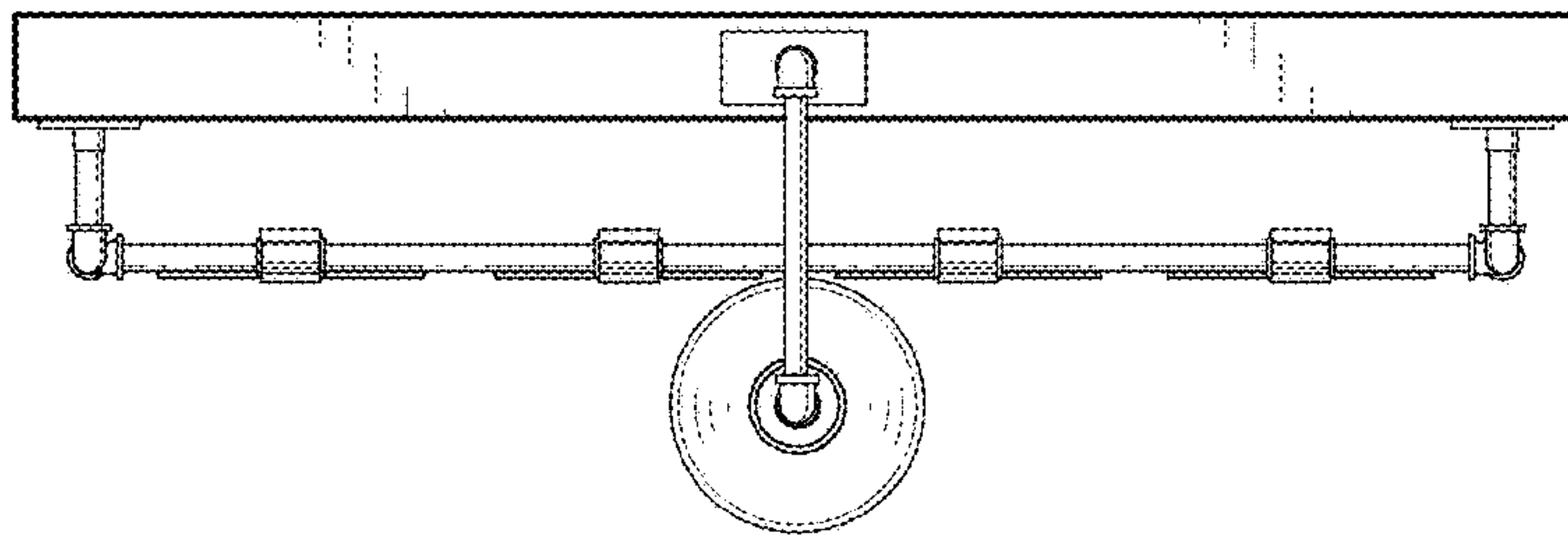


Fig-3

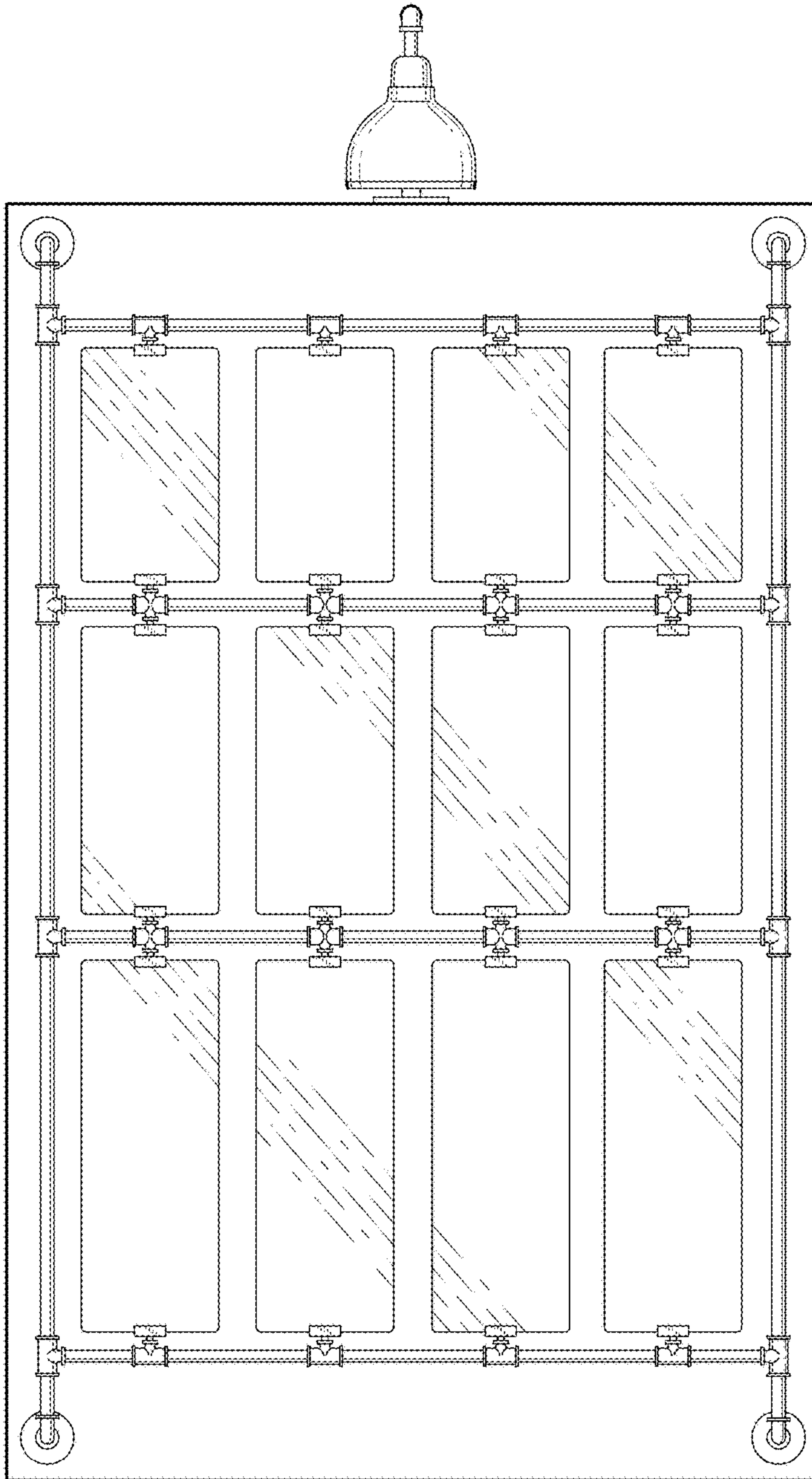


Fig-2

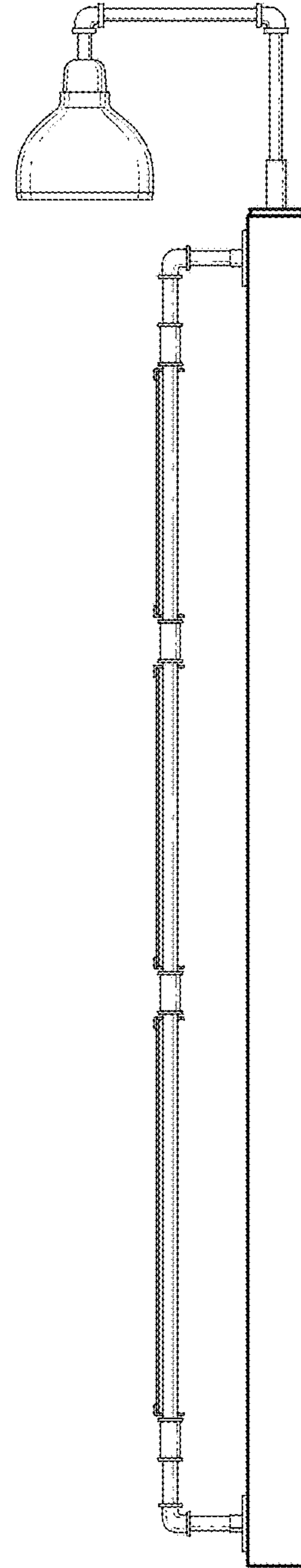


Fig-4

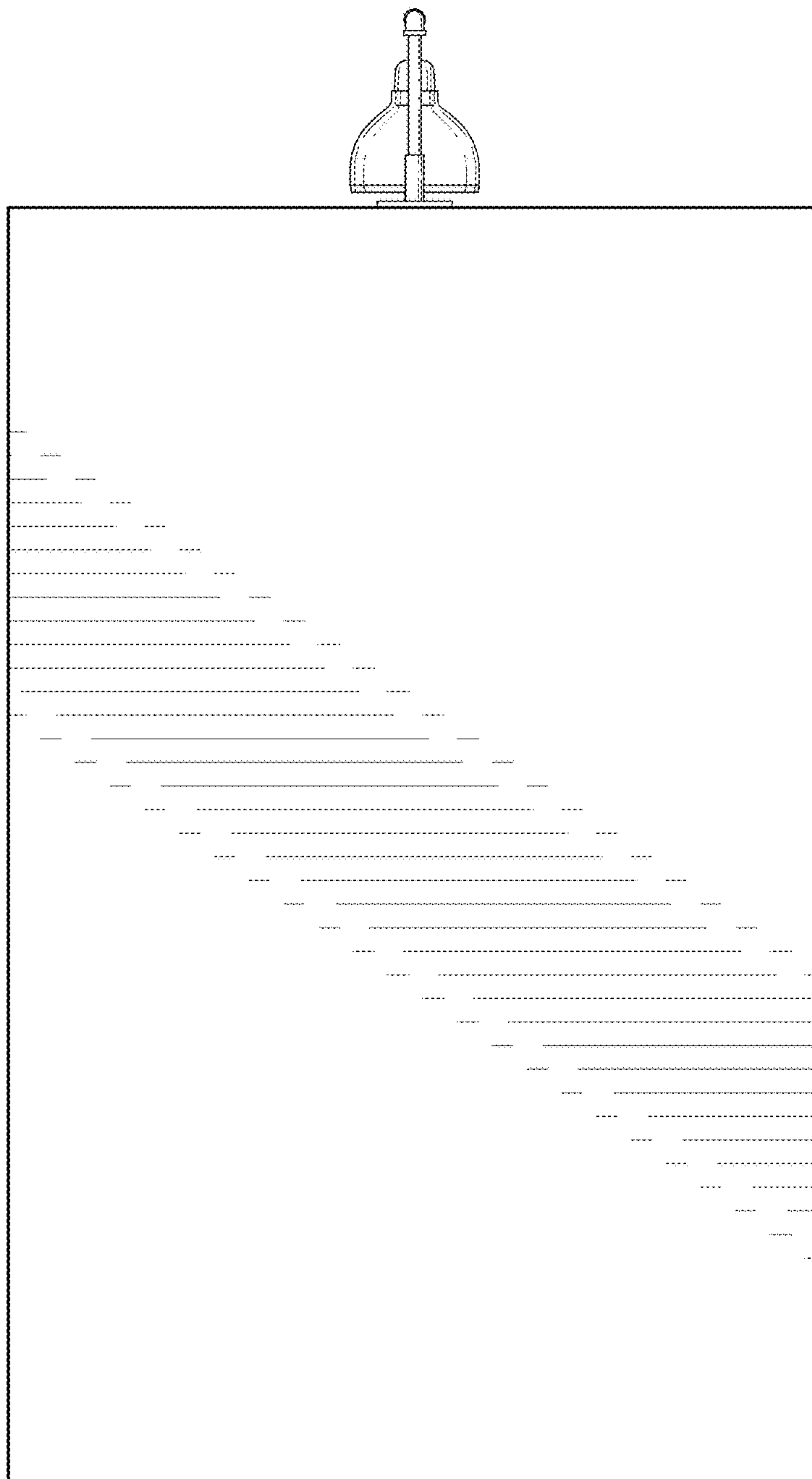


Fig-5

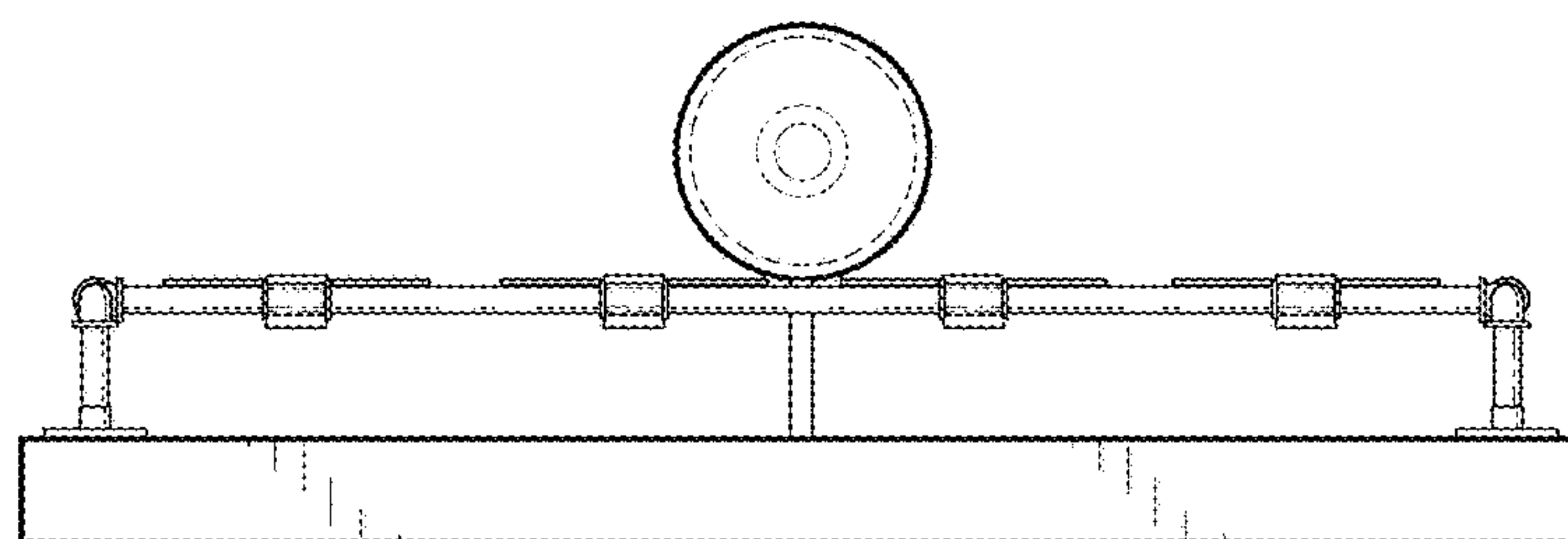


Fig-6