



US00D861380S

(12) **United States Design Patent** (10) **Patent No.:** **US D861,380 S**  
**Citterio** (45) **Date of Patent:** **\*\* Oct. 1, 2019**

(54) **RECONFIGURABLE TABLE**  
(71) Applicant: **Vitra Patente AG**, Birsfelden (CH)  
(72) Inventor: **Antonio Citterio**, Milan (IT)  
(73) Assignee: **Vitra Patente AG** (CH)  
(\*\*) Term: **15 Years**

7,735,433 B1 \* 6/2010 Albright ..... H02G 3/386  
108/153.1  
D642,827 S \* 8/2011 Poost ..... D6/644  
D719,379 S \* 12/2014 Tsuchiyama ..... D6/656  
D745,294 S \* 12/2015 Murray ..... D6/644  
D776,961 S \* 1/2017 Yamamoto ..... D6/656.16  
2010/0326329 A1 \* 12/2010 Kiekhaefer ..... A47B 9/14  
108/25

(21) Appl. No.: **29/585,683**  
(22) Filed: **Nov. 28, 2016**

(30) **Foreign Application Priority Data**

Sep. 29, 2016 (WO) ..... DM/093013  
(51) **LOC (12) Cl.** ..... **06-03**  
(52) **U.S. Cl.**  
USPC ..... **D6/643**  
(58) **Field of Classification Search**  
USPC ..... D6/641, 642, 643, 648, 686, 689, 691.2,  
D6/692, 700  
CPC .. A47B 7/00; A47B 13/00; A47B 9/14; A47B  
2021/0335; A47B 21/045; A47B 3/00;  
A47B 5/00; A47B 5/02; A47B 5/06  
See application file for complete search history.

(56) **References Cited**

**U.S. PATENT DOCUMENTS**  
D172,098 S \* 5/1954 Knoll ..... D6/644  
D299,798 S \* 2/1989 Sottsas ..... D6/656.16  
5,311,826 A \* 5/1994 Baggiani ..... A47B 1/056  
108/166  
5,544,593 A \* 8/1996 Canfield ..... A47B 9/14  
108/110  
6,283,043 B1 \* 9/2001 Stern ..... A47B 13/06  
108/50.02  
6,564,723 B2 \* 5/2003 Shapton ..... A47B 5/06  
108/50.02  
D596,876 S \* 7/2009 Oshinomi ..... D6/644

**OTHER PUBLICATIONS**

“Tyde”. Found online Nov. 2, 2018 at Vitra.com. Product dated 2012. Retrieved from <https://www.vitra.com/en-gb/product/tyde>.  
“Ronan + erwan bouroullec: tyde adjustable tables for vitra” Found online Nov. 9, 2018 at designboom.com. Page dated Aug. 16, 2013. Retrieved from <https://www.designboom.com/design/ronan-erwan-bouroullec-tyde-adjustable-tables-for-vitra/> (Year: 2013).  
“Animate Spec Guides”. Found online Nov. 2, 2018 at JRBStudio.com. Page dated Feb. 2016. Retrieved from [http://www.jrbstudio.com/docs/default-source/resource-documents/jrb\\_animatespecguide\\_feb2013.pdf?sfvrsn=8](http://www.jrbstudio.com/docs/default-source/resource-documents/jrb_animatespecguide_feb2013.pdf?sfvrsn=8) (Year: 2016).

\* cited by examiner

*Primary Examiner* — Kendra Leslie Hamilton  
(74) *Attorney, Agent, or Firm* — Eric L. Sopher; Dentons US LLP

(57) **CLAIM**

The ornamental design of a reconfigurable table, as shown and described.

**DESCRIPTION**

FIG. 1 is a front perspective-view of a reconfigurable table; FIG. 2 is a front view thereof, the back view being a mirror image of the front view; FIG. 3 is a left-side view thereof, the right-side view being a mirror image of the left-side view; and, FIG. 4 is a top view thereof.

**1 Claim, 4 Drawing Sheets**



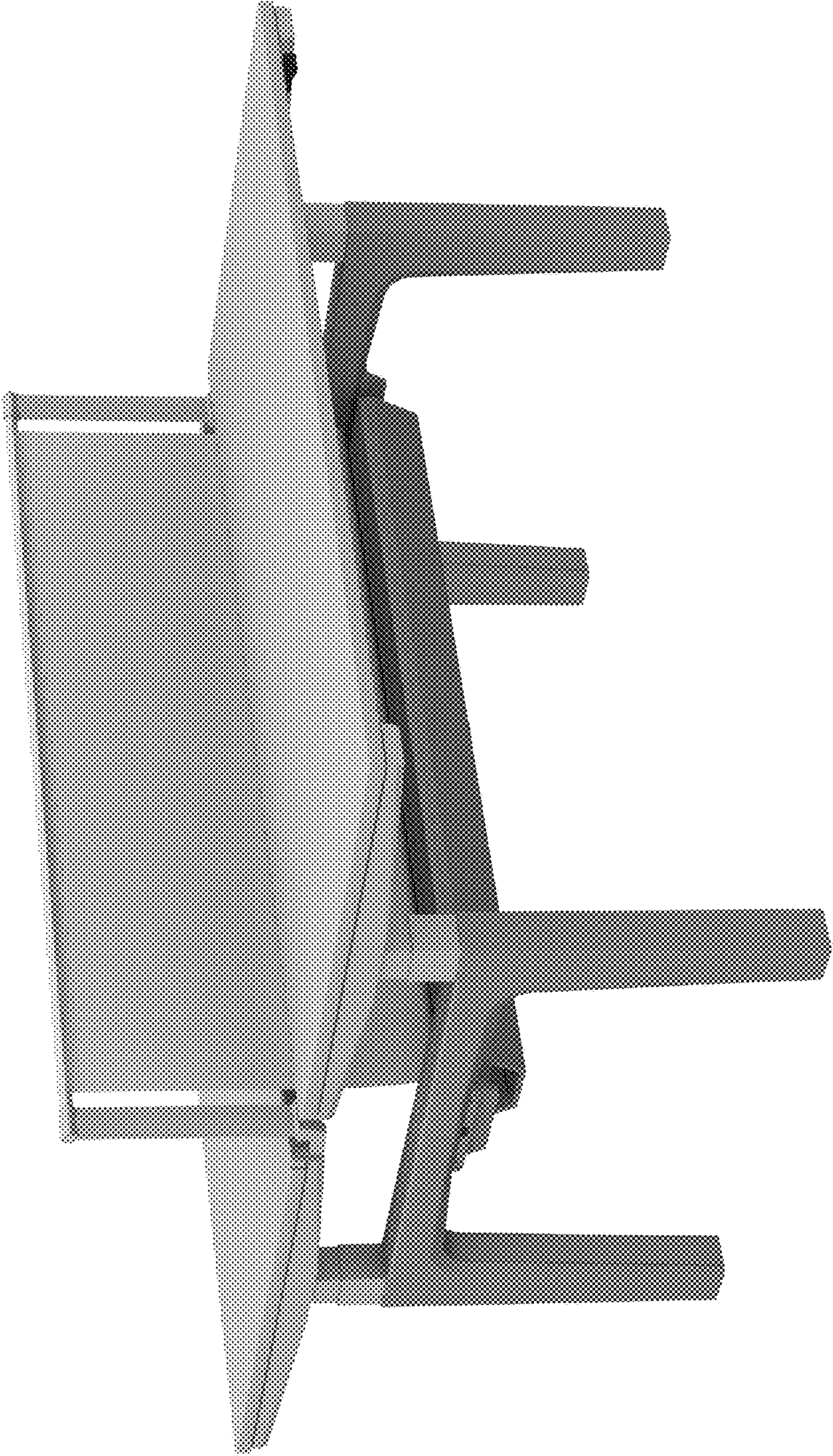


Fig. 1

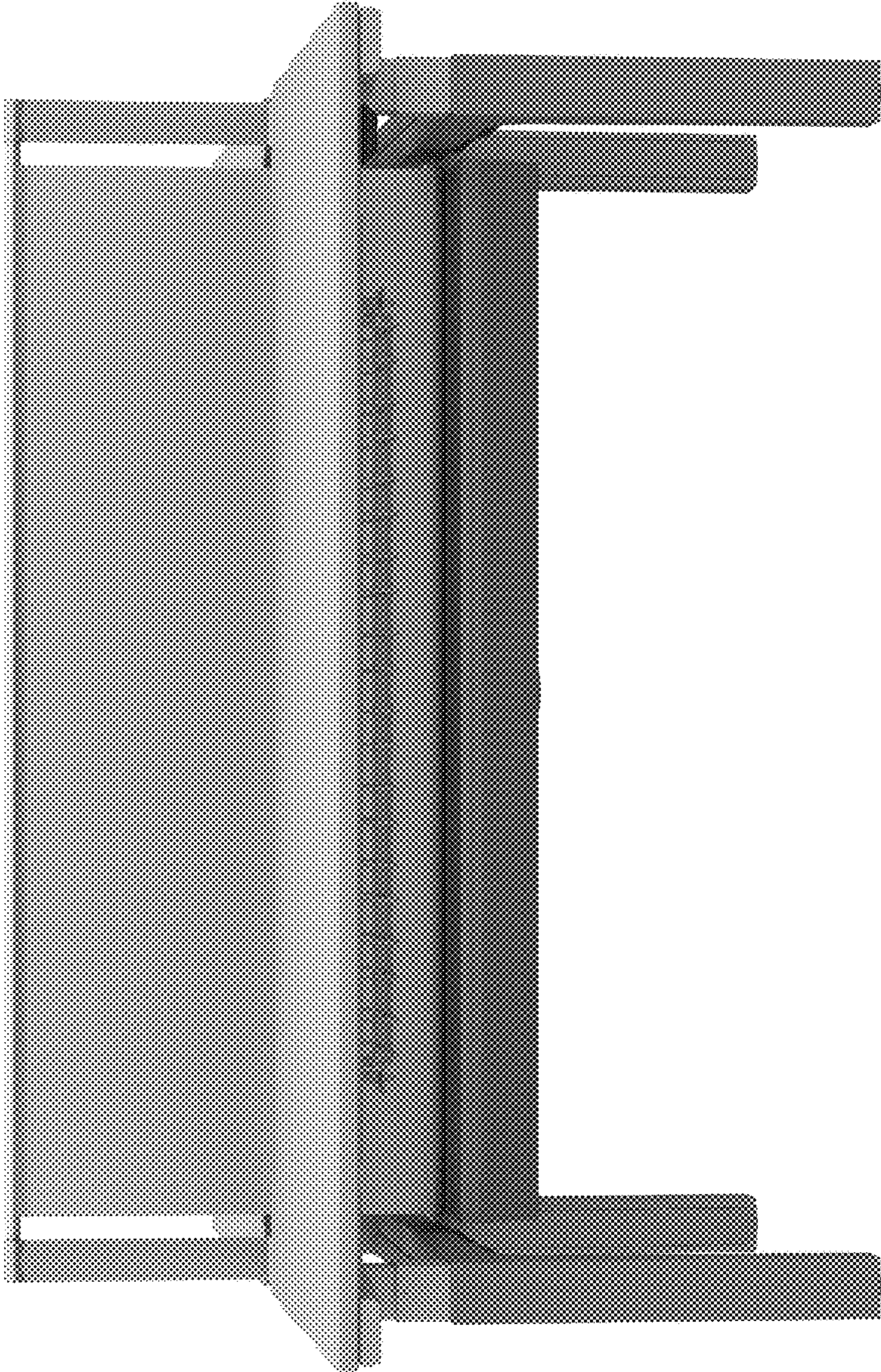
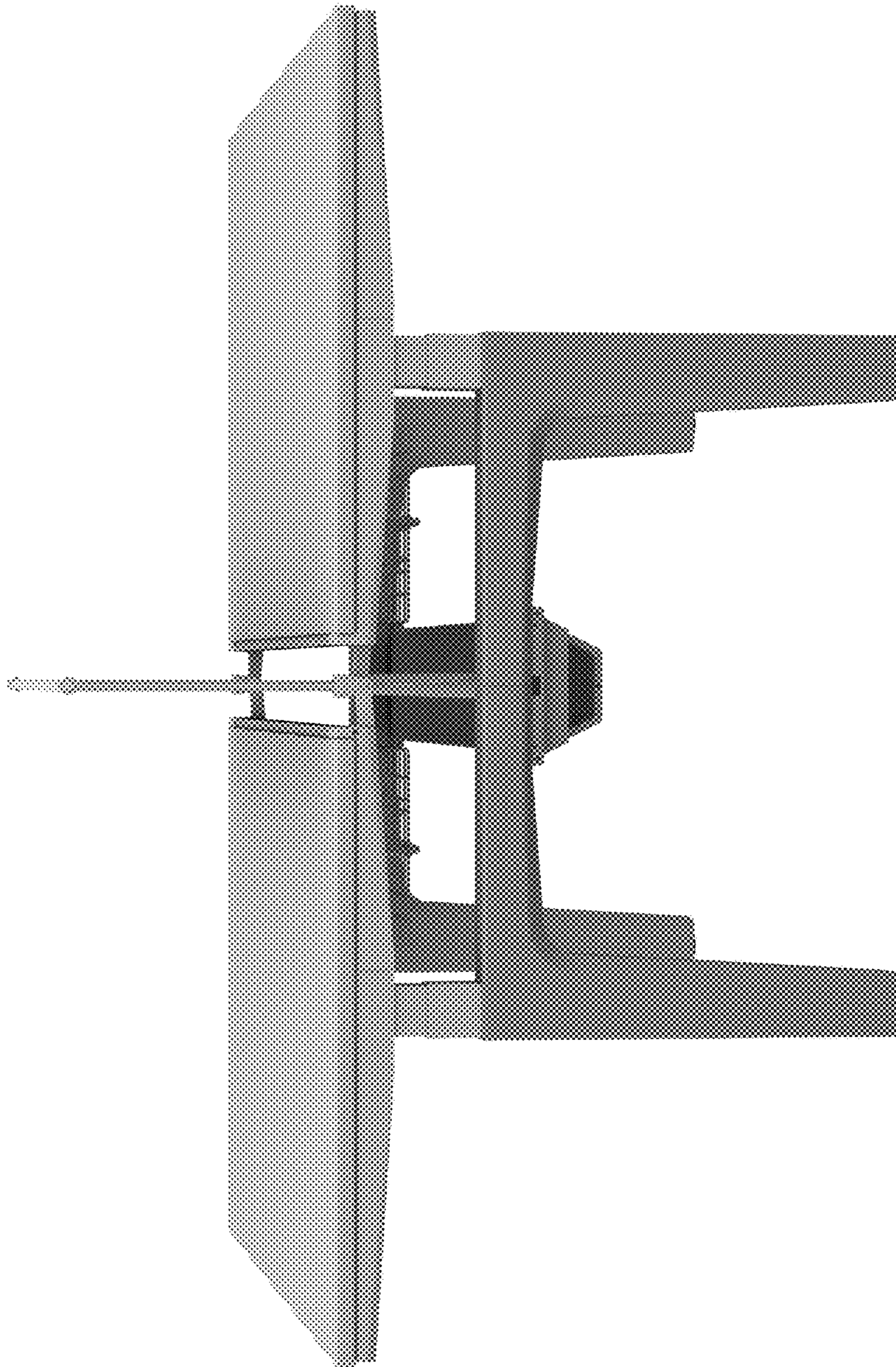
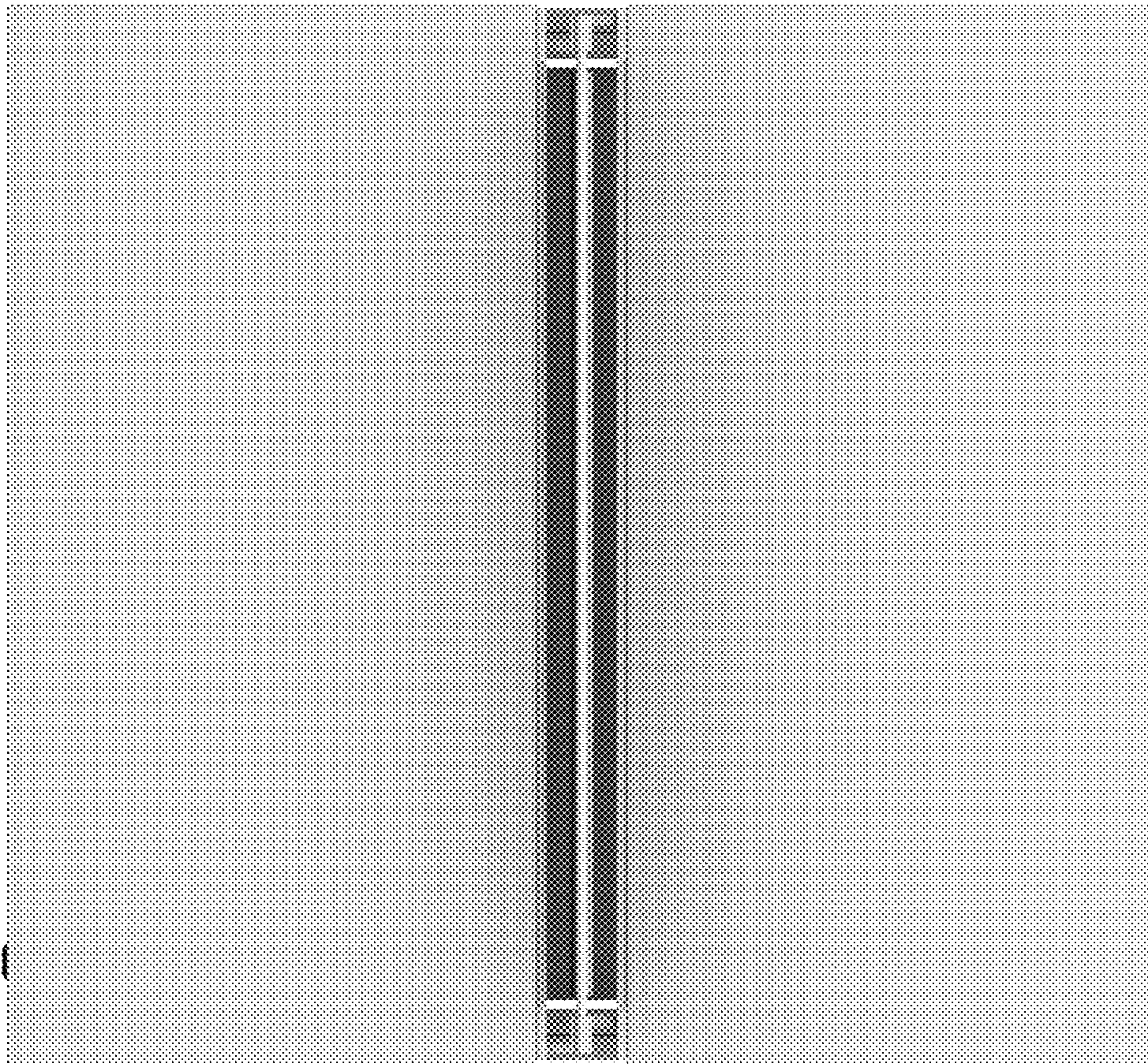


Fig. 2



**Fig. 3**



**Fig. 4**