



US00D861379S

(12) **United States Design Patent**
Citterio

(10) **Patent No.:** **US D861,379 S**
(45) **Date of Patent:** **** Oct. 1, 2019**

- (54) **TABLE**
- (71) Applicant: **Vitra Patente AG**, Birsfelden (CH)
- (72) Inventor: **Antonio Citterio**, Milan (IT)
- (73) Assignee: **Vitra Patente AG** (CH)
- (**) Term: **15 Years**
- (21) Appl. No.: **29/585,681**
- (22) Filed: **Nov. 28, 2016**
- (30) **Foreign Application Priority Data**
Sep. 29, 2016 (WO) DM/093013
- (51) **LOC (12) Cl.** **06-03**
- (52) **U.S. Cl.**
USPC **D6/643**
- (58) **Field of Classification Search**
USPC D6/641, 642, 643, 648, 686, 689, 691.2,
D6/692, 700
CPC .. A47B 7/00; A47B 13/00; A47B 9/14; A47B
2021/0335; A47B 21/045; A47B 3/00;
A47B 5/00; A47B 5/02; A47B 5/06
See application file for complete search history.

- (56) **References Cited**
U.S. PATENT DOCUMENTS
2,354,106 A * 7/1944 Cooper A47B 17/036
108/12
D299,798 S * 2/1989 Sottsas D6/656.16
5,913,272 A * 6/1999 Gutgsell A47B 3/00
108/132
6,564,723 B2 * 5/2003 Shapton A47B 5/06
108/50.02
D512,587 S * 12/2005 Frenkler D6/691.5
D526,811 S * 8/2006 Nicoletti D6/643

- D776,961 S * 1/2017 Yamamoto D6/656.16
- D788,494 S * 6/2017 Yamamoto D6/642
- 9,693,624 B2 * 7/2017 Mitchell A47B 5/00
- D819,371 S * 6/2018 Cao D6/656.16
- D828,704 S * 9/2018 Sakakibara D6/642
- 2011/0247530 A1 * 10/2011 Coffman A47B 3/0911
108/116
- 2017/0224102 A1 * 8/2017 Randolph A47B 21/02

OTHER PUBLICATIONS

“Office Fitness Height Adjustable Desk” Found online Nov. 9, 2018 at amazon.co.uk. Page dated Mar. 31, 2015. Retrieved from https://www.amazon.co.uk/Office-Fitness-Height-Adjustable-Desk/dp/B00J5QH7YM/ref=sr_1_3?ie=UTF8&qid=1541782489&sr=8-3&keywords=office+fitness+height+adjustable+desk (Year: 2015).*

“Jarvis Standing Desk”. Found online Nov. 2, 2018 at amazon.com. Page dated Aug. 27, 2018. Retrieved from https://www.amazon.com/Jarvis-Standing-Desk-Bamboo-Top/dp/B07GVQ6HW8/ref=sr_1_1_sspa?ie=UTF8&qid=1541524269&sr=8-1-spons&keywords=adjustable+desk+screen&psc=1 (Year: 2018).*

(Continued)

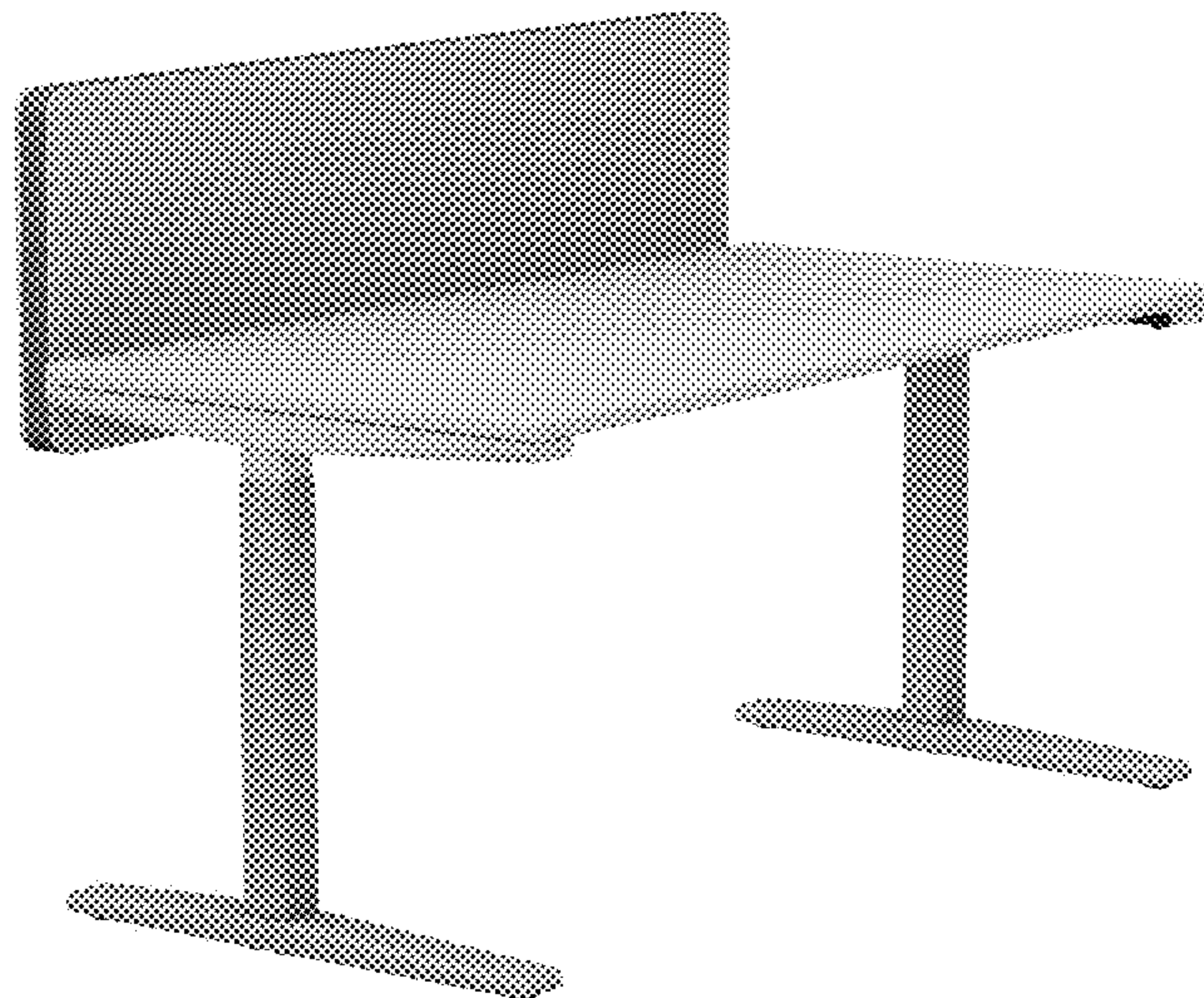
Primary Examiner — Kendra Leslie Hamilton
(74) *Attorney, Agent, or Firm* — Eric L. Sophir; Dentons US LLP

(57) **CLAIM**
The ornamental design of a table, as shown and described.

DESCRIPTION

FIG. 1 is a top, front, left perspective view of a table, showing my new design;
FIG. 2 is a top, front perspective view thereof;
FIG. 3 is a top, right perspective view thereof;
FIG. 4 is a top, rear perspective view thereof;
FIG. 5 is a top, left perspective view thereof; and,
FIG. 6 is an enlarged top plan view of the table of FIG. 1.

1 Claim, 6 Drawing Sheets



(56)

References Cited

OTHER PUBLICATIONS

“Ronan + erwan bouroullec: tyde adjustable tables for vitra” Found online Nov. 9, 2018 at amazon.co. Page dated Aug. 16, 2013. Retrieved from <https://www.designboom.com/design/ronan-erwan-bouroullec-tyde-adjustable-tables-for-vitra/> (Year: 2013).*

“Animate Spec Guides”. Found online Nov. 2, 2018 at JRBStudio.com. Page dated Feb. 2016. Retrieved from http://www.jrbstudio.com/docs/default-source/resource-documents/jrb_animatespecguide_feb2013.pdf?sfvrsn=8 (Year: 2016).*

* cited by examiner

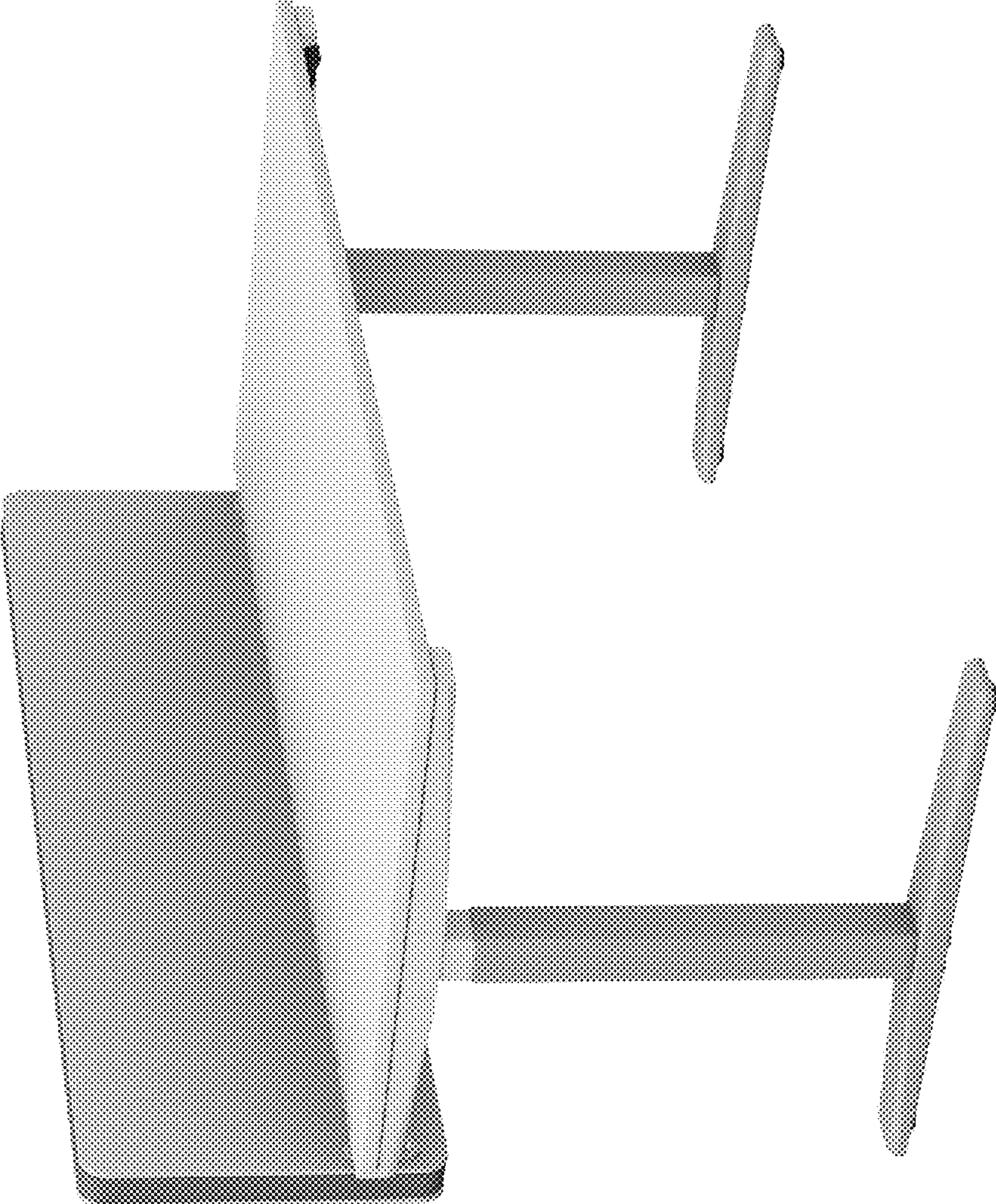


Fig. 1

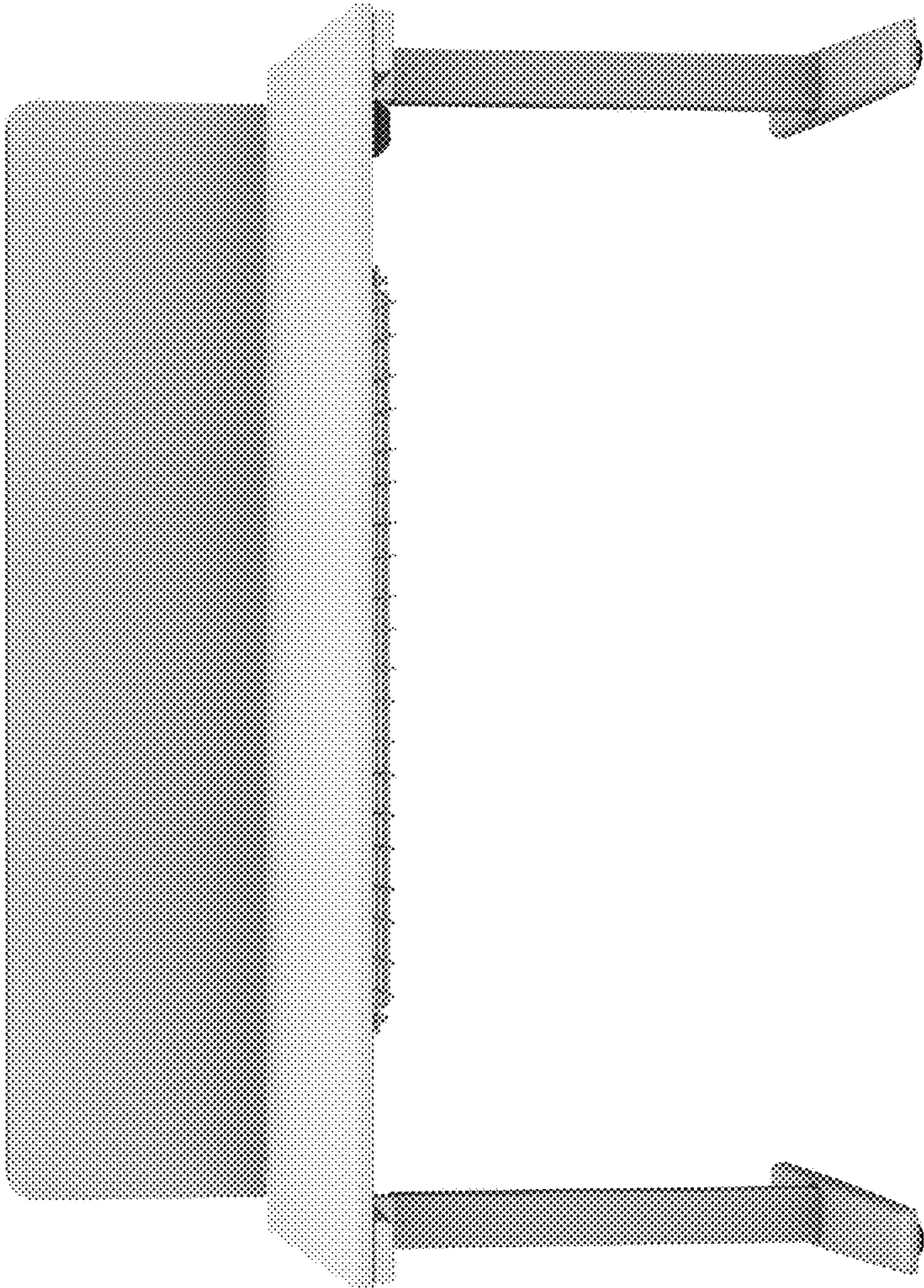


Fig. 2

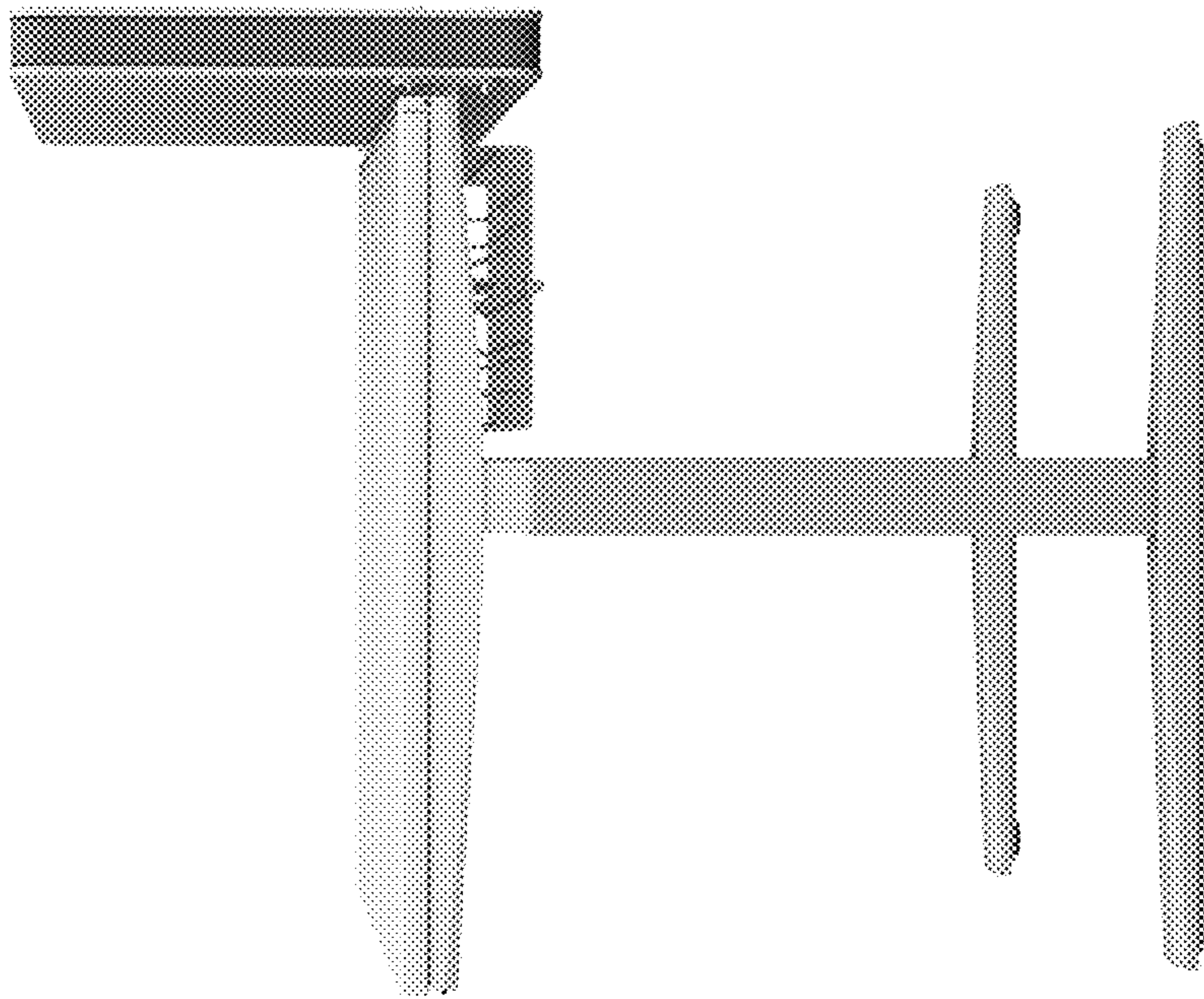


Fig. 3

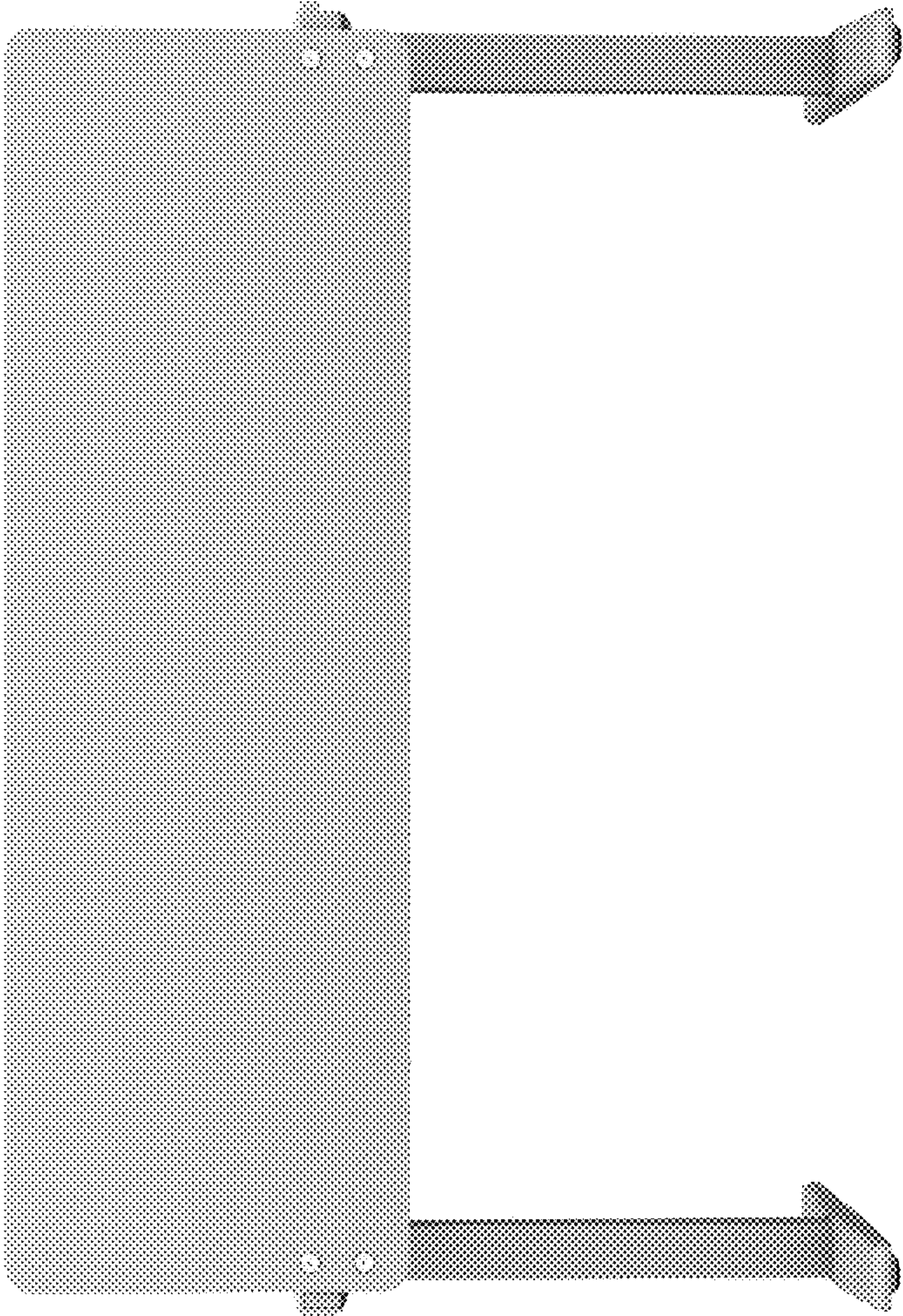


Fig. 4

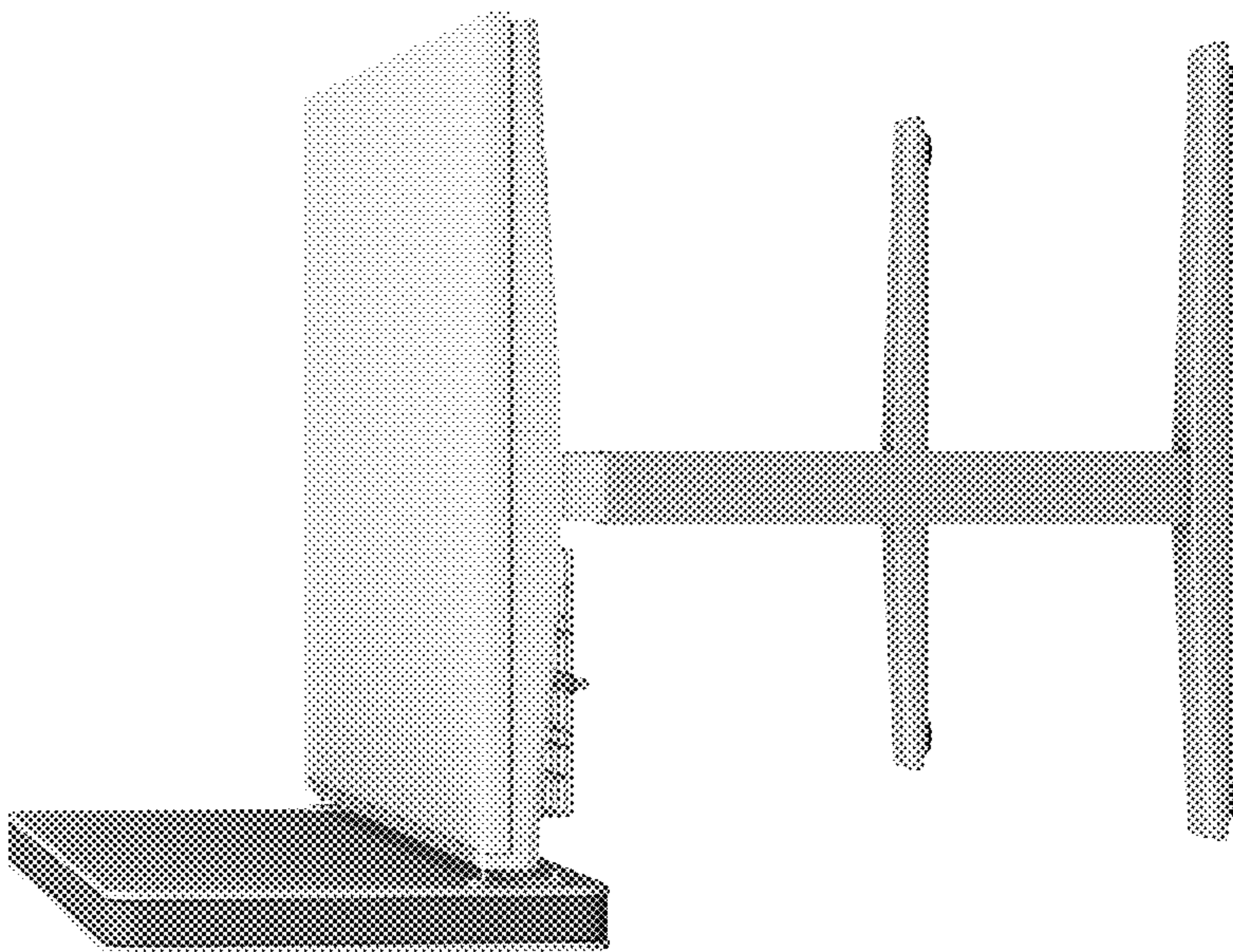


Fig. 5



Fig. 6