



US00D861374S

(12) **United States Design Patent** (10) **Patent No.:** **US D861,374 S**
Goodman et al. (45) **Date of Patent:** **** Oct. 1, 2019**

(54) **HOLDER**

(71) Applicant: **Spectrum Diversified Designs, LLC**,
Streetsboro, OH (US)

(72) Inventors: **Aaron Goodman**, Beachwood, OH
(US); **Megan Dittrich**, Twinsburg, OH
(US)

(73) Assignee: **SPECTRUM DIVERSIFIED
DESIGNS, LLC**, Streetsboro

(**) Term: **15 Years**

(21) Appl. No.: **29/622,962**

(22) Filed: **Oct. 20, 2017**

(51) **LOC (12) Cl.** **07-06**

(52) **U.S. Cl.**
USPC **D6/553**

(58) **Field of Classification Search**
USPC D6/513, 537, 566, 675.5, 553;
D7/631-634, 637-641; D19/75, 78, 79,
D19/86, 90, 95; 76/82, 84, 86; 248/37.3,
248/37.6; 451/552
CPC A45D 44/04; A45D 44/06; A47G 25/1464;
A47G 19/08; A47F 13/00; A47F 7/00;
A47J 47/16; A47L 15/50; A47L 15/503;
A47L 15/55

See application file for complete search history.

(56) **References Cited**

U.S. PATENT DOCUMENTS

| | | | |
|--------------|--------|---------------|--------|
| D335,996 S * | 6/1993 | Evenson | D19/90 |
| D562,405 S * | 2/2008 | Gusdorf | D19/90 |
| D778,119 S * | 2/2017 | Hsu | D7/631 |

* cited by examiner

Primary Examiner — Wan Laymon

Assistant Examiner — Mark Booker

(74) *Attorney, Agent, or Firm* — Tucker Ellis LLP

(57) **CLAIM**

The ornamental design for a holder, as shown and described.

DESCRIPTION

FIG. 1 is a perspective view of a holder showing our new design.

FIG. 2 is a left side view thereof.

FIG. 3 is a right side view thereof.

FIG. 4 is a front view thereof.

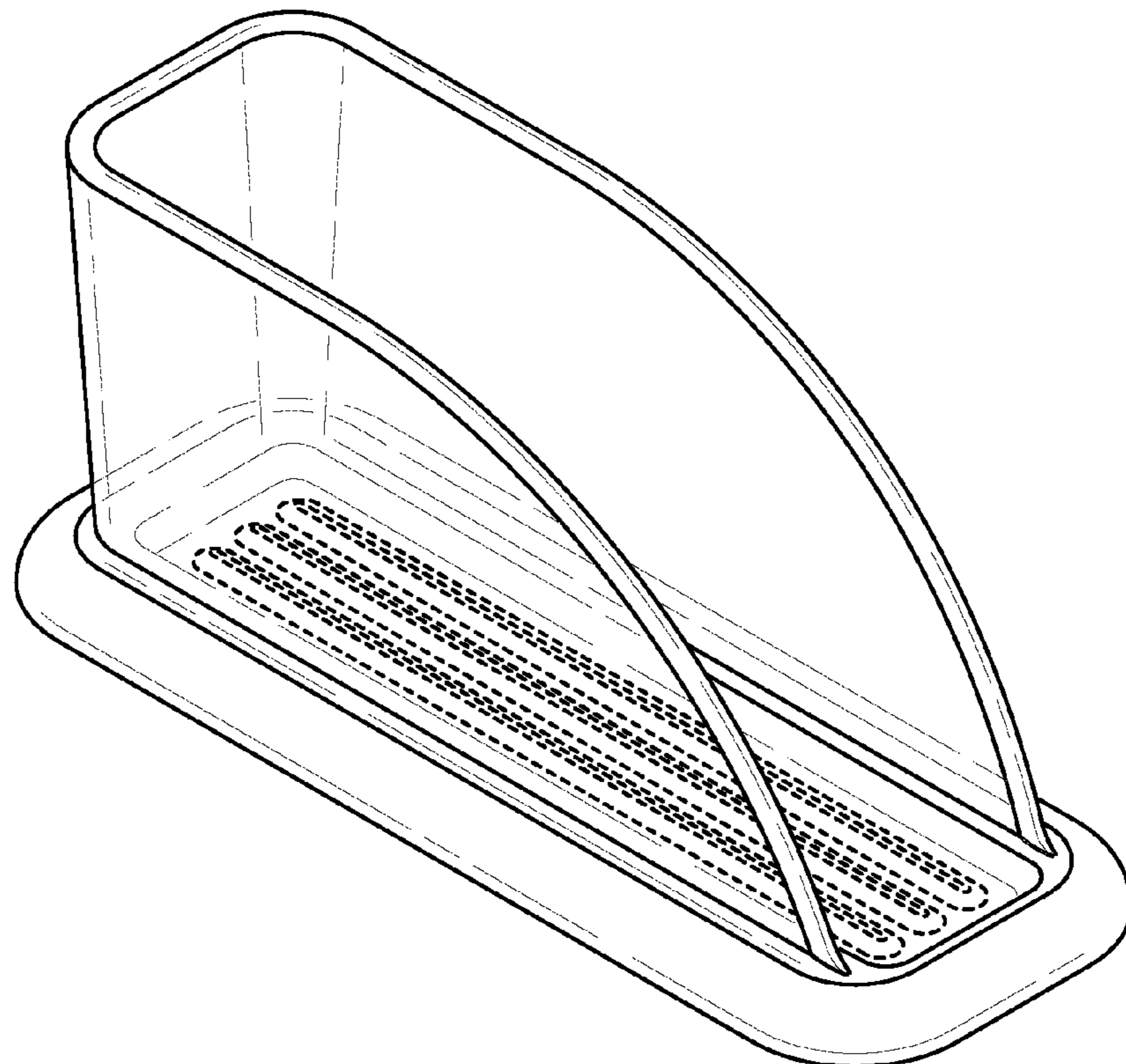
FIG. 5 is a rear view thereof.

FIG. 6 is a top view thereof; and,

FIG. 7 is a bottom view thereof.

The broken lines shown herein are for illustrative purposes only and form no part of the claimed design.

1 Claim, 4 Drawing Sheets



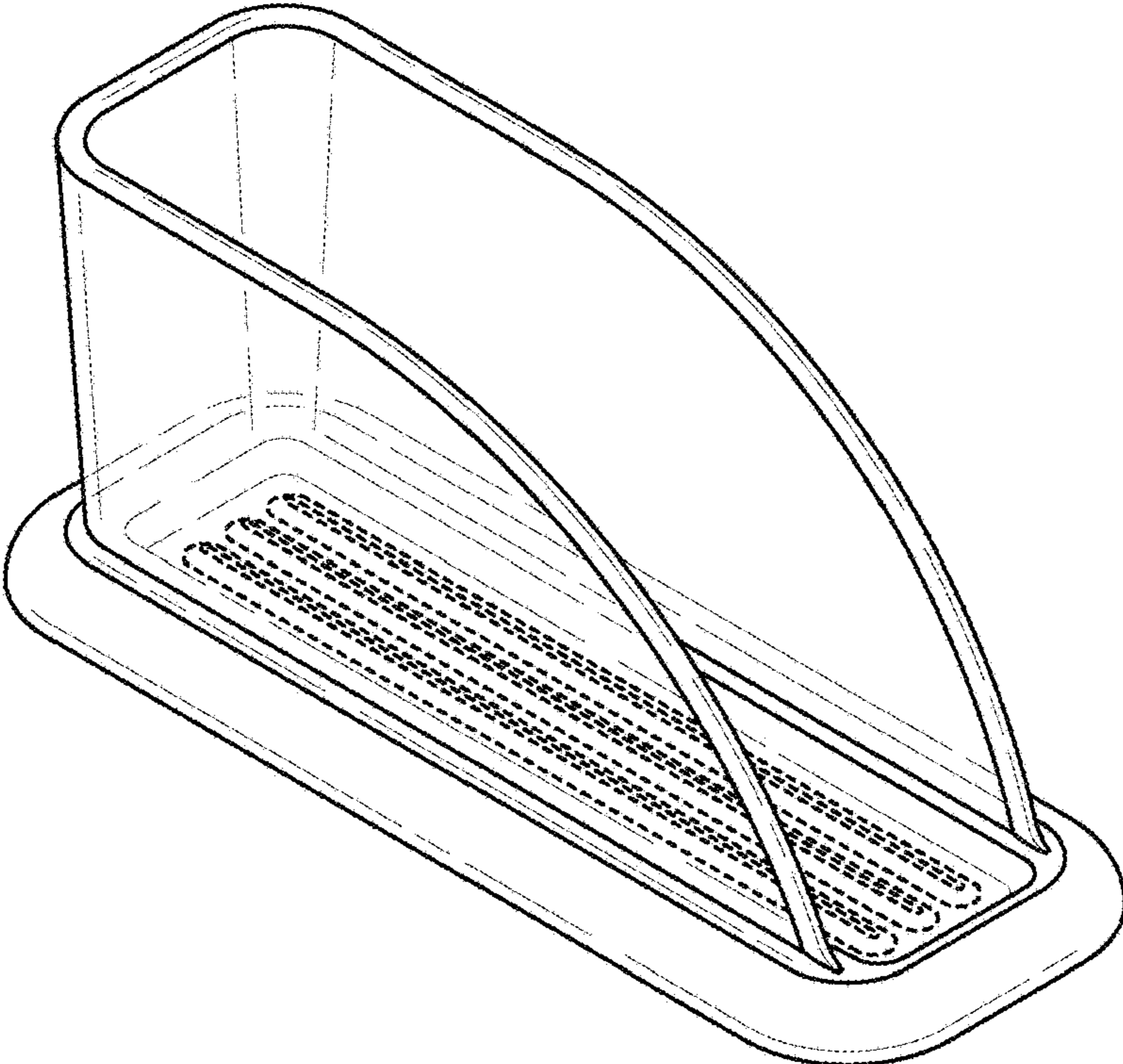


FIG. 1

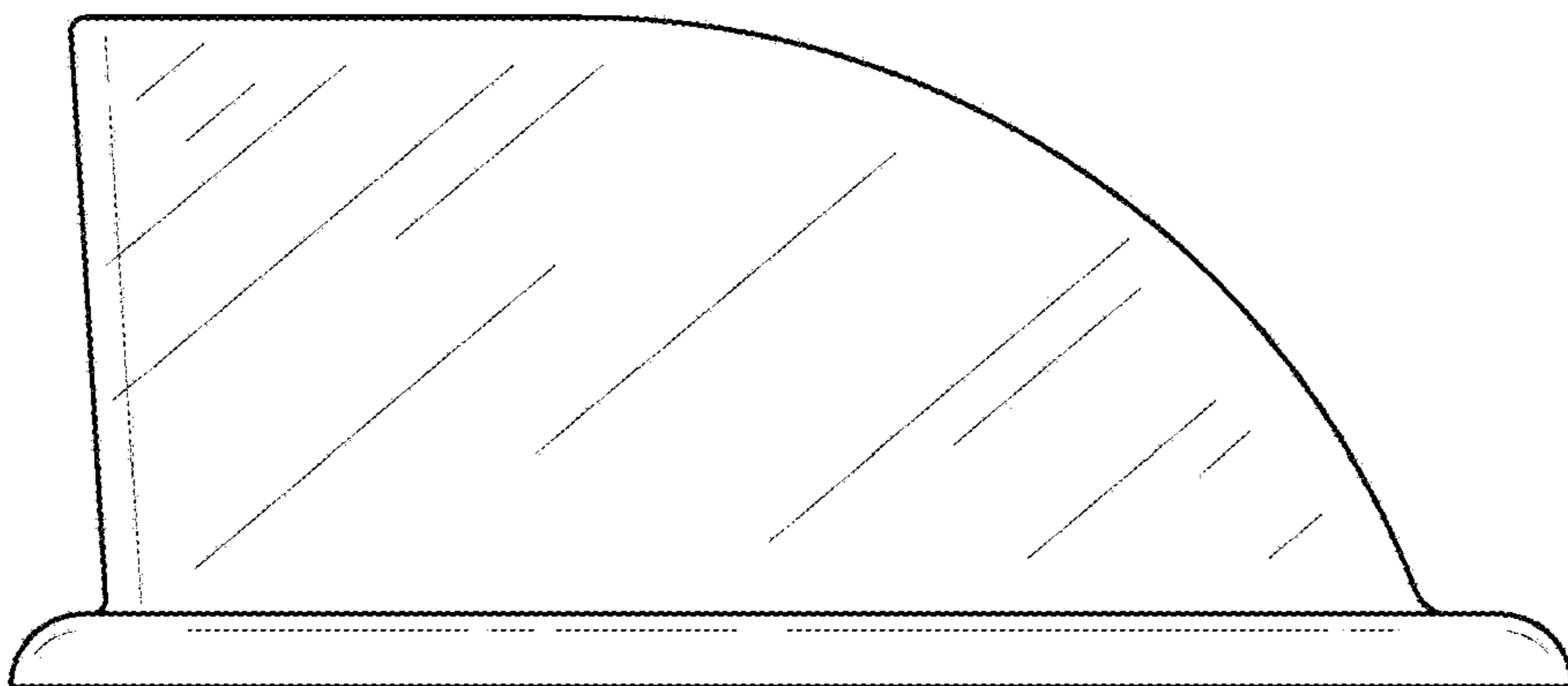


FIG. 2

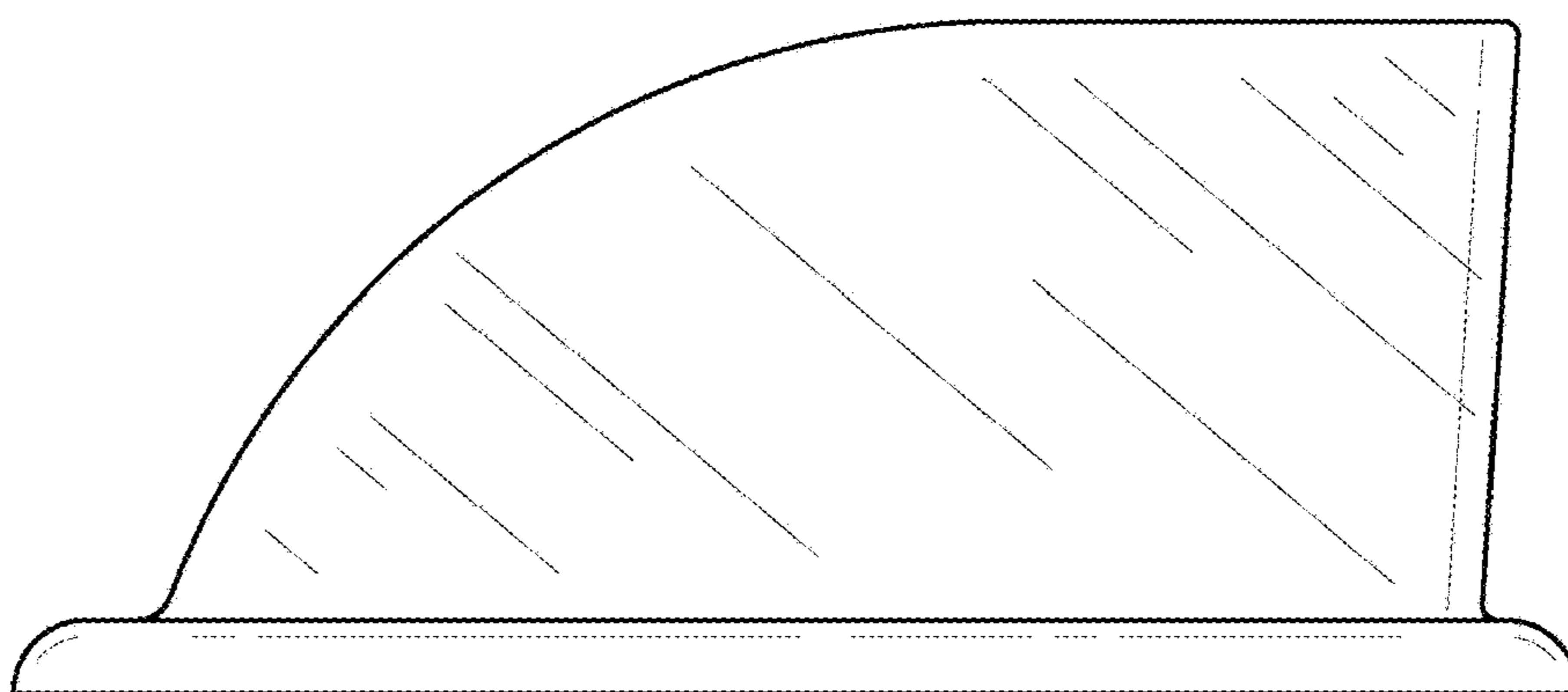


FIG. 3

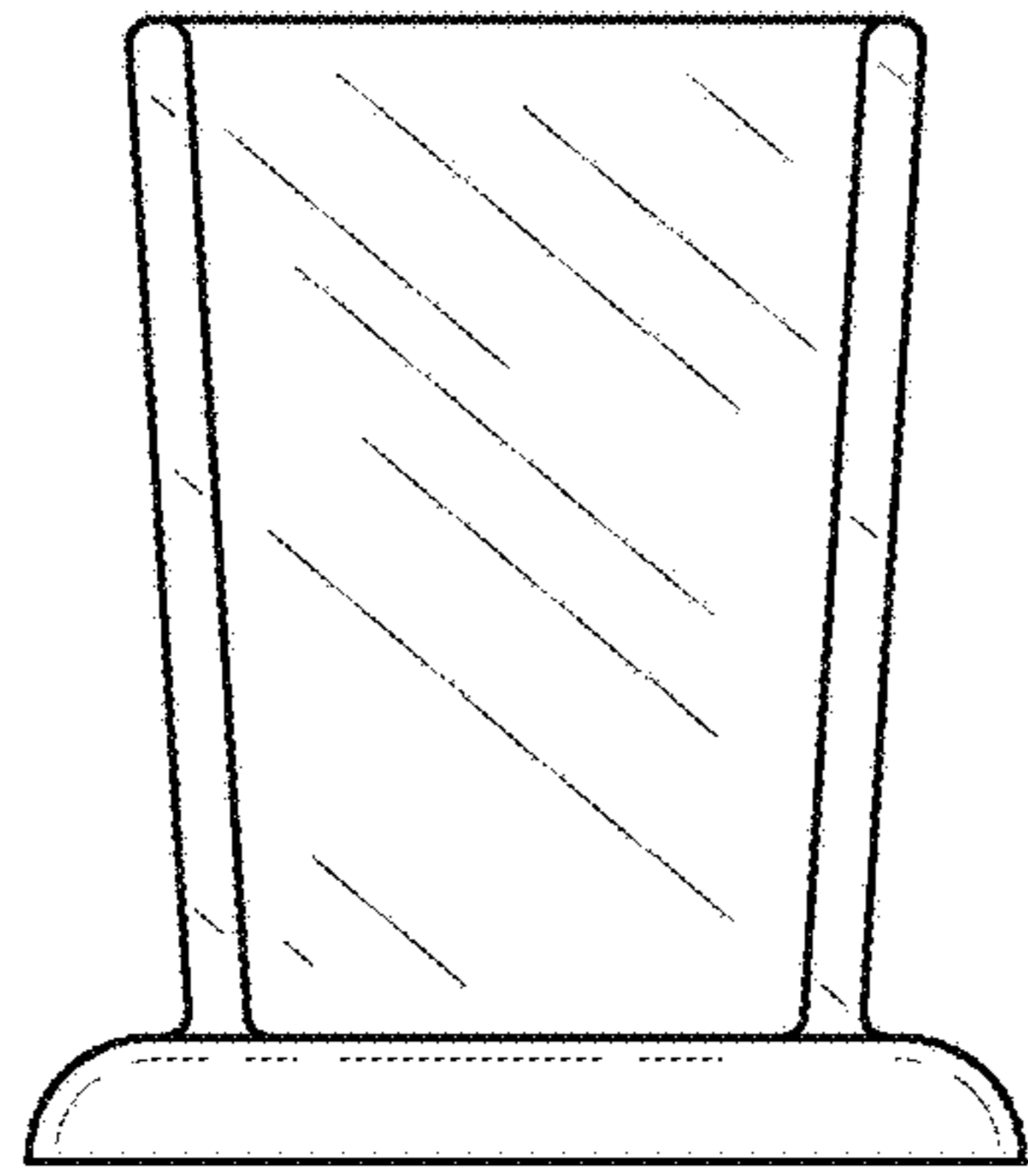


FIG. 4

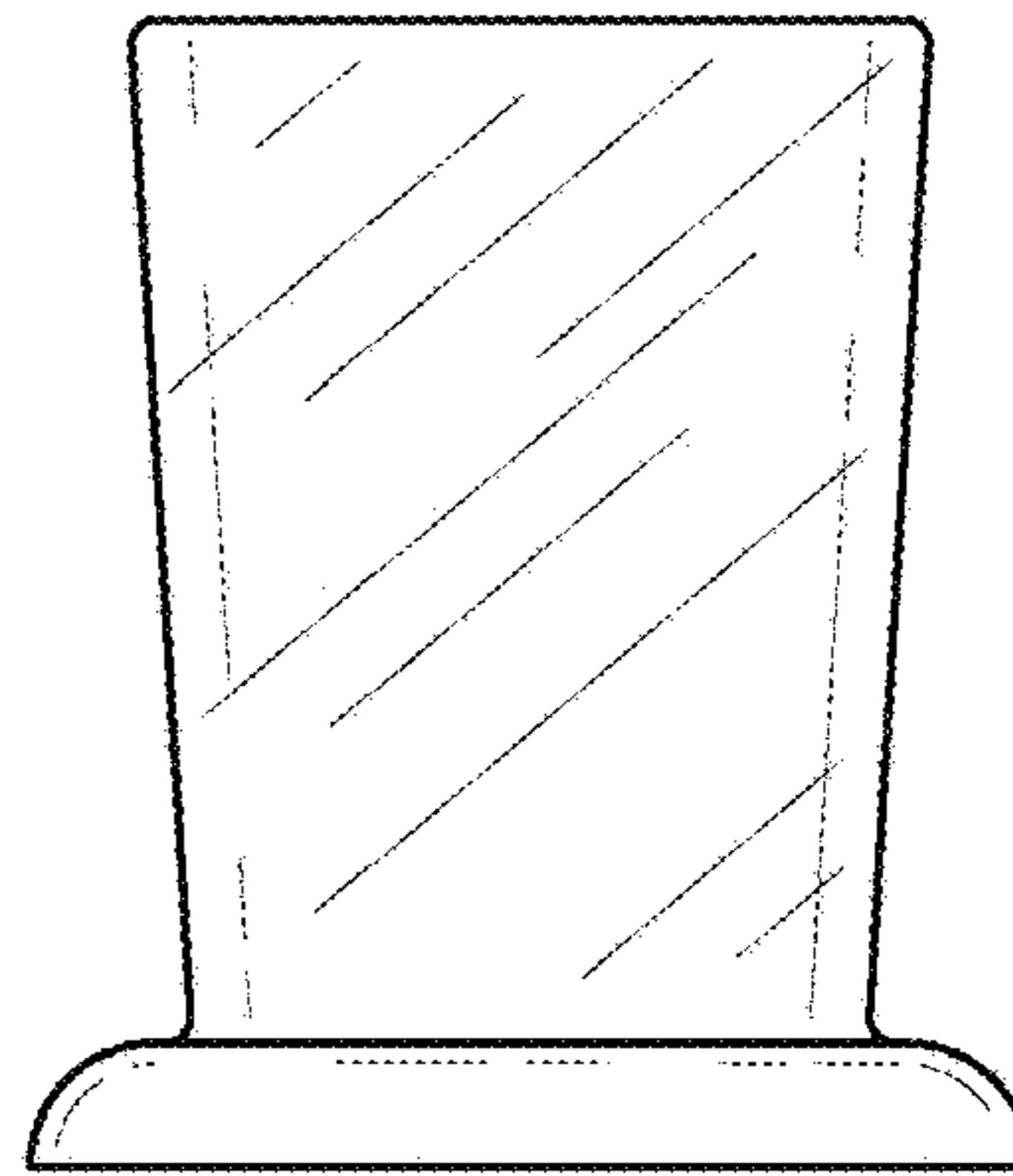


FIG. 5

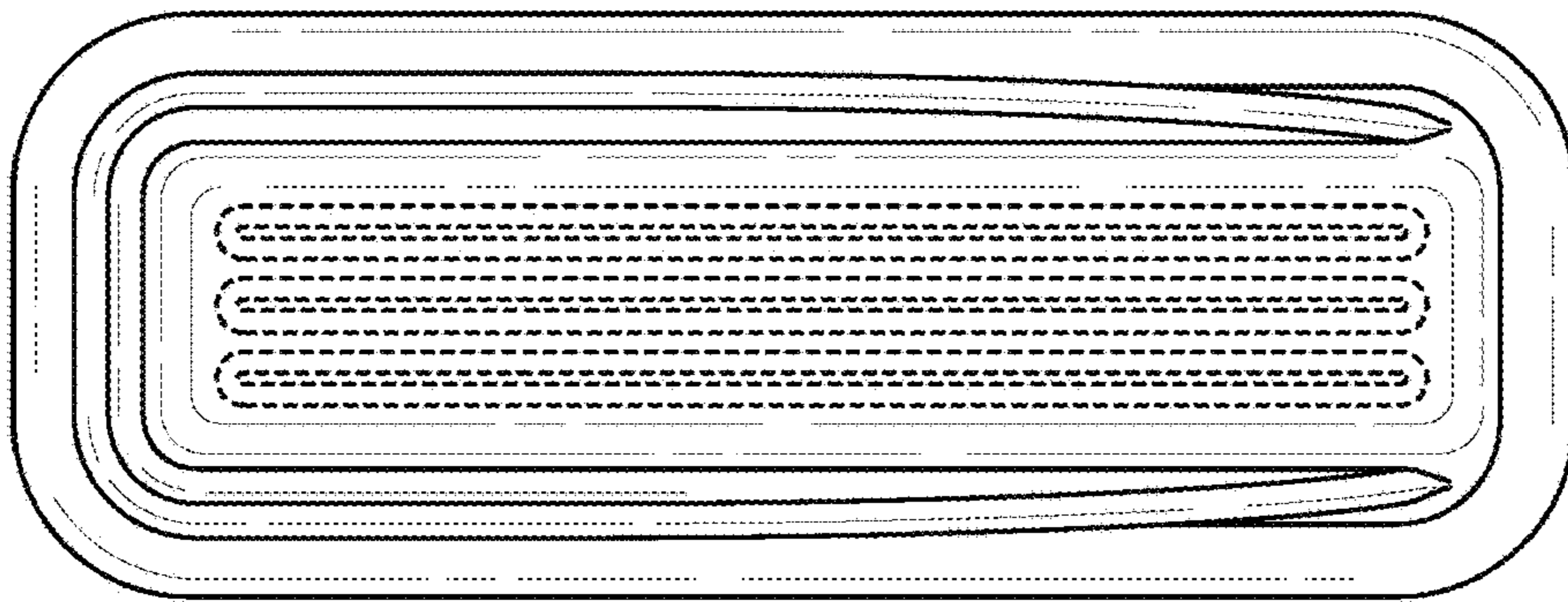


FIG. 6

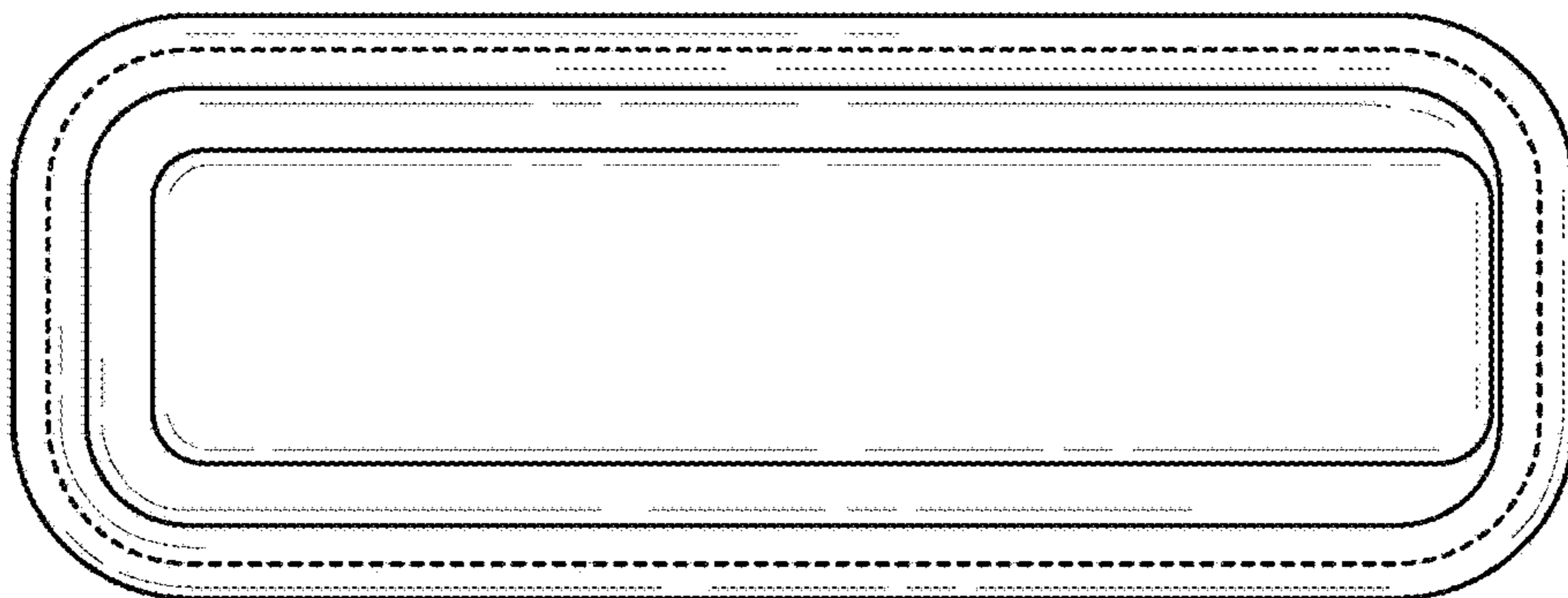


FIG. 7