

US00D861373S

(12) **United States Design Patent** (10) **Patent No.:** **US D861,373 S**
Miranda et al. (45) **Date of Patent:** **** Oct. 1, 2019**

(54) **FIREARM HANGER**

D775,859 S * 1/2017 DeHart D6/552
D817,026 S * 5/2018 Sammut D6/552
2012/0193254 A1* 8/2012 Kubinieć A47B 81/005
206/317

(71) Applicants: **Joseph Anthony Miranda**, LaGrange, OH (US); **Andrew Steven Miranda**, Oberlin, OH (US); **Luke Elliot Miranda**, Oberlin, OH (US); **Daniel Mark Bestor**, Vermillion, OH (US)

* cited by examiner

(72) Inventors: **Joseph Anthony Miranda**, LaGrange, OH (US); **Andrew Steven Miranda**, Oberlin, OH (US); **Luke Elliot Miranda**, Oberlin, OH (US); **Daniel Mark Bestor**, Vermillion, OH (US)

Primary Examiner — Wan Laymon

Assistant Examiner — Mark Booker

(74) *Attorney, Agent, or Firm* — Dunlap Bennett & Ludwig PLLC; Brendan E. Squire

(**) Term: **15 Years**

(57) **CLAIM**

(21) Appl. No.: **29/614,106**

The ornamental design for a firearm hanger, as shown and described.

(22) Filed: **Aug. 16, 2017**

(51) **LOC (12) Cl.** **06-04**

(52) **U.S. Cl.**
USPC **D6/552**

DESCRIPTION

(58) **Field of Classification Search**
USPC D6/552, 553–555; D3/222; D22/104, D22/105, 108, 109, 110, 147, 199; 42/99; 211/13.1, 60.1, 64, 85.7; 224/192–193, 238, 243, 587, 661, 666, 224/668, 676–677, 680, 911–912; 228/206.5, 309.1, 309.4, 467, 537, 683; 206/317
CPC F41A 23/18; B60R 7/14
See application file for complete search history.

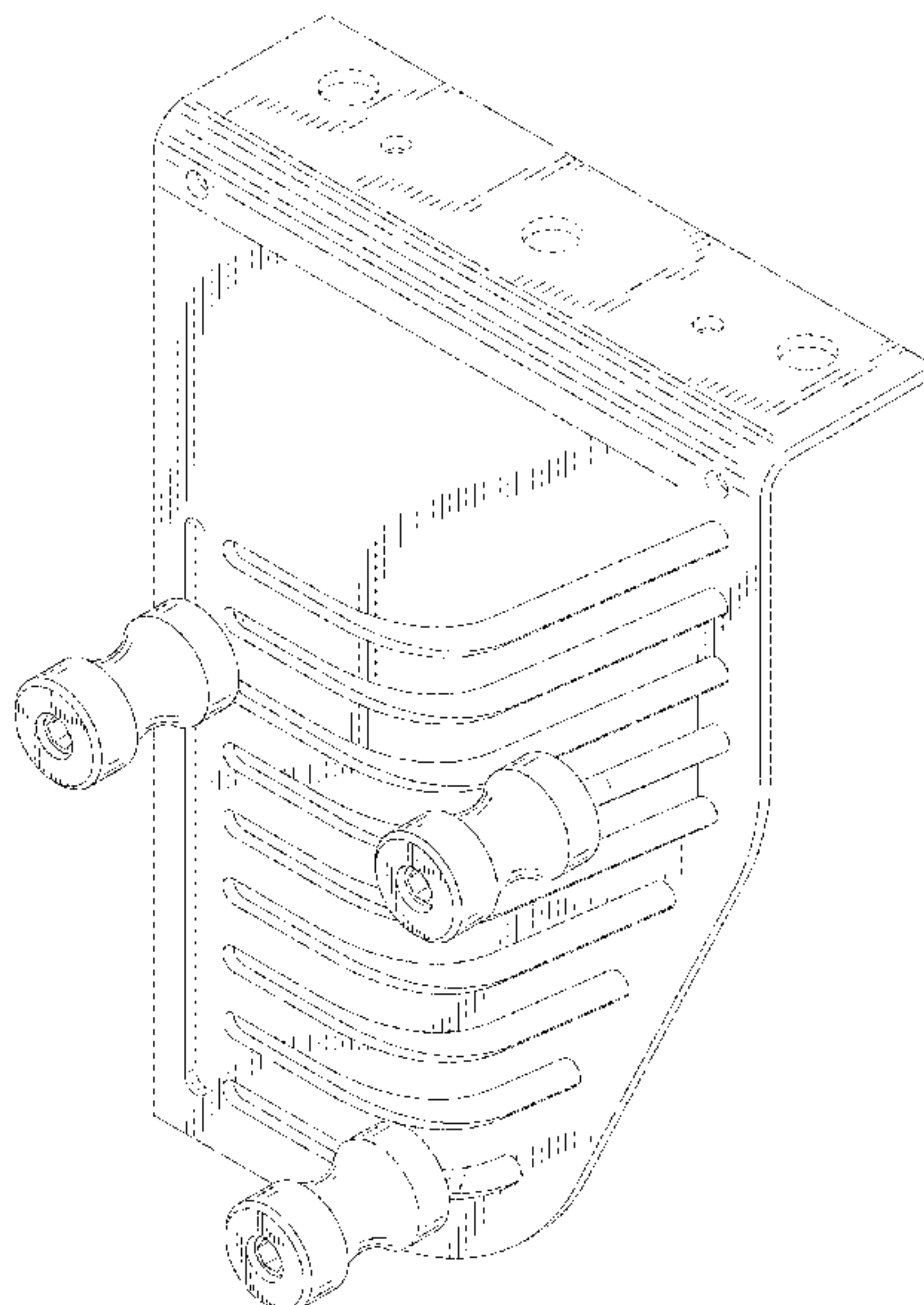
FIG. 1 is a perspective view of the firearm hanger showing our new design;
FIG. 2 is a front view thereof;
FIG. 3 is a top view thereof;
FIG. 4 is a right side view thereof;
FIG. 5 is a left side view thereof;
FIG. 6 is a rear view thereof;
FIG. 7 is a bottom view thereof; and,
FIG. 8 is a perspective view thereof.
The broken lines shown in the drawings illustrate portions of the firearm hanger that form no part of the claimed design. The broken lines in FIG. 8, showing the firearm hanger in use, illustrate environment and forms no part of the claim.

(56) **References Cited**

U.S. PATENT DOCUMENTS

4,209,157 A * 6/1980 Edmisten F41C 33/00
248/691
D582,150 S * 12/2008 Har Shen D3/222

1 Claim, 4 Drawing Sheets



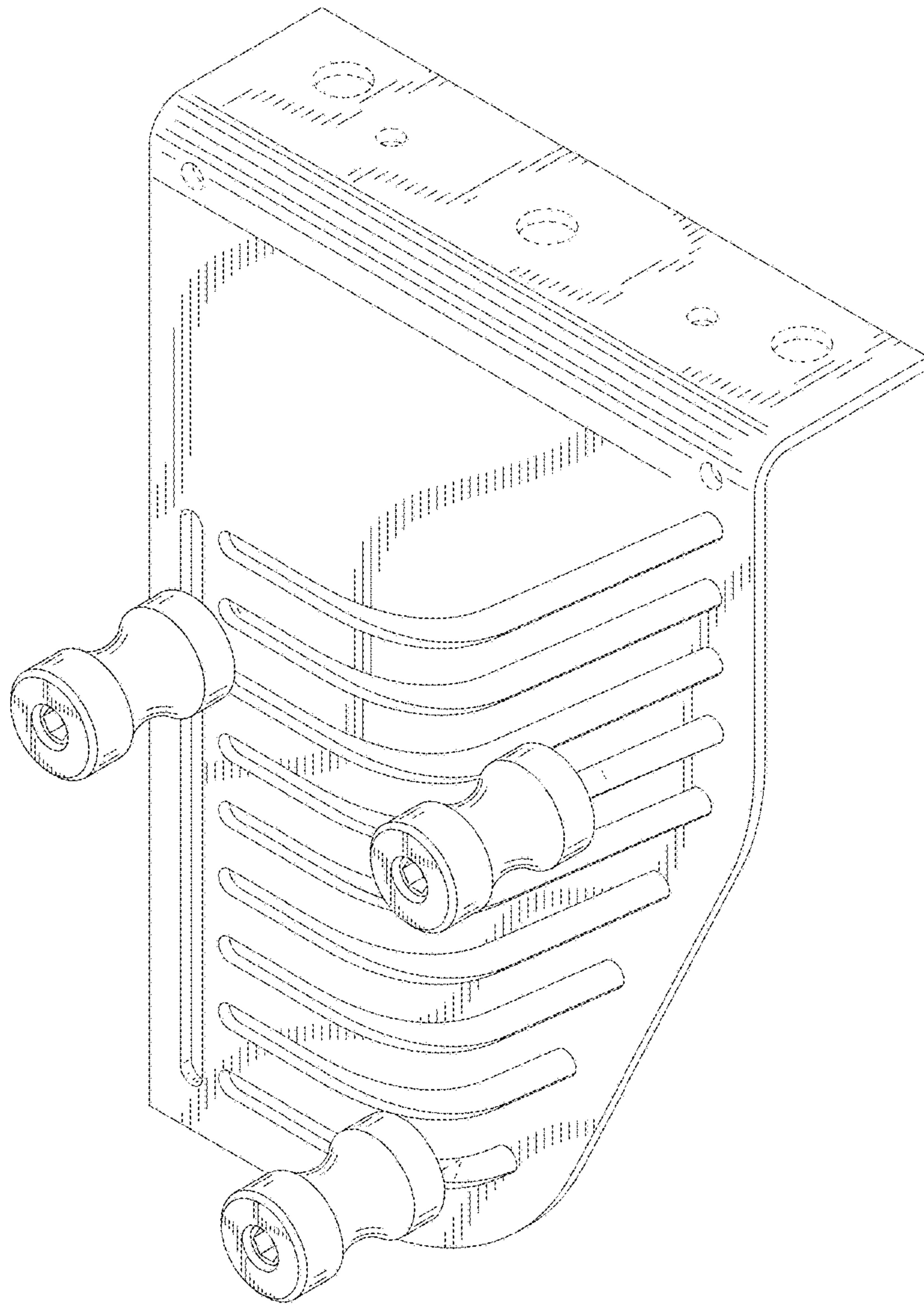


FIG.1

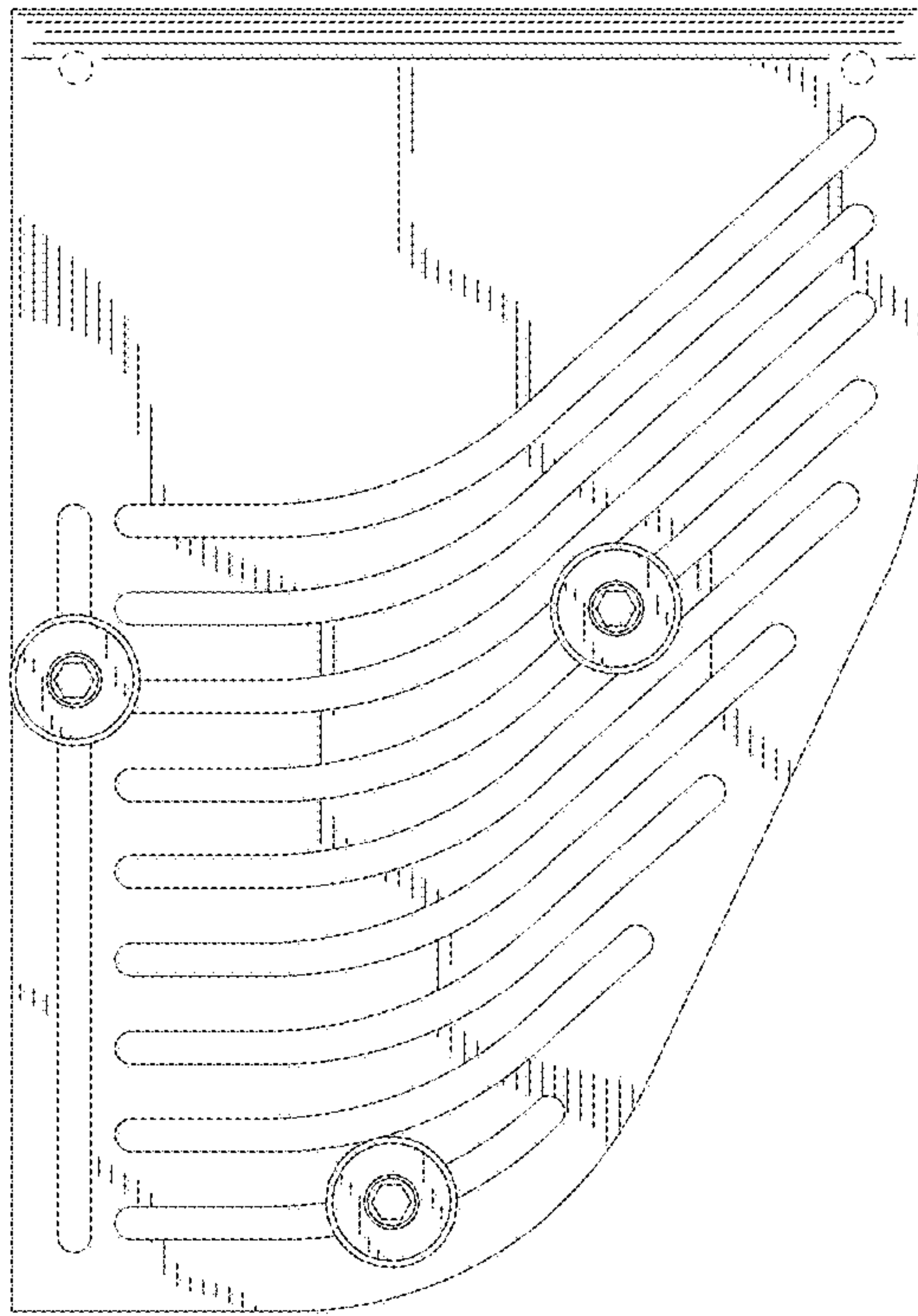


FIG. 2

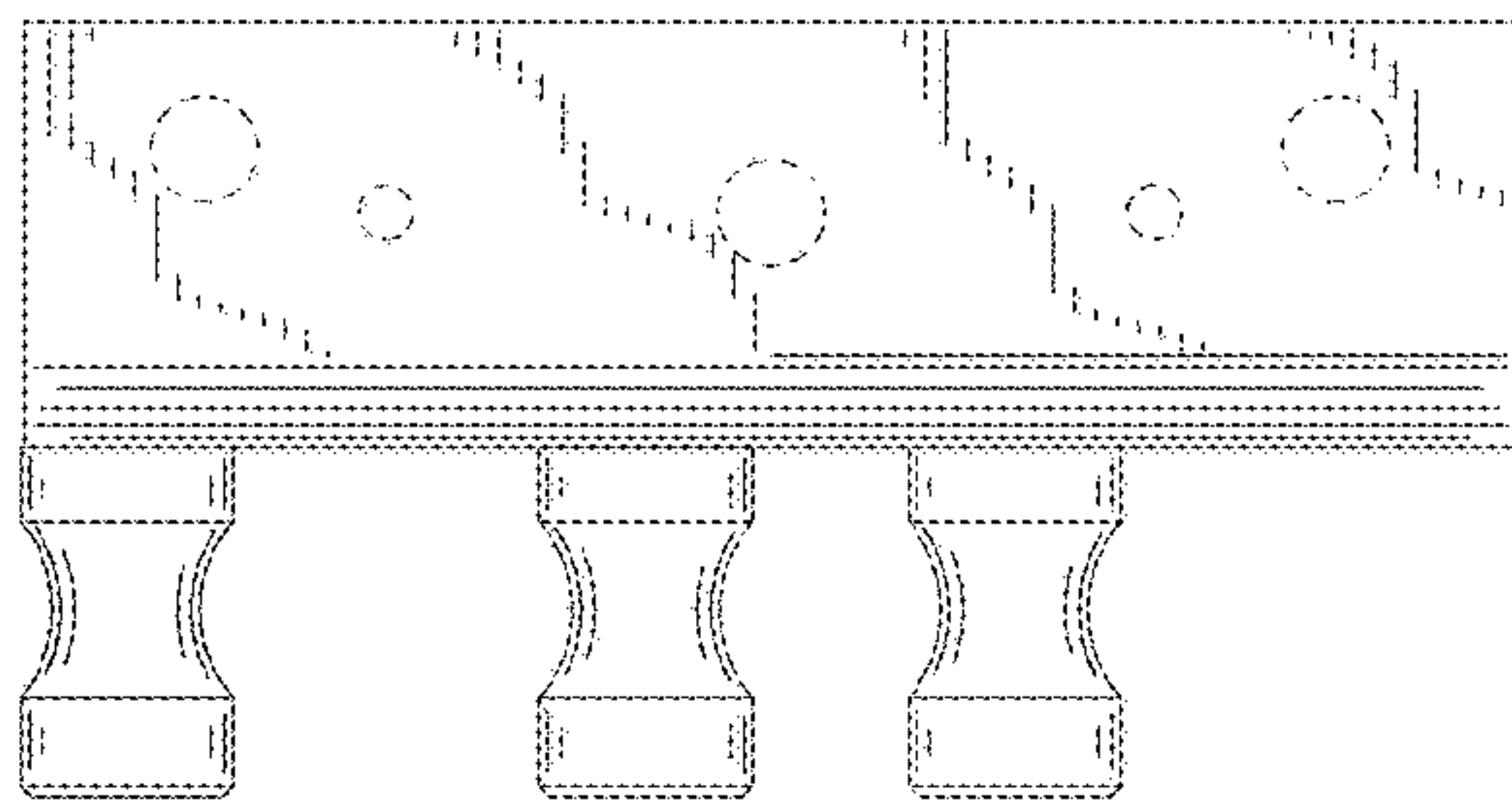


FIG. 3

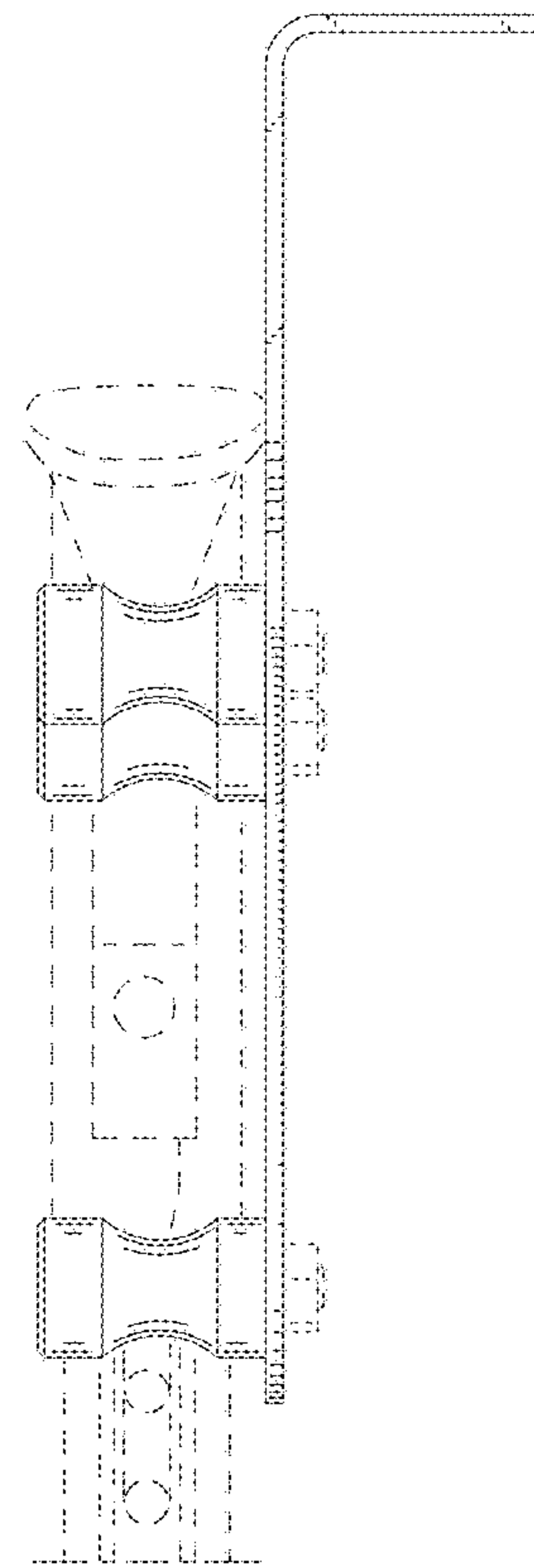


FIG. 4

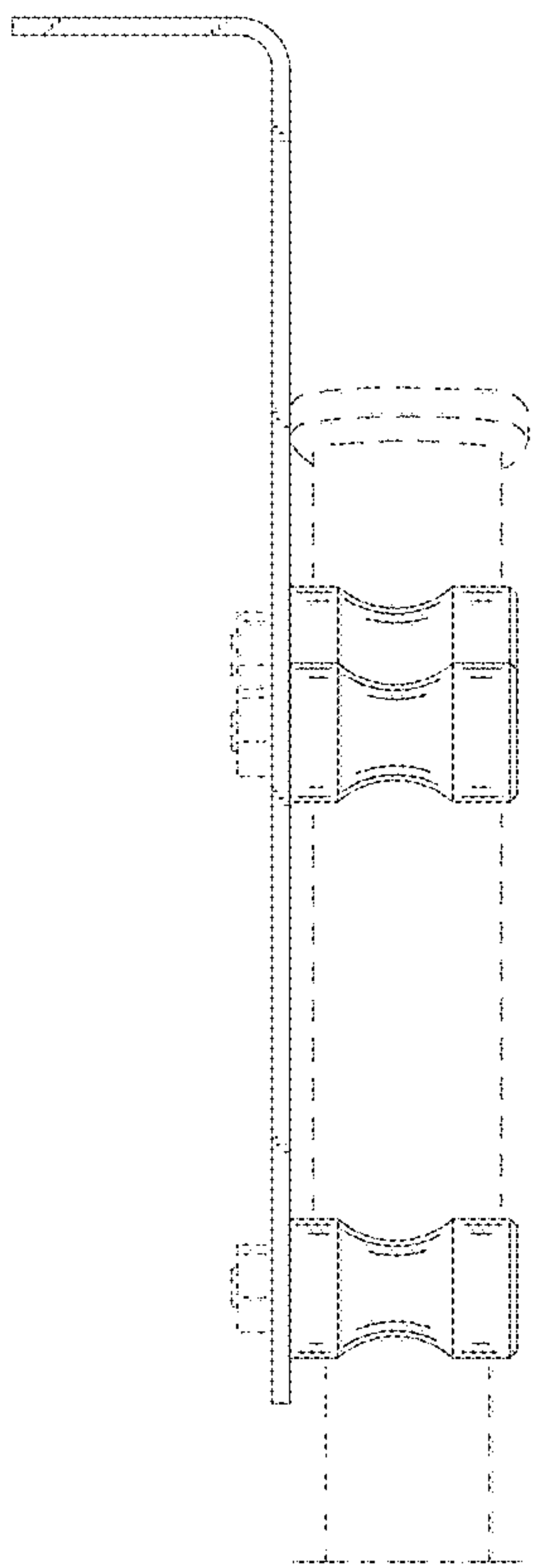


FIG. 5

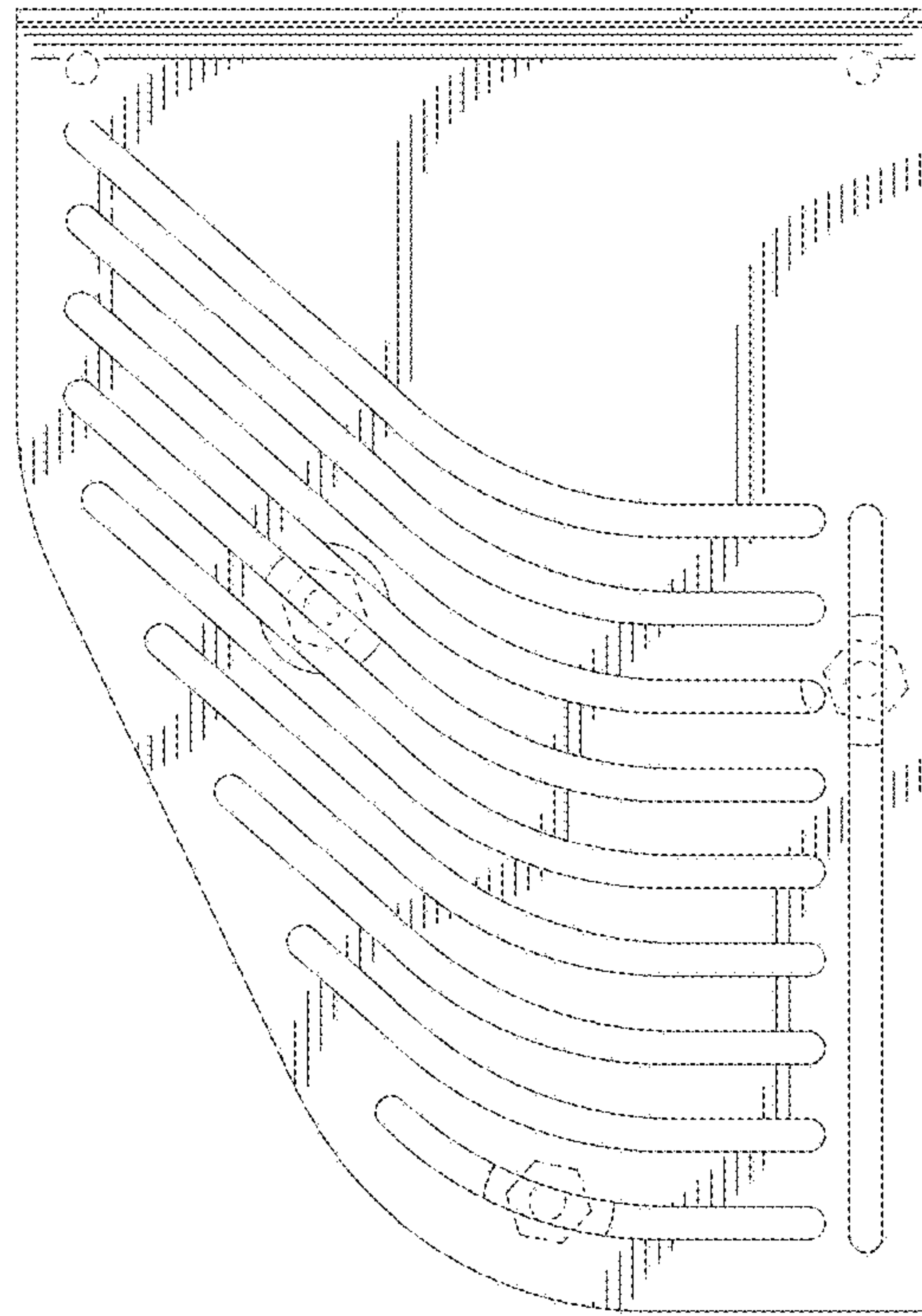


FIG. 6

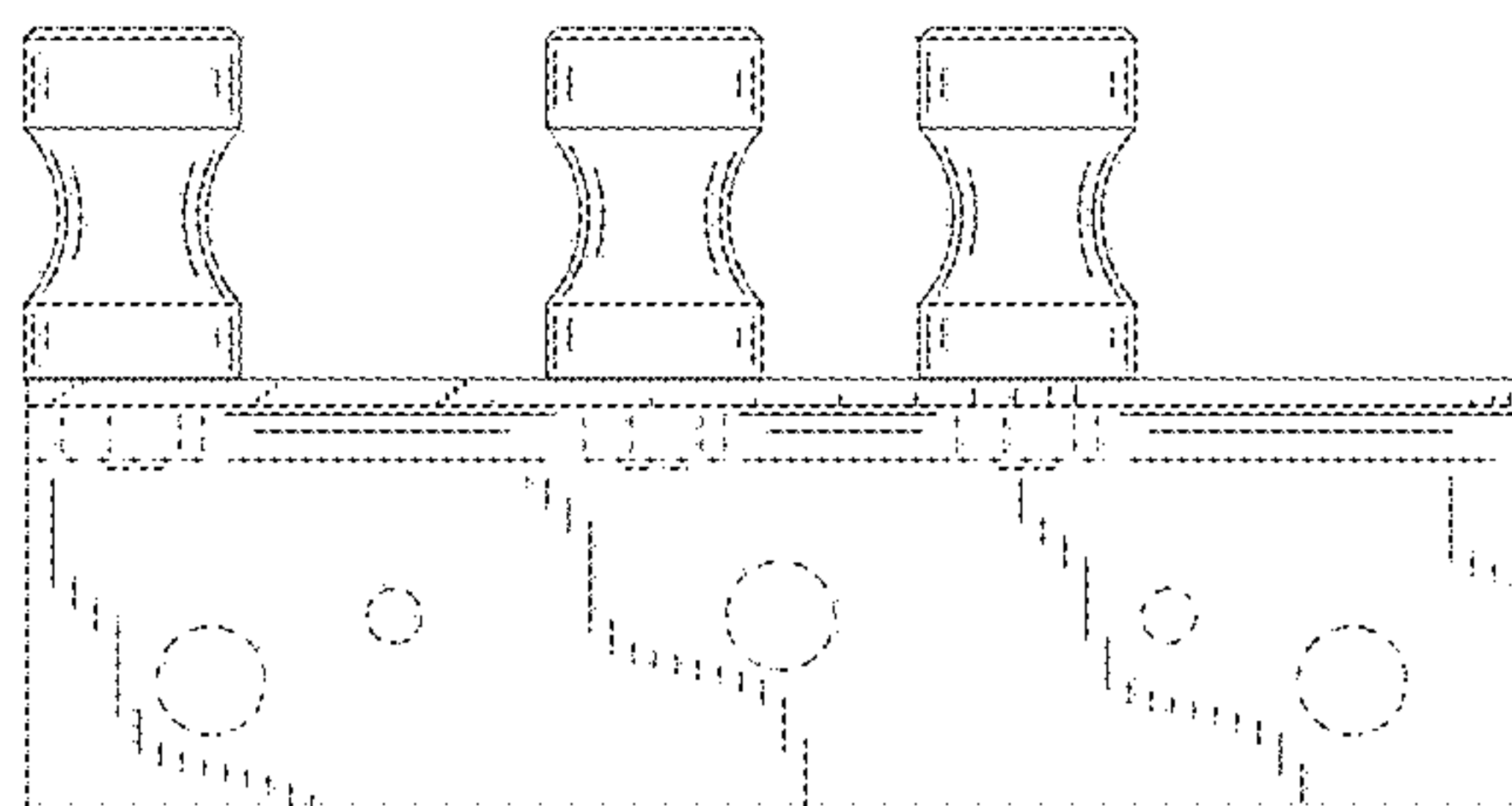


FIG. 7

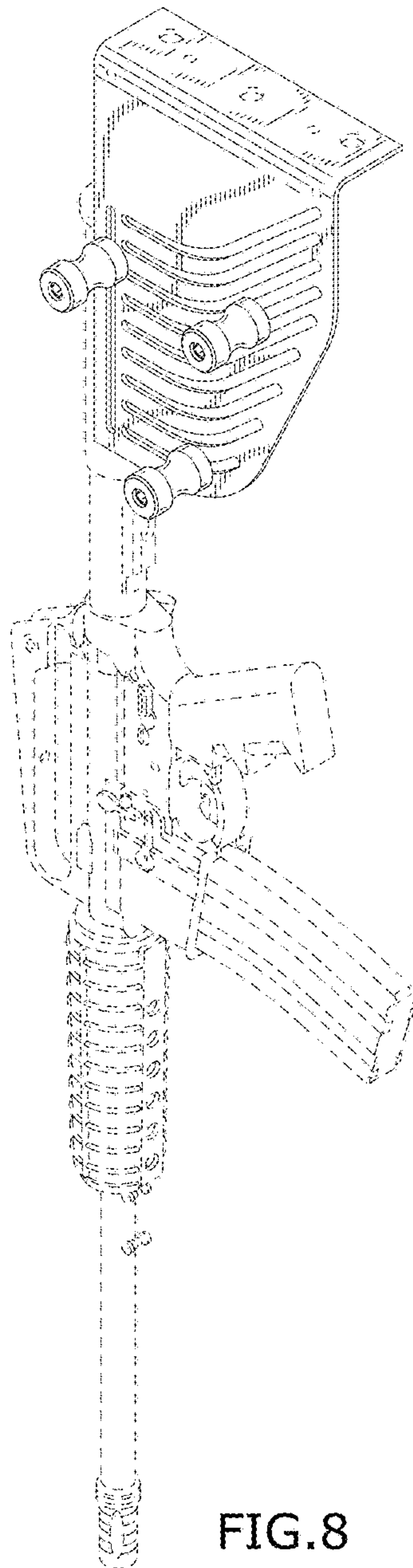


FIG. 8