



US00D861372S

(12) **United States Design Patent**
Schaubach et al.

(10) **Patent No.:** **US D861,372 S**
(45) **Date of Patent:** **** Oct. 1, 2019**

(54) **BAR HOLDER FOR TOWEL OR PAPER ROLL**

(71) Applicant: **Spectrum Brands, Inc.**, Middleton, WI (US)

(72) Inventors: **Lauren Schaubach**, Costa Mesa, CA (US); **Selia Ke**, Fujian (CN)

(73) Assignee: **Spectrum Brands, Inc.**, Middleton, WI (US)

(**) Term: **15 Years**

(21) Appl. No.: **29/630,890**

(22) Filed: **Dec. 22, 2017**

(51) **LOC (12) Cl.** **20-02**

(52) **U.S. Cl.**
USPC **D6/520**

(58) **Field of Classification Search**

USPC D6/520, 518, 519, 521, 522, 523;
D8/300, 315, 370; 206/389, 391;
211/13.1, 45, 59.1, 89.01, 16, 85.5, 86.01,
211/87.01, 88.04; 242/570, 590,
242/595-598; 248/309.1, 309.2, 49, 175,
248/176.1, 200, 201, 205.1, 251, 302, 315
CPC A47K 10/3836; A47K 2010/324; A47K
2010/389; A47K 10/40; A47K 10/22;
A47K 10/38; A47K 2010/3233; A47K
2010/3872; A47K 10/405; B08B 1/006;
B65H 16/04

See application file for complete search history.

(56) **References Cited**

U.S. PATENT DOCUMENTS

D790,667 S 6/2017 Schaubach et al.
D791,281 S 7/2017 Schaubach et al.

Primary Examiner — Wan Laymon
Assistant Examiner — Mark Booker

(74) *Attorney, Agent, or Firm* — Banner & Witcoff, Ltd.

(57) **CLAIM**

The ornamental design for a bar holder for towel or paper roll, as shown and described.

DESCRIPTION

FIG. 1 is a front perspective view of a bar holder for towel or paper roll showing our new design;

FIG. 2 is a front view thereof;

FIG. 3 is a rear view thereof;

FIG. 4 is a right side view thereof;

FIG. 5 is a left side view thereof;

FIG. 6 is a top view thereof;

FIG. 7 is a bottom view thereof;

FIG. 8 is a front perspective view of a bar holder for towel or paper roll showing an alternative embodiment of our new design;

FIG. 9 is a front view thereof;

FIG. 10 is a rear view thereof;

FIG. 11 is a right side view thereof;

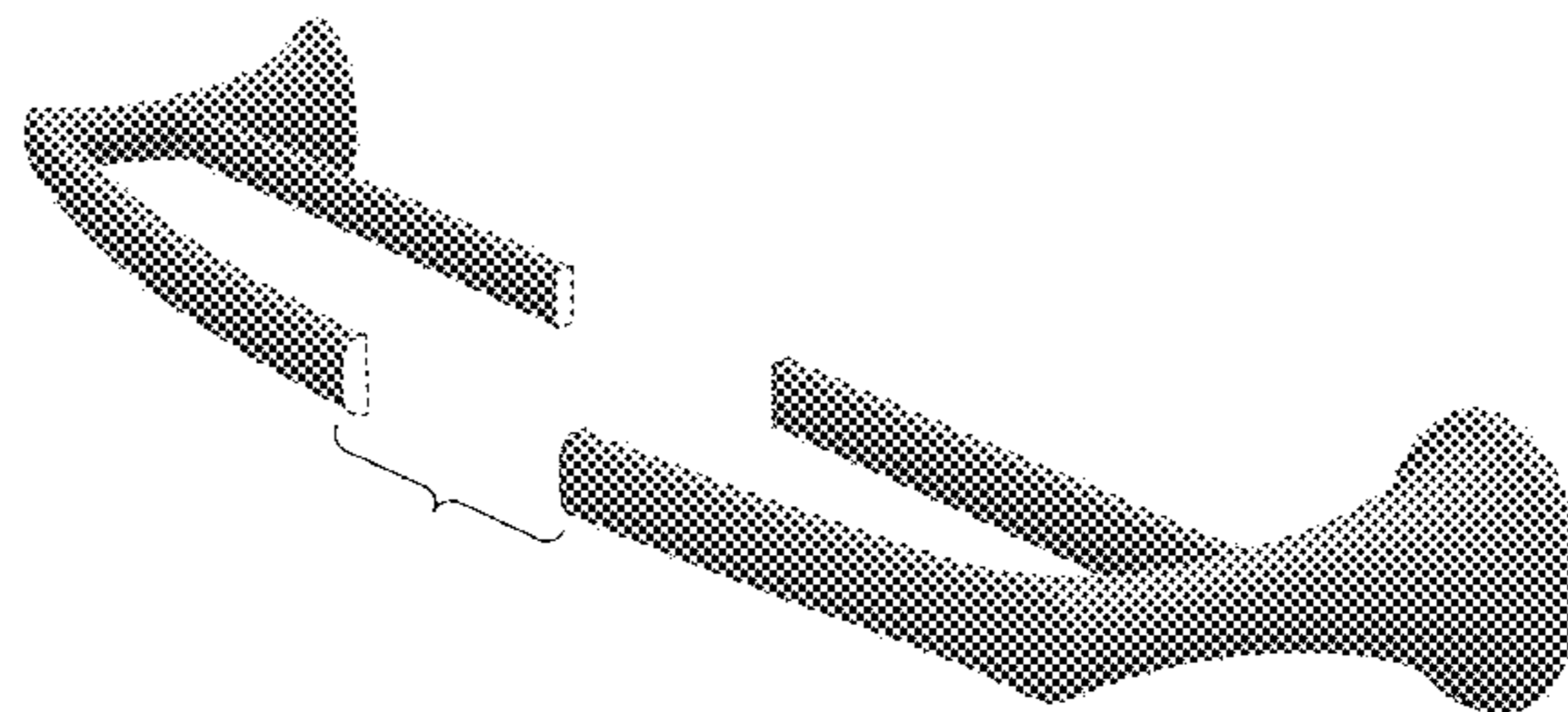
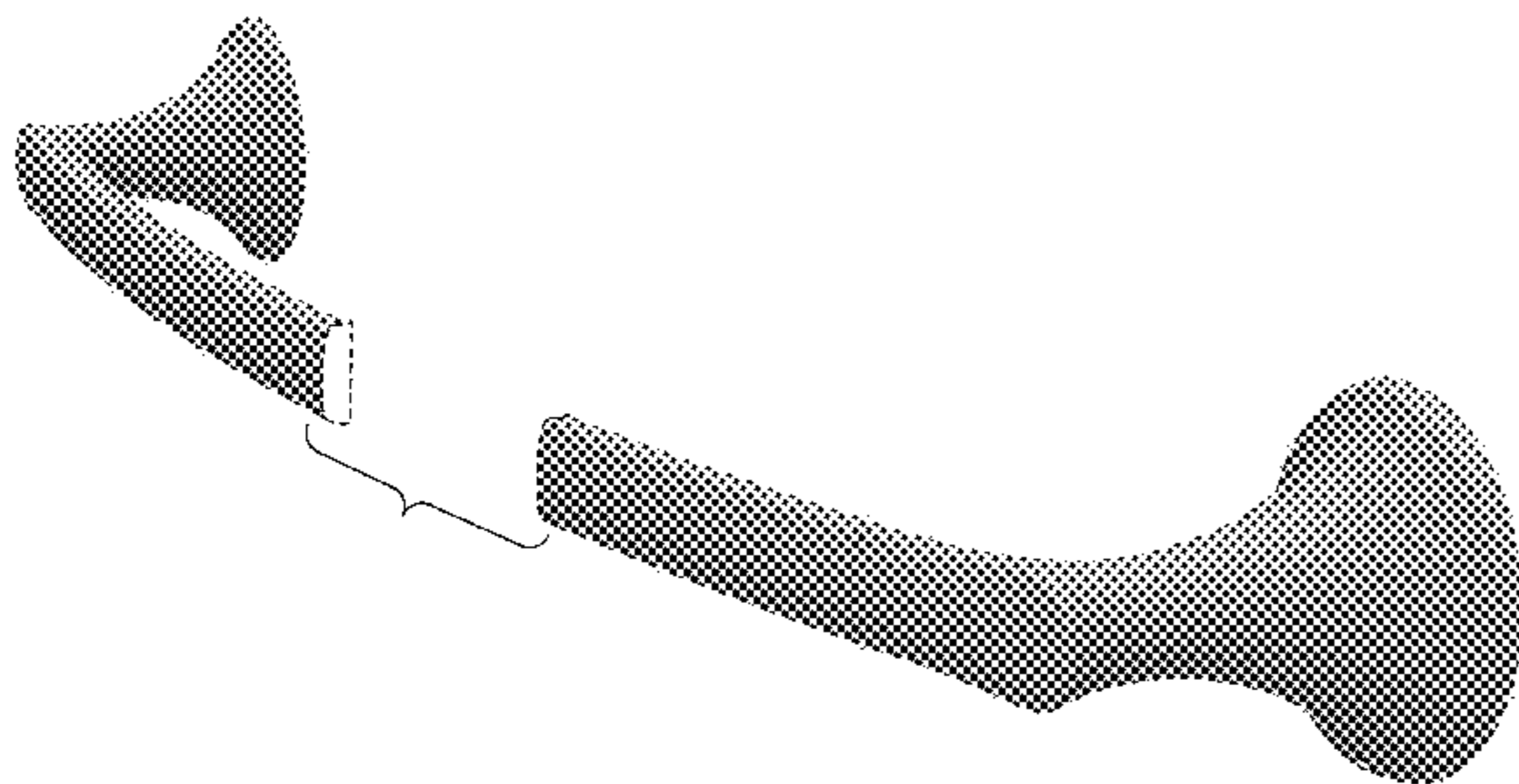
FIG. 12 is a left side view thereof;

FIG. 13 is a top view thereof; and,

FIG. 14 is a bottom view thereof.

The bar is shown with a symbolic break in its length. The appearance of any portion between the break lines forms no part of the claimed design. The broken line showing of the unshaded circular regions in FIGS. 1-3, 7-10 and 14 represent unclaimed subject matter and form no part of the claimed design. The broken line showing of the interior portion of the bar holder for towel or paper roll is for environmental purposes only and forms no part of the claimed design.

1 Claim, 14 Drawing Sheets



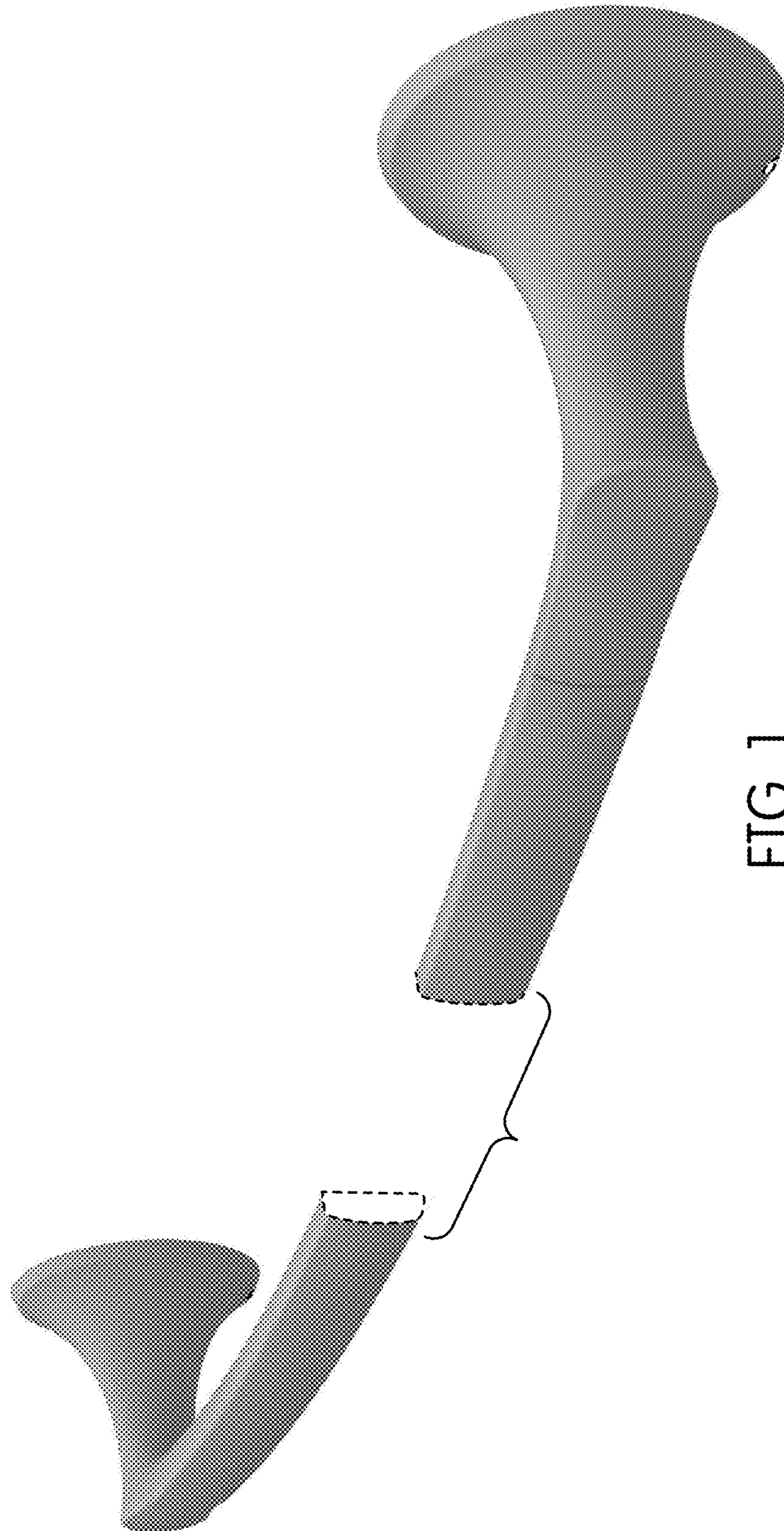


FIG. 1

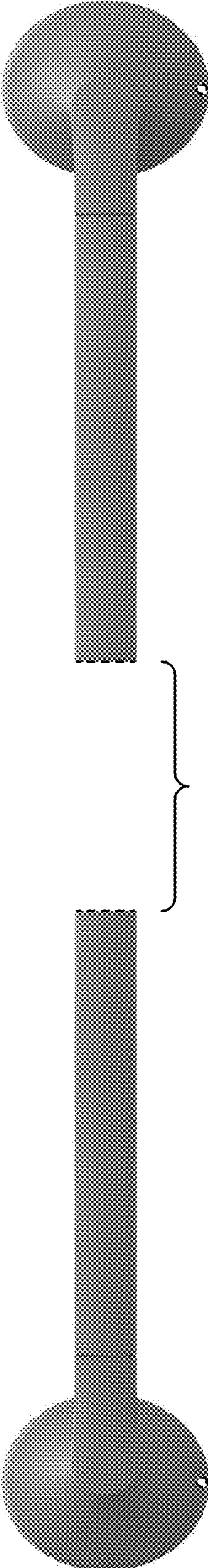


FIG. 2

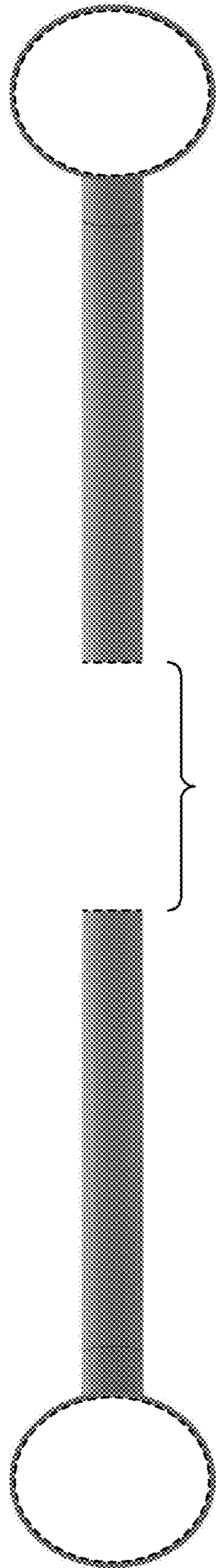


FIG. 3

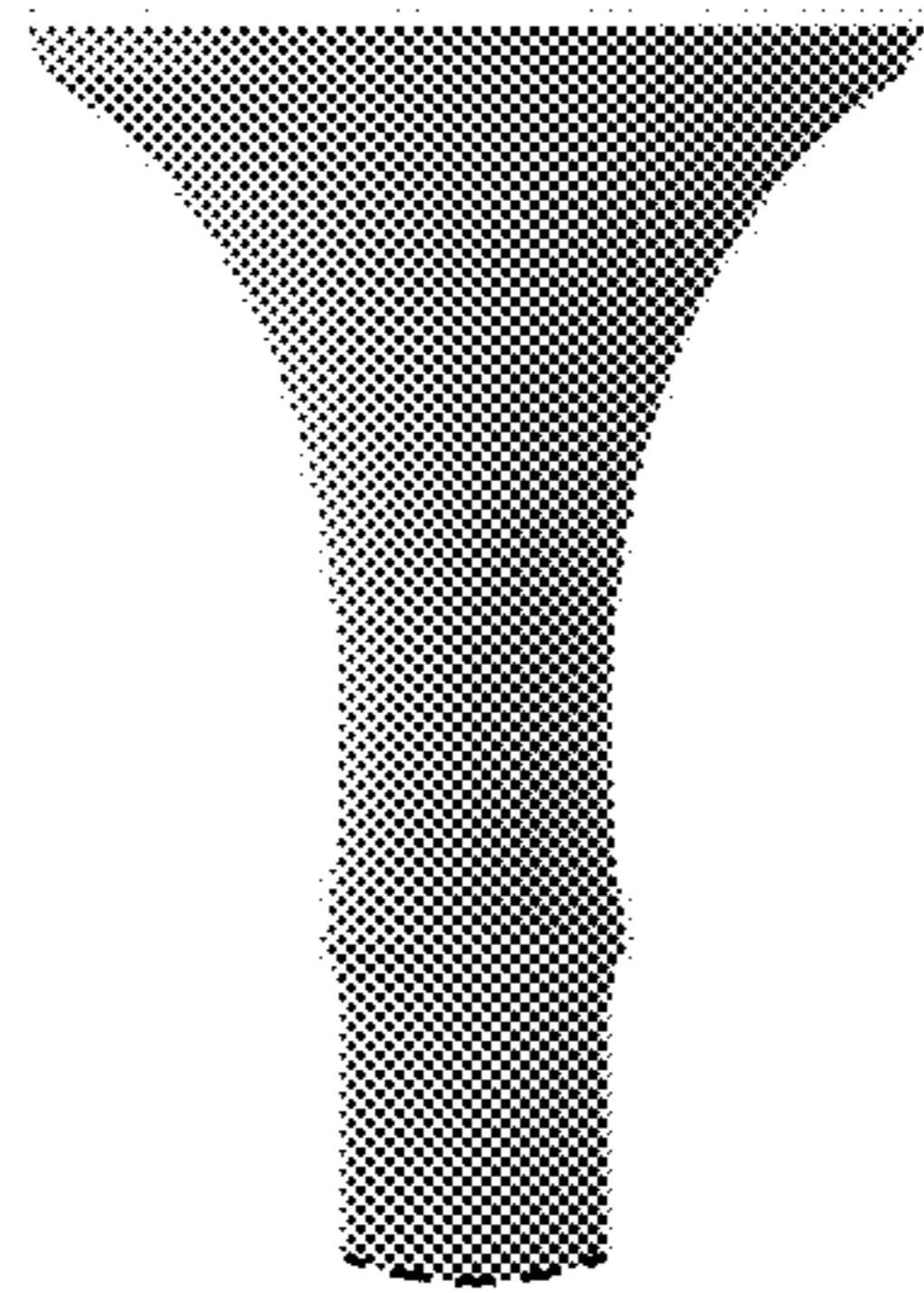


FIG. 4

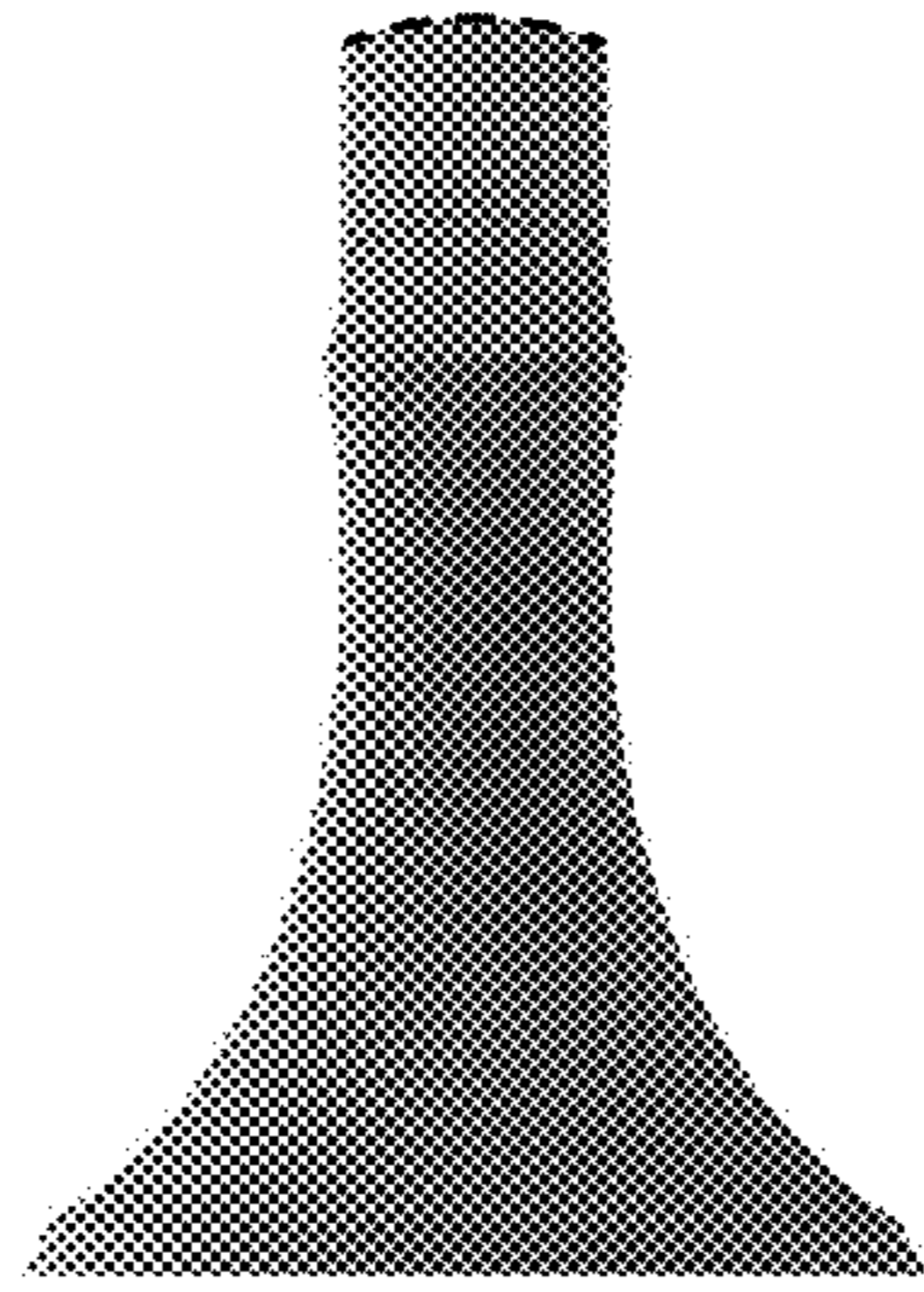


FIG. 5

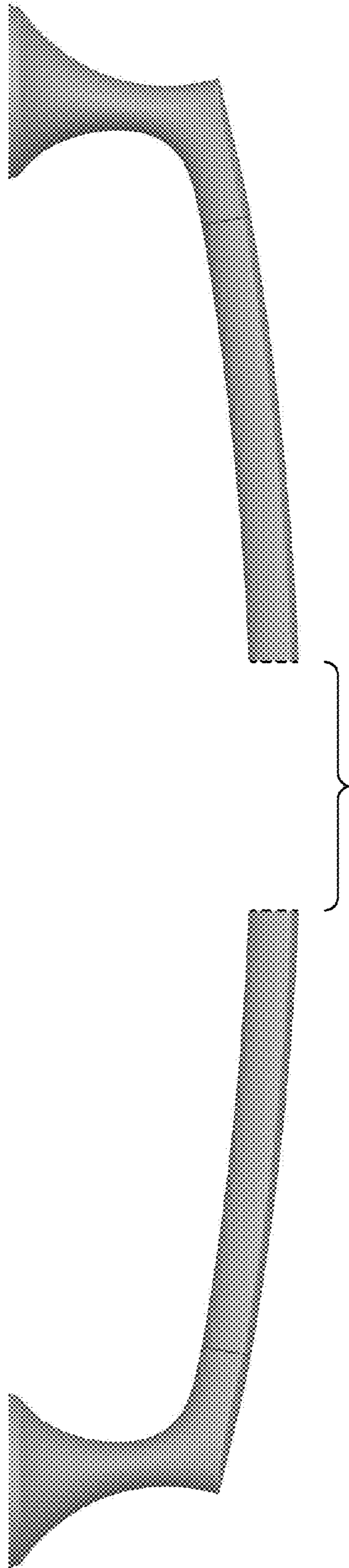


FIG. 6

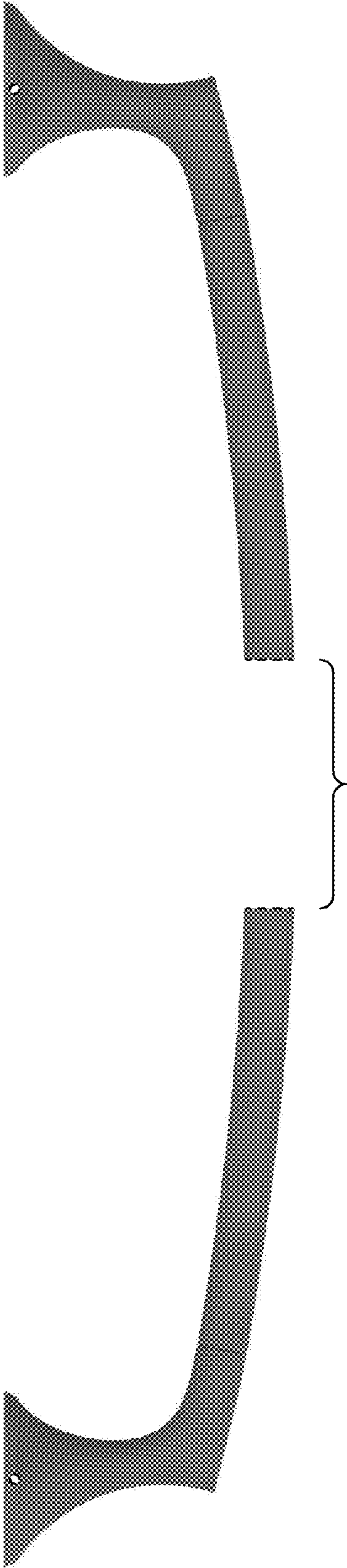


FIG. 7

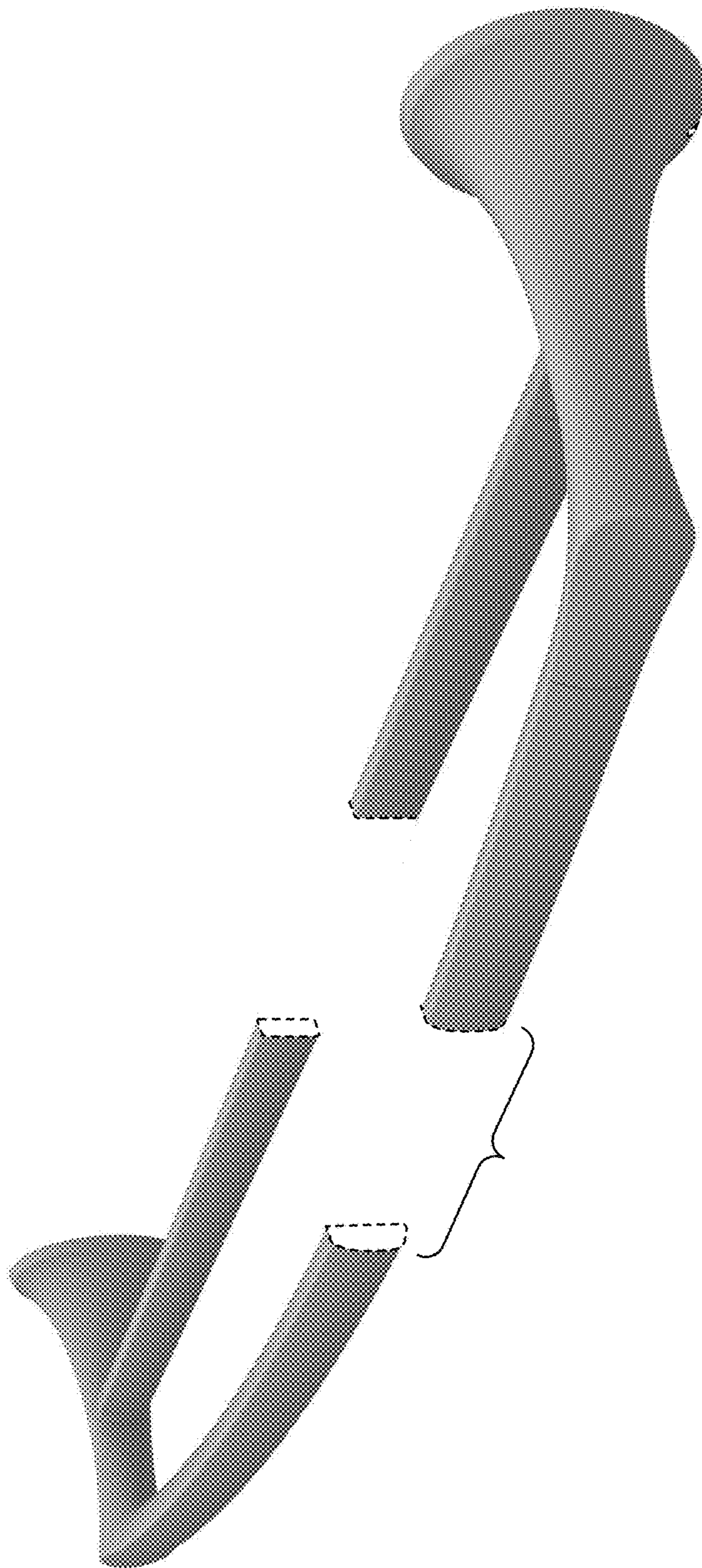


FIG. 8

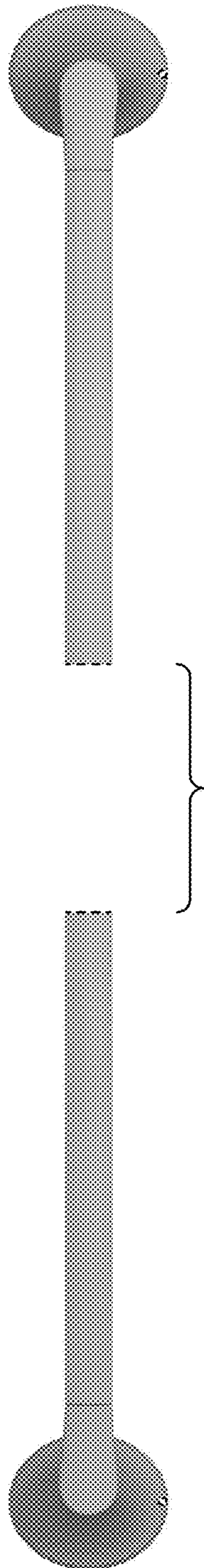


FIG. 9

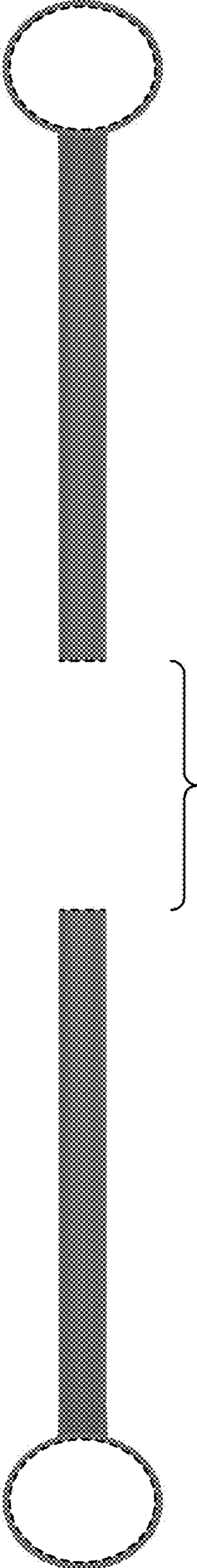


FIG. 10

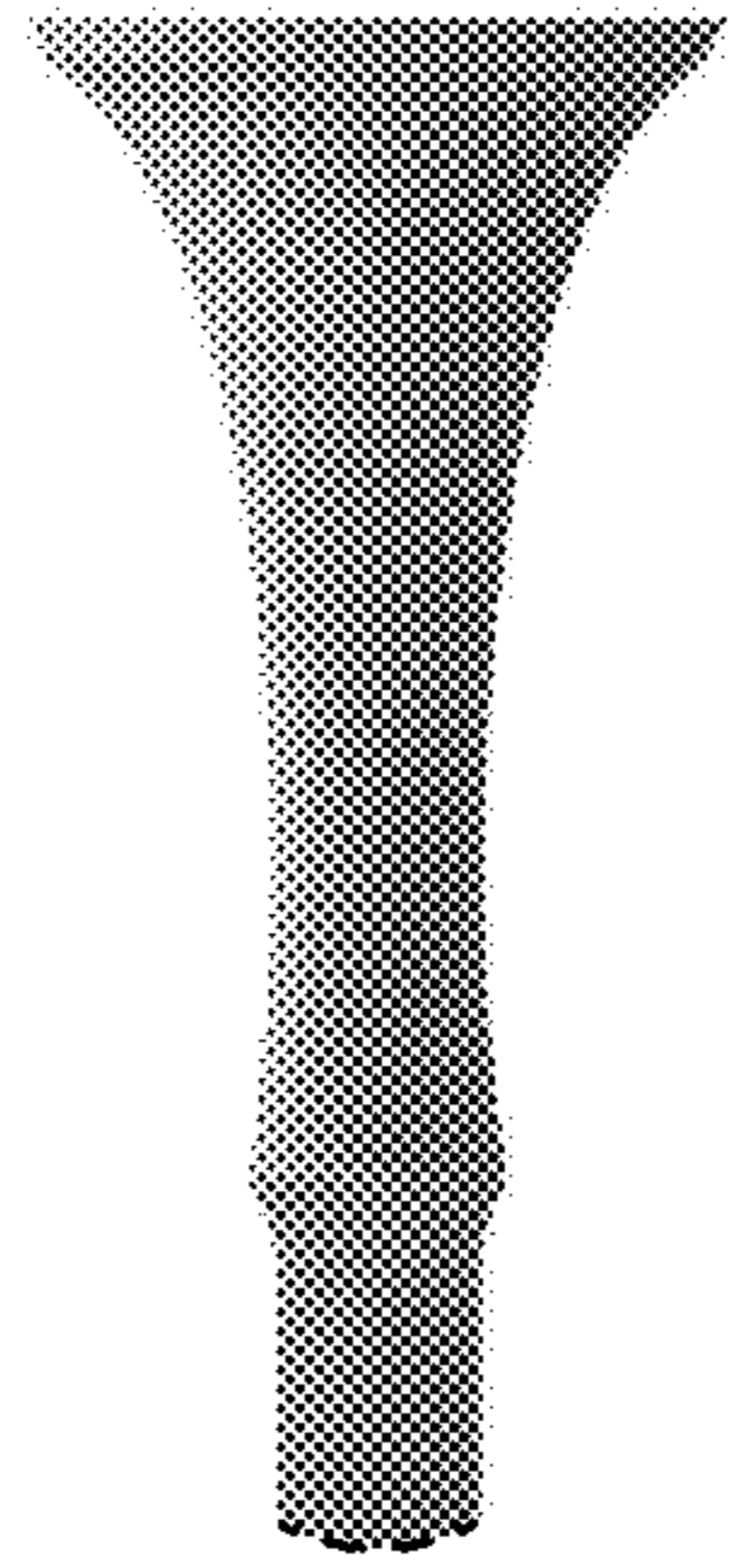


FIG. 11

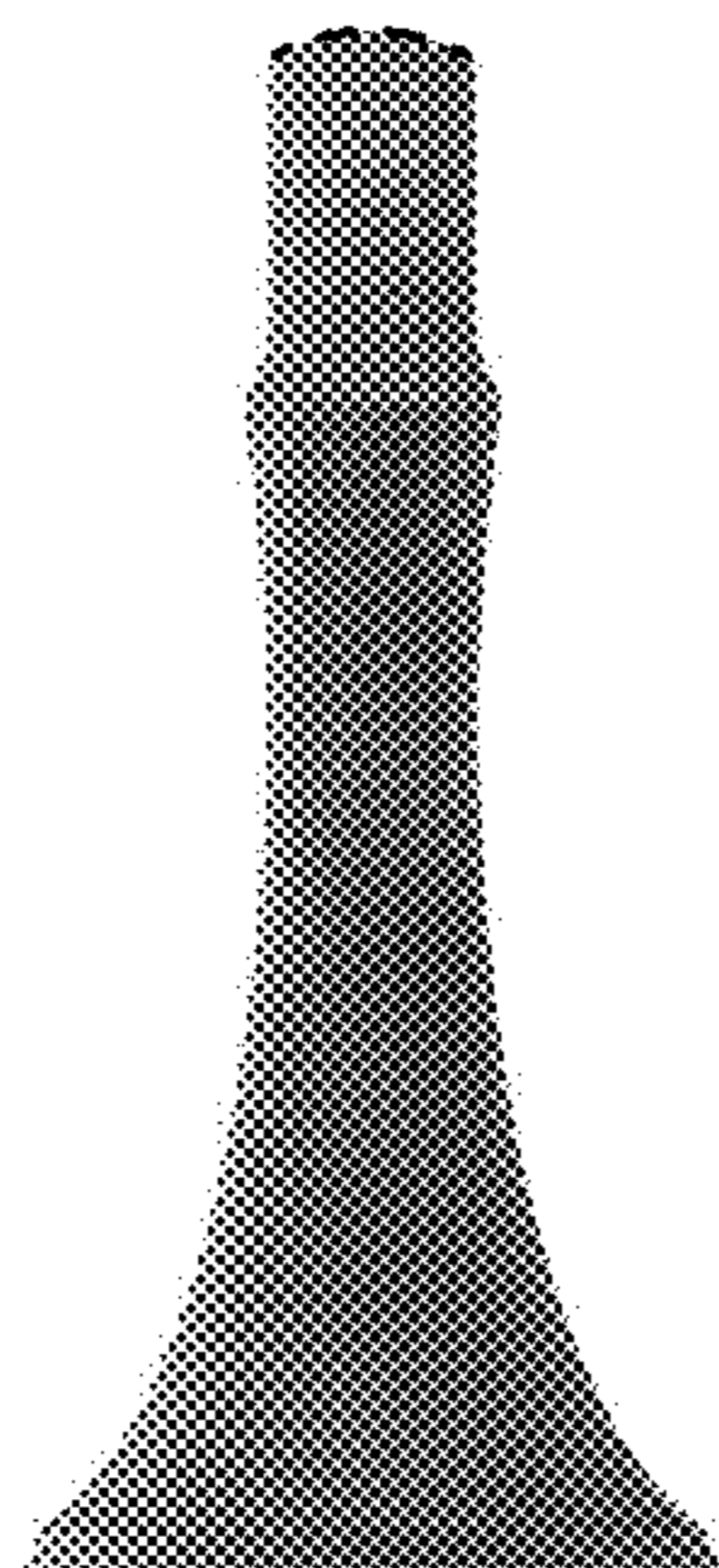


FIG. 12

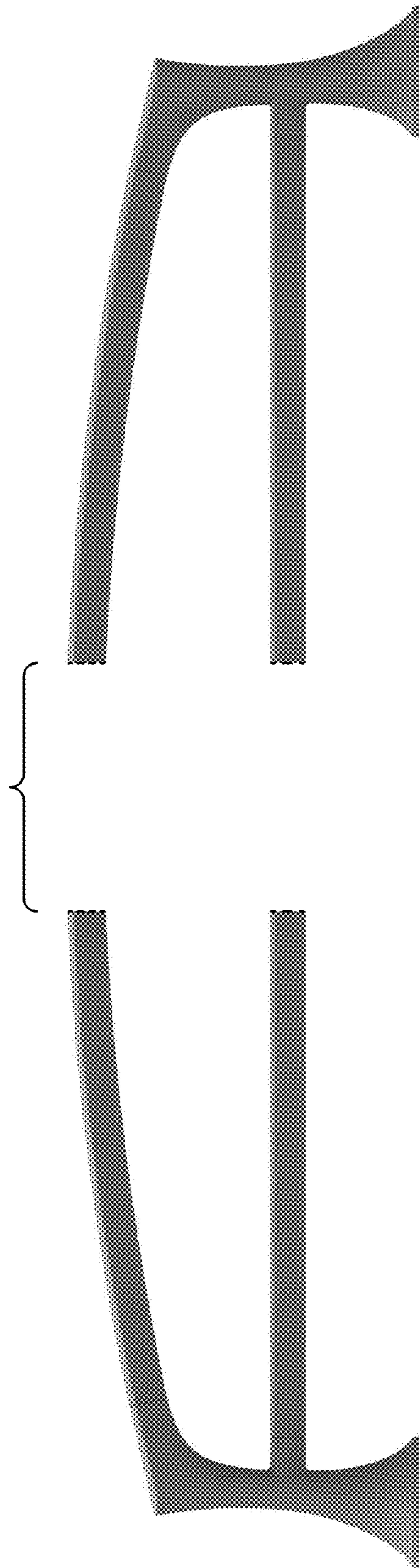


FIG. 13

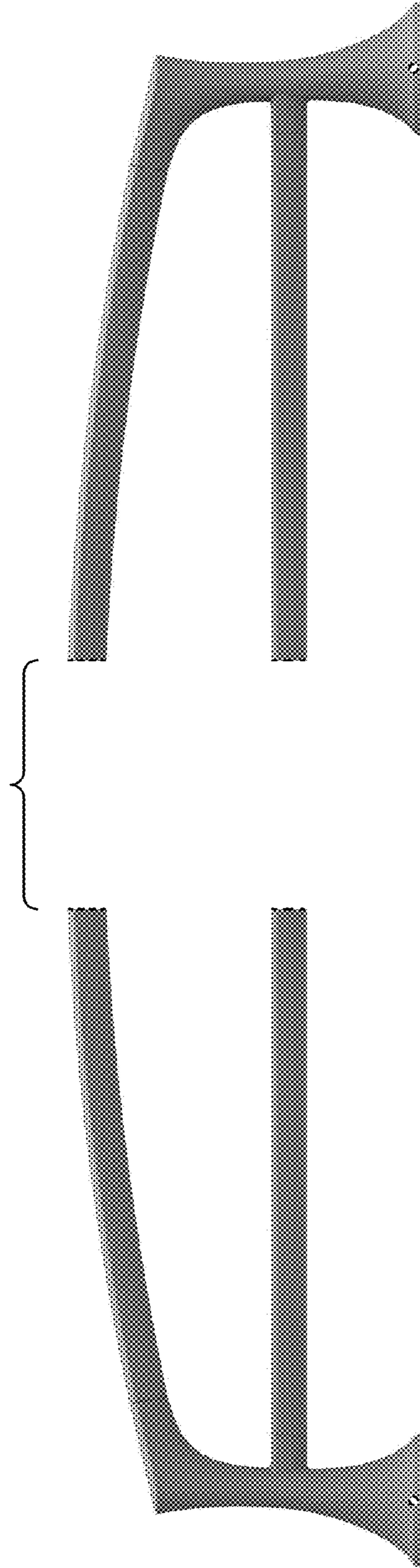


FIG. 14