



US00D861371S

(12) **United States Design Patent**
Orban

(10) **Patent No.:** **US D861,371 S**

(45) **Date of Patent:** **** Oct. 1, 2019**

(54) **BAG DISPENSER**

(71) Applicant: **9252-8595 Quebec Inc.**, Montreal (CA)

(72) Inventor: **Benoit Orban**, St-Lambert (CA)

(73) Assignee: **9252-8595 Quebec Inc.**, Montreal,
Quebec (CA)

(**) Term: **15 Years**

(21) Appl. No.: **29/638,068**

(22) Filed: **Feb. 23, 2018**

(30) **Foreign Application Priority Data**

Feb. 16, 2018 (CA) 179809

(51) **LOC (12) Cl.** **20-02**

(52) **U.S. Cl.**
USPC **D6/518**

(58) **Field of Classification Search**
USPC D6/518, 515-517, 519-523; 206/391,
206/398; 211/13.1; 242/588.6, 598;
312/34.1, 34.8

CPC A01K 23/00; E01H 1/1206; E01H
2001/126; E01H 2001/1273; E01H
2001/128; E01H 2001/1286; B65D 85/04;
B65D 85/672; A47F 7/00; A47G 21/12

See application file for complete search history.

(56) **References Cited**

U.S. PATENT DOCUMENTS

D460,233 S * 7/2002 Strubin D34/1
D576,433 S * 9/2008 Che D30/153
D627,665 S * 11/2010 Strubin D9/423
8,544,413 B1 10/2013 Gnanendran

D716,014 S * 10/2014 Gnanendran D34/5
D718,553 S 12/2014 Gnanendran
D728,259 S 5/2015 Gnanendran
D779,227 S * 2/2017 Abbott D6/518

* cited by examiner

Primary Examiner — Wan Laymon

Assistant Examiner — Mark Booker

(74) *Attorney, Agent, or Firm* — Nelson Mullins Riley &
Scarborough, LLP

(57) **CLAIM**

The ornamental design of a bag dispenser, as shown and described.

DESCRIPTION

FIG. 1 is a top left perspective view of a bag dispenser embodying the design of the present invention;

FIG. 2 is a top right perspective view of the bag dispenser of FIG. 1;

FIG. 3 is a left side elevation view of the bag dispenser of FIG. 1;

FIG. 4 is a right side elevation view of the bag dispenser of FIG. 1;

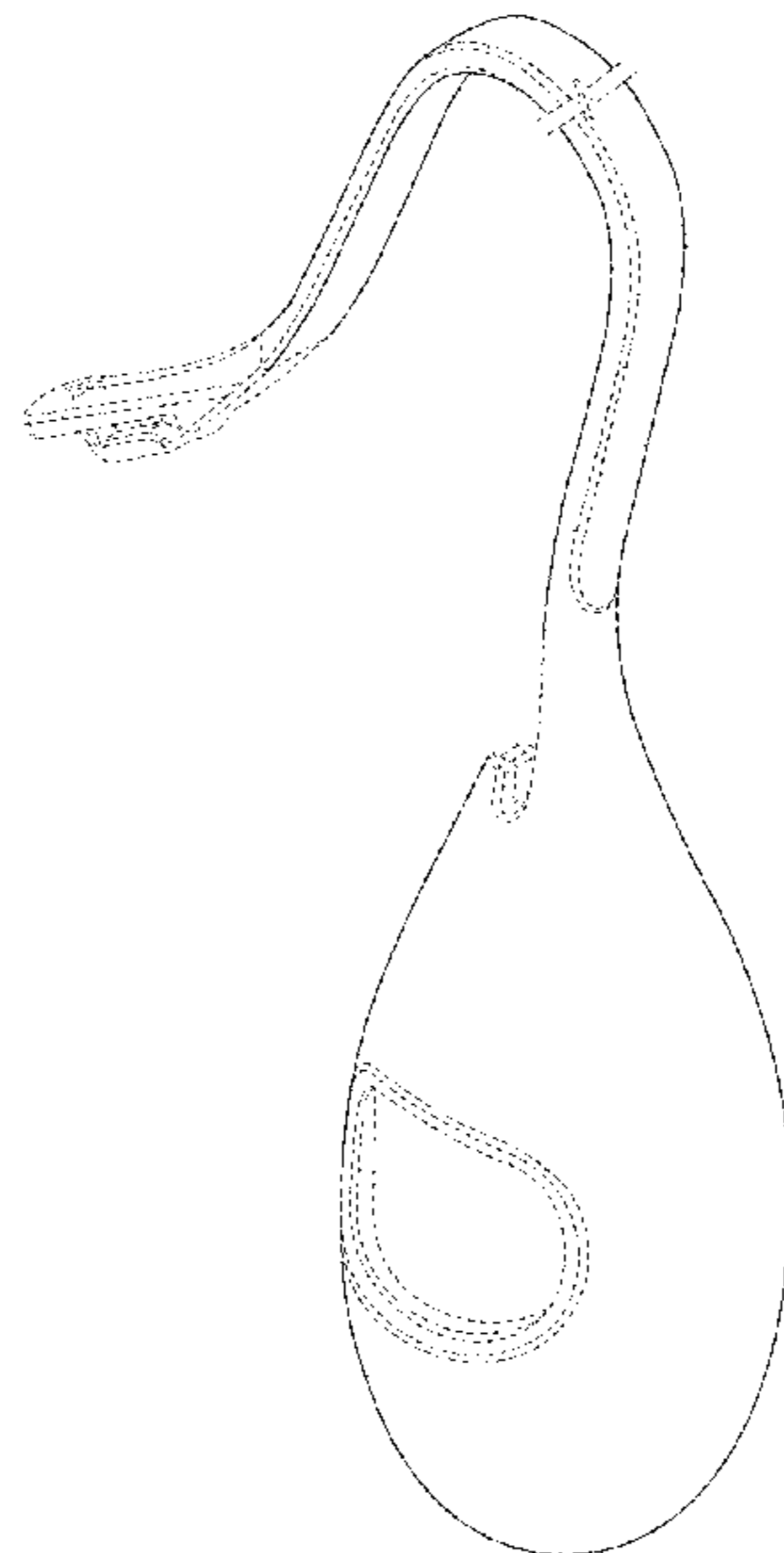
FIG. 5 is a rear elevation view of the bag dispenser of FIG. 1;

FIG. 6 is a front elevation view of the bag dispenser of FIG. 1;

FIG. 7 is a top plan view of the bag dispenser of FIG. 1; and, FIG. 8 is a bottom plan view of the bag dispenser of FIG. 1.

The broken lines shown in the figures represent portions of the bag dispenser that form no part of the claimed design. The bag dispenser is shown with a symbolic break in its length. The appearance of an portion of the article between the break lines forms no part of the claimed design.

1 Claim, 7 Drawing Sheets



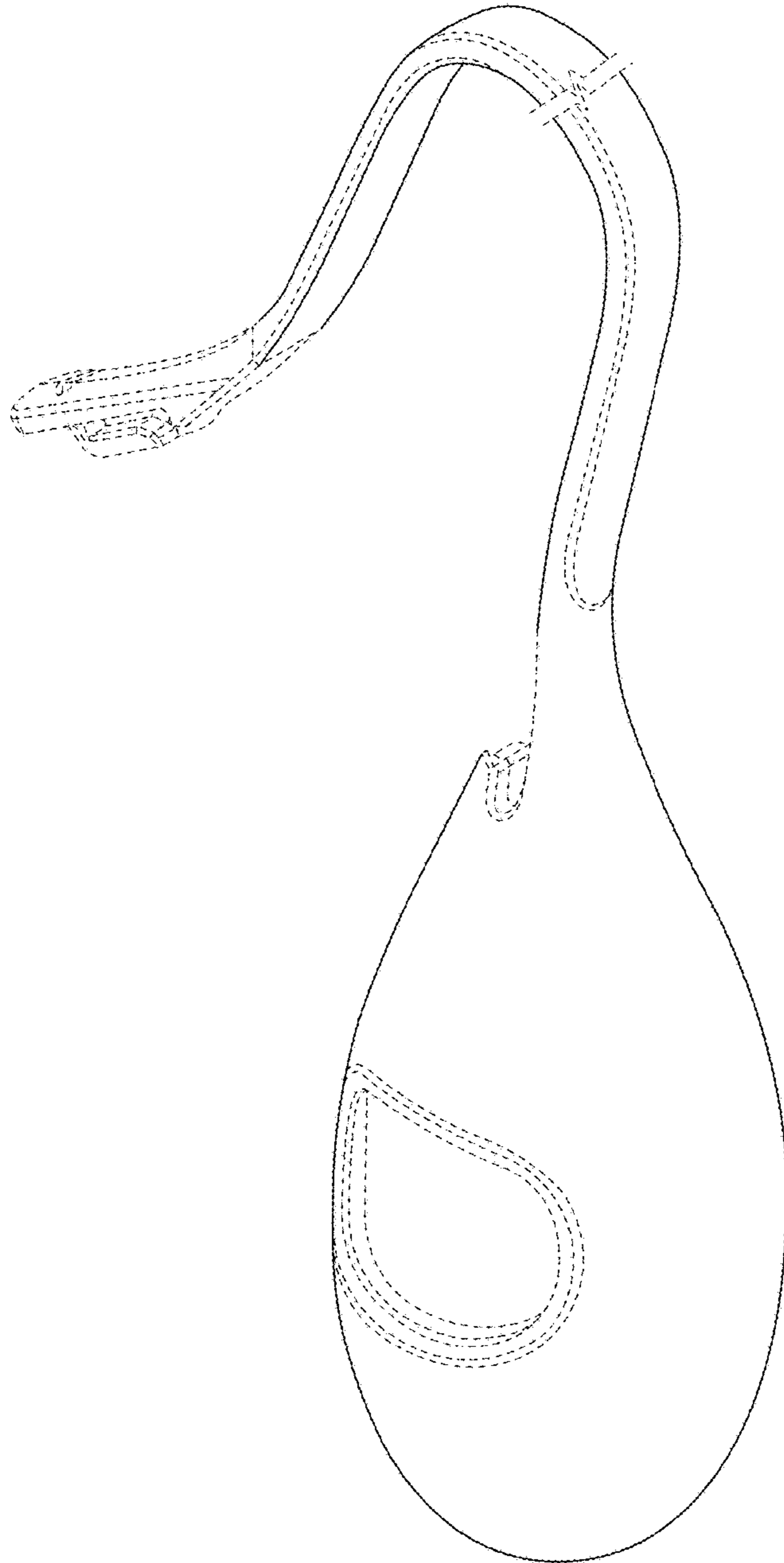


FIG. 1

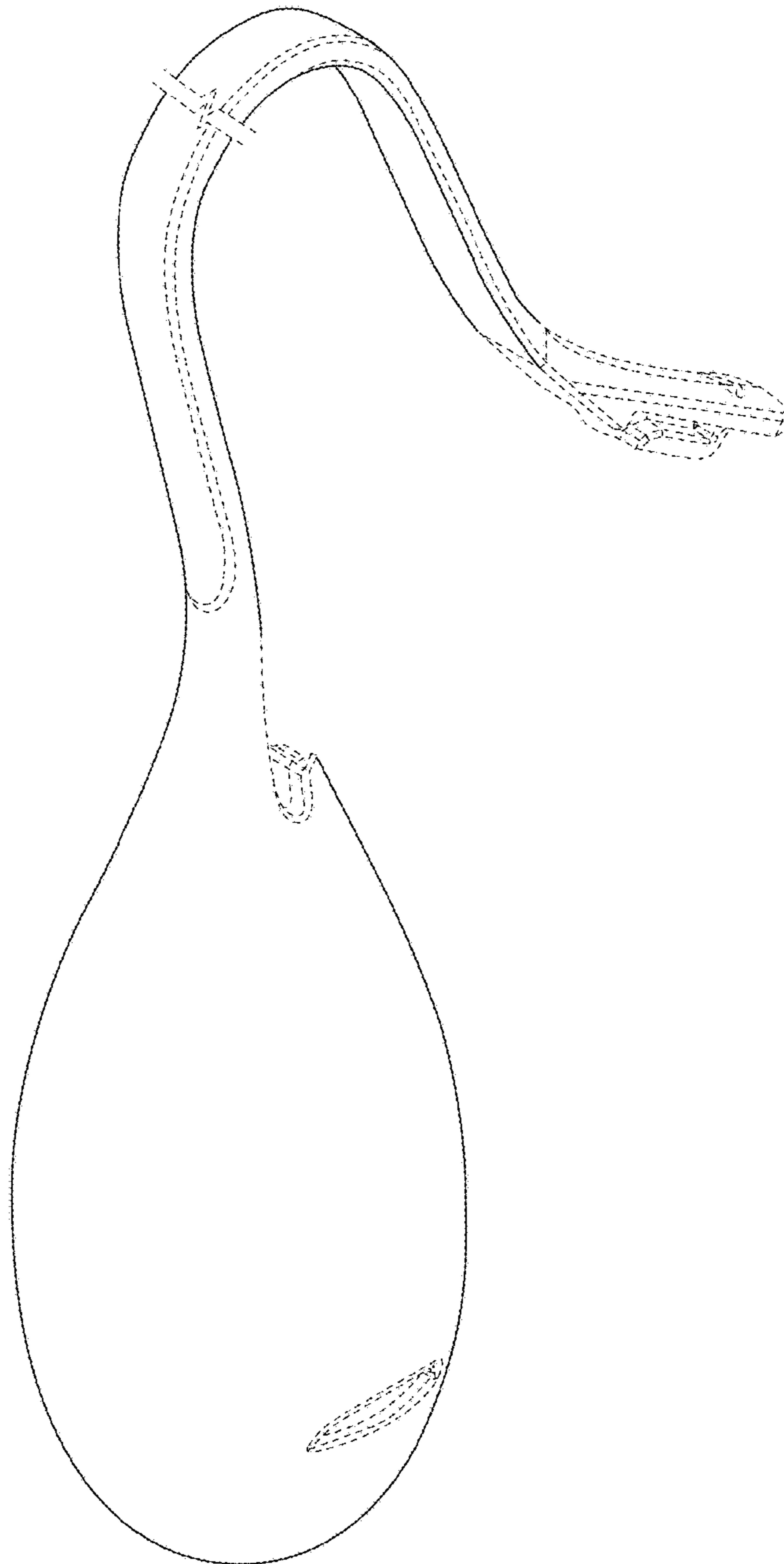


FIG. 2

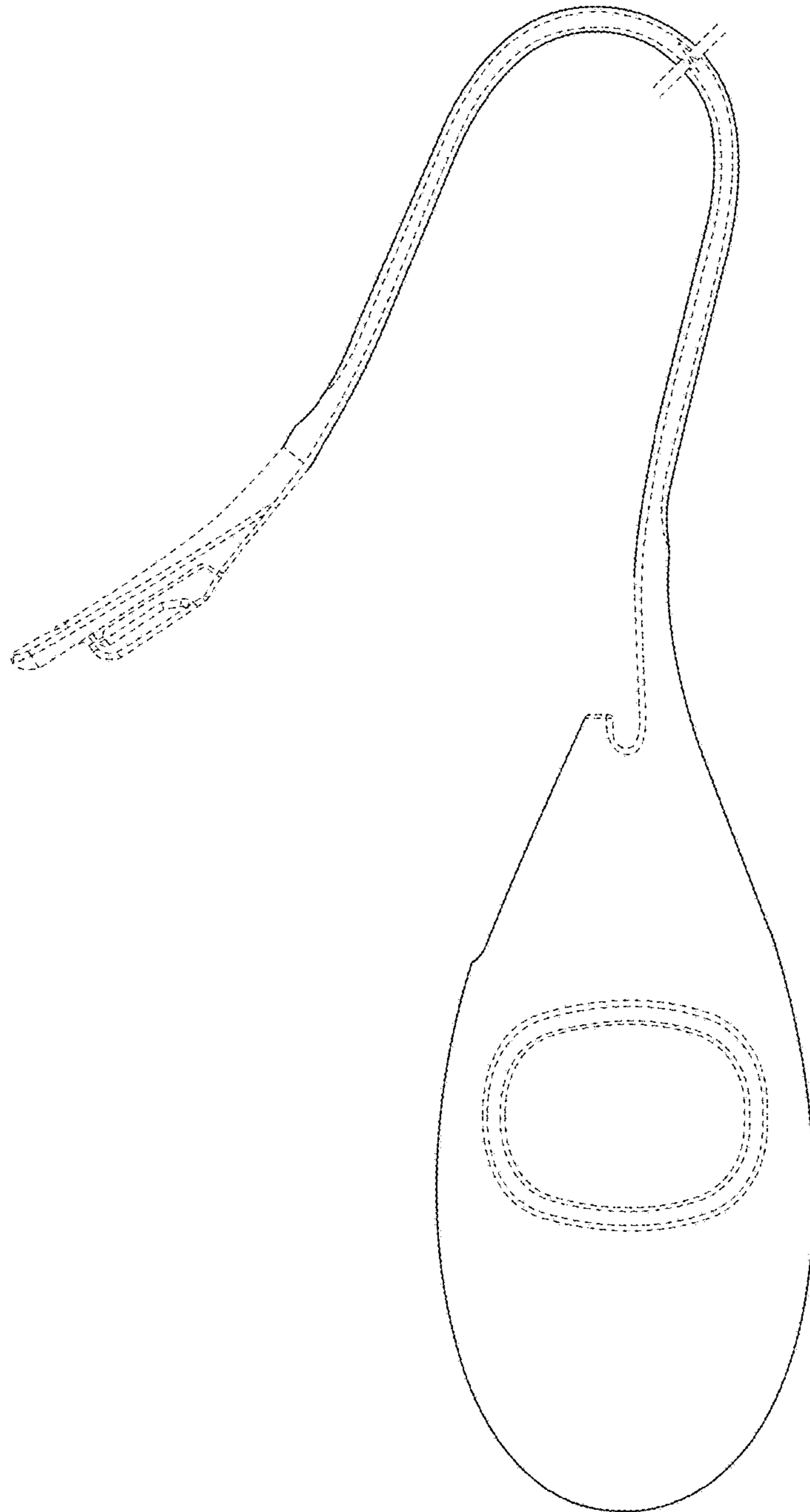


FIG. 3

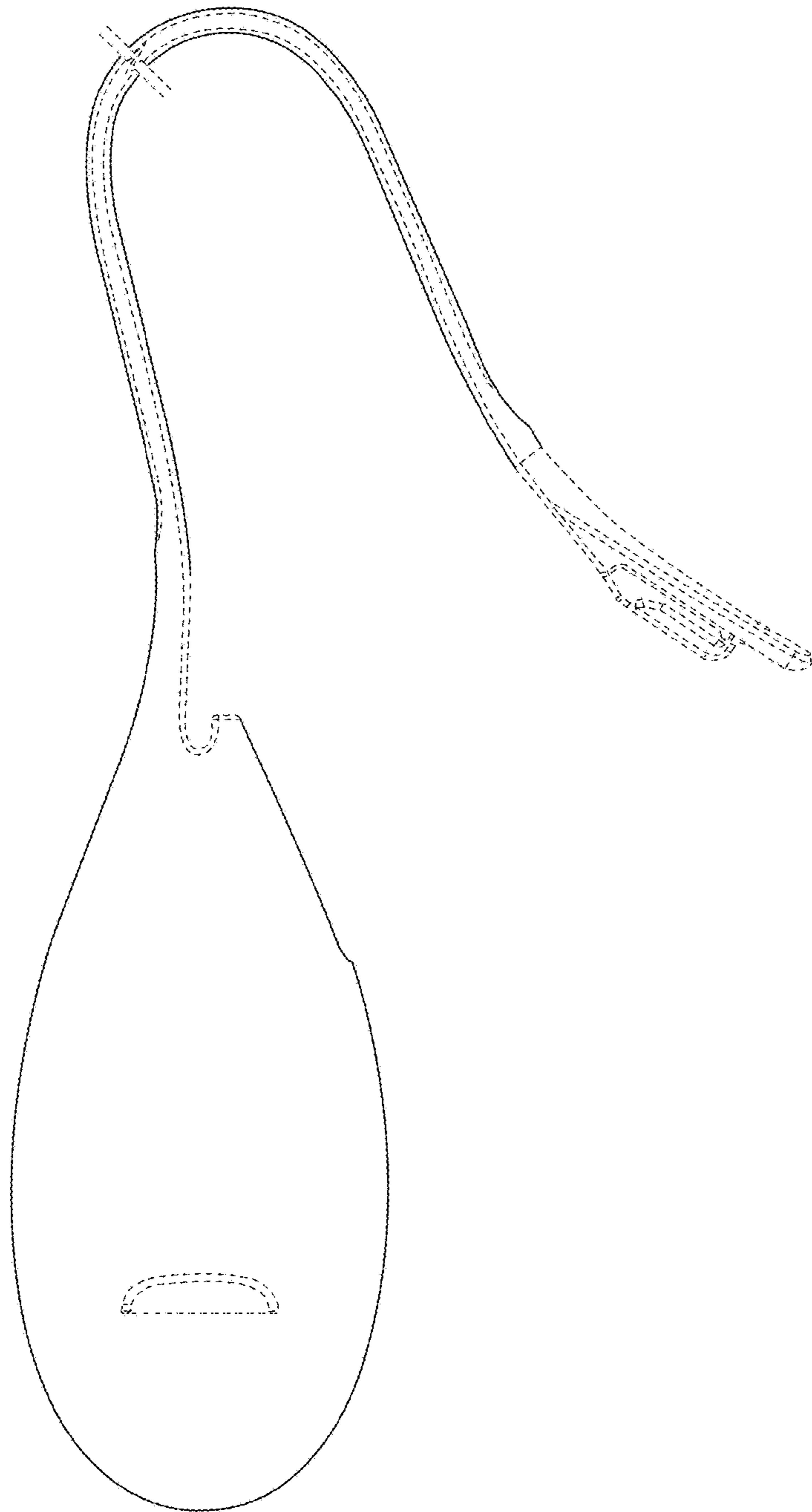


FIG. 4

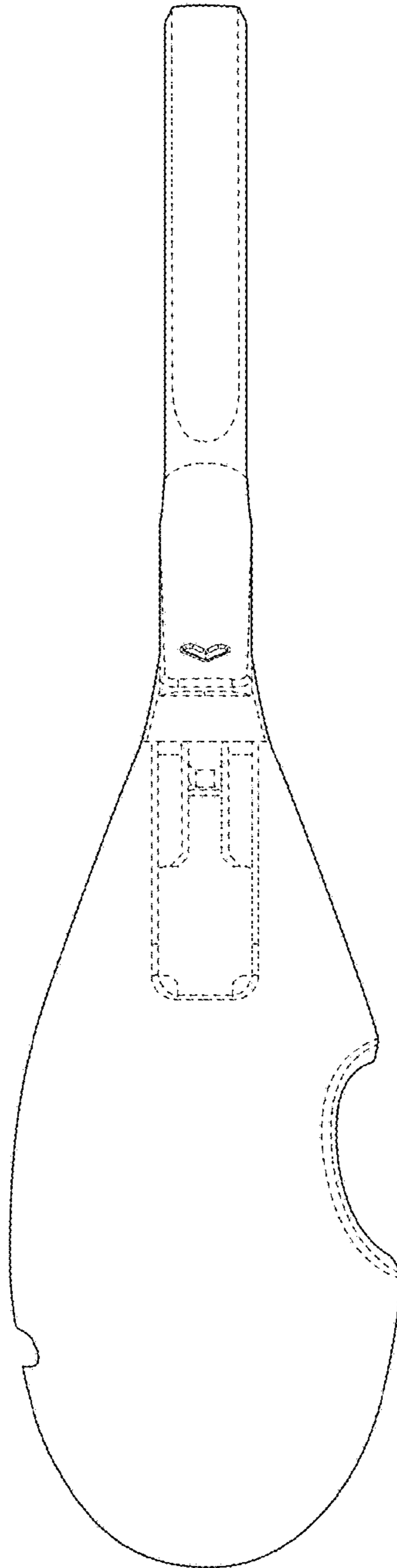


FIG. 5

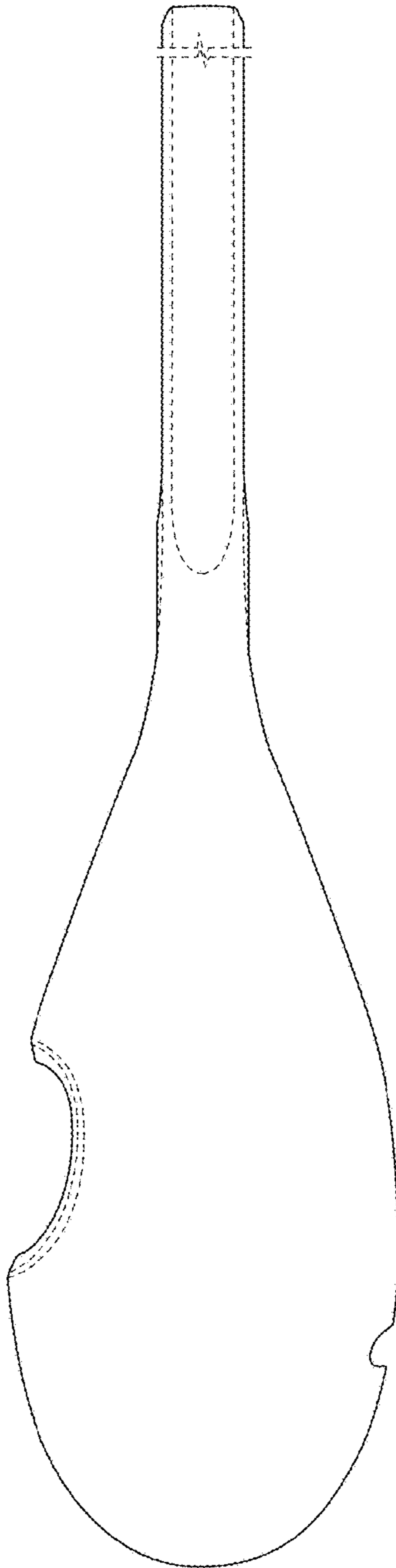


FIG. 6

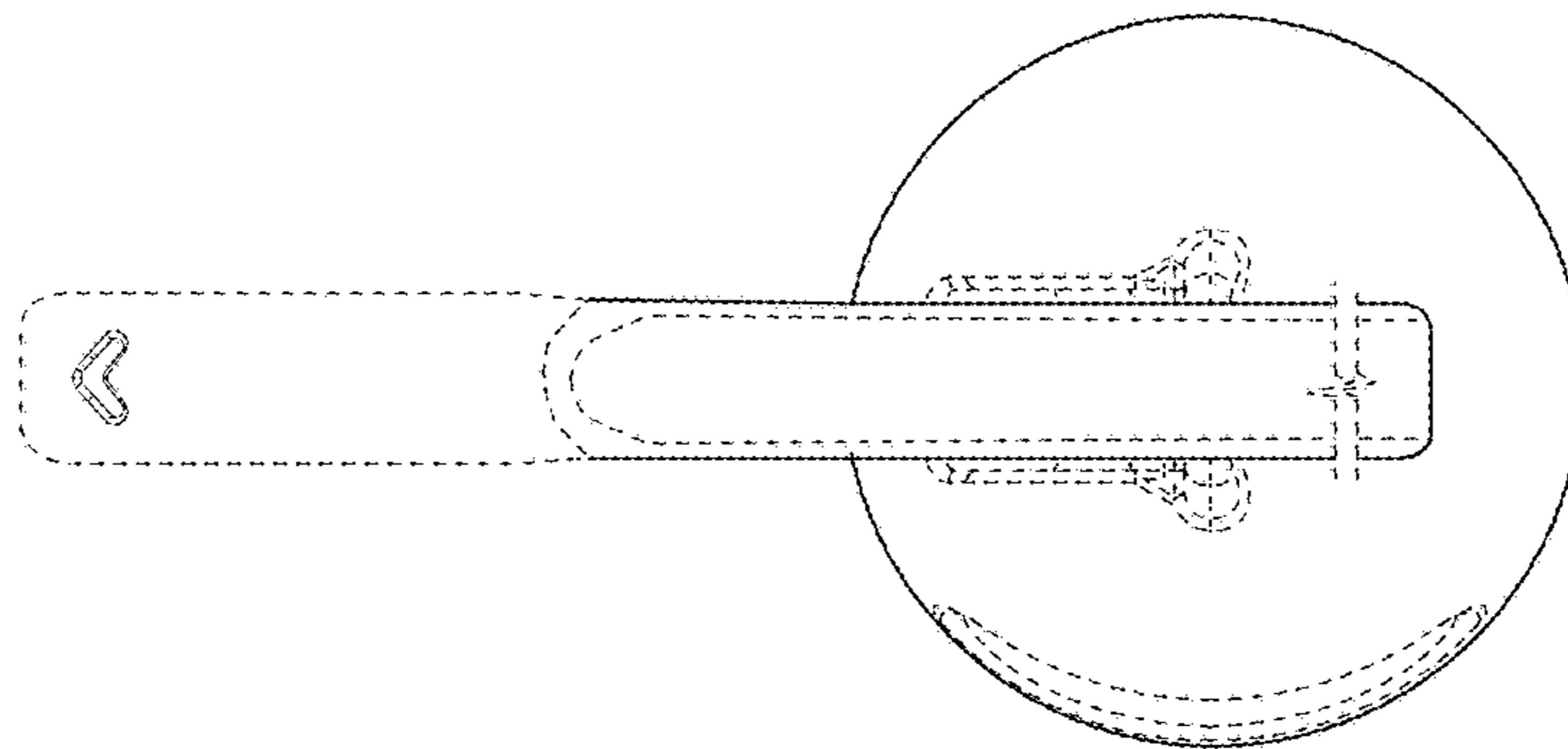


FIG. 7

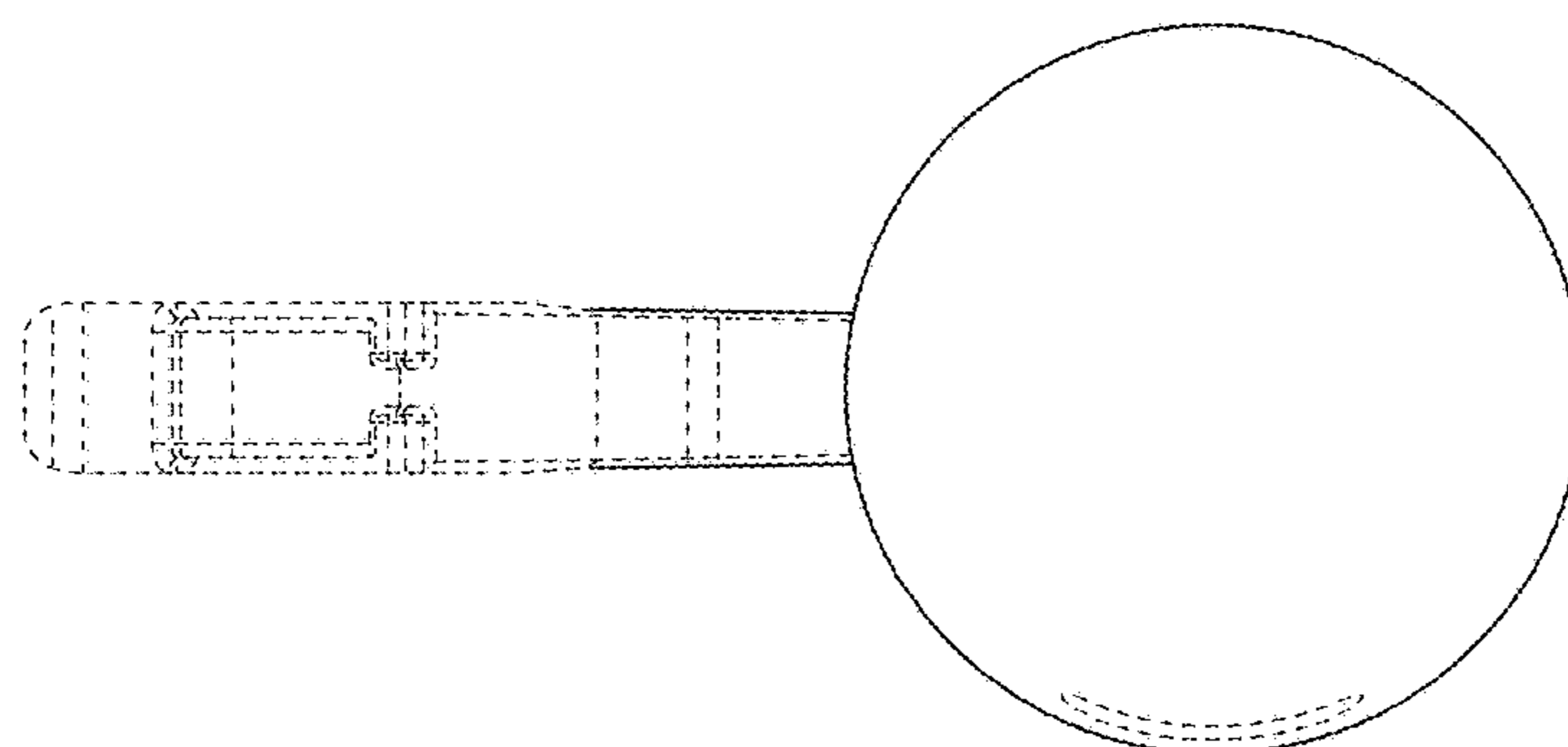


FIG. 8