



US00D861365S

(12) **United States Design Patent**
Figdor

(10) **Patent No.:** **US D861,365 S**

(45) **Date of Patent:** **** *Oct. 1, 2019**

(54) **SPLIT EGG CHAIR**

(71) Applicant: **William M. Figdor**, Maplewood, NJ
(US)

(72) Inventor: **William M. Figdor**, Maplewood, NJ
(US)

(*) Notice: This patent is subject to a terminal disclaimer.

(**) Term: **15 Years**

(21) Appl. No.: **29/592,006**

(22) Filed: **Jan. 25, 2017**

(51) **LOC (12) Cl.** **06-01**

(52) **U.S. Cl.**
USPC **D6/364**

(58) **Field of Classification Search**
USPC D6/334, 341, 342, 347, 360, 364, 365,
D6/386, 387, 389, 643, 650, 677, 716,
D6/718.1, 718.11; D21/521; D23/292;
D12/52, 322
CPC A47C 3/02; A47C 3/12; A47C 3/18; A47C
3/0255; A47C 7/443; A47C 15/008; A47C
17/84; A47D 9/00; A47D 13/02; A47D
13/10; A47D 13/105; B61B 12/00; A63G
9/00; A63G 9/02; A45F 3/22; A45F 3/24;
A45F 3/26

See application file for complete search history.

(56) **References Cited**

U.S. PATENT DOCUMENTS

D212,801 S	*	11/1968	Aarnio	D6/365
D245,924 S	*	9/1977	Hansen	D25/35
D282,970 S	*	3/1986	Parkin	D25/16
D315,644 S	*	3/1991	White	D6/344
D346,070 S	*	4/1994	Kither	D6/333
D348,361 S	*	7/1994	Beecher	D6/364
D420,520 S	*	2/2000	Johnston	D6/334

(Continued)

Primary Examiner — Kevin K Rudzinski

Assistant Examiner — Paul D Bohannon

(74) *Attorney, Agent, or Firm* — Bakos & Kritzer

(57) **CLAIM**

The ornamental design for a split egg chair, as shown and described.

DESCRIPTION

FIG. 1 is a front view of a split egg chair showing the new design, wherein the top piece of the split egg chair is in a first position;

FIG. 2 is a rear view thereof, wherein the top piece of the split egg chair is in the first position;

FIG. 3 is a left side view thereof, wherein the top piece of the split egg chair is in the first position;

FIG. 4 is a right side view thereof, wherein the top piece of the split egg chair is in the first position;

FIG. 5 is a top view thereof, wherein the top piece of the split egg chair is in the first position;

FIG. 6 is a bottom view thereof, wherein the top piece of the split egg chair is in the first position;

FIG. 7 is an elevated perspective view thereof, wherein the top piece of the split egg chair is in the first position;

FIG. 8 is a front view of a split egg chair showing the new design, wherein the top piece of the split egg chair is in a second position;

FIG. 9 is a rear view thereof, wherein the top piece of the split egg chair is in the second position;

FIG. 10 is a left side view thereof, wherein the top piece of the split egg chair is in the second position;

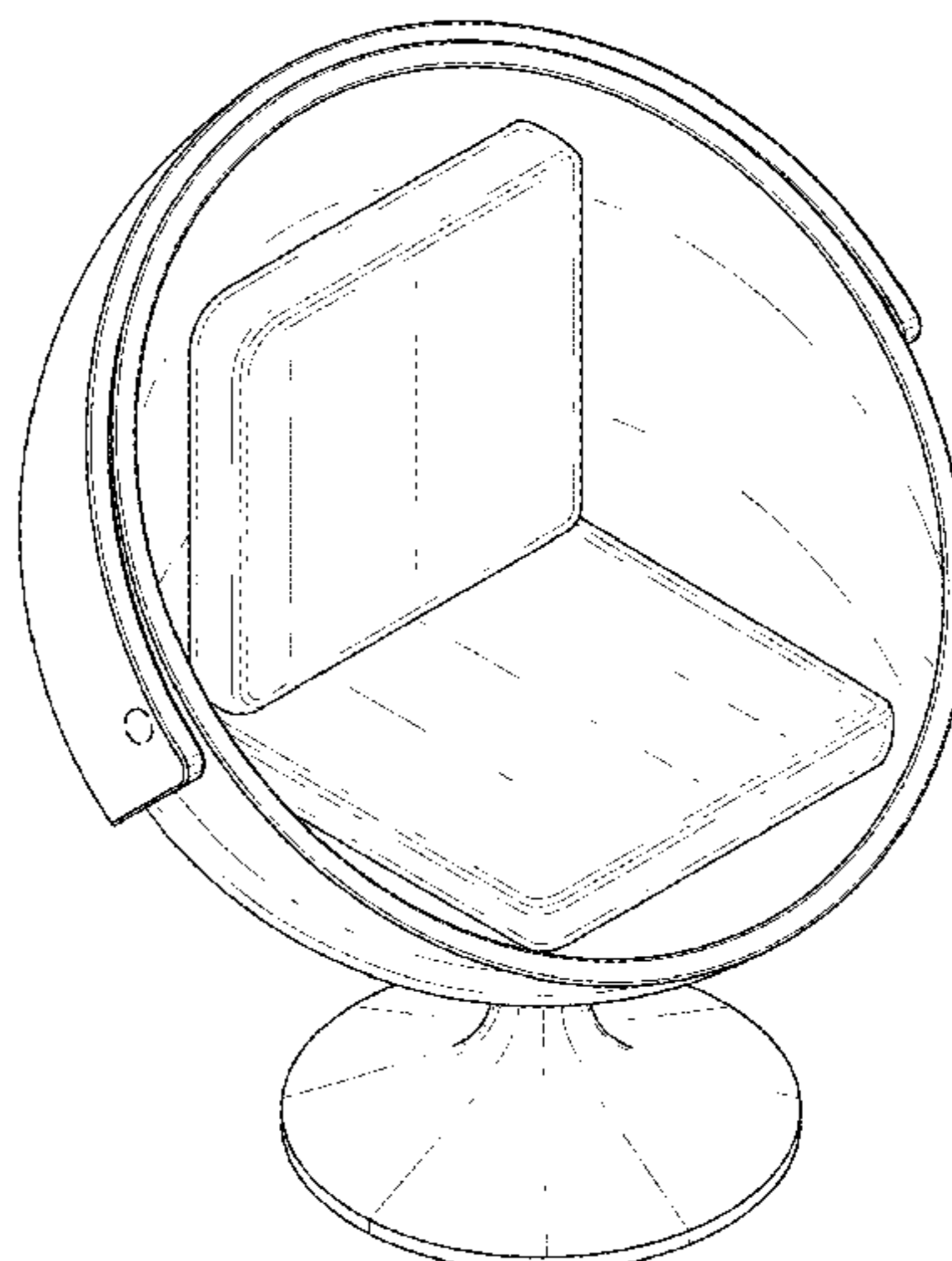
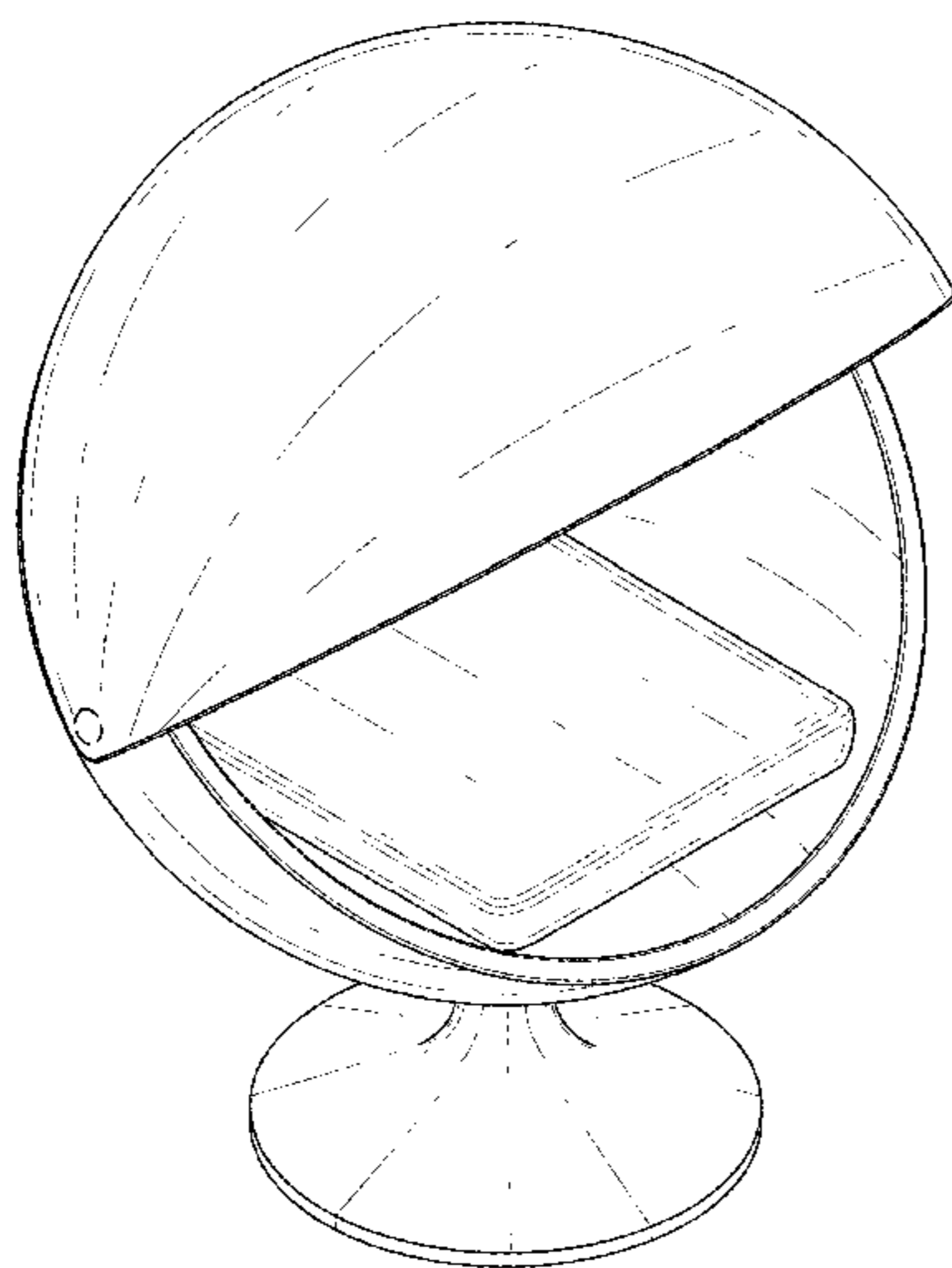
FIG. 11 is a right side view thereof, wherein the top piece of the split egg chair is in the second position;

FIG. 12 is a top view thereof, wherein the top piece of the split egg chair is in the second position;

FIG. 13 is a bottom view thereof, wherein the top piece of the split egg chair is in the second position; and,

FIG. 14 is an elevated perspective view thereof, wherein the top piece of the split egg chair is in the second position.

1 Claim, 13 Drawing Sheets



(56)

References Cited

U.S. PATENT DOCUMENTS

D539,049 S *	3/2007	Zimmermann	D6/358
D552,853 S *	10/2007	Goodrick	D30/118
D651,005 S *	12/2011	Wodecki	D6/358
D660,034 S *	5/2012	Frety	D6/369
D699,494 S *	2/2014	Kac-Yuglich	D6/716
D702,953 S *	4/2014	Beucler	D6/334
D704,465 S *	5/2014	Massaud	D6/364
D787,842 S *	5/2017	Lenton	D6/334
D819,989 S *	6/2018	Hassman	D6/345
D820,018 S *	6/2018	Bellin	D6/716
D831,988 S *	10/2018	Passmore	D6/334
D843,743 S *	3/2019	Muller	D6/334
D844,357 S *	4/2019	Buffon	D6/716

* cited by examiner

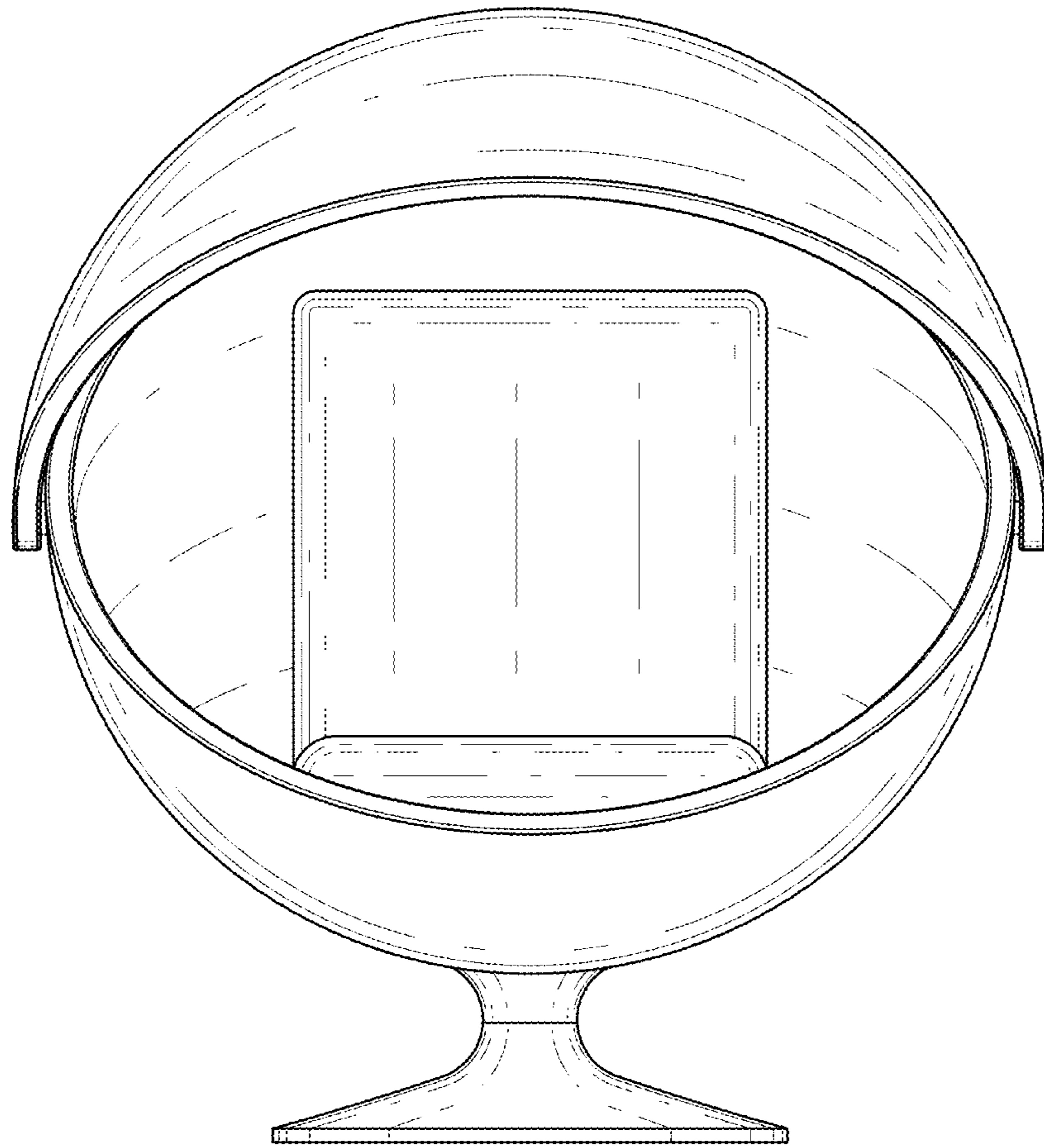


FIG. 1

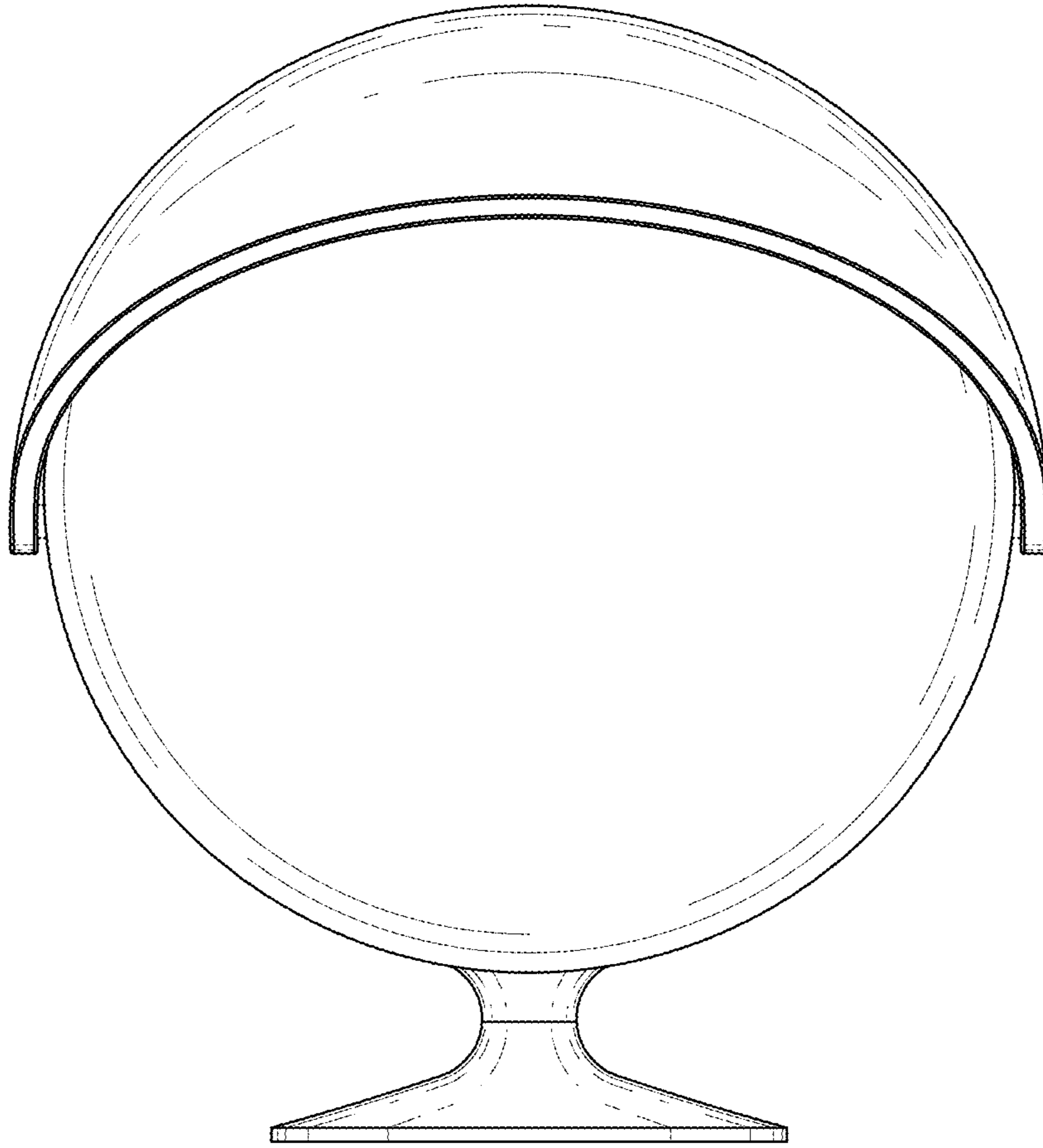


FIG. 2

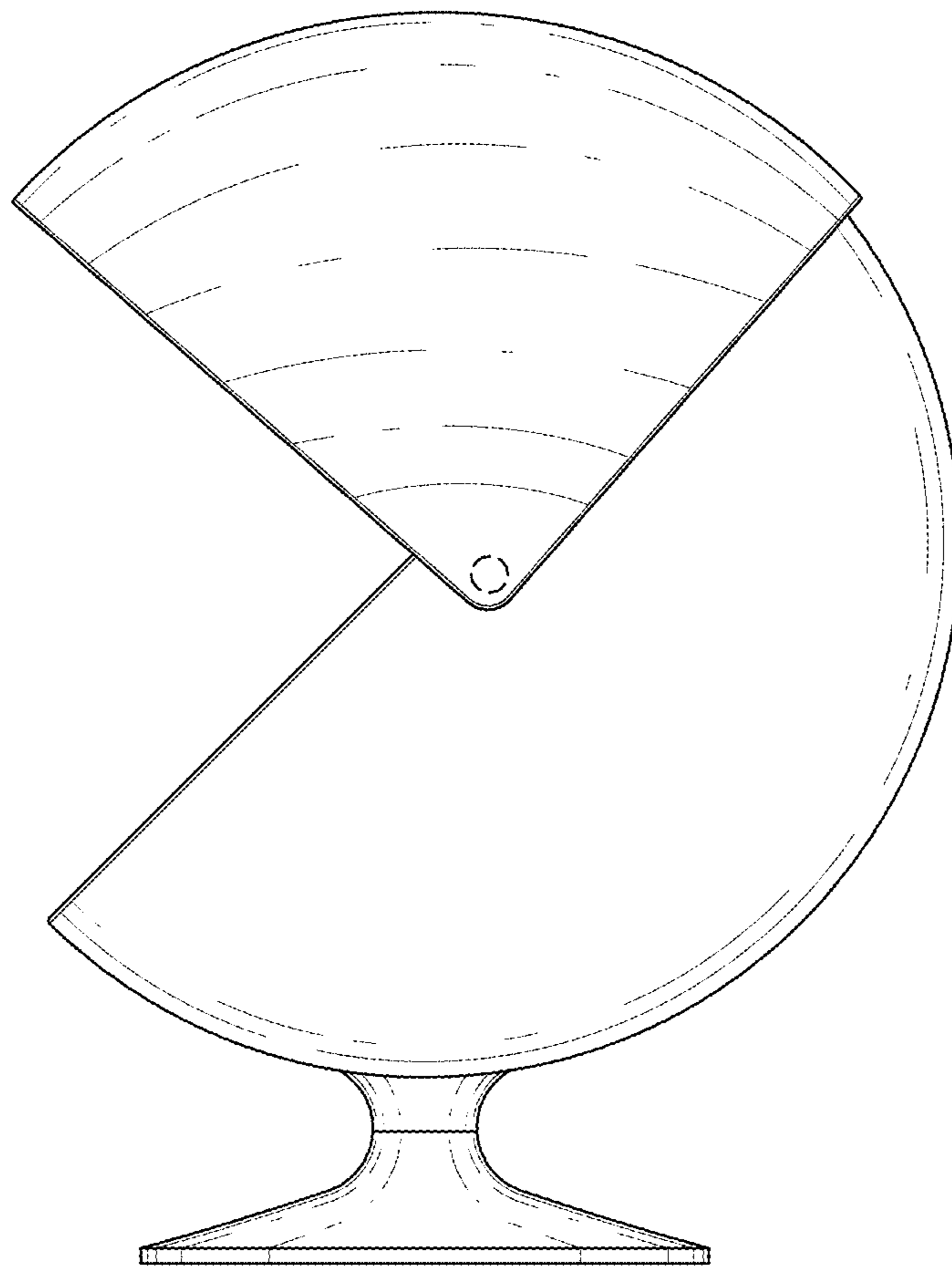


FIG. 3

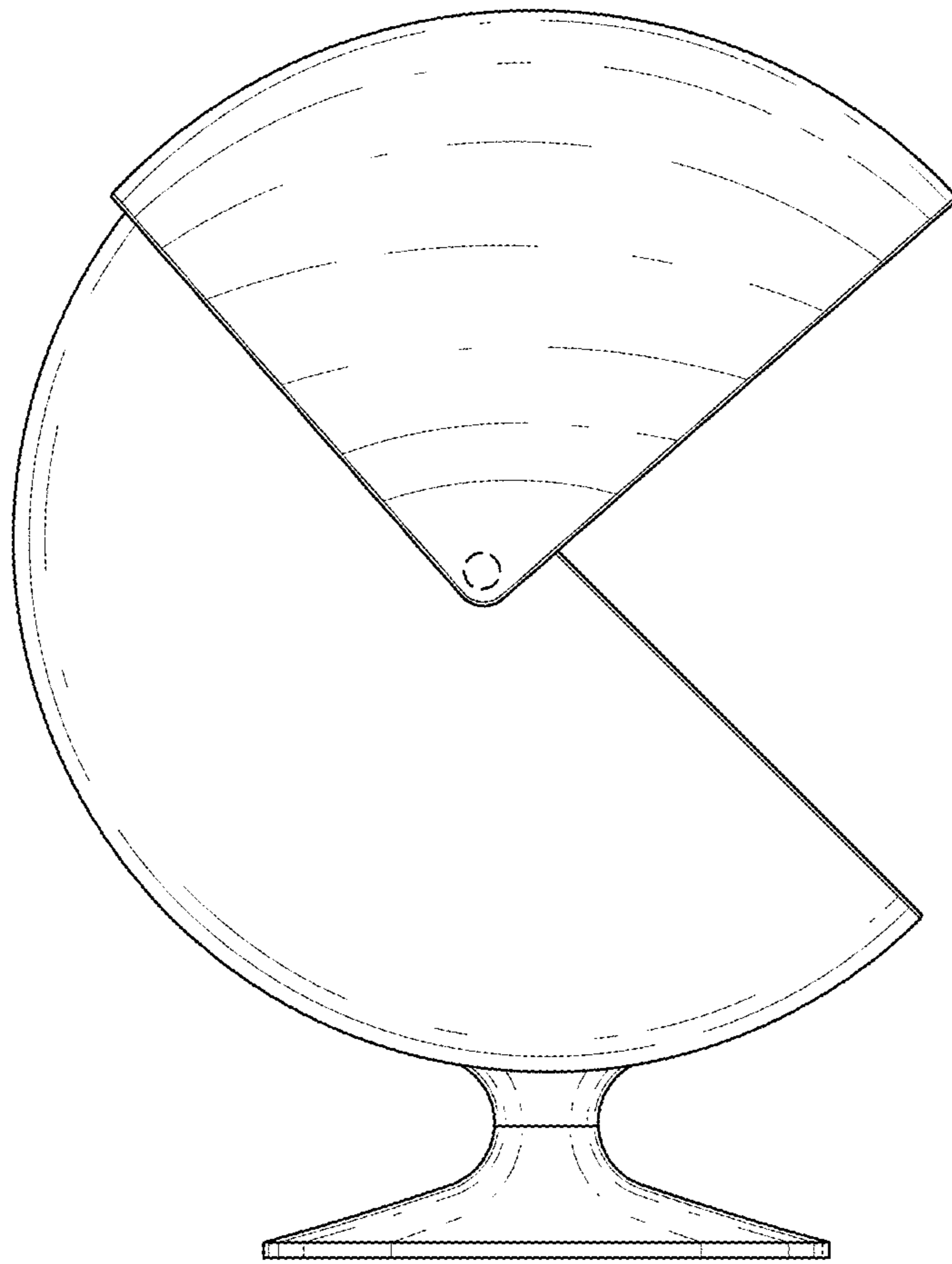


FIG. 4

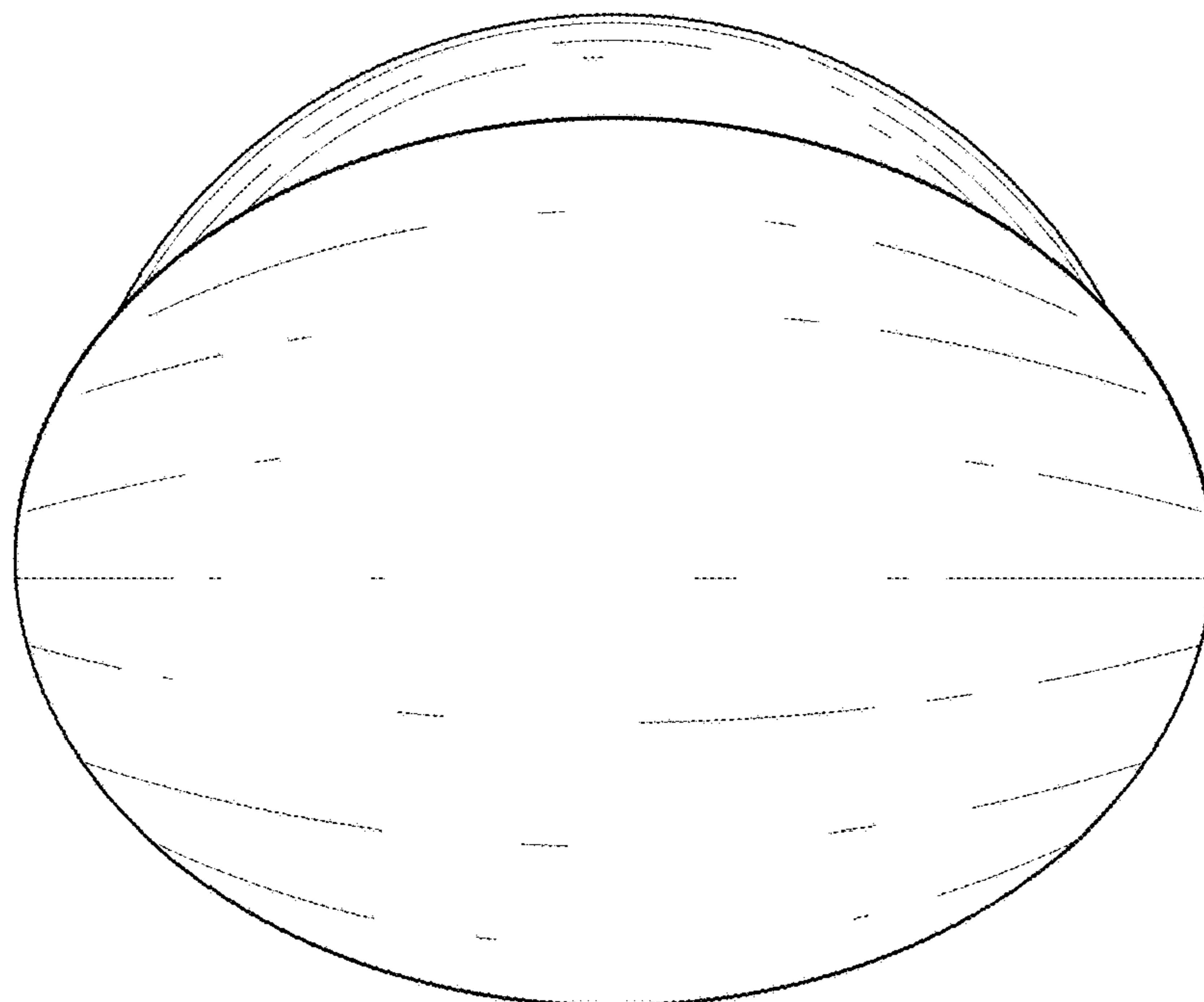


FIG. 5

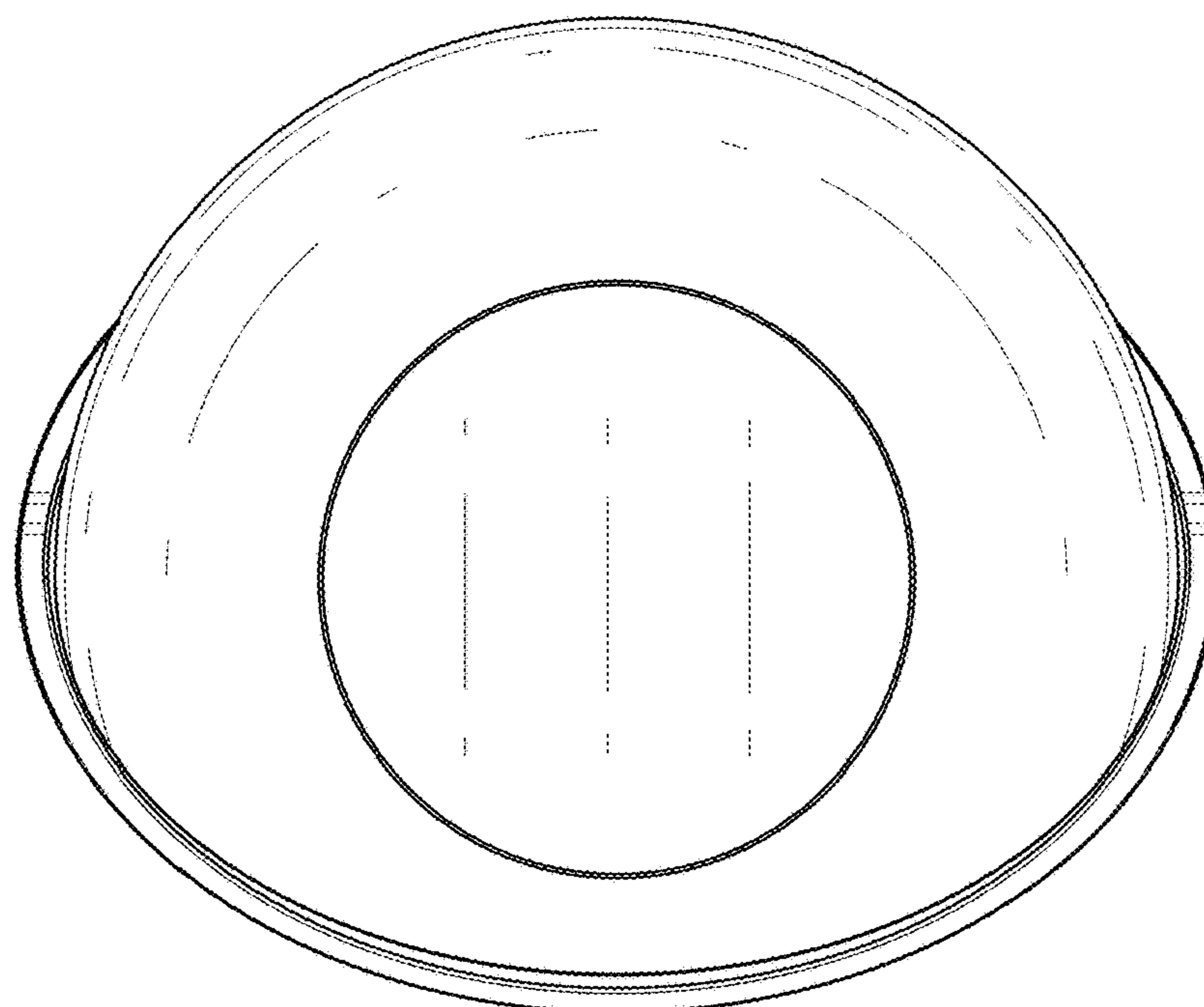


FIG. 6

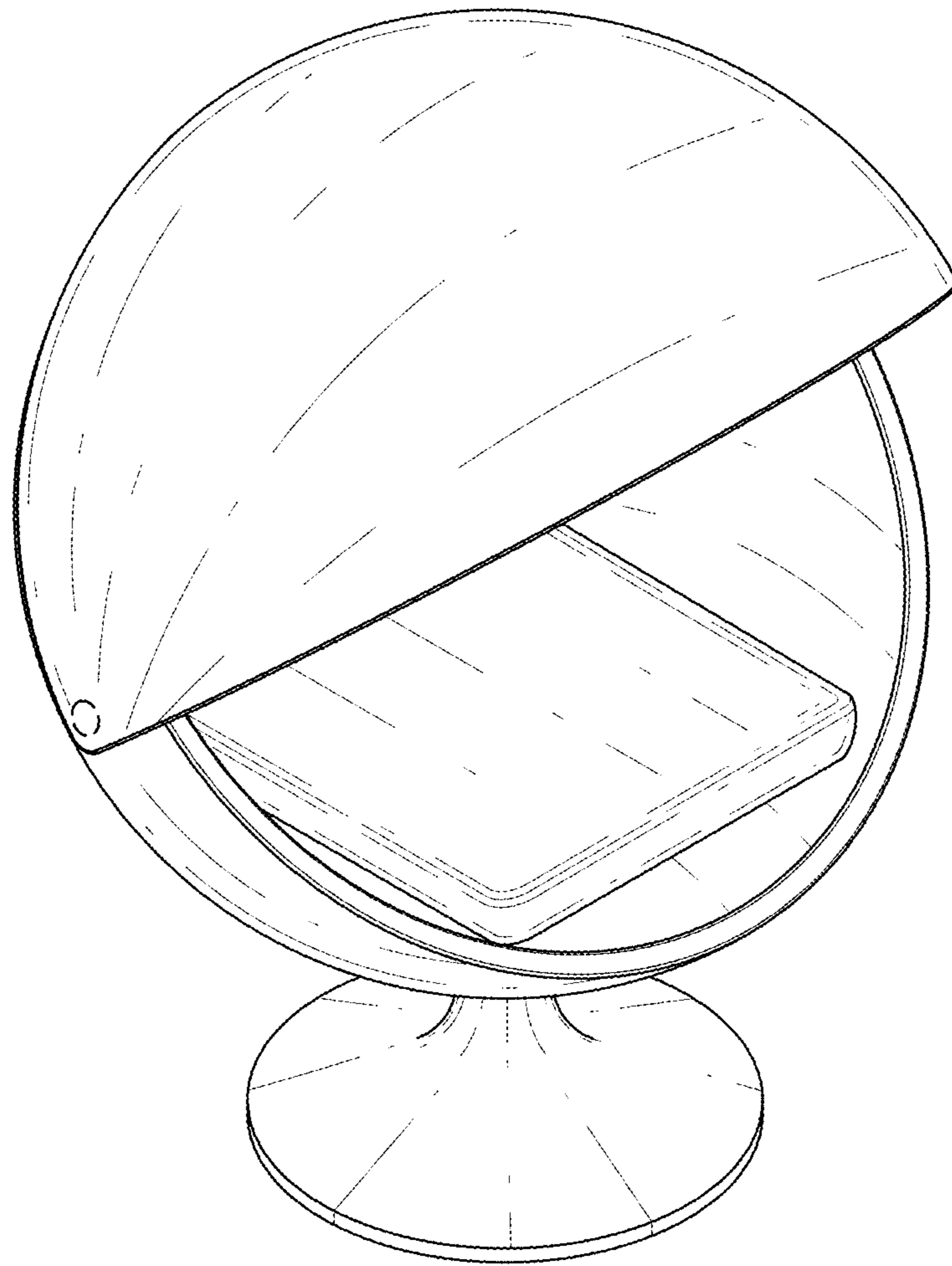


FIG. 7

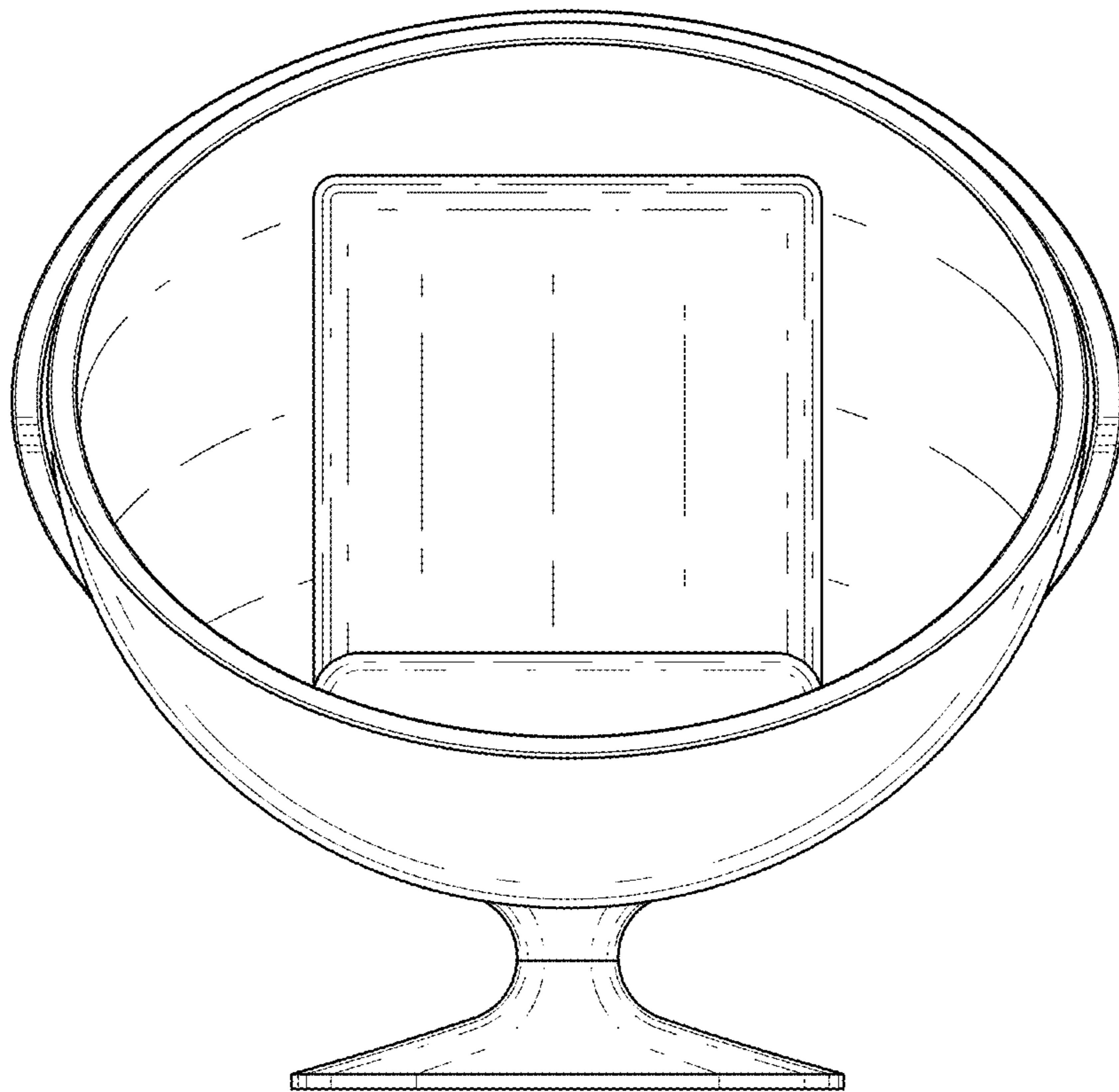


FIG. 8

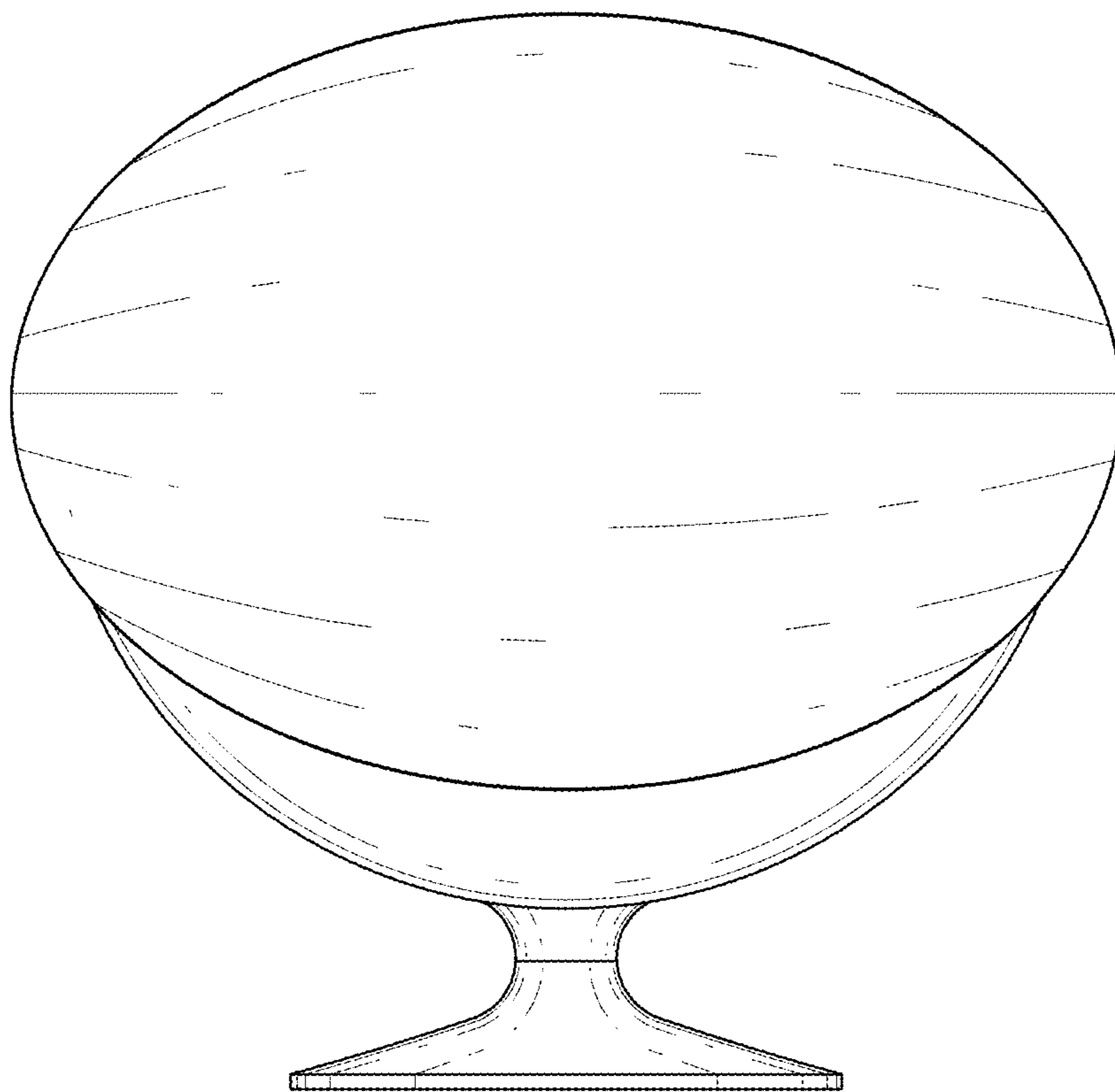


FIG. 9

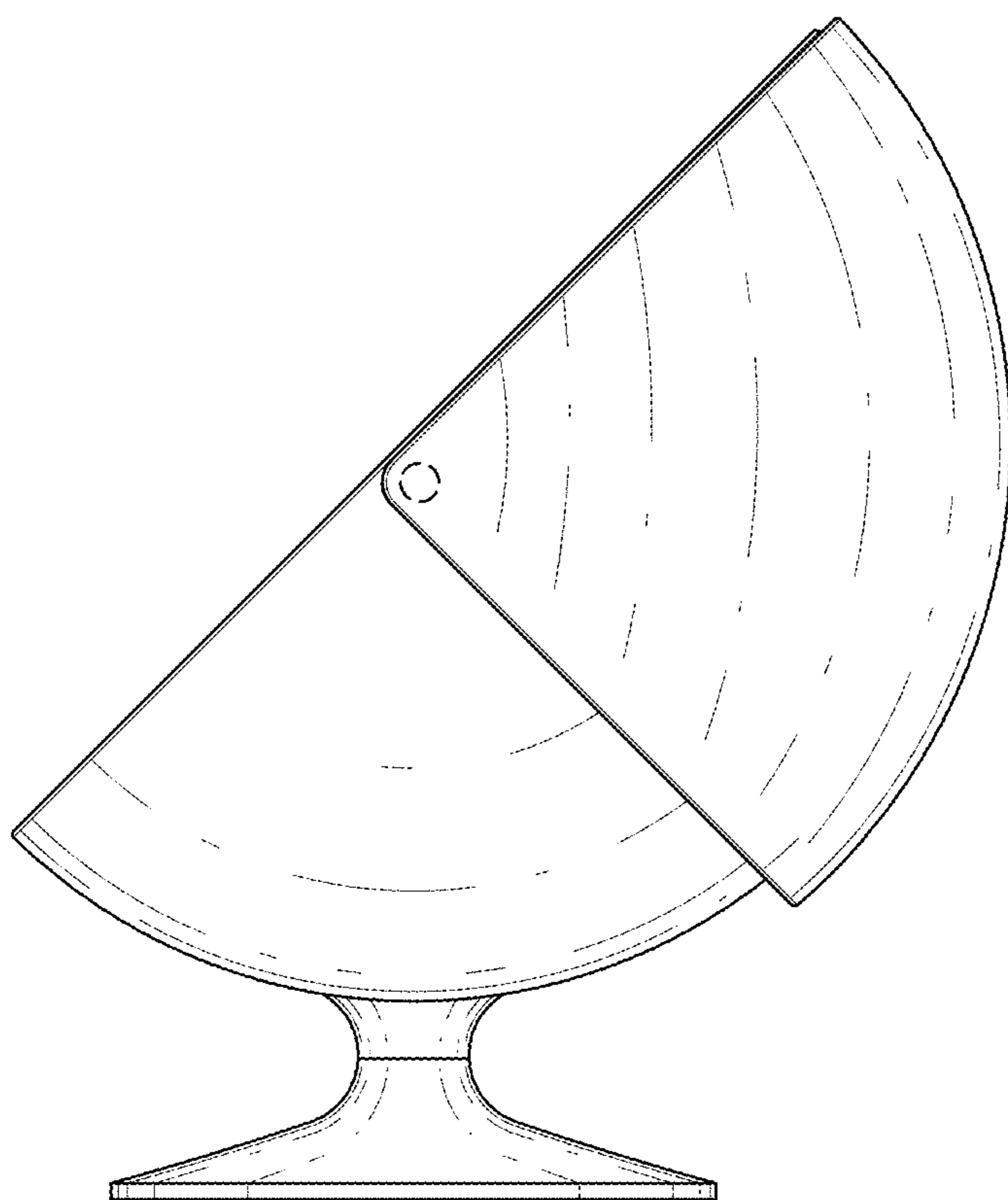


FIG. 10

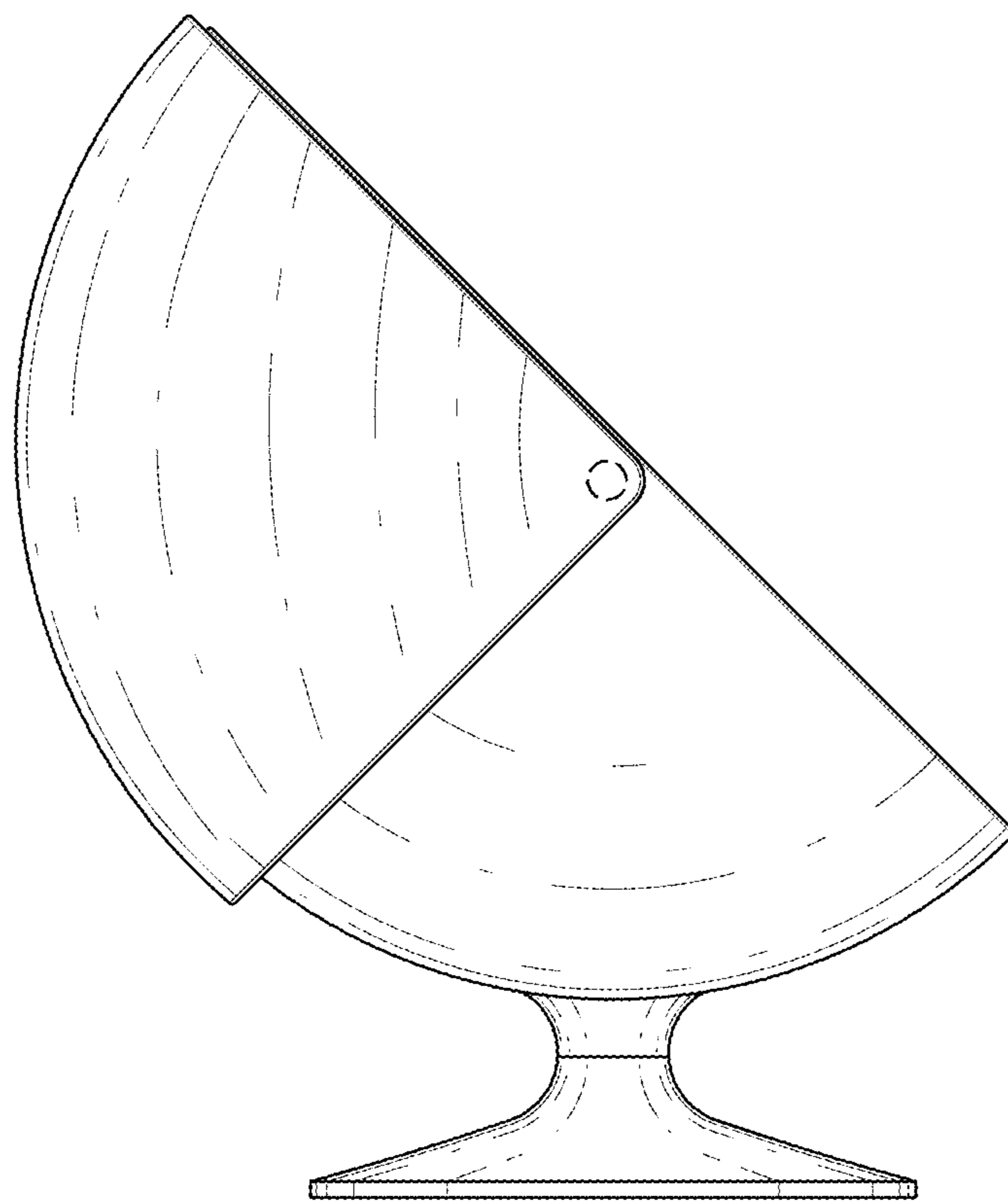


FIG. 11

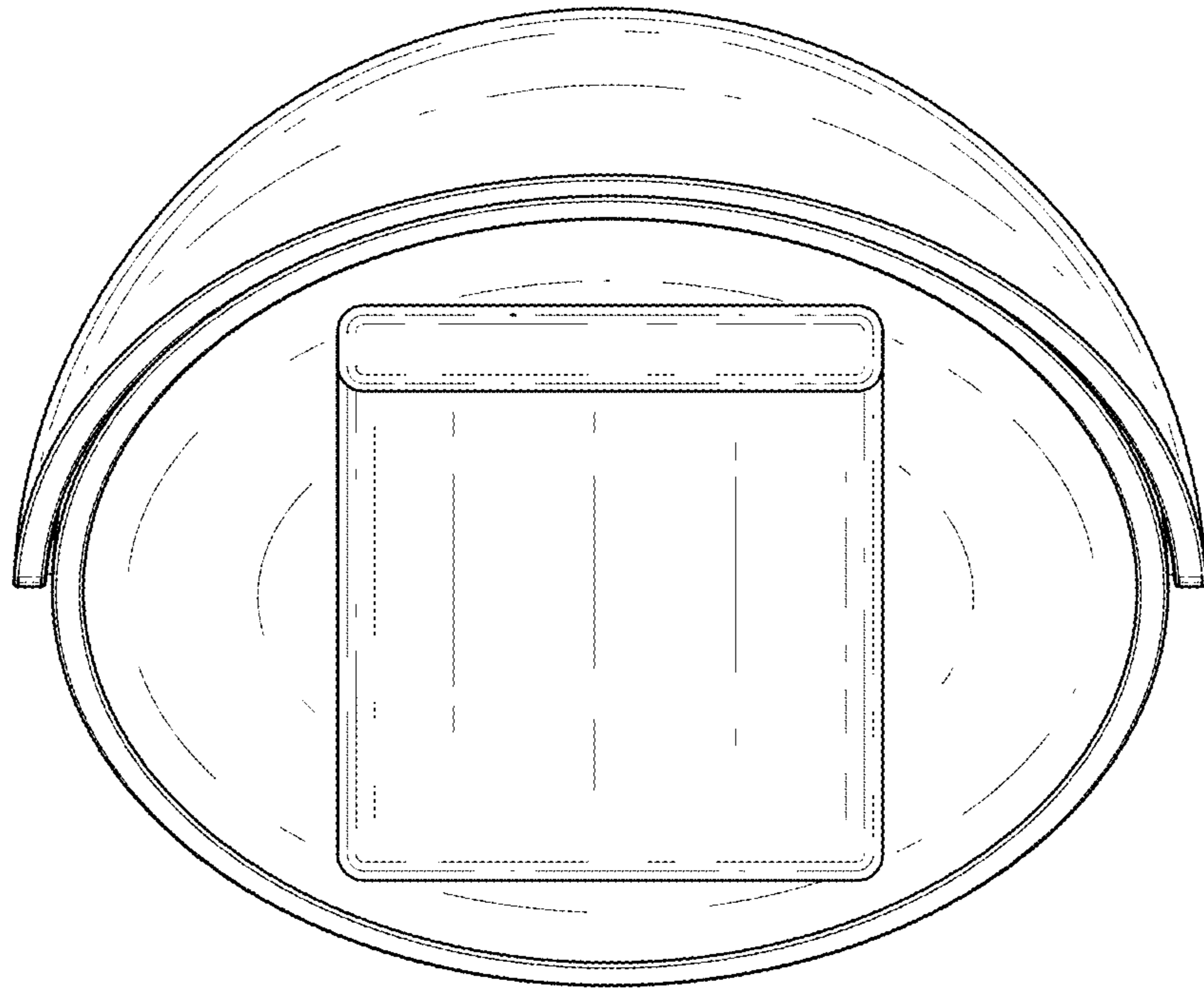


FIG. 12

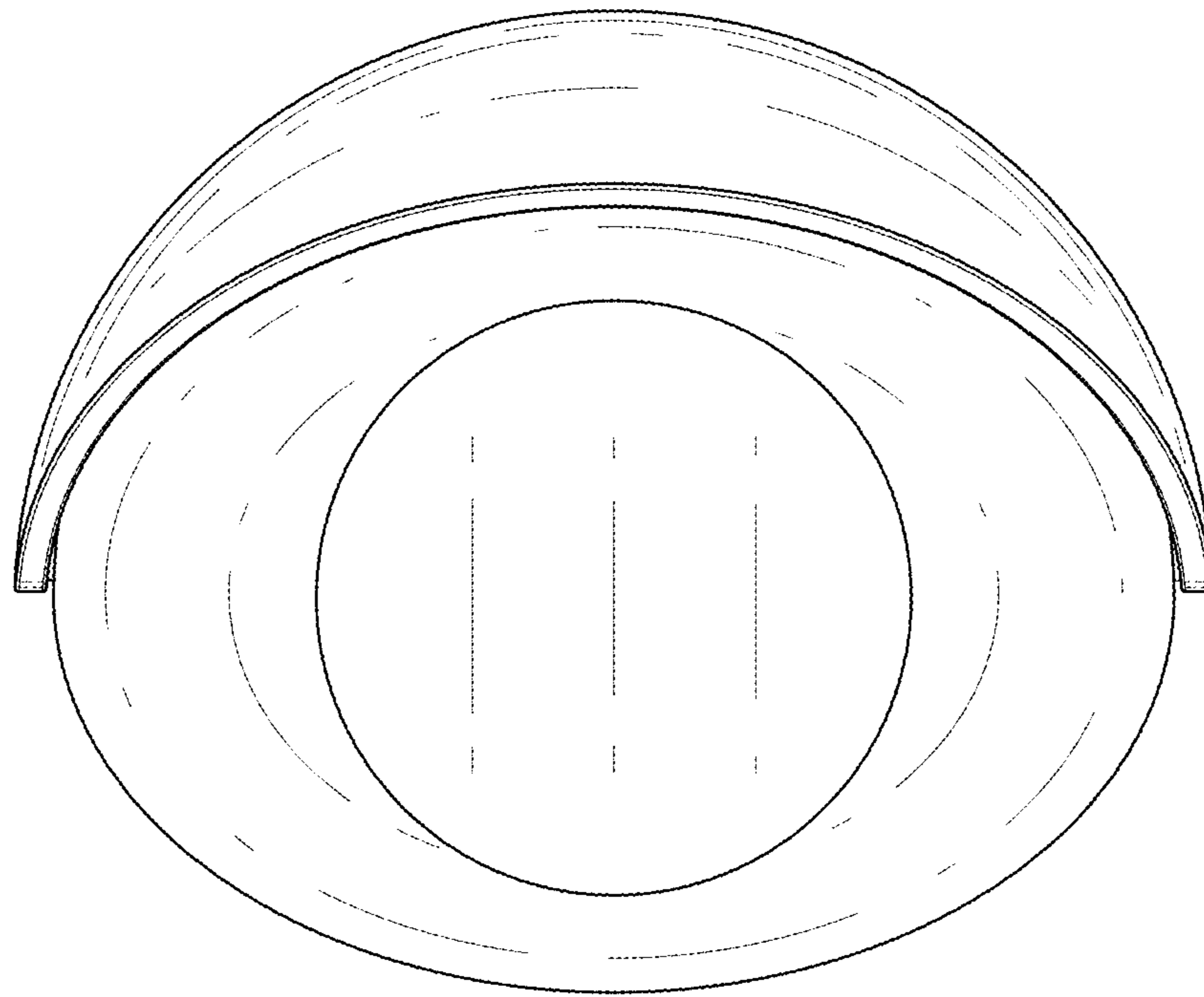


FIG. 13

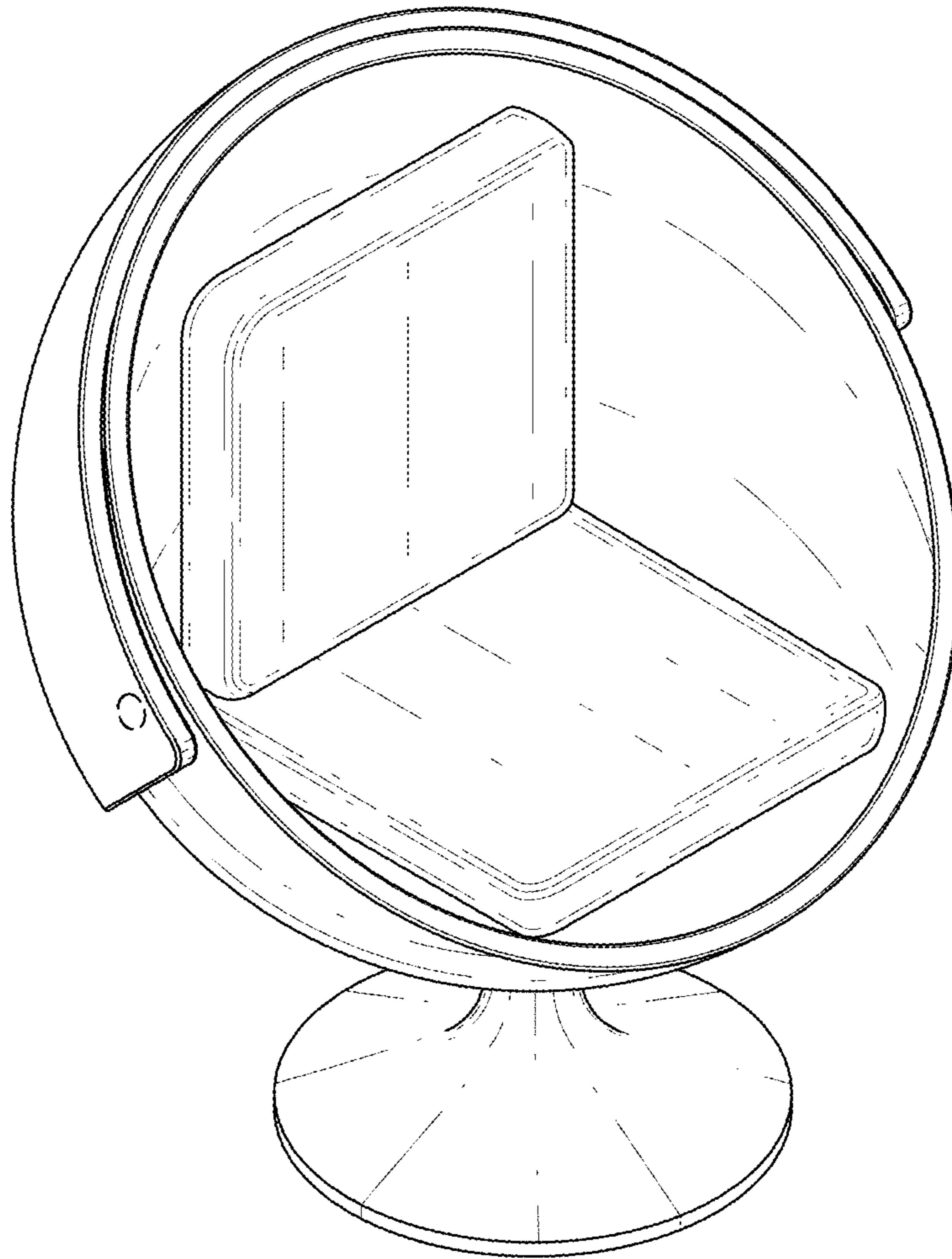


FIG. 14