



US00D861364S

(12) **United States Design Patent** (10) **Patent No.:** **US D861,364 S**
Pinder (45) **Date of Patent:** **** Oct. 1, 2019**

(54) VEHICLE SEAT	7,959,233 B2 * 6/2011 Sweers B60N 2/015 297/452.18
(71) Applicant: Jaguar Land Rover Limited , Whitley Coventry (GB)	D723,824 S * 3/2015 Persson D6/356 D723,825 S * 3/2015 Persson D6/356 D771,398 S * 11/2016 Buffery D6/356 D771,399 S * 11/2016 Buffery D6/356 D774,319 S * 12/2016 Ingenlath D6/356
(72) Inventor: Elizabeth Pinder , Whitley Coventry (GB)	9,616,779 B2 * 4/2017 Barzen B60N 2/2222 9,758,075 B2 * 9/2017 Andersson B60N 3/102 D799,224 S * 10/2017 Callum D6/356
(73) Assignee: Jaguar Land Rover Limited , Whitley, Coventry (GB)	10,093,210 B2 * 10/2018 Izawa B60N 2/68 10,131,258 B2 * 11/2018 Akai B60N 2/682 D837,550 S * 1/2019 Buffery D6/356 D839,014 S * 1/2019 Ray D6/356 D839,015 S * 1/2019 Bekas D6/356 D841,348 S * 2/2019 Hodder D6/356
(**) Term: 15 Years	
(21) Appl. No.: 29/679,645	

(Continued)

(22) Filed: **Feb. 8, 2019**

Related U.S. Application Data

(62) Division of application No. 29/622,929, filed on Oct. 20, 2017, now Pat. No. Des. 841,349.

(30) **Foreign Application Priority Data**

Apr. 21, 2017 (EM) 003866755

(51) **LOC (12) Cl.** **06-01**

(52) **U.S. Cl.**
USPC **D6/356**

(58) **Field of Classification Search**

USPC D6/356, 360, 364, 365; D21/521, 533,
D21/548

CPC A61H 2201/0149; B60N 2/06; B60N 2/20;
B60N 2/22; B60N 2/58; B60N 2/68;
B60N 2/80; B60N 2/643; B60N 2/888;
B60N 2/859; B60N 2/1615; B60N
2/7035; B60N 2/42745; B60N 2002/0272;
B60N 2205/35

See application file for complete search history.

(56) **References Cited**

U.S. PATENT DOCUMENTS

D396,152 S * 7/1998 Beermann D6/356
D453,078 S * 1/2002 Yamazaki D6/356

Primary Examiner — Kevin K Rudzinski

Assistant Examiner — Paul D Bohannon

(74) *Attorney, Agent, or Firm* — Wood Herron & Evans
LLP

(57) **CLAIM**

The ornamental design for a vehicle seat, as shown and described.

DESCRIPTION

FIG. 1 is a front right perspective view of a vehicle seat according to the present invention.

FIG. 2 is a front left perspective view of the seat shown in FIG. 1.

FIG. 3 is a rear left perspective view thereof.

FIG. 4 is a rear right perspective view thereof.

FIG. 5 is a front view thereof.

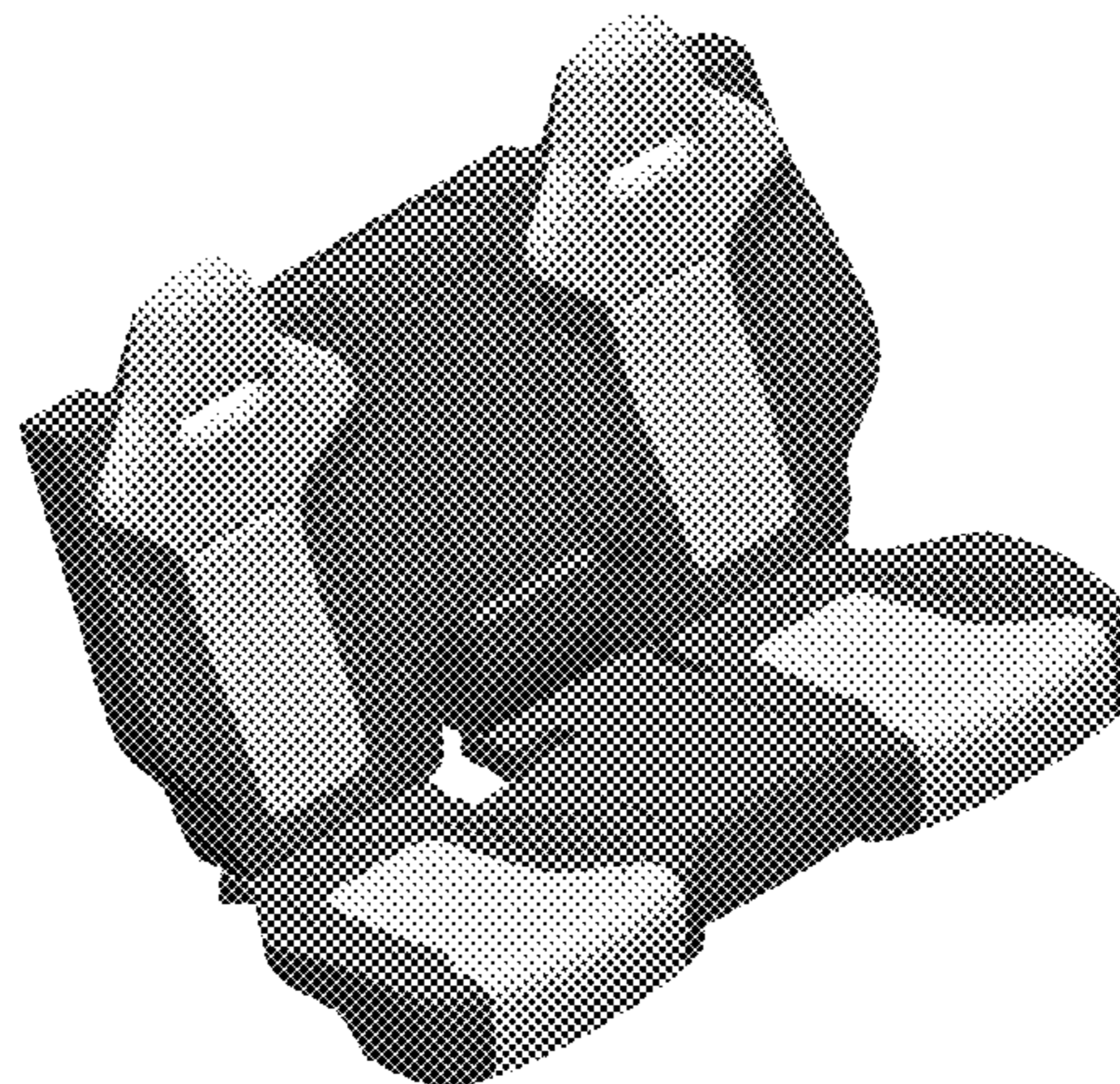
FIG. 6 is a rear view thereof.

FIG. 7 is a left side view thereof.

FIG. 8 is a right side view thereof; and,

FIG. 9 is a top view thereof.

1 Claim, 9 Drawing Sheets



(56)

References Cited

U.S. PATENT DOCUMENTS

D841,349 S * 2/2019 Pinder D6/356
10,202,056 B2 * 2/2019 Zimmerman, II ... B60N 2/2209

* cited by examiner

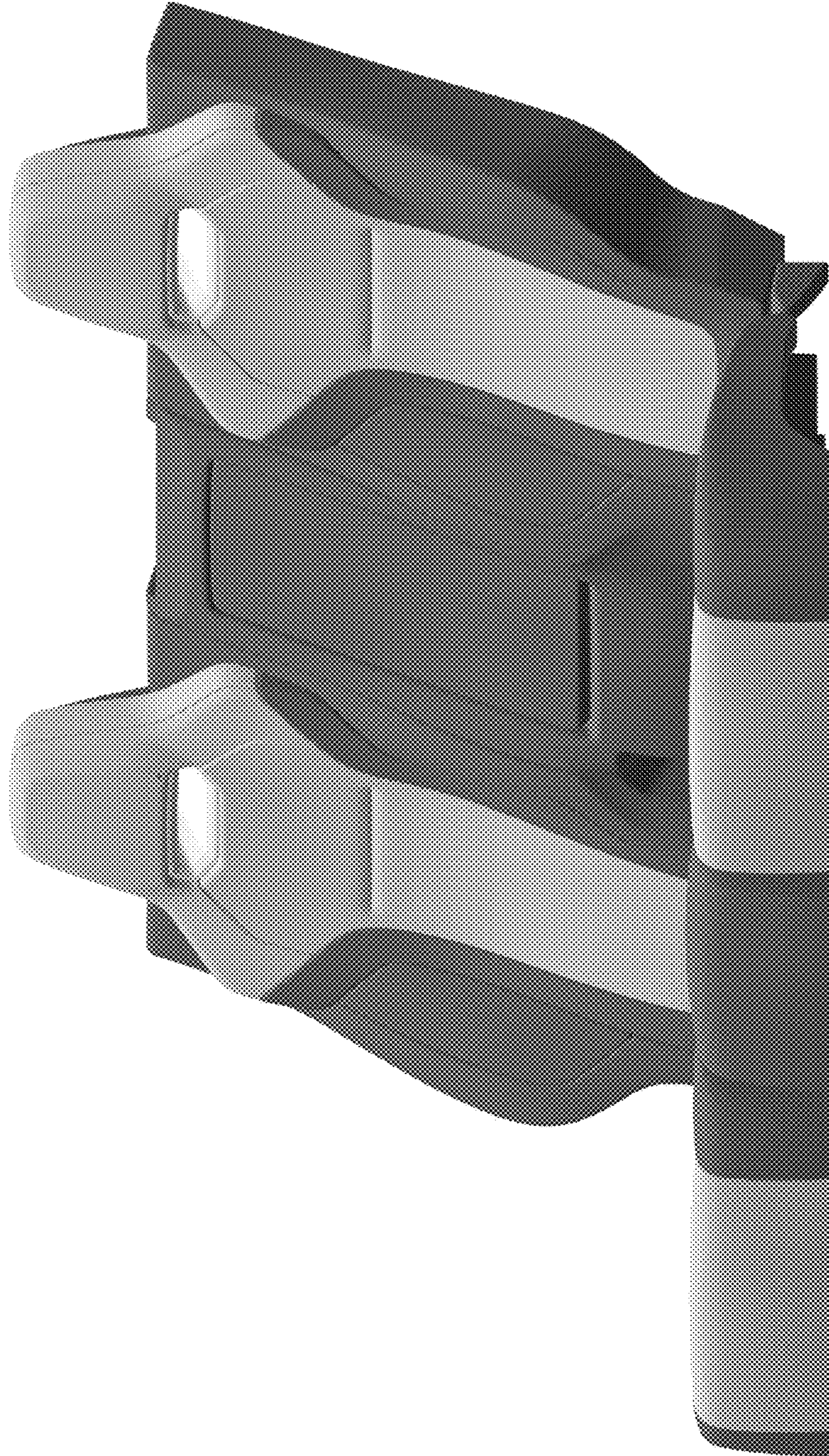


FIG. 1

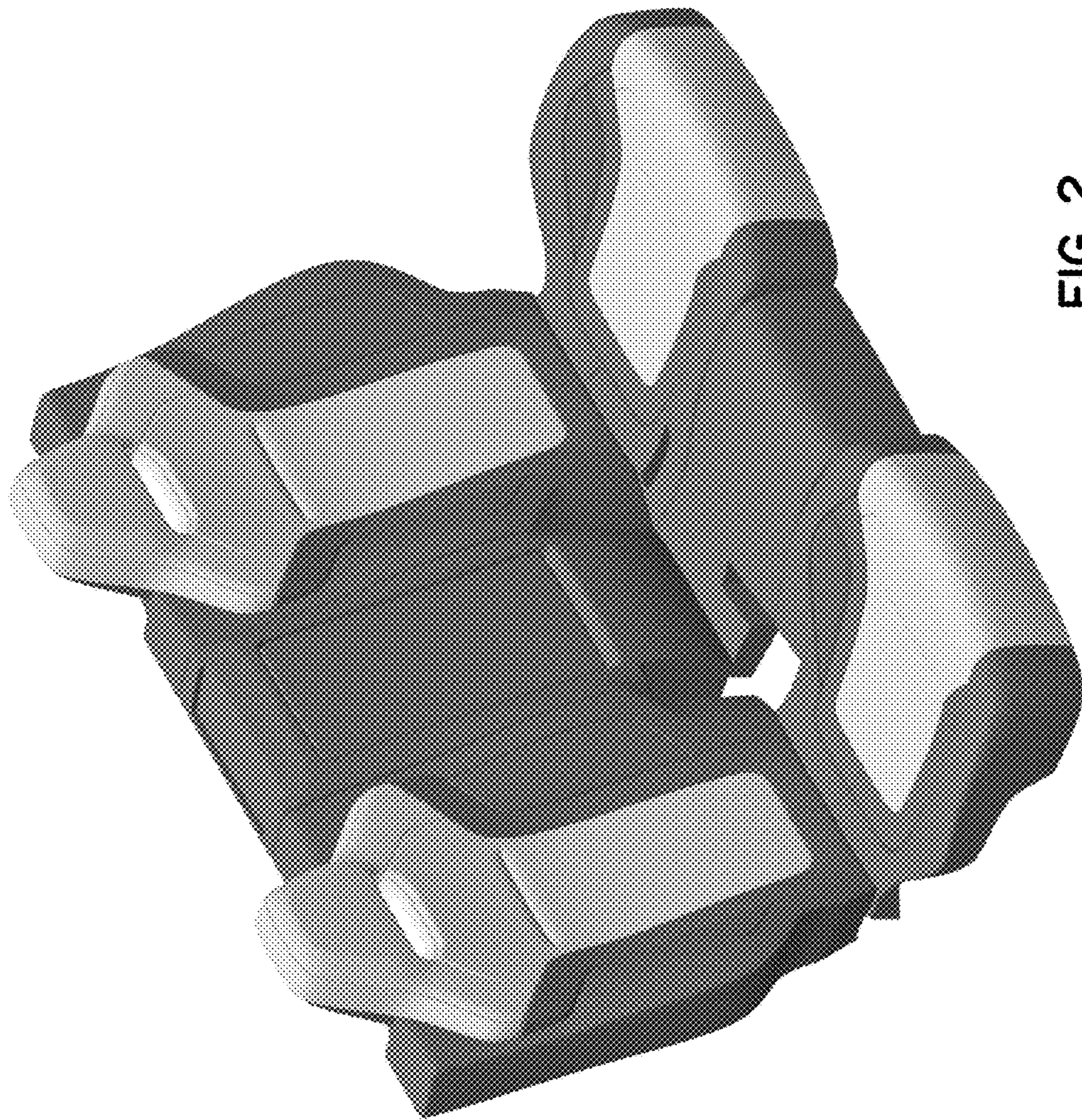


FIG. 2

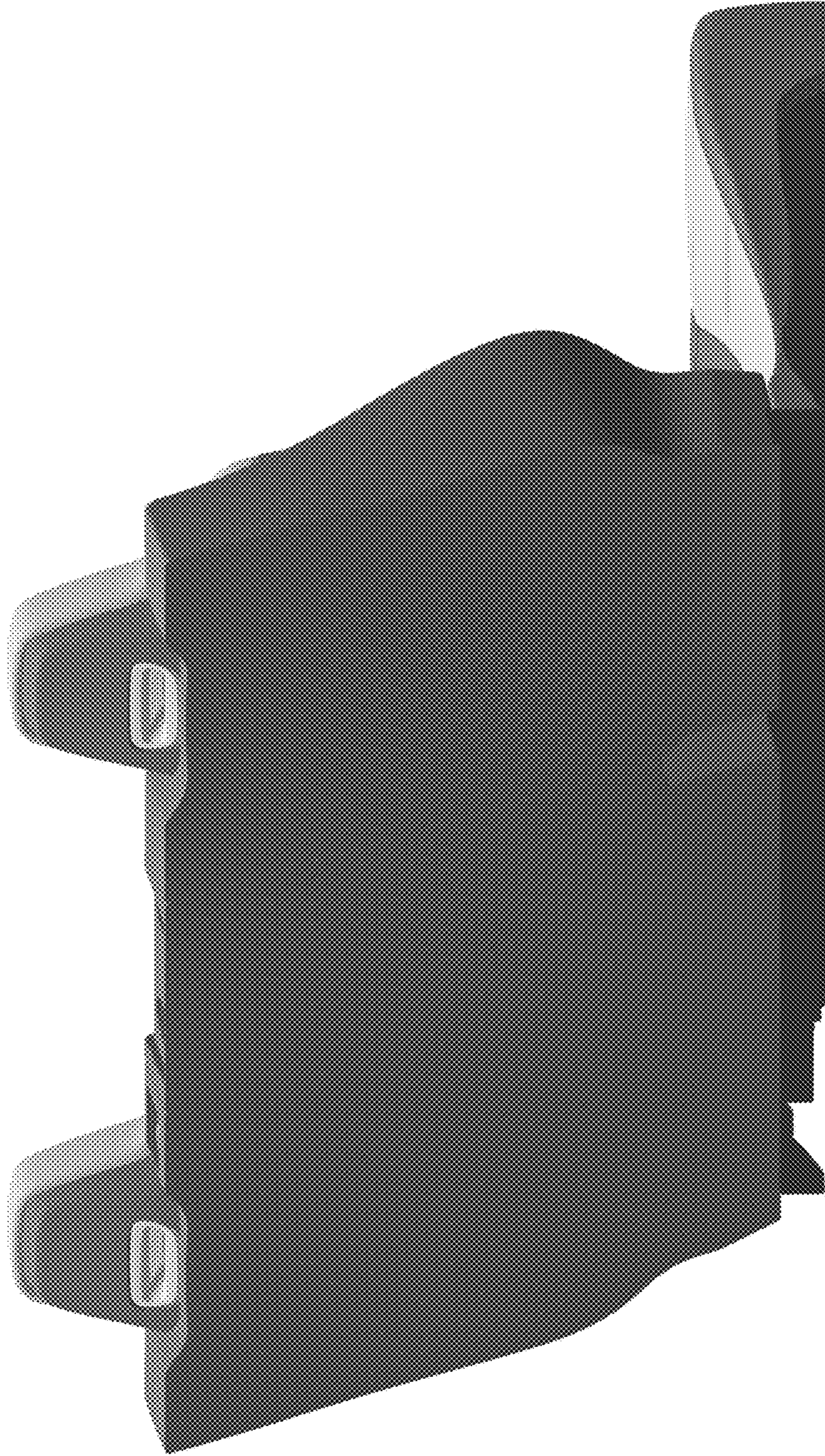


FIG. 3

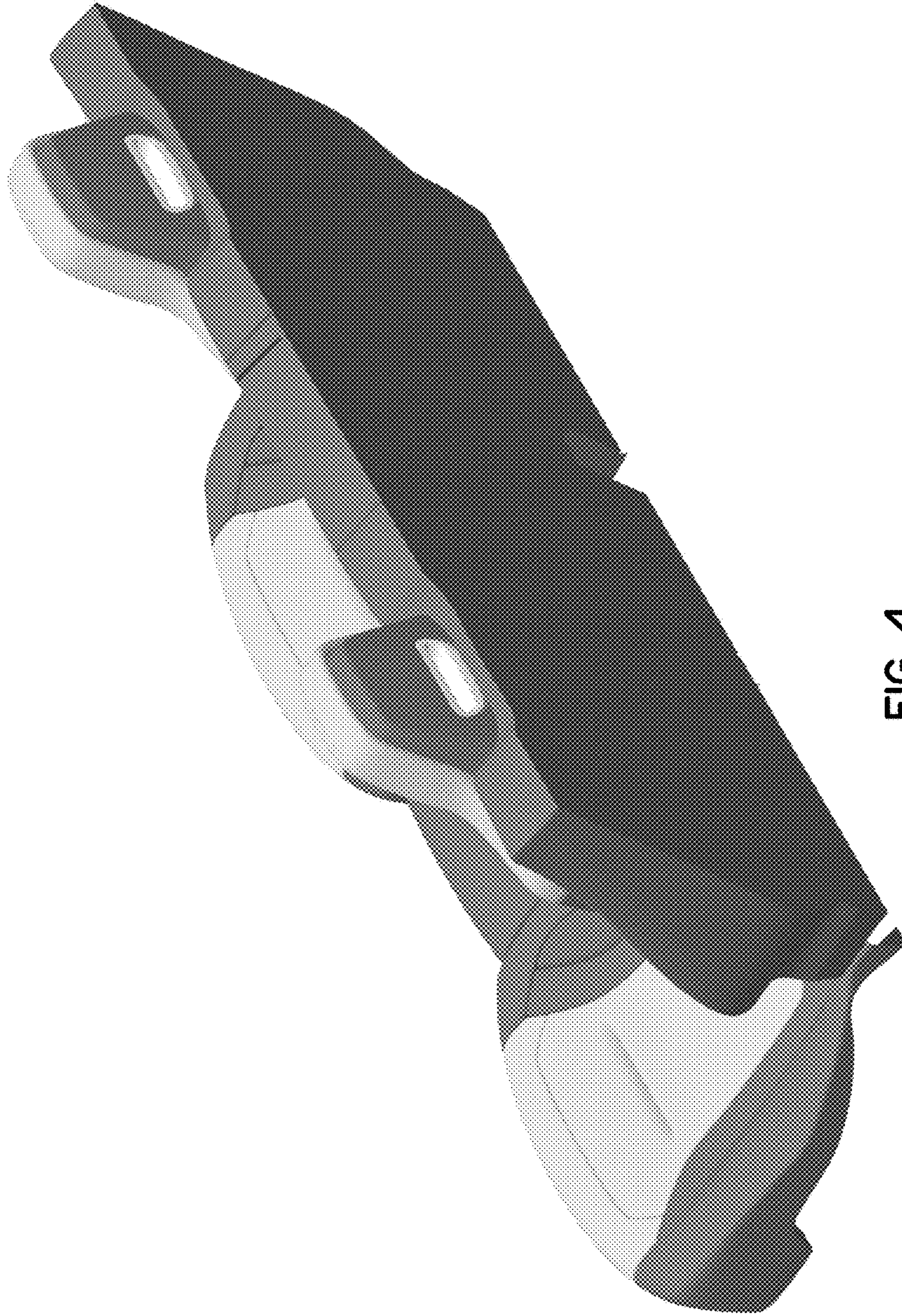


FIG. 4

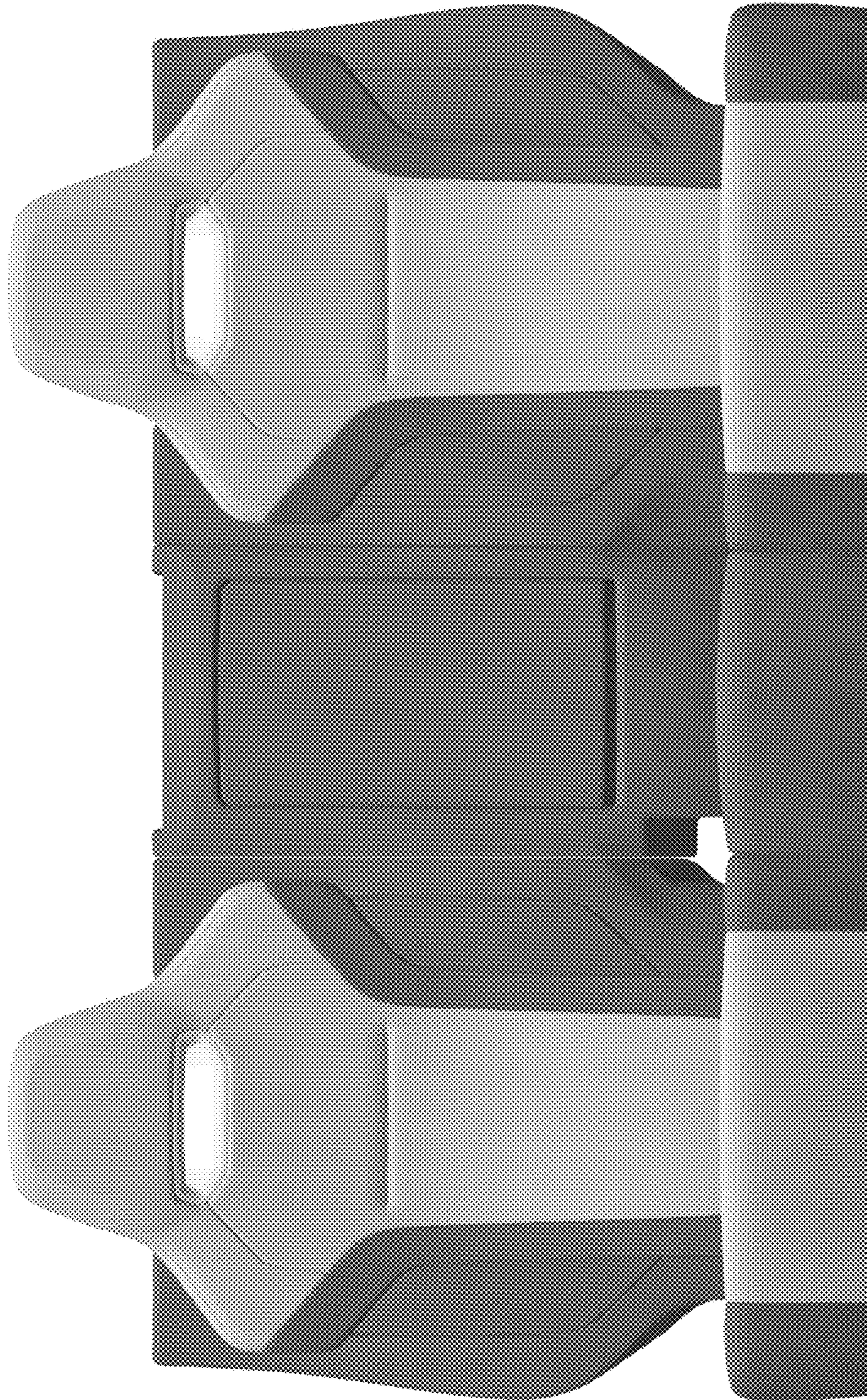


FIG. 5

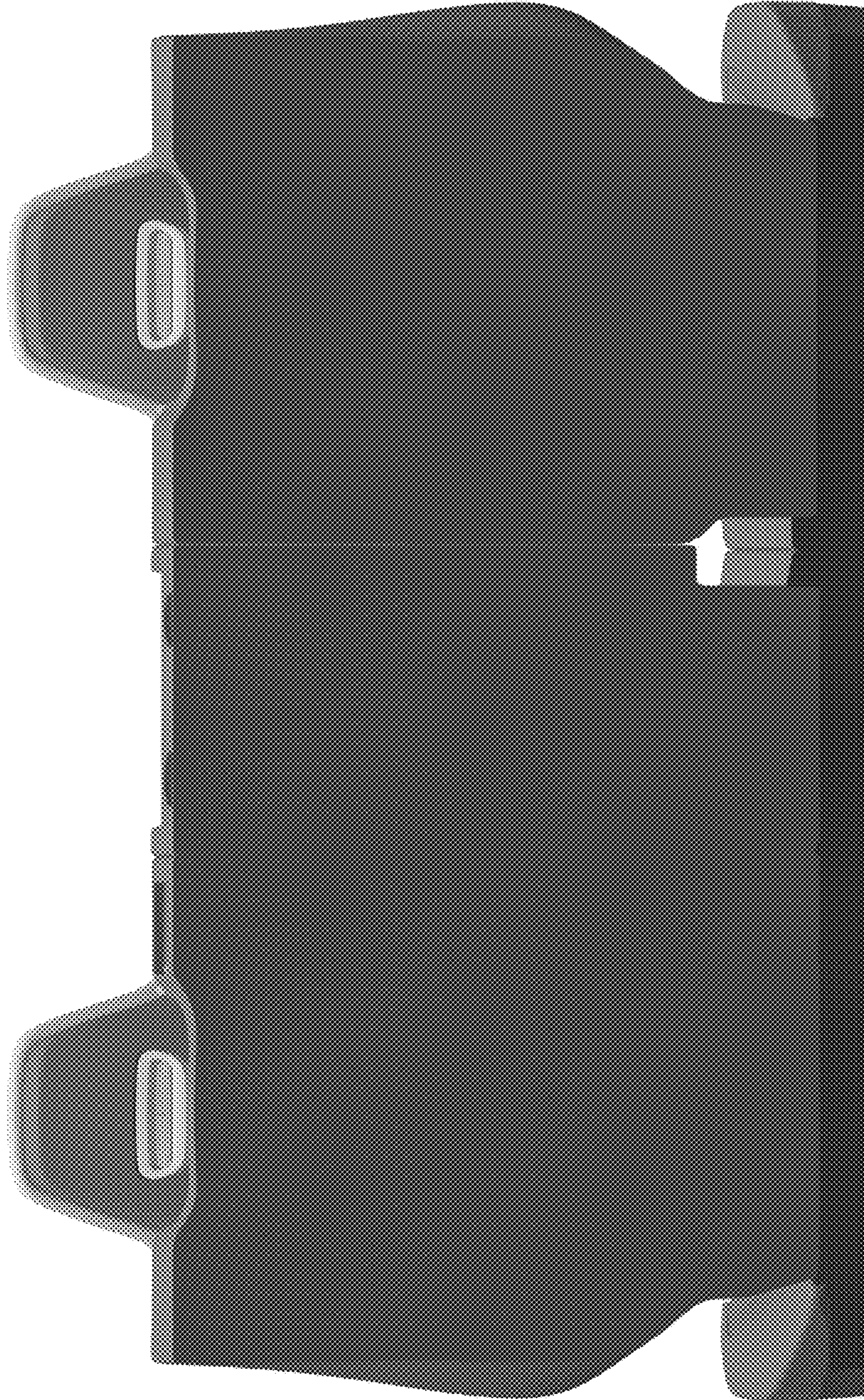


FIG. 6

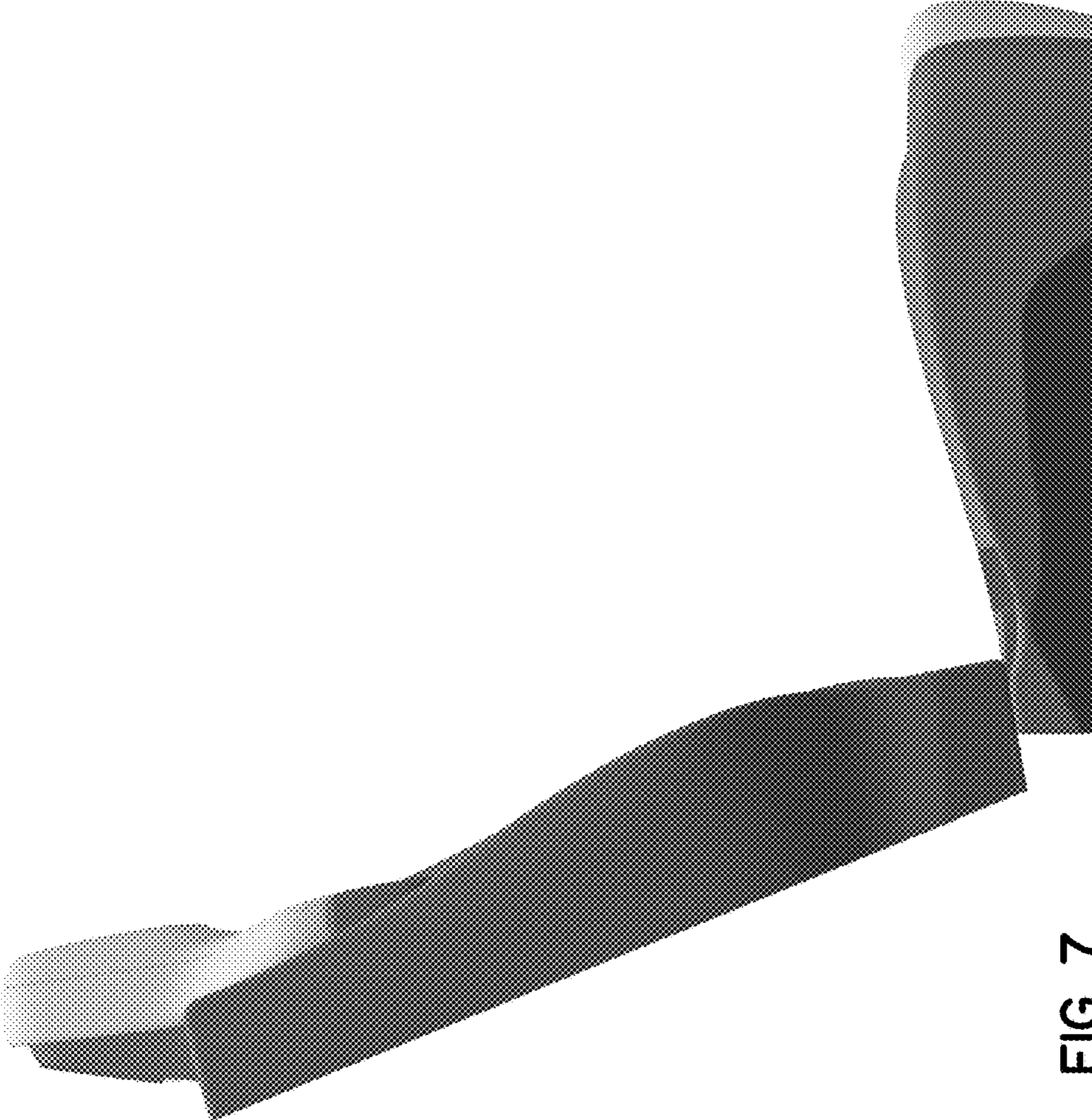


FIG. 7

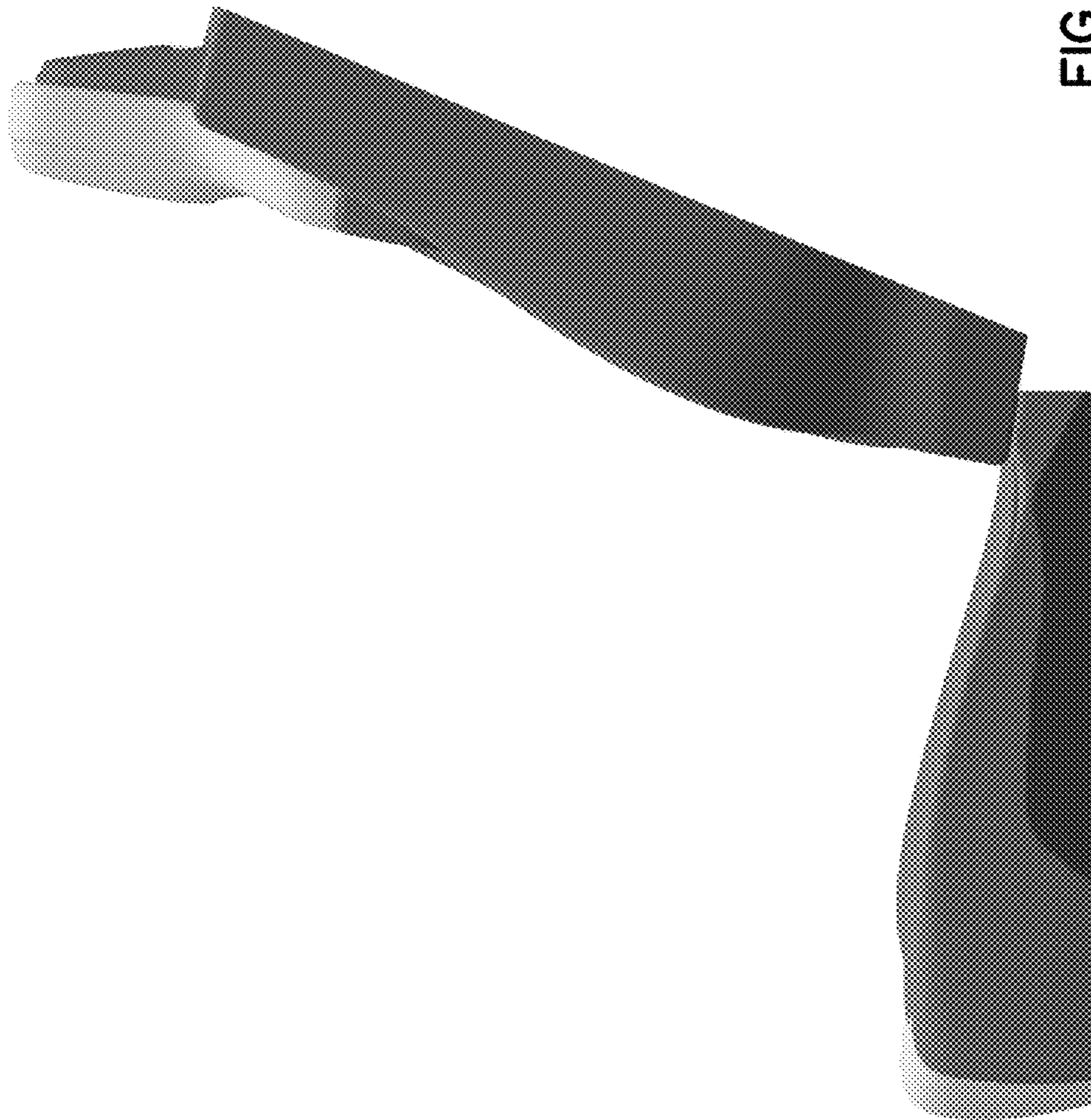


FIG. 8

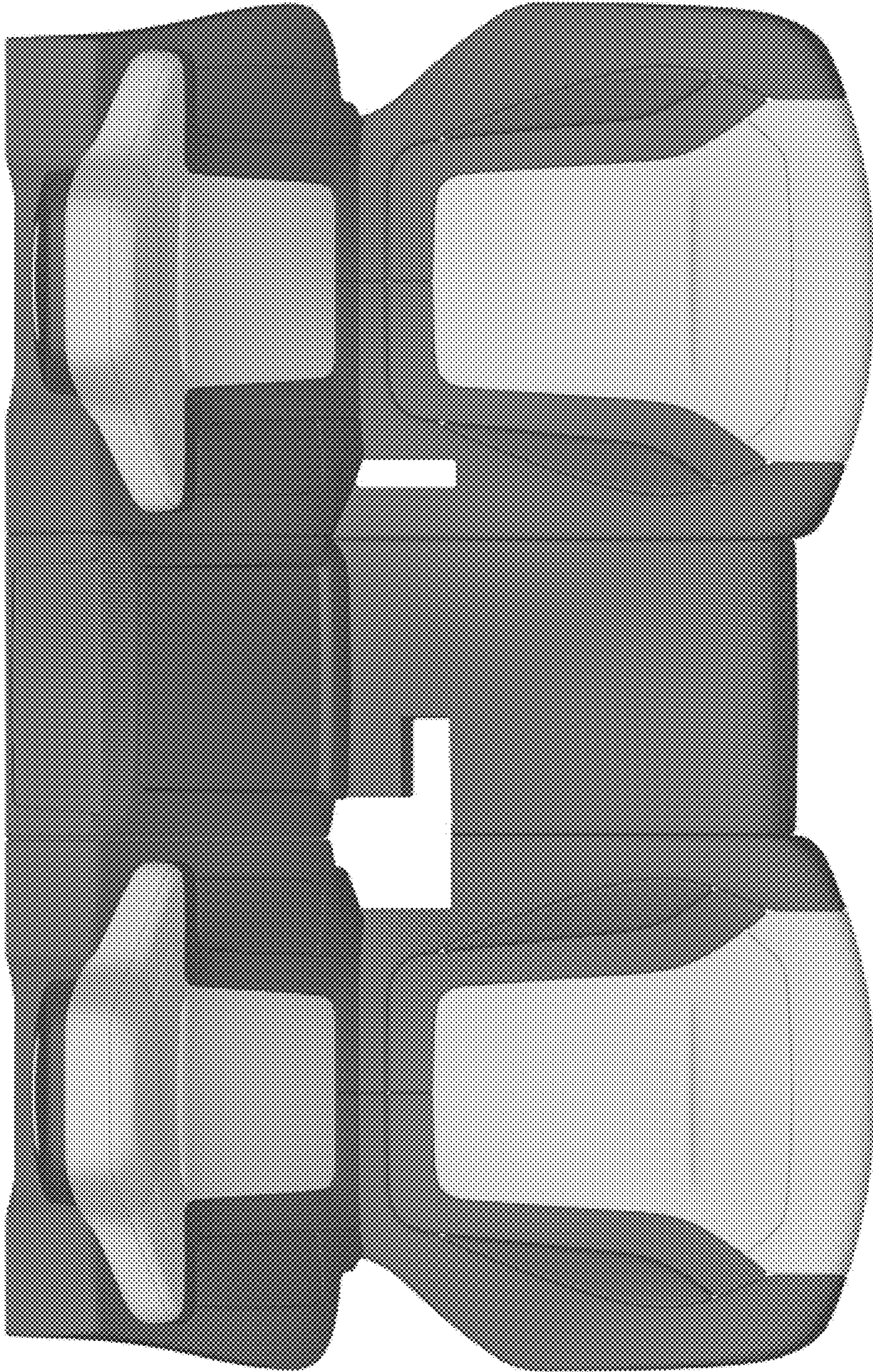


FIG. 9