



US00D861362S

(12) **United States Design Patent**
Smith

(10) **Patent No.:** **US D861,362 S**

(45) **Date of Patent:** **** Oct. 1, 2019**

(54) **BENCH SEAT FOR A VEHICLE**

(71) Applicant: **Jaguar Land Rover Limited**, Whitley,
Coventry (GB)

(72) Inventor: **Luke Smith**, Coventry (GB)

(73) Assignee: **Jaguar Land Rover Limited**, Whitley,
Coventry (GB)

(**) Term: **15 Years**

(21) Appl. No.: **29/647,689**

(22) Filed: **May 15, 2018**

(30) **Foreign Application Priority Data**

Nov. 16, 2017 (EM) 004509818

(51) **LOC (12) Cl.** **06-01**

(52) **U.S. Cl.**
USPC **D6/356**

(58) **Field of Classification Search**
USPC D6/356, 360, 364, 365; D21/521, 533,
D21/548

CPC A61H 2201/0149; B60N 2/06; B60N 2/20;
B60N 2/22; B60N 2/58; B60N 2/68;
B60N 2/80; B60N 2/643; B60N 2/888;
B60N 2/859; B60N 2/1615; B60N
2/7035; B60N 2/42745; B60N 2002/0272;
B60N 2205/35

See application file for complete search history.

(56) **References Cited**

U.S. PATENT DOCUMENTS

7,959,233 B2 * 6/2011 Sweers B60N 2/015
297/452.18

D723,824 S * 3/2015 Persson D6/356

D774,319 S * 12/2016 Ingenlath D6/356
9,616,779 B2 * 4/2017 Barzen B60N 2/222
9,758,075 B2 * 9/2017 Andersson B60N 3/102
D799,224 S * 10/2017 Callum D6/356
10,093,210 B2 * 10/2018 Izawa B60N 2/68
10,131,258 B2 * 11/2018 Akai B60N 2/682
D837,550 S * 1/2019 Buffery D6/356
D839,014 S * 1/2019 Ray D6/356
D839,015 S * 1/2019 Bekas D6/356
D841,348 S * 2/2019 Hodder D6/356
10,202,056 B2 * 2/2019 Zimmerman, II ... B60N 2/2209
D846,903 S * 4/2019 Tomasson D6/356
D846,904 S * 4/2019 Tomasson D6/356

* cited by examiner

Primary Examiner — Kevin K Rudzinski

Assistant Examiner — Paul D Bohannon

(74) *Attorney, Agent, or Firm* — Wood Herron & Evans
LLP

(57) **CLAIM**

The ornamental design for a bench seat for a vehicle, as shown and described.

DESCRIPTION

FIG. 1 is a front right elevated perspective view of a bench seat for a vehicle according to the present invention.

FIG. 2 is a front left perspective view of the bench seat shown in FIG. 1.

FIG. 3 is a rear left elevated perspective view thereof.

FIG. 4 is a rear right perspective view thereof.

FIG. 5 is a front view thereof.

FIG. 6 is a rear view thereof.

FIG. 7 is a left side view thereof.

FIG. 8 is a right side view thereof; and,

FIG. 9 is a top view thereof.

1 Claim, 9 Drawing Sheets



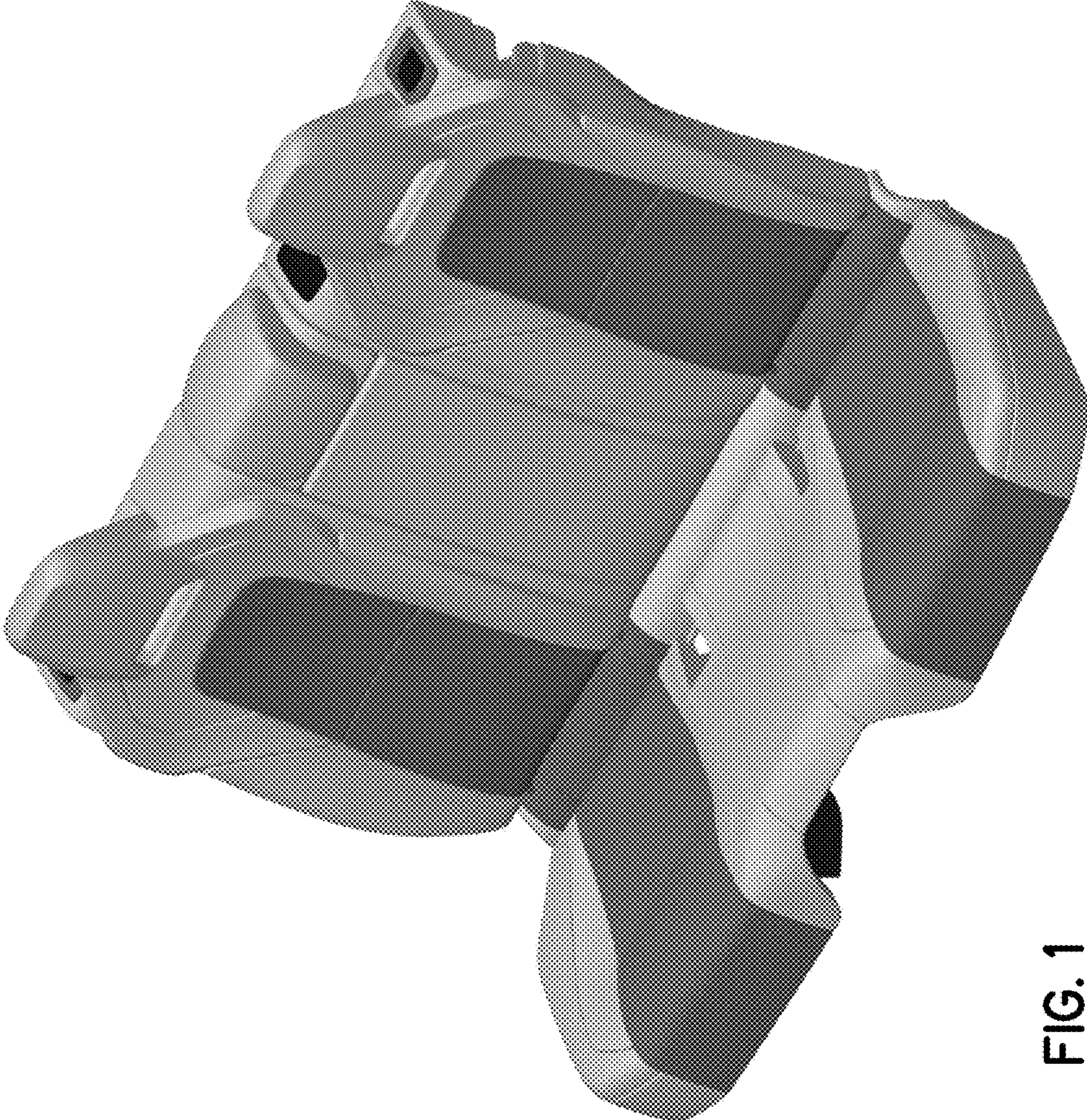


FIG. 1

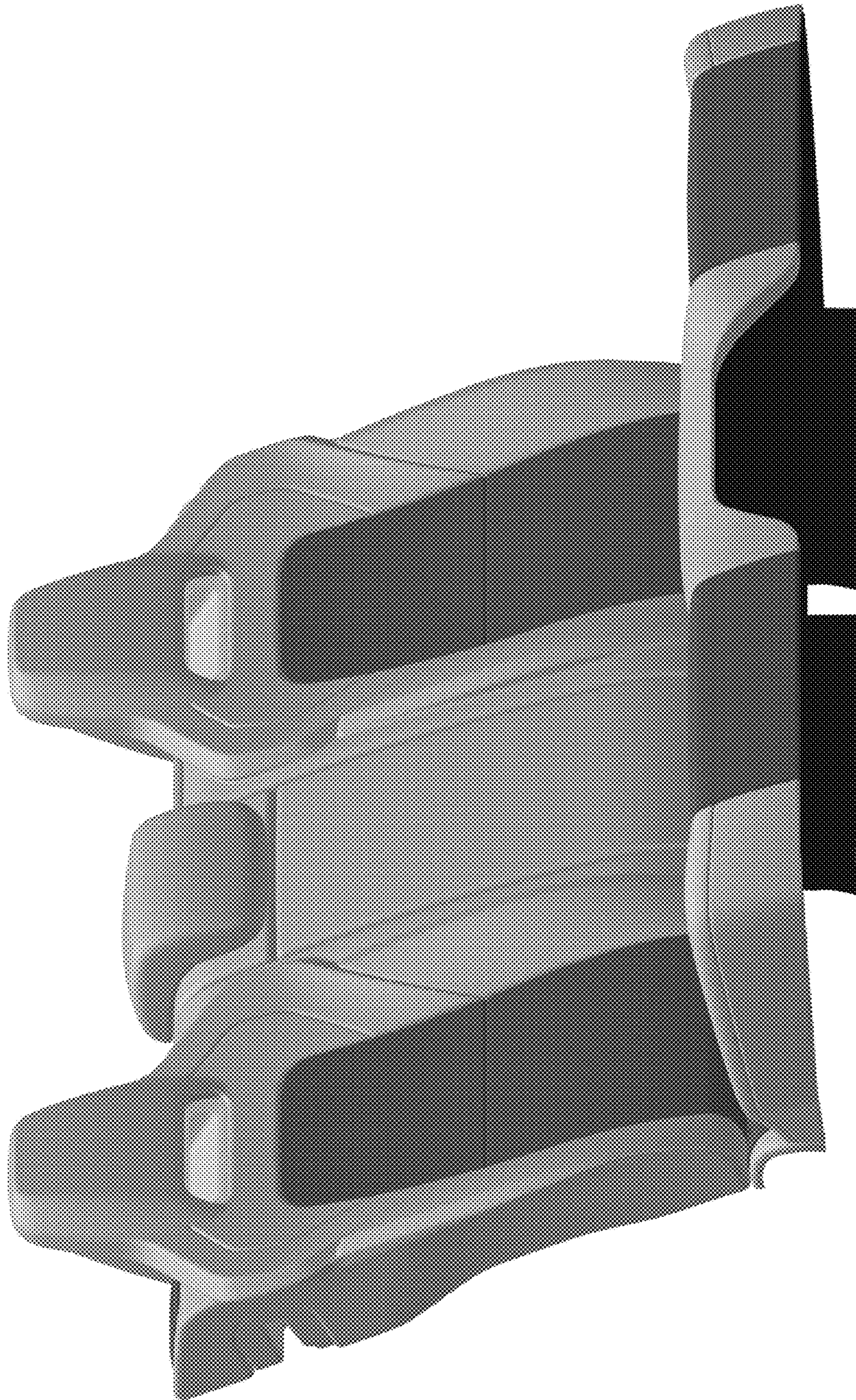


FIG. 2

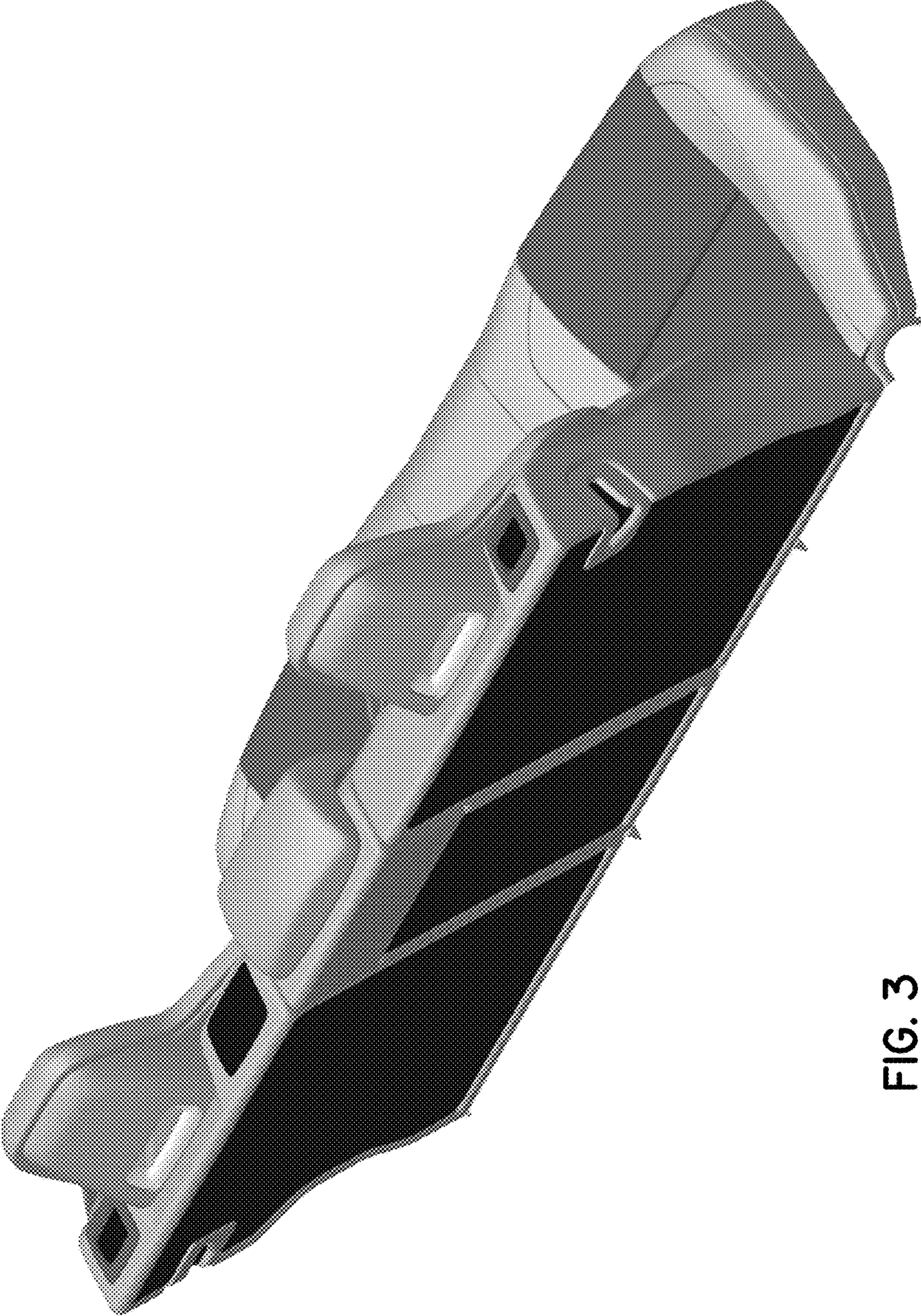


FIG. 3

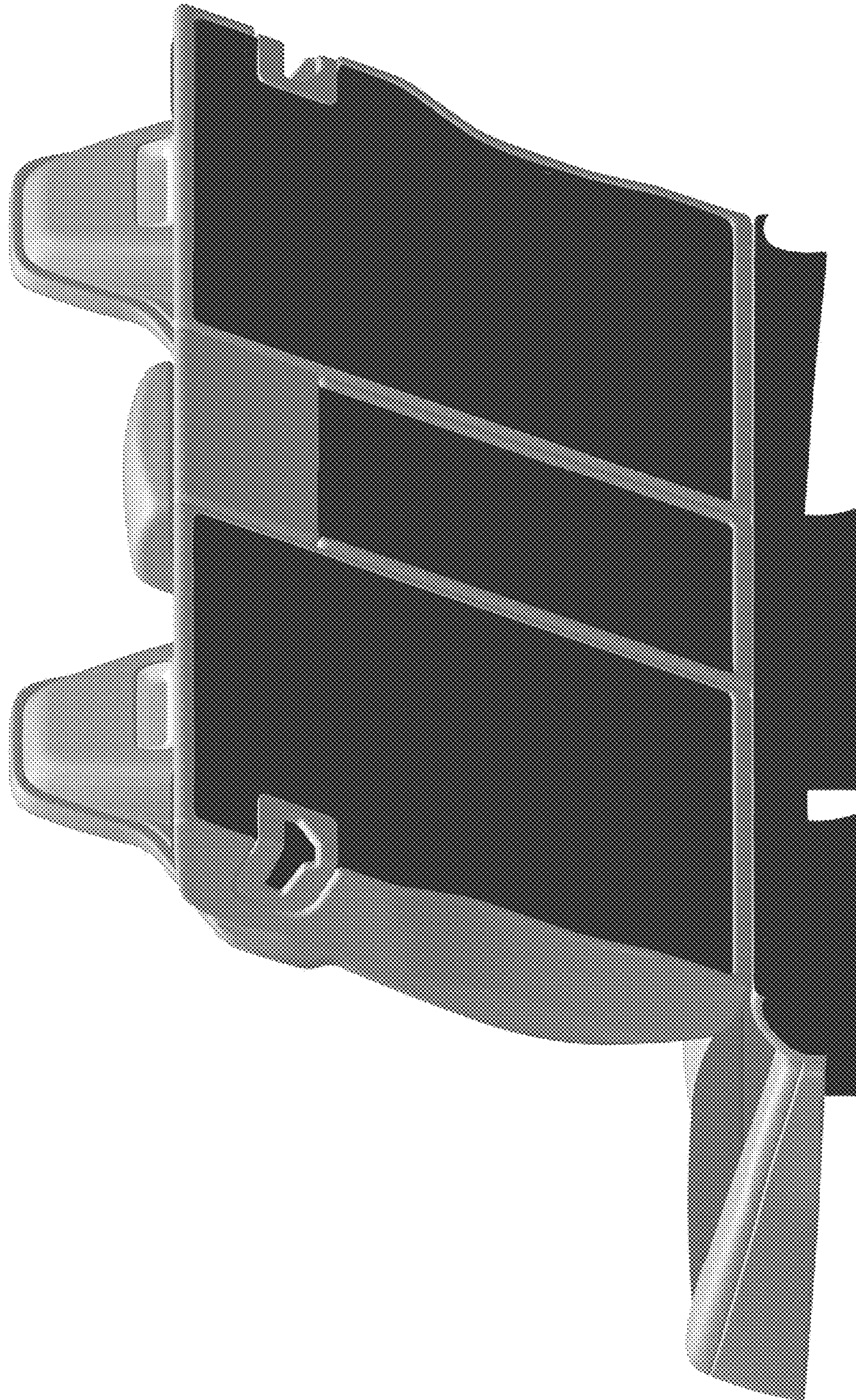


FIG. 4

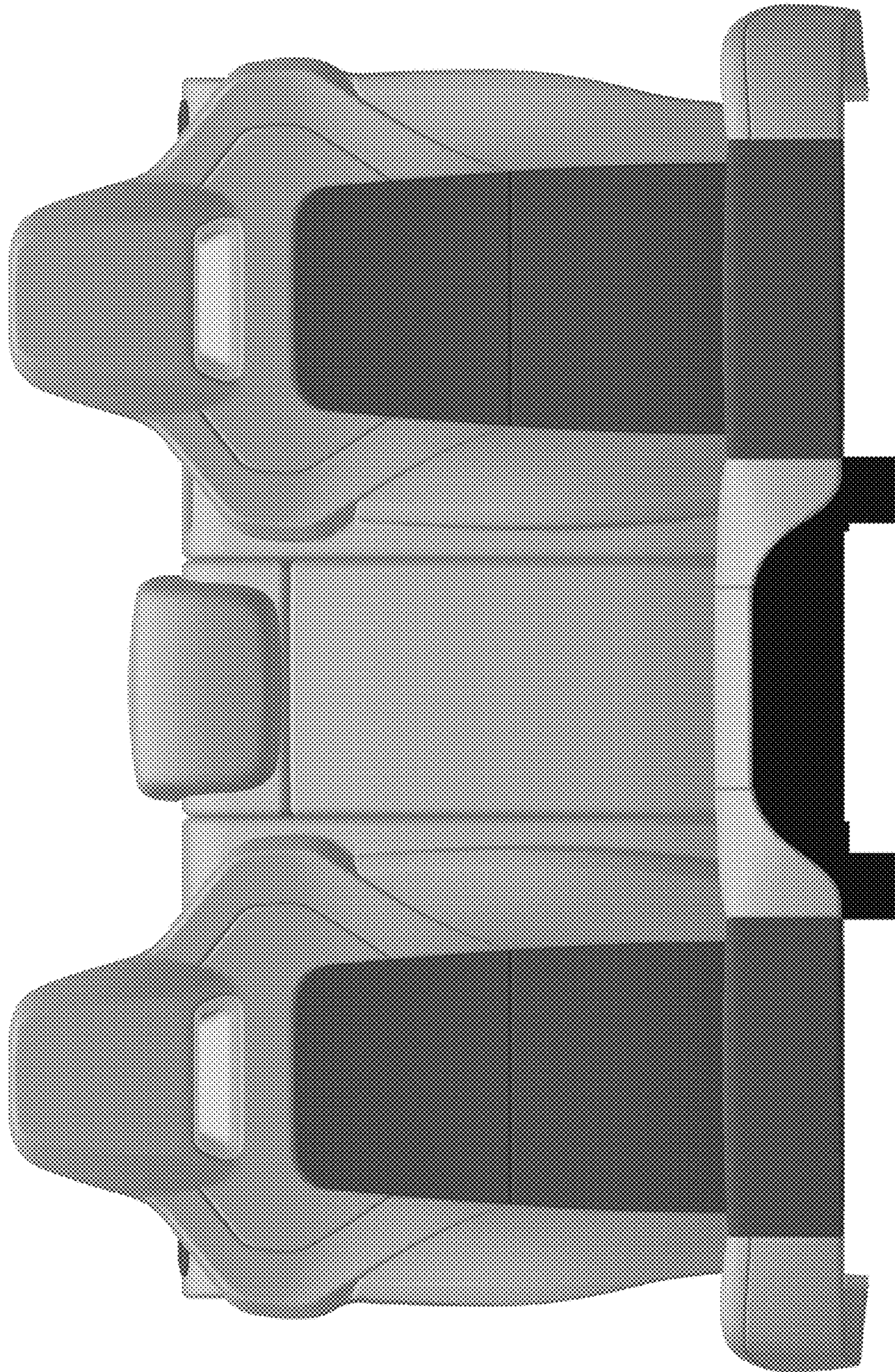


FIG. 5

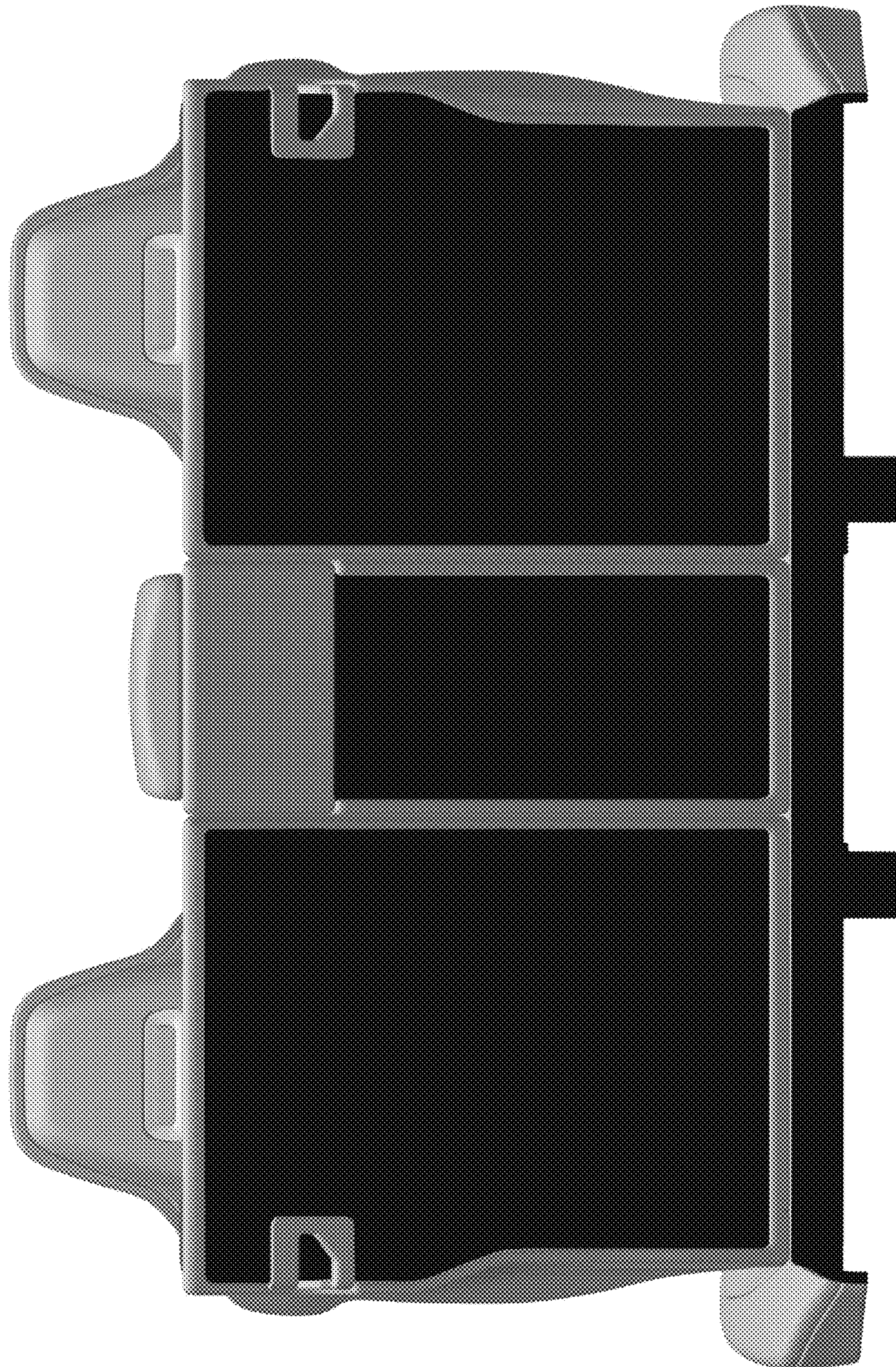


FIG. 6



FIG. 7



FIG. 8

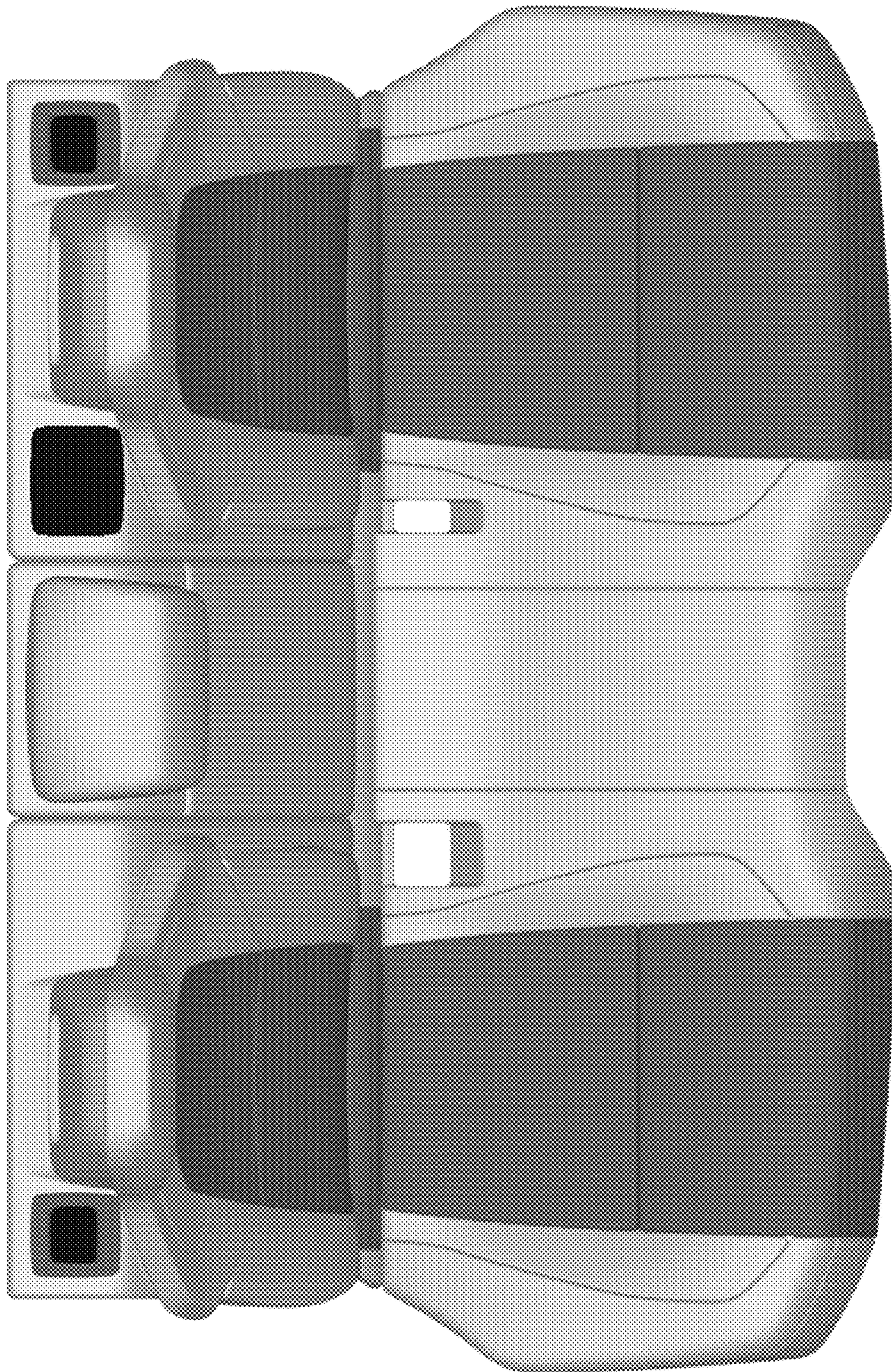


FIG. 9