



US00D861350S

(12) **United States Design Patent**
Frank

(10) **Patent No.:** **US D861,350 S**
(45) **Date of Patent:** **** Oct. 1, 2019**

- (54) **CLUTCH STRAP FOR SECURING SMALL ITEMS**
- (71) Applicant: **Kristina D. Frank**, Marietta, GA (US)
- (72) Inventor: **Kristina D. Frank**, Marietta, GA (US)
- (**) Term: **15 Years**
- (21) Appl. No.: **29/642,231**
- (22) Filed: **Mar. 28, 2018**
- (51) **LOC (12) Cl.** **03-01**
- (52) **U.S. Cl.**
USPC **D3/327; D3/318**
- (58) **Field of Classification Search**
USPC **D3/240-243, 245-246, 318, 327; D11/218**
CPC **A45C 3/00; A45C 3/02; A45C 3/04; A45C 3/10; A45C 9/00; A45C 13/08; A45C 13/30; A45C 15/00; A45C 2003/008; A45C 13/22; A45C 1/024; A45C 3/06**
See application file for complete search history.

(56) **References Cited**

U.S. PATENT DOCUMENTS

D386,125 S *	11/1997	Anscher	D11/200
D386,310 S *	11/1997	Smith	D3/327
D420,514 S *	2/2000	Morlet	D3/327
6,390,345 B1 *	5/2002	Brown	A45C 3/00 190/110
6,594,370 B1	7/2003	Anderson		
6,728,556 B1	4/2004	Whitley		
6,954,659 B2	10/2005	Tushinsky et al.		
7,236,751 B2	6/2007	Ono		
D609,011 S *	2/2010	Cucuzza	A45F 5/12 D3/327
D617,561 S *	6/2010	Salerno-Tortora	D3/318

(Continued)

OTHER PUBLICATIONS

<http://coolmomtech.com/2014/06/bandolier-iphone-case/>
<http://store.shopping.yahoo.co.jp/iplus/15-ms-4bk.html>

(Continued)

Primary Examiner — Holly H Baynham
(74) *Attorney, Agent, or Firm* — Notio Law Group, LLC

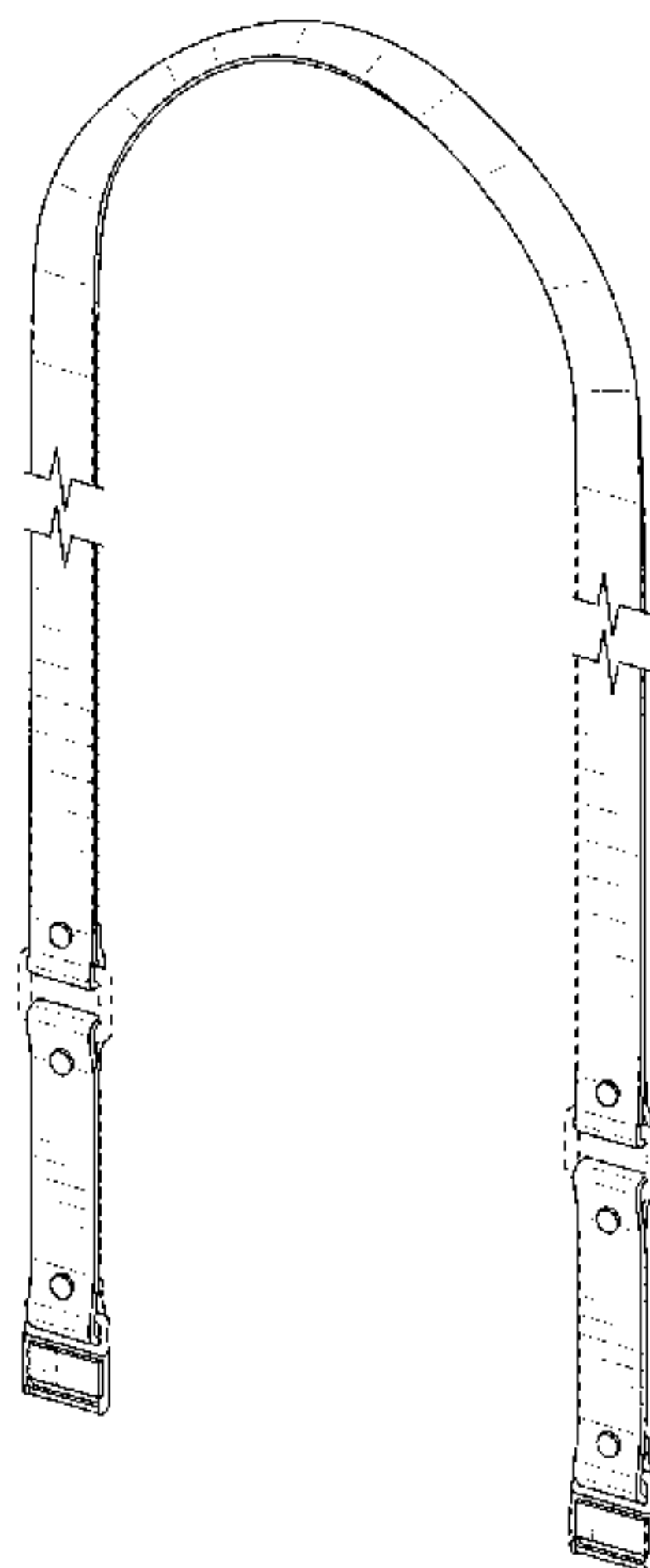
(57) **CLAIM**

An ornamental design for a clutch strap for securing small items, as shown and described.

DESCRIPTION

FIG. 1 illustrates a front perspective view of my new strap design for holding small items.
 FIG. 2 illustrates a front view of my new strap design for holding small items.
 FIG. 3 illustrates a back view of my new strap design for holding small items.
 FIG. 4 illustrates a left side view of my new strap design for holding small items
 FIG. 5 illustrates a right side view of my new strap design for holding small items.
 FIG. 6 illustrates a top view of my new strap design for holding small items
 FIG. 7 illustrates a bottom view of my new strap design for holding small items.
 FIG. 8 is an enlarged perspective view of a fastener used to secure the strap to the item to be held.
 FIG. 9 is an enlarged perspective view of a fastener of FIG. 8 in an unlatched position.
 FIG. 10 is a perspective view of the strap of FIG. 3 attached to a small item, i.e., a cell phone; and,
 FIG. 11 is a perspective view of the strap of FIG. 3 attached to a small item, i.e., a cell phone, illustrating one fastener that is latched and one fastener that is unlatched.
 Broken lines representing the attached device are included for the purpose of illustrating environment and form no part of the claimed invention.
 The broken away symbols in the drawings indicate that any portion of the article beyond what is shown forms no part of the claimed design.

1 Claim, 11 Drawing Sheets



(56)

References Cited

U.S. PATENT DOCUMENTS

D623,861 S * 9/2010 Kope G03B 17/566
D3/327
8,060,031 B2 11/2011 Henderson
D691,809 S * 10/2013 Palevac D3/327
D732,295 S * 6/2015 Aafjes D3/318
D793,089 S * 8/2017 Jackson D3/327
D815,433 S * 4/2018 Gerbelle D3/246
D836,334 S * 12/2018 Chung A45C 3/06
D3/243
D841,985 S * 3/2019 Venturini Fendi D3/327

OTHER PUBLICATIONS

<http://www.strapya-world.com/products/39944.html>.
http://www.staples.com/EK-Guardian-Retention-Case-and-Card-Holder-For-iPhone-5-5S-Black/product_1188453.
<http://newatlas.com/clipless-smartphone-mount/27843/>.
<http://www.gearkeeper.com/communication/cellphones.html>.
<http://atmac.org/lanyard-strap-iphone-ipod-touch>.

* cited by examiner

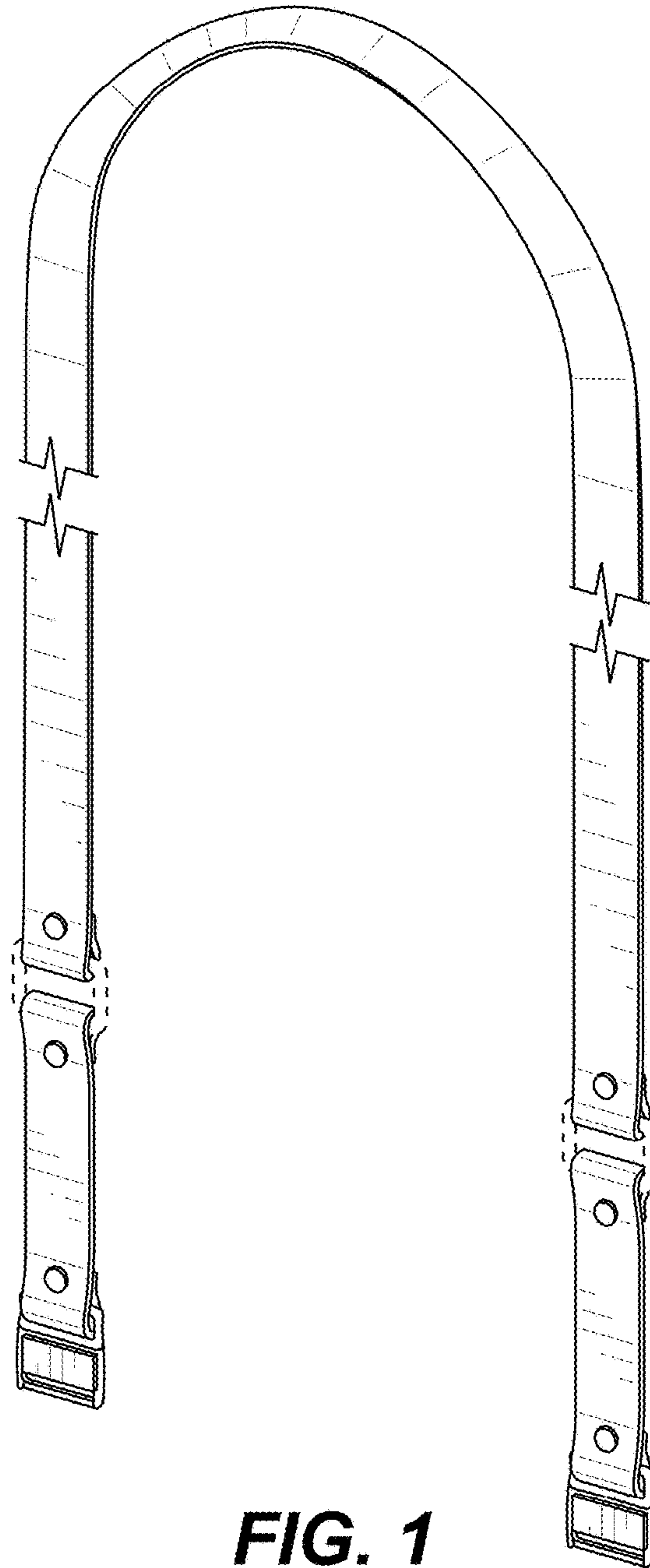


FIG. 1

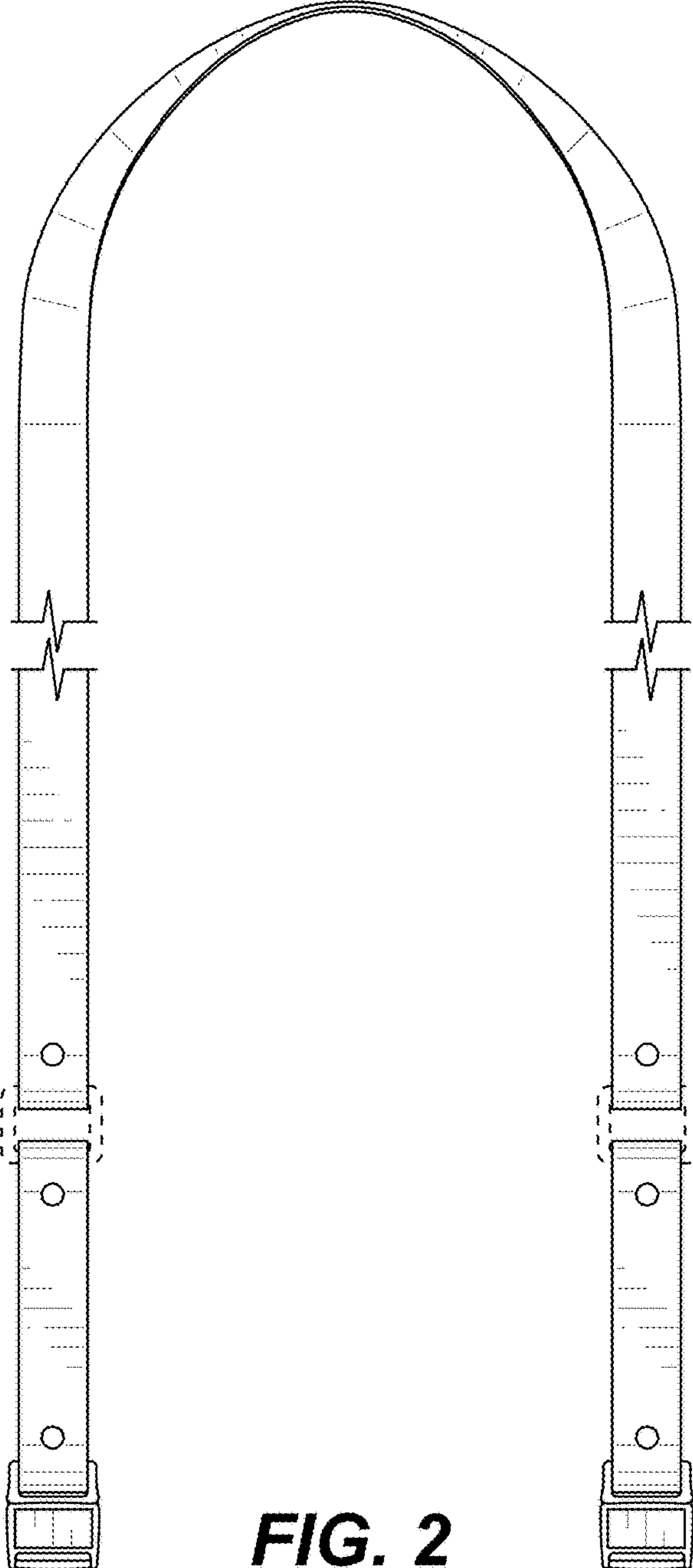


FIG. 2

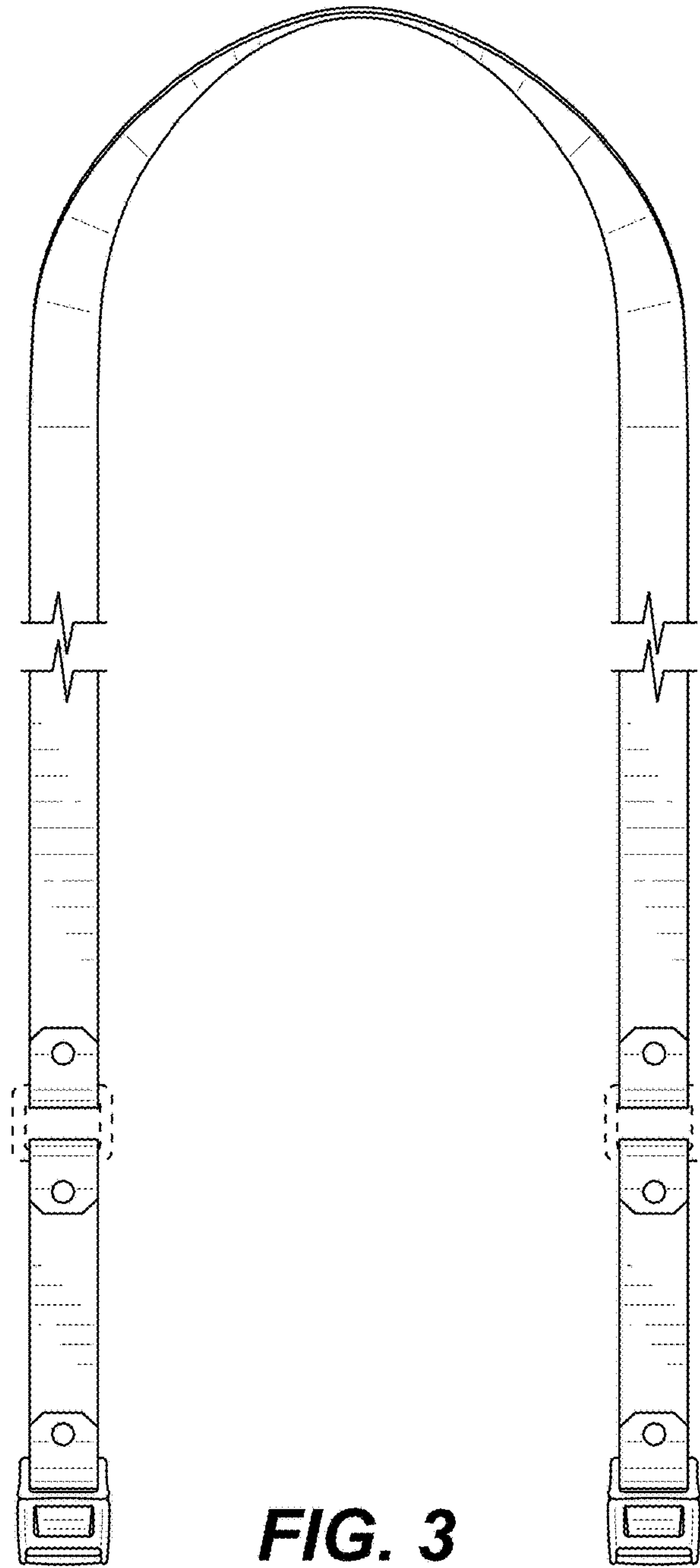


FIG. 3

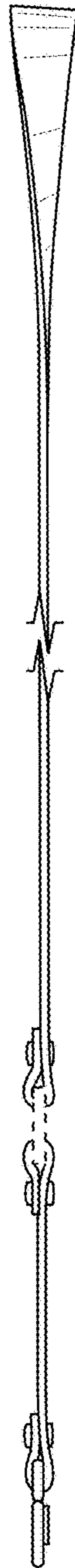


FIG. 4

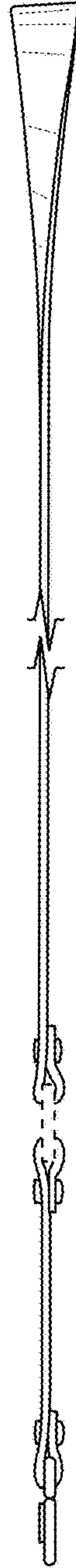


FIG. 5

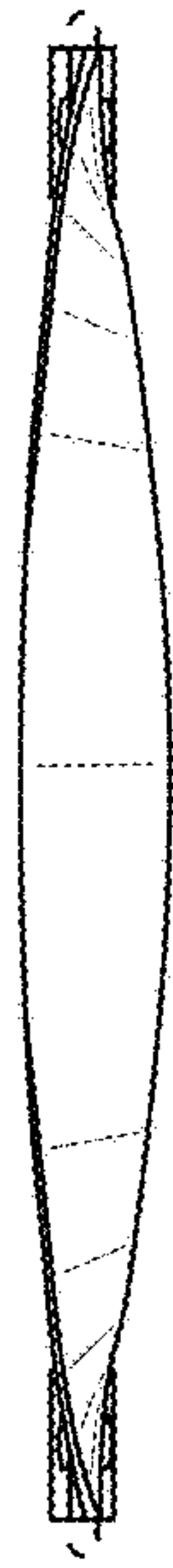


FIG. 6



FIG. 7

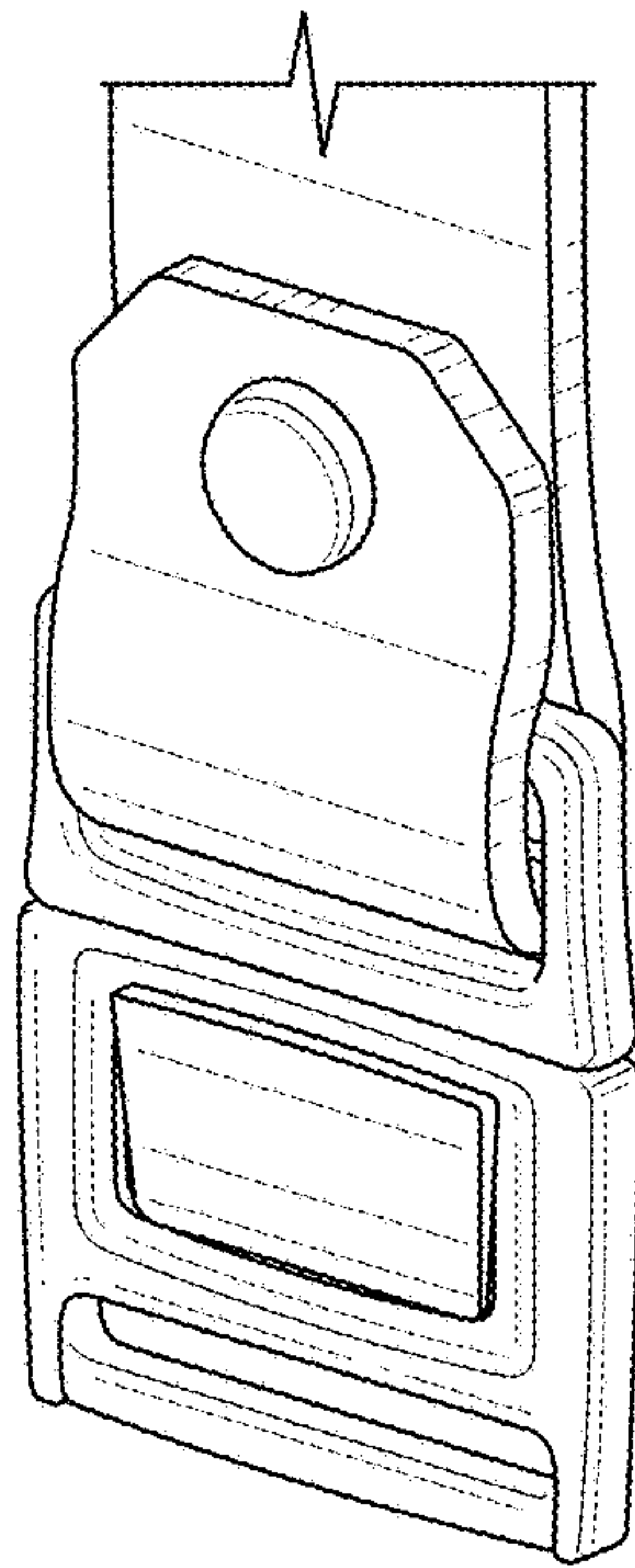


FIG. 8

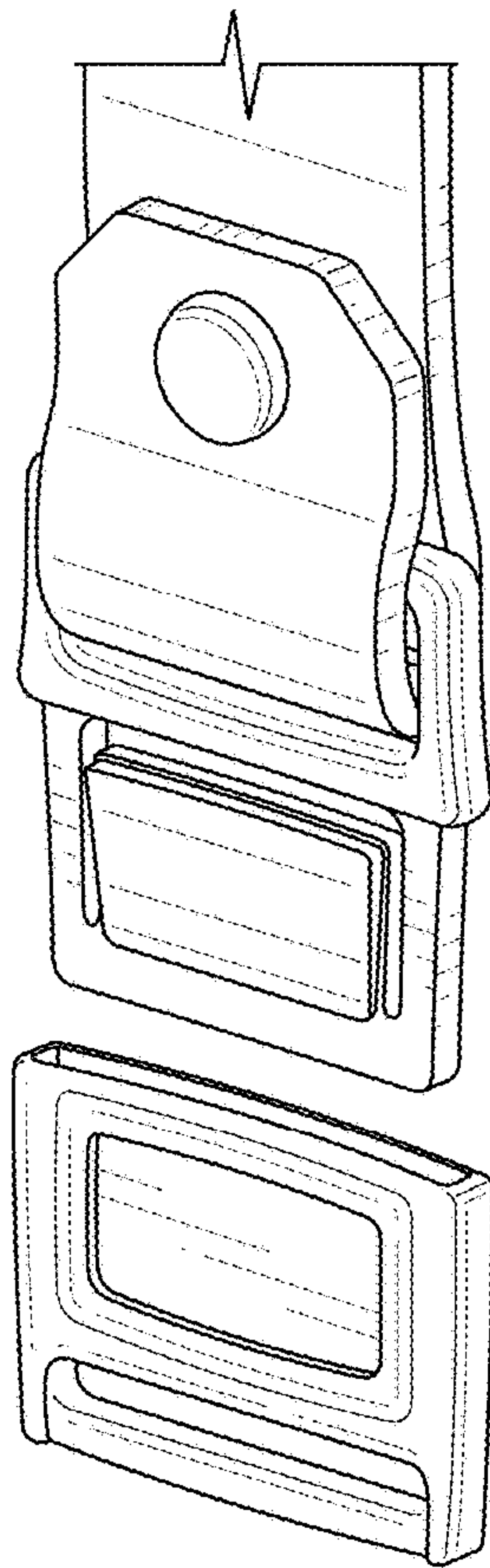


FIG. 9

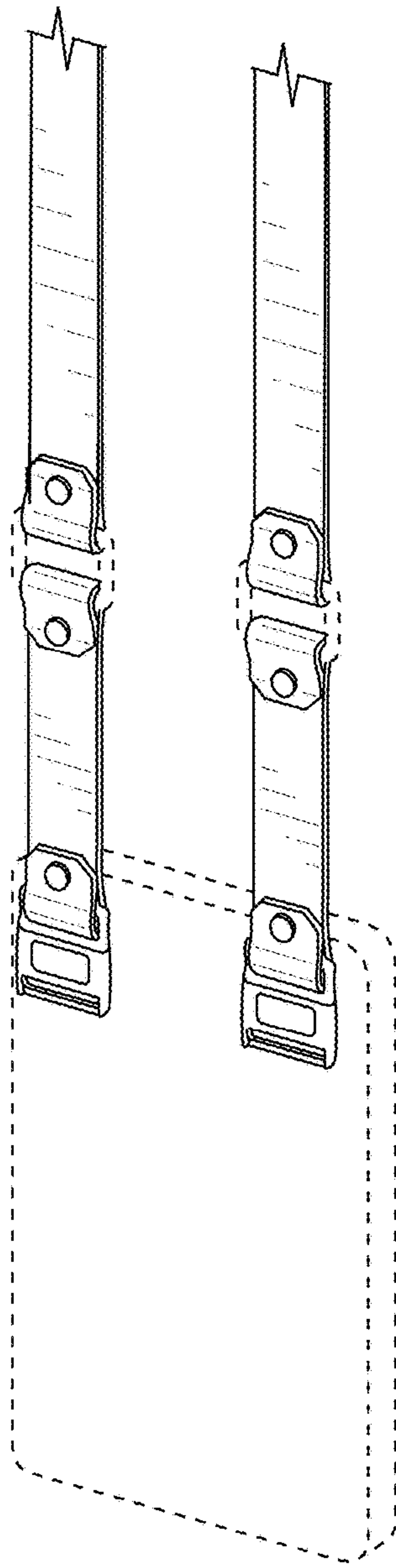


FIG. 10

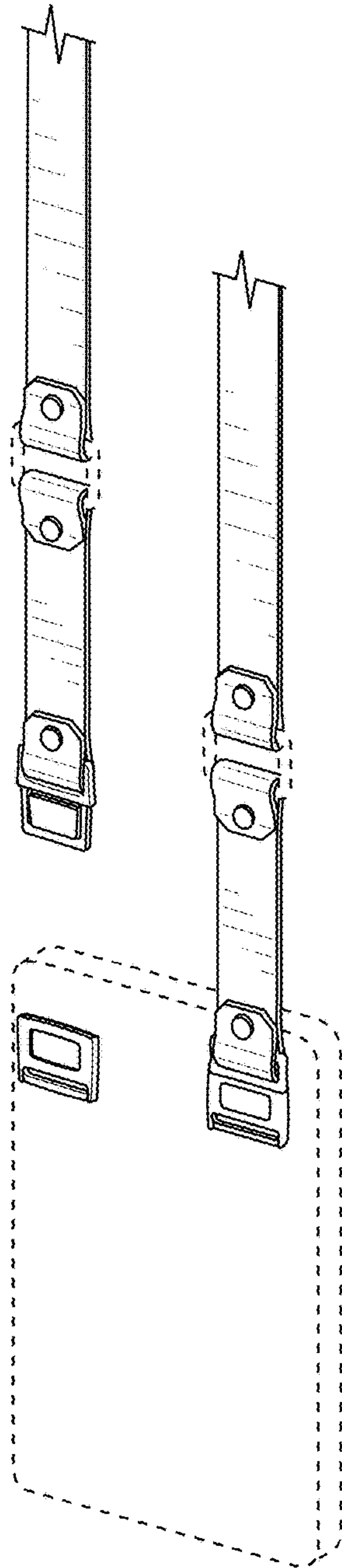


FIG. 11