



US00D861348S

(12) **United States Design Patent**
Berdugo

(10) **Patent No.:** **US D861,348 S**

(45) **Date of Patent:** **** Oct. 1, 2019**

(54) **COMBINED CLIP AND POUCH**

(71) Applicant: **A1 Products USA LLC**, Minden, NV (US)

(72) Inventor: **Moshe Berdugo**, Kfar Saba (IL)

(73) Assignee: **A1 PRODUCTS USA LLC**, Minden, NV (US)

(**) Term: **15 Years**

(21) Appl. No.: **29/641,222**

(22) Filed: **Mar. 20, 2018**

(51) **LOC (12) Cl.** **03-01**

(52) **U.S. Cl.**
USPC **D3/318**

(58) **Field of Classification Search**
USPC D3/318; D8/367
CPC A45C 11/18; A45C 11/182; A45C 5/14
See application file for complete search history.

(56) **References Cited**

U.S. PATENT DOCUMENTS

D354,912 S *	1/1995	Roy	D3/246
6,082,422 A *	7/2000	Kaminski	A45C 11/182
				150/137
D666,833 S *	9/2012	Robinson	D3/318
D721,498 S *	1/2015	Holt	D3/318
D773,190 S *	12/2016	Rowland	D3/318

* cited by examiner

Primary Examiner — Holly H Baynham

(74) *Attorney, Agent, or Firm* — The Roy Gross Law Firm, LLC; Roy Gross

(57) **CLAIM**

The ornamental design for combined clip and pouch, as shown and described.

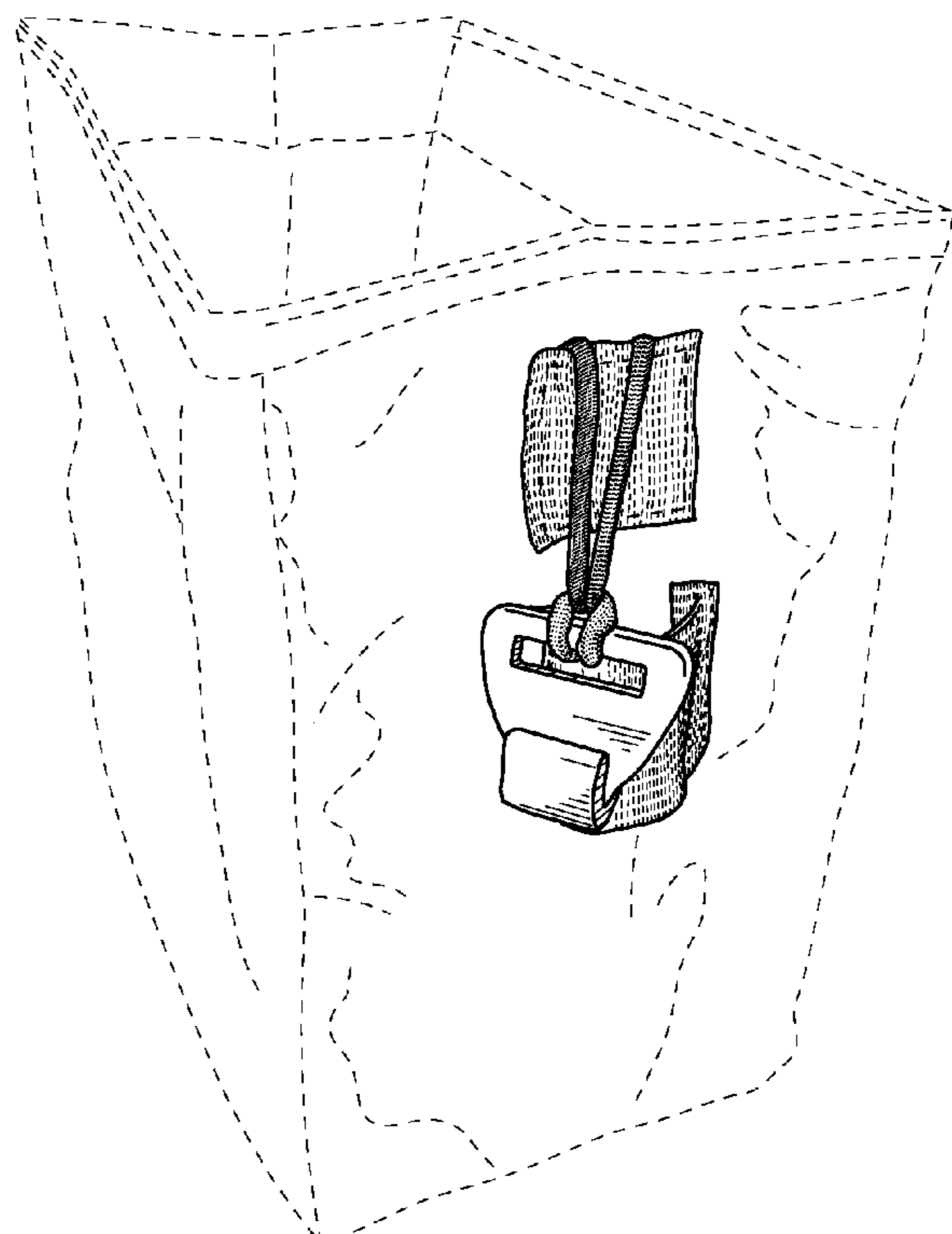
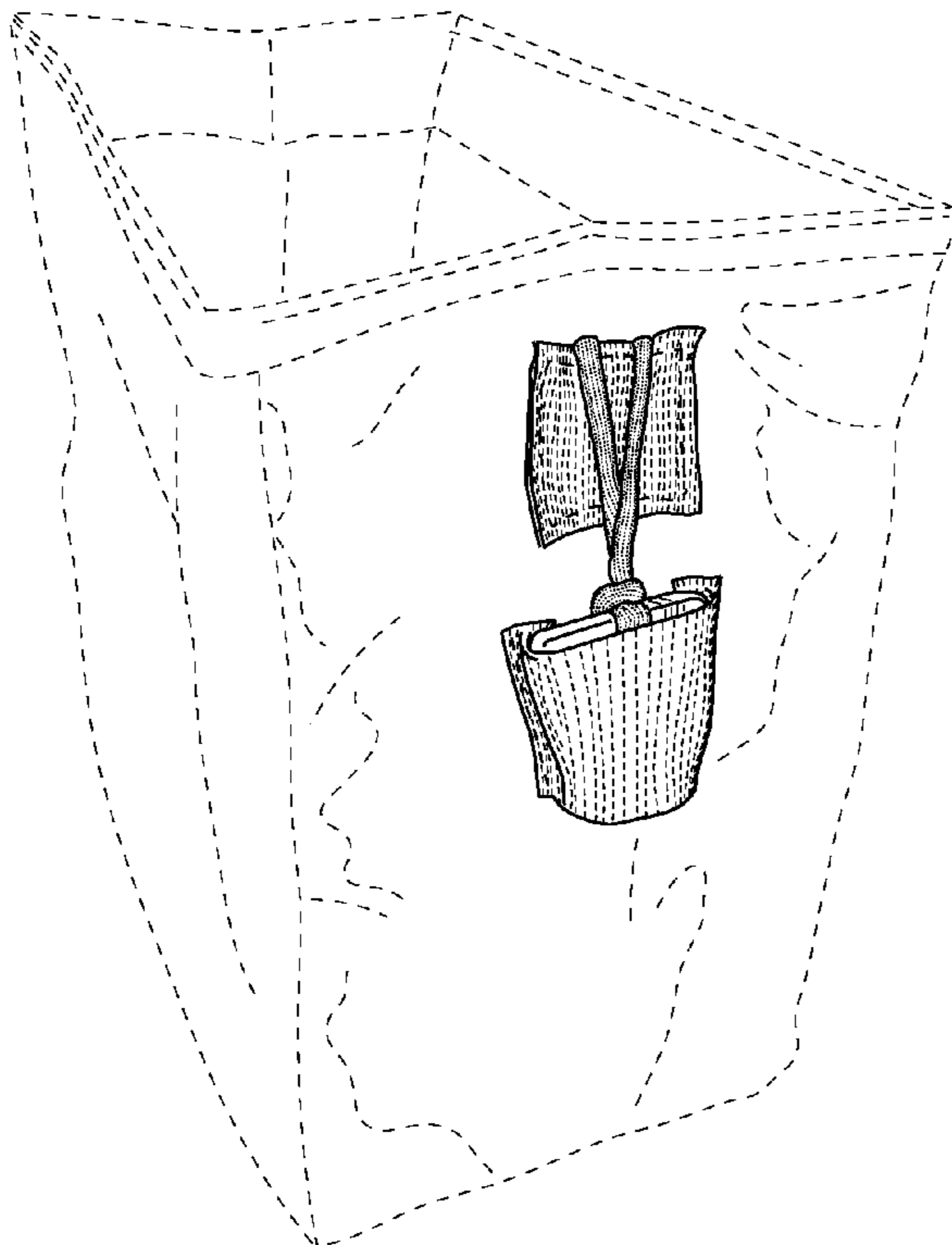
DESCRIPTION

FIG. 1 is a front perspective view of a clip and pouch in accordance with the new design;
 FIG. 2 is a front perspective view thereof with clip located within the pouch;
 FIG. 3 is a side view thereof;
 FIG. 4 is a perspective view of the clip thereof;
 FIG. 5 is right side view of the clip thereof;
 FIG. 6 is a front view of the clip thereof;
 FIG. 7 is a left side view of the clip thereof;
 FIG. 8 is a bottom view of the clip thereof;
 FIG. 9 is a rear view of the clip thereof;
 FIG. 10 is a top view of the clip thereof;
 FIG. 11 is a perspective view of the pouch thereof;
 FIG. 12 is a front view of the pouch thereof; and,
 FIG. 13 is a rear view of the pouch thereof.

The broken lines showing a basket and a clip are for the purposes of illustrating environment and form now part of the claimed design.

The clip and pouch are shown detached for ease and clarity of illustration.

1 Claim, 5 Drawing Sheets



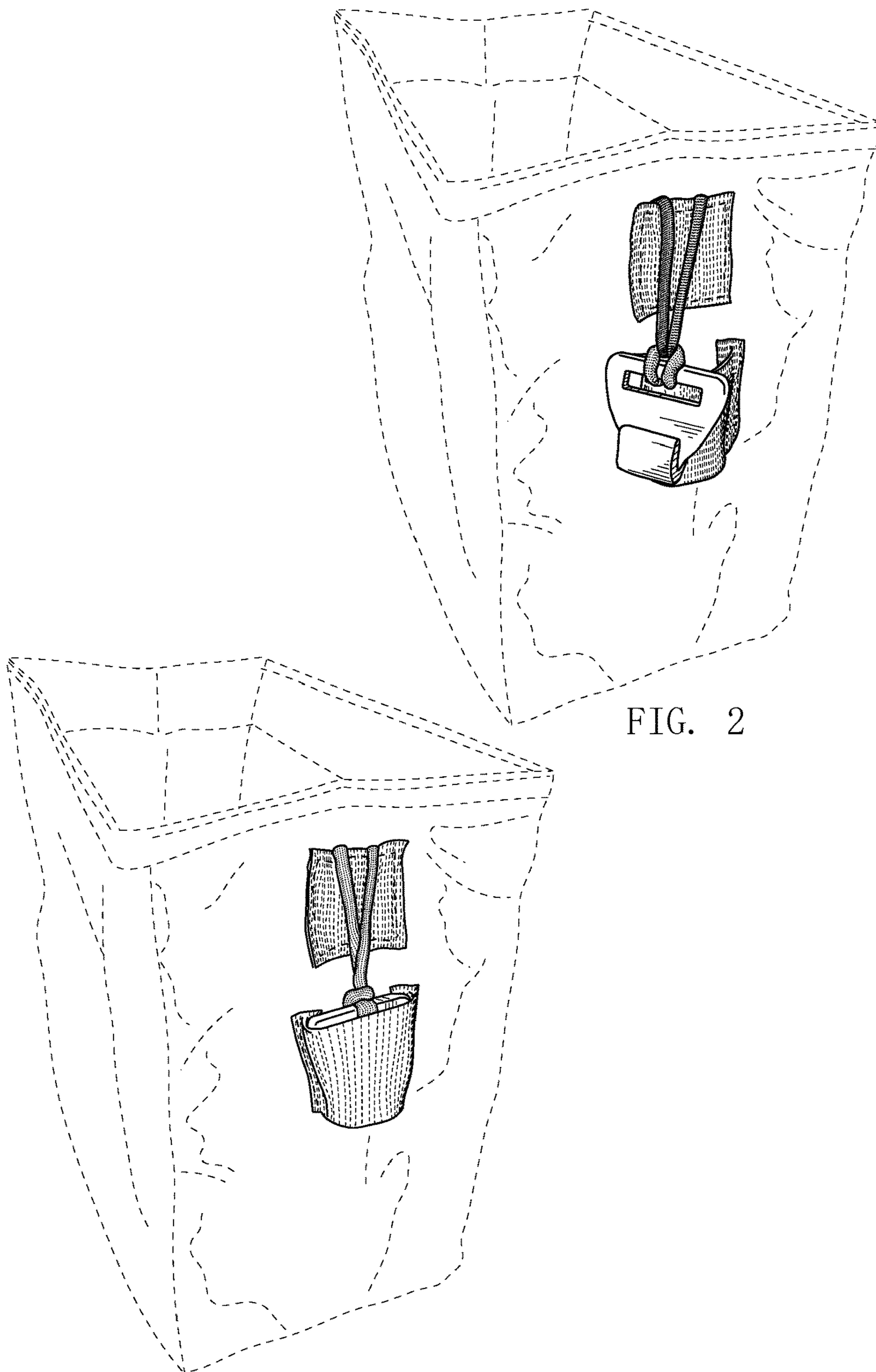


FIG. 2

FIG. 1

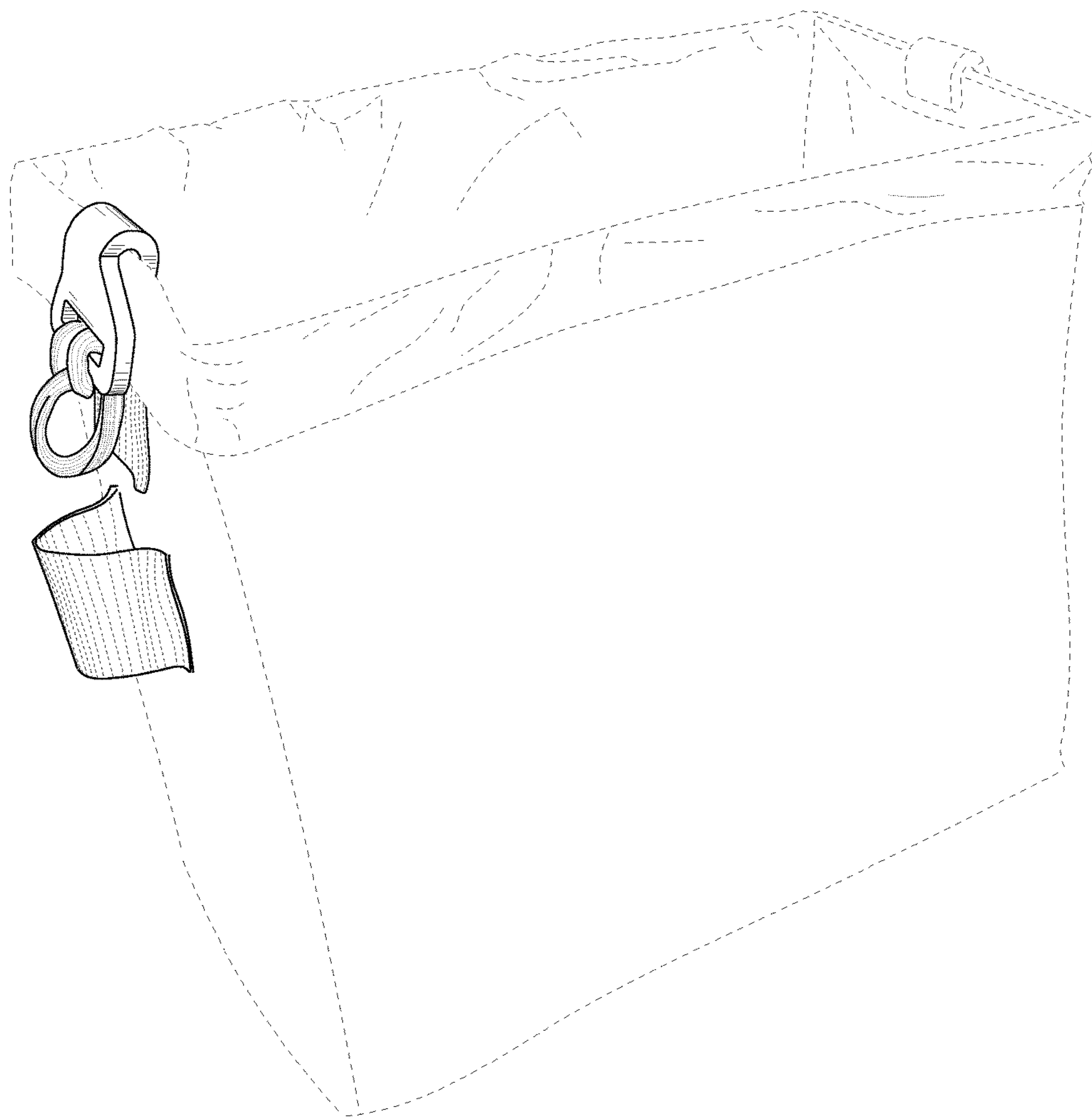


FIG. 3

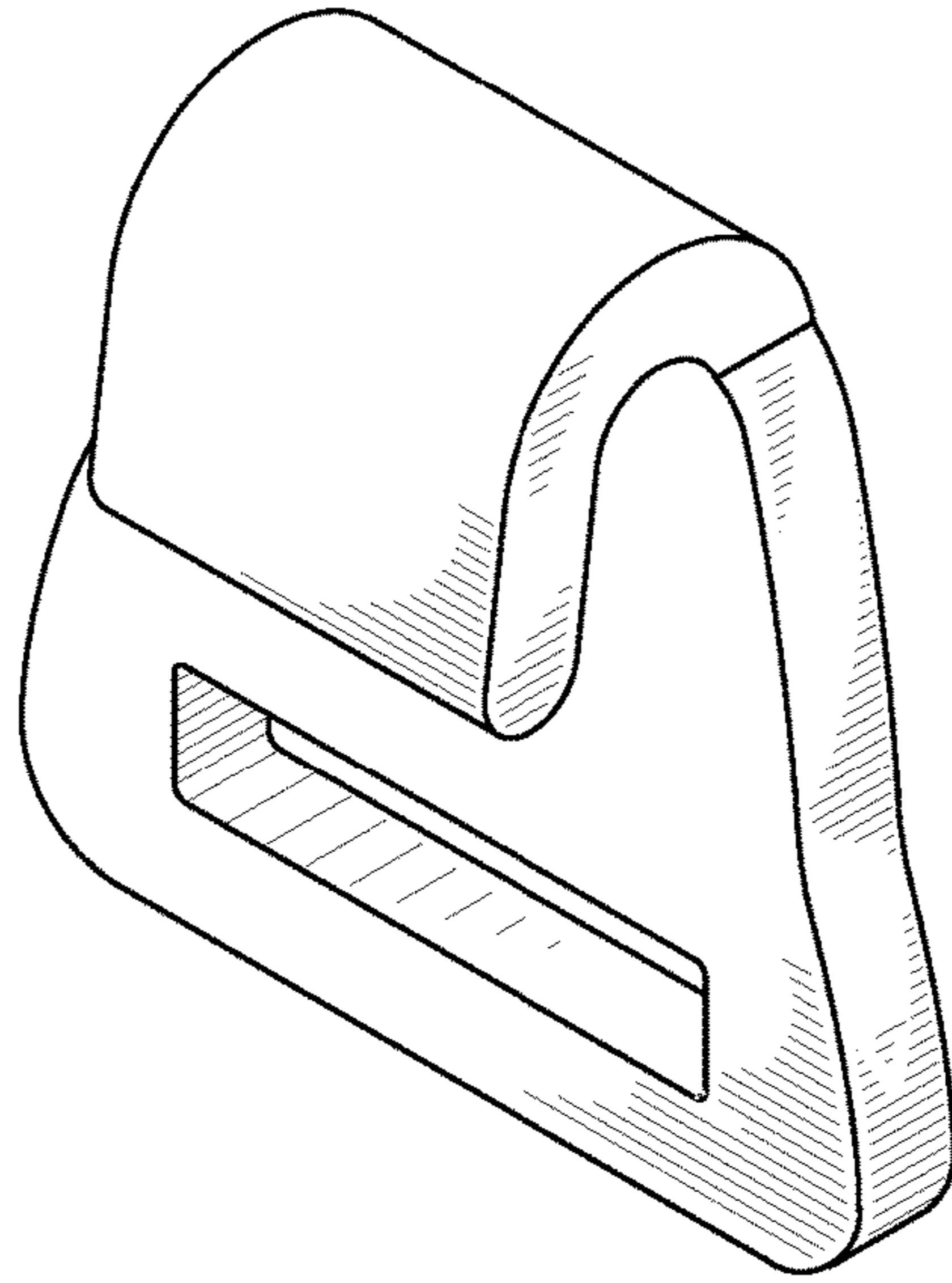


FIG. 4

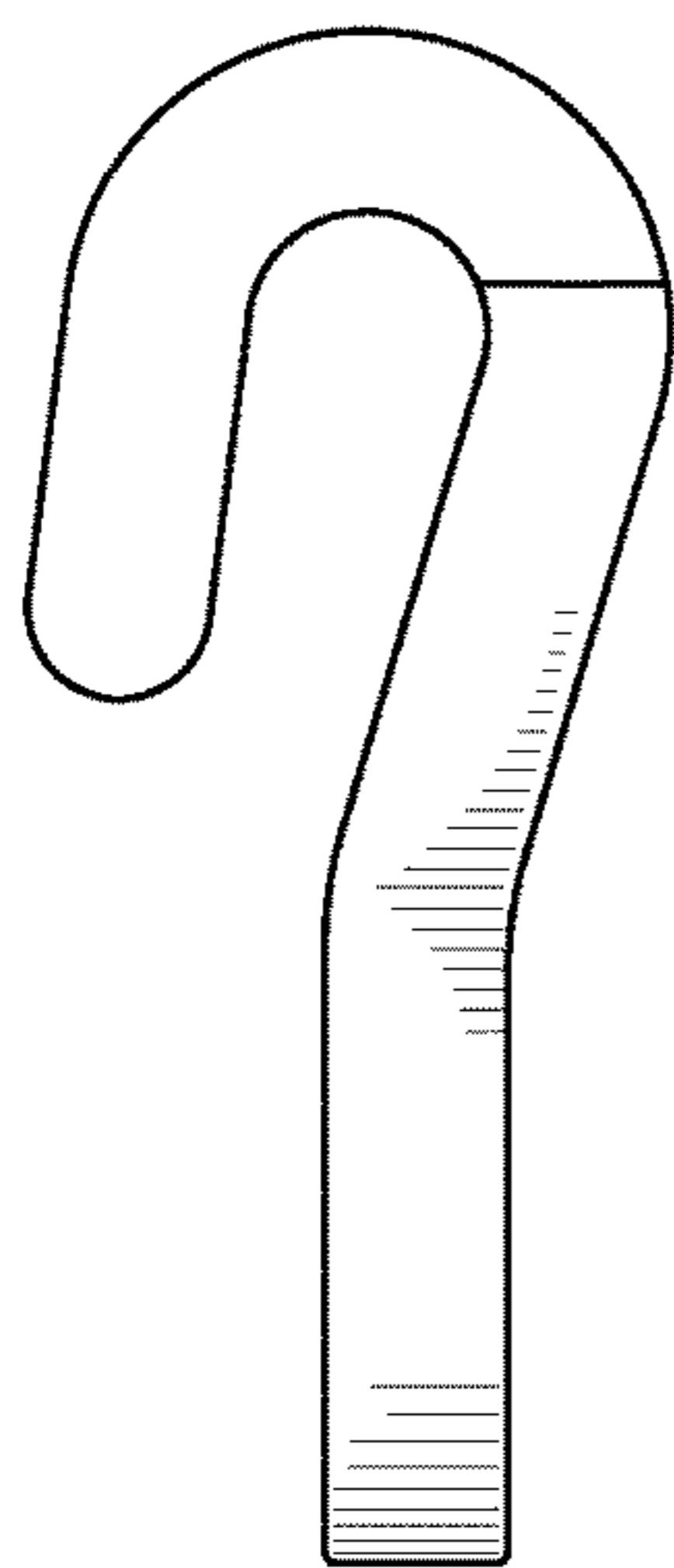


FIG. 5

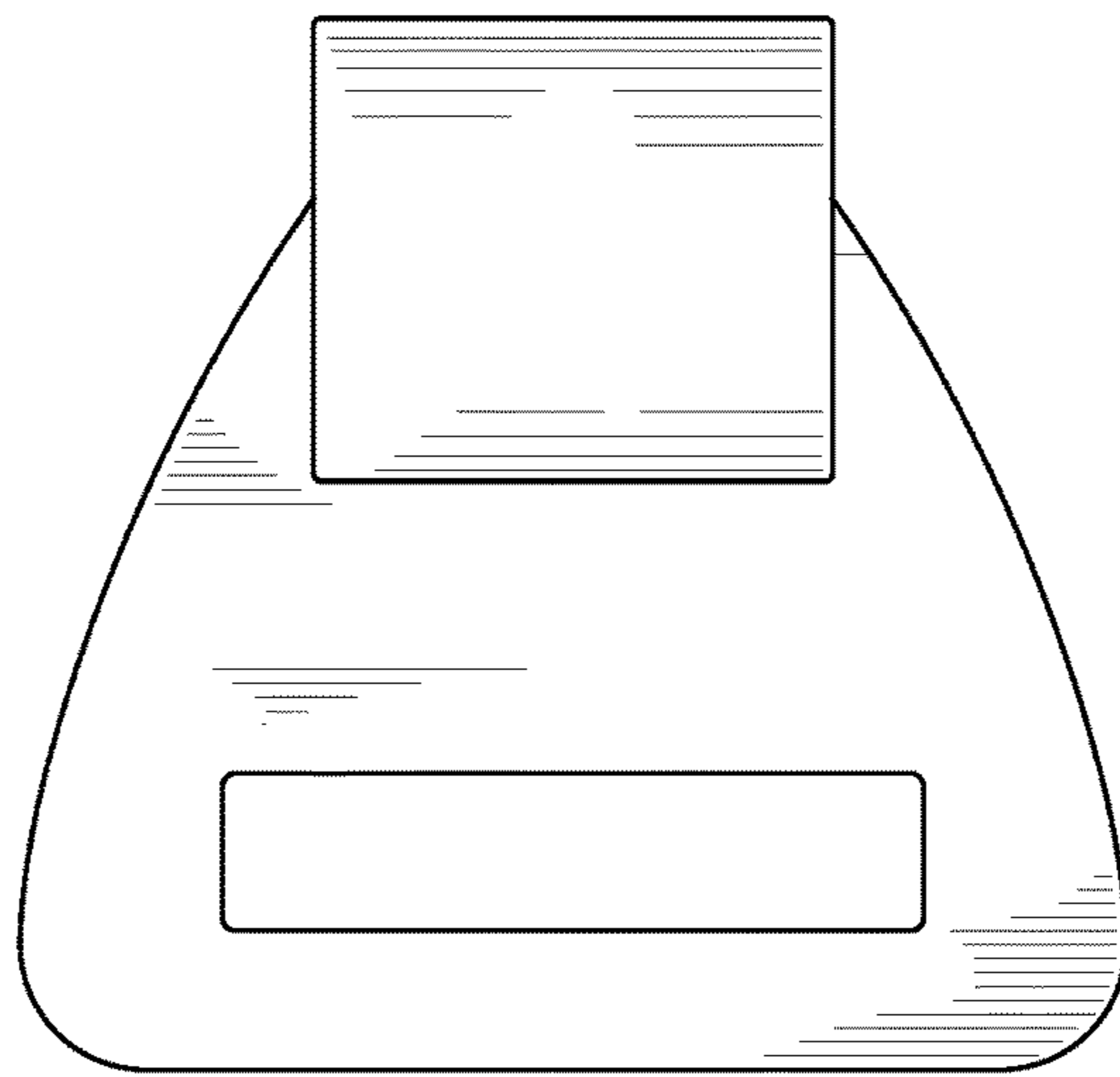


FIG. 6

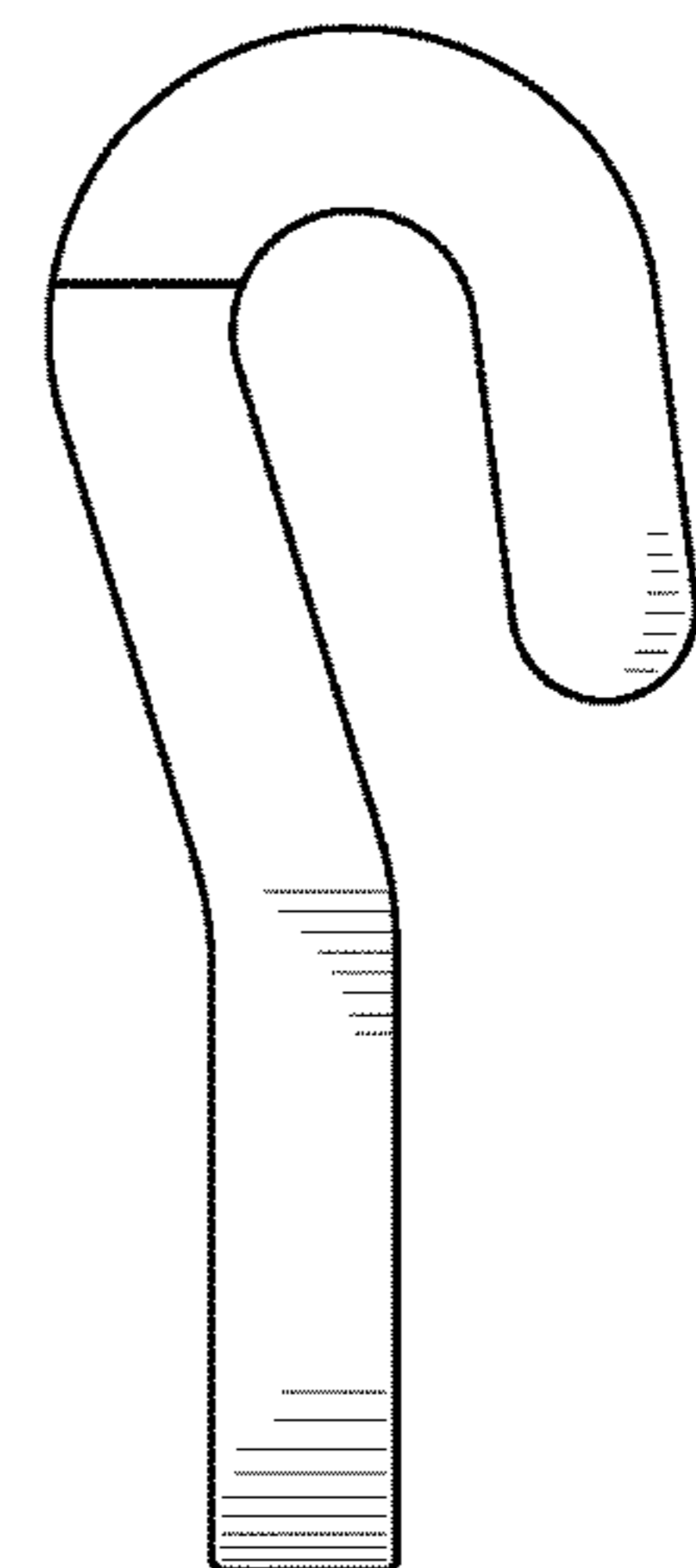


FIG. 7

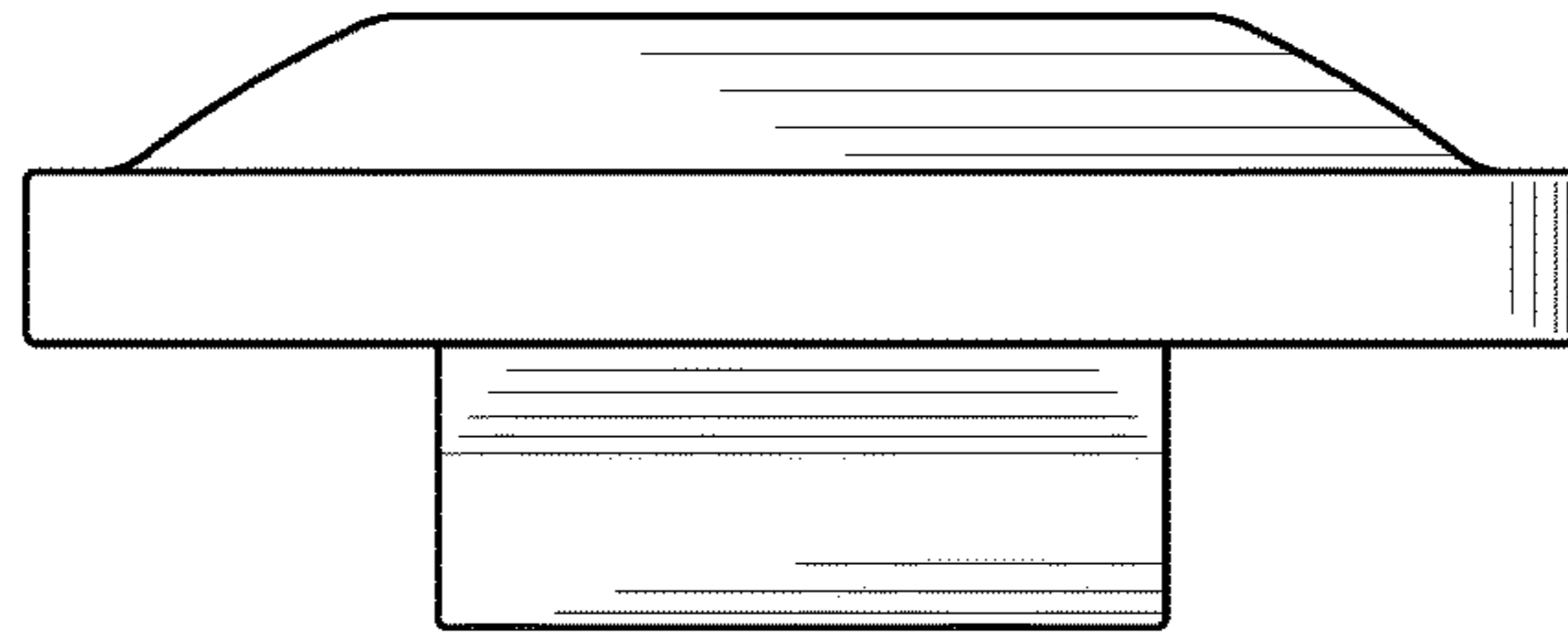


FIG. 8



FIG. 9

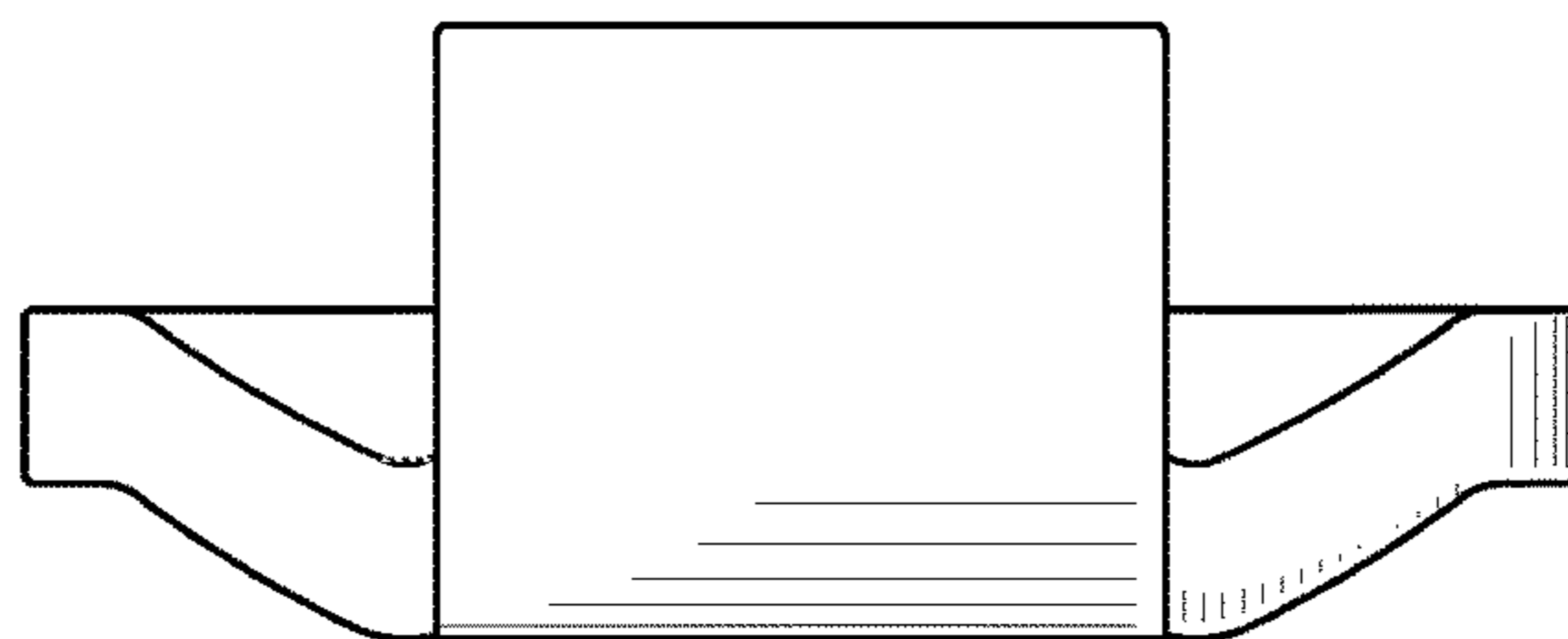


FIG. 10

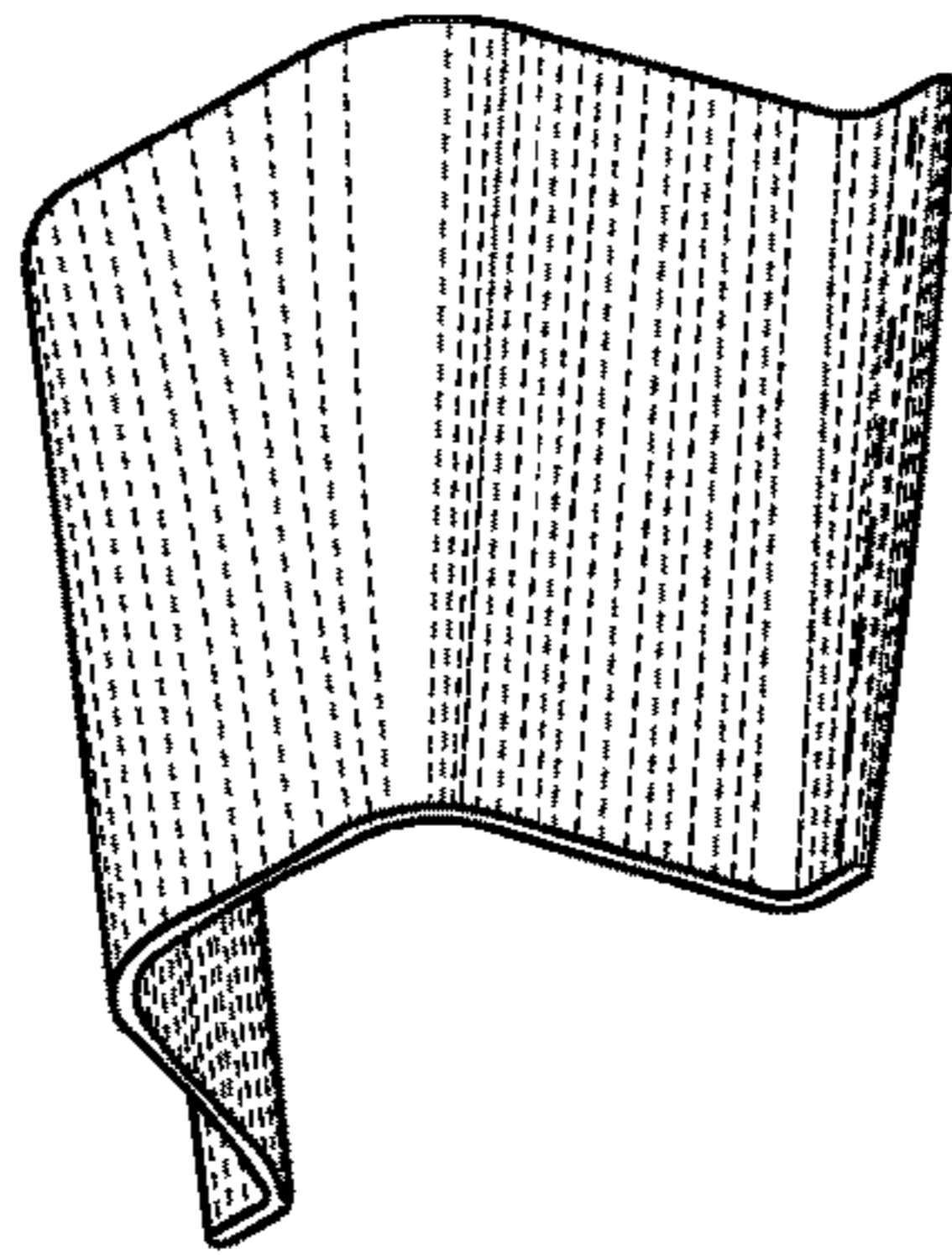


FIG. 11

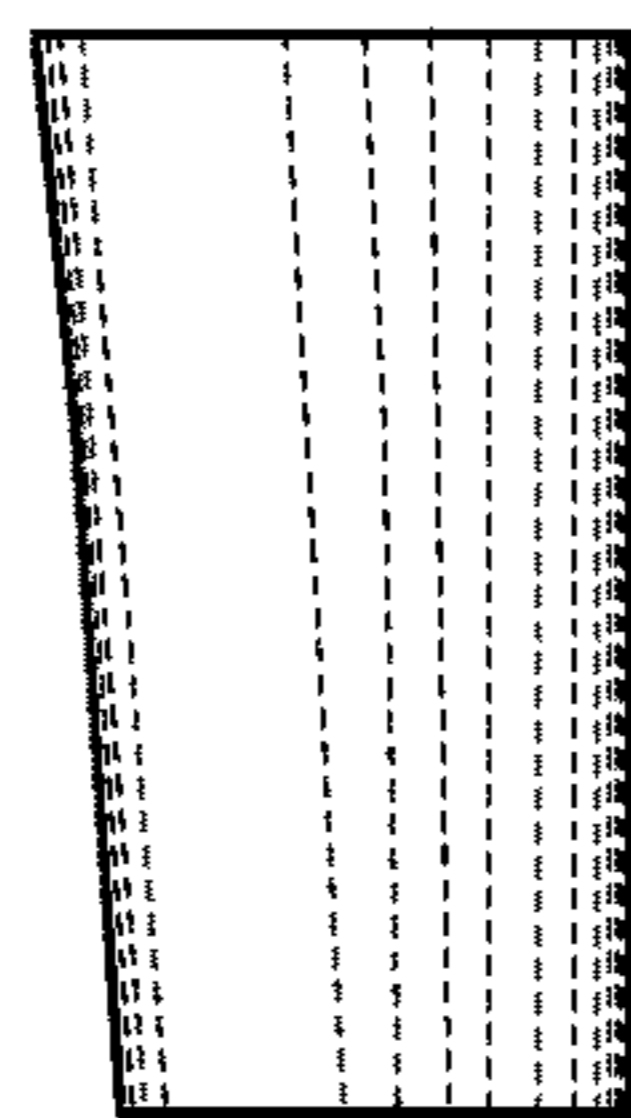


FIG. 12

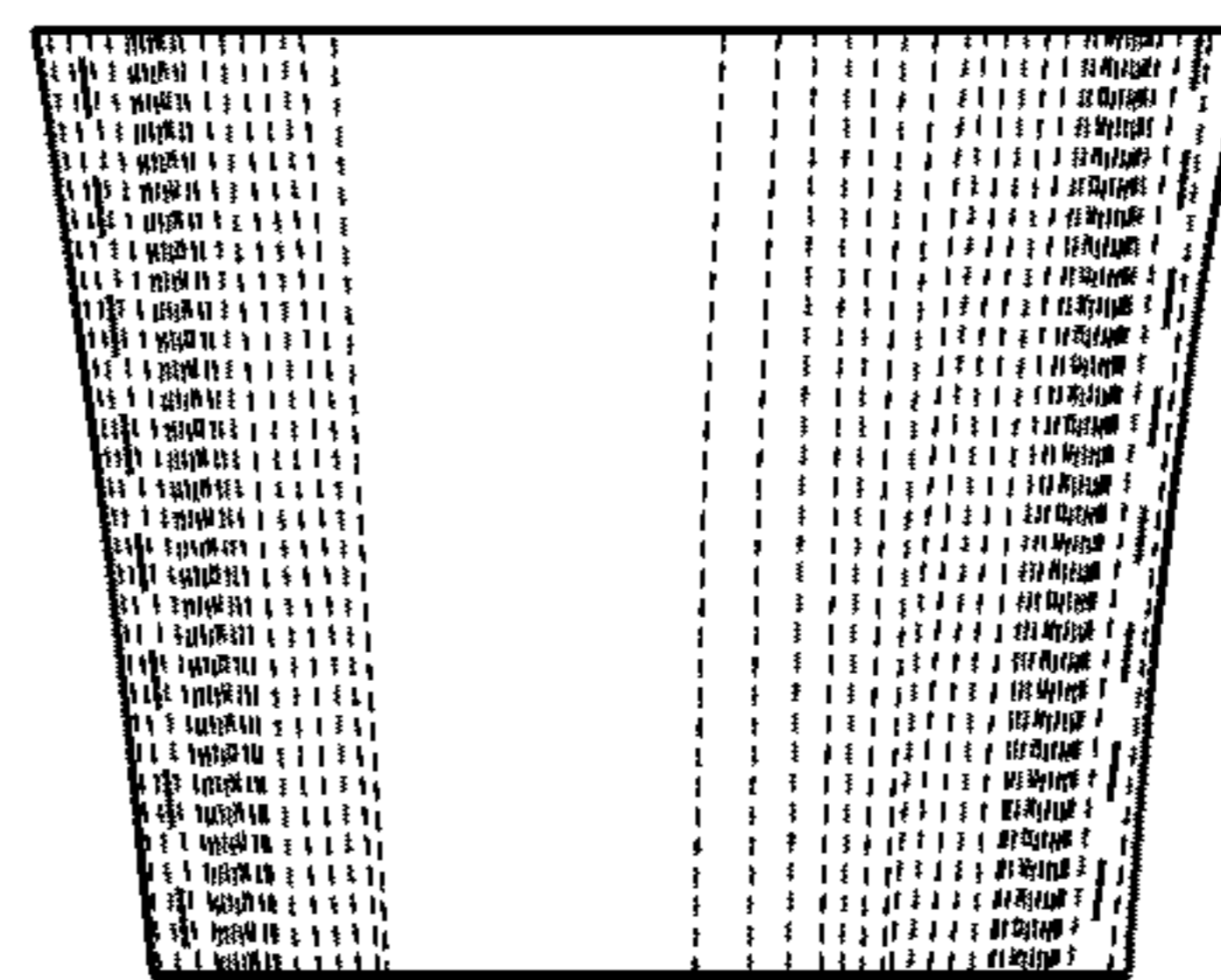


FIG. 13