



US00D861347S

(12) **United States Design Patent** (10) **Patent No.:** **US D861,347 S**
Abuyounes (45) **Date of Patent:** **** Oct. 1, 2019**

(54) **HANDLE**
(71) Applicant: **DSADM, LLC**, Los Angeles, CA (US)
(72) Inventor: **Daana Saakena Abuyounes**, Los Angeles, CA (US)
(73) Assignee: **DSADM, LLC**, Los Angeles, CA (US)
(**) Term: **15 Years**
(21) Appl. No.: **29/633,699**

Primary Examiner — Holly H Baynham
(74) *Attorney, Agent, or Firm* — Knobbe, Martens, Olson & Bear, LLP

(57) **CLAIM**

The ornamental design for a handle, as shown and described.

DESCRIPTION

(22) Filed: **Jan. 15, 2018**
(51) **LOC (12) Cl.** **03-01**
(52) **U.S. Cl.**
USPC **D3/318**
(58) **Field of Classification Search**
USPC D3/232–233, 240–243, 245–246; D8/315
CPC ... A45C 1/024; A45C 3/06; A45F 5/00; A45F
3/14
See application file for complete search history.

FIG. 1 is a perspective view of a handle, showing my new design;
FIG. 2 is a front elevational view thereof;
FIG. 3 is a rear elevational view thereof;
FIG. 4 is a right side elevational view thereof;
FIG. 5 is a left side elevational view thereof;
FIG. 6 is a top plan view thereof;
FIG. 7 is a bottom plan view thereof;
FIG. 8 is a perspective view of one embodiment of my new design for a handle;
FIG. 9 is a front elevational view thereof;
FIG. 10 is a rear elevational view thereof;
FIG. 11 is a right side elevational view thereof;
FIG. 12 is a left side elevational view thereof;
FIG. 13 is a top plan view thereof;
FIG. 14 is a bottom plan view thereof;
FIG. 15 is a perspective view thereof, showing the handle in use as part of a handbag, where the handle includes an optional logo, the logo forming no part of the claimed design; and,
FIG. 16 is a top plan view of the handle in the embodiment shown in FIG. 15.
The lightweight, short broken lines in the drawings illustrate features of the handle and the environment which form no part of the claimed design.
In FIGS. 1-7, the handle is shown with symbolic breaks. The appearance of any portion of the handle between the break lines forms no part of the claimed design.

(56) **References Cited**

U.S. PATENT DOCUMENTS

1,930,378	A *	10/1933	Beagan	A47D 15/006 128/875
D252,657	S	8/1979	Young		
D253,502	S	11/1979	Young		
D254,649	S	4/1980	Felser		
D277,337	S	1/1985	Parrochia		
D277,620	S	2/1985	Parrochia		
D285,850	S	9/1986	Waldron		
D310,745	S	9/1990	Cross		
D346,921	S	5/1994	Stallsmith		
D409,913	S	5/1999	Le Roux		
D415,683	S	10/1999	Ducorday		

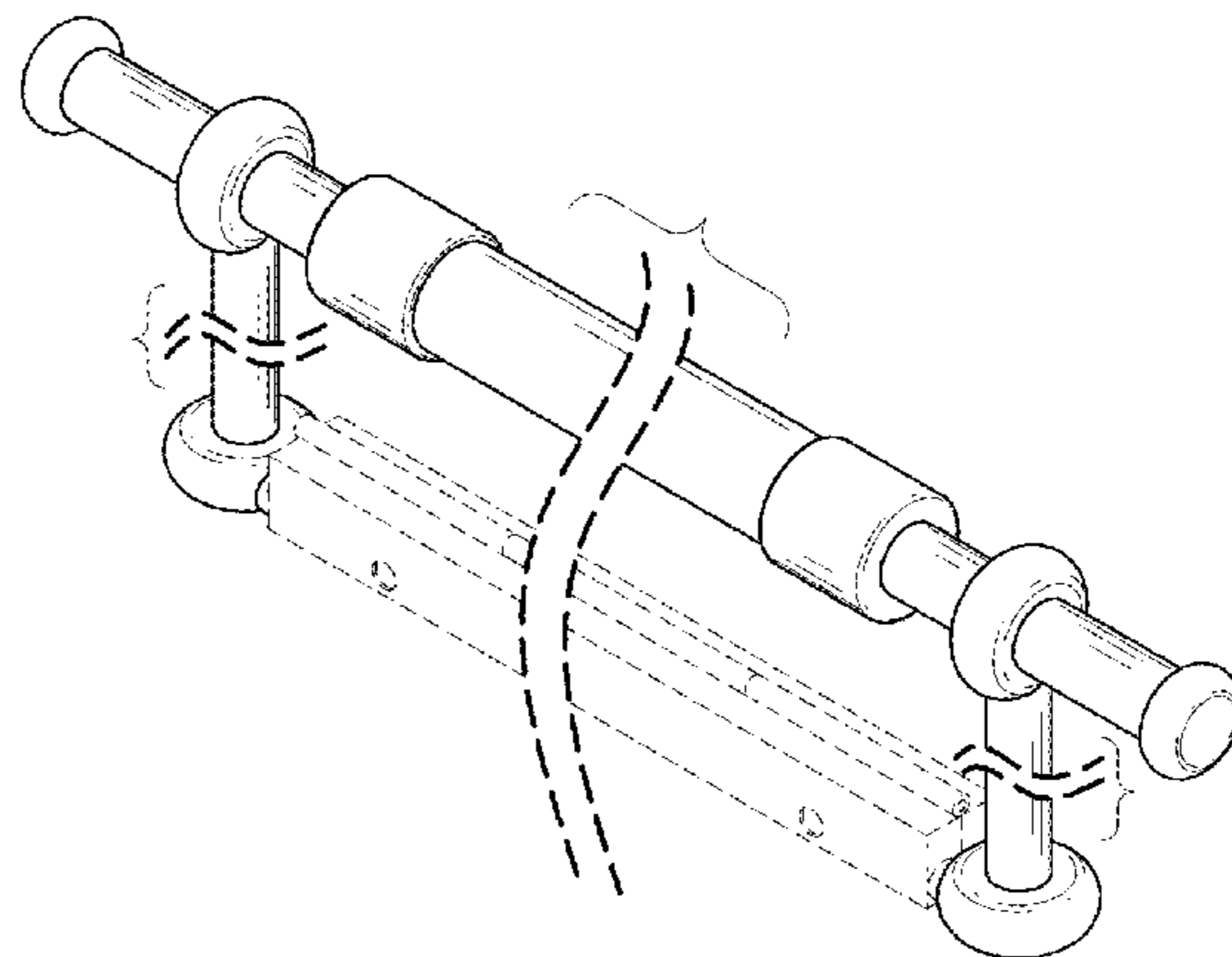
(Continued)

FOREIGN PATENT DOCUMENTS

CA	2639540	A1	12/2009
GB	1018871		3/1984

(Continued)

1 Claim, 10 Drawing Sheets



US D861,347 S

Page 2

(56)

References Cited

U.S. PATENT DOCUMENTS

D454,743 S * 3/2002 Ou-Young D6/549
D455,592 S * 4/2002 Ou-Young D6/549
D463,187 S * 9/2002 Gilbert D6/549
D479,931 S * 9/2003 Gilbert D6/549
D490,245 S 5/2004 Brouard
D498,629 S * 11/2004 Fuchs D6/549
D503,061 S * 3/2005 Fuchs D6/549
D519,737 S * 5/2006 Gonzalez D3/318
D578,732 S * 10/2008 Samuels D2/639
D578,733 S * 10/2008 Samuels D2/639
D607,644 S 1/2010 Wu
D648,132 S 11/2011 Wu
D648,133 S 11/2011 Wu
D651,803 S 1/2012 Wu
D658,371 S 5/2012 Cavalli
D691,808 S 10/2013 Wu
D692,670 S 11/2013 Wu
D699,570 S 2/2014 Rivera
D740,024 S 10/2015 Walters
9,185,965 B1 * 11/2015 Bhati A45F 5/00

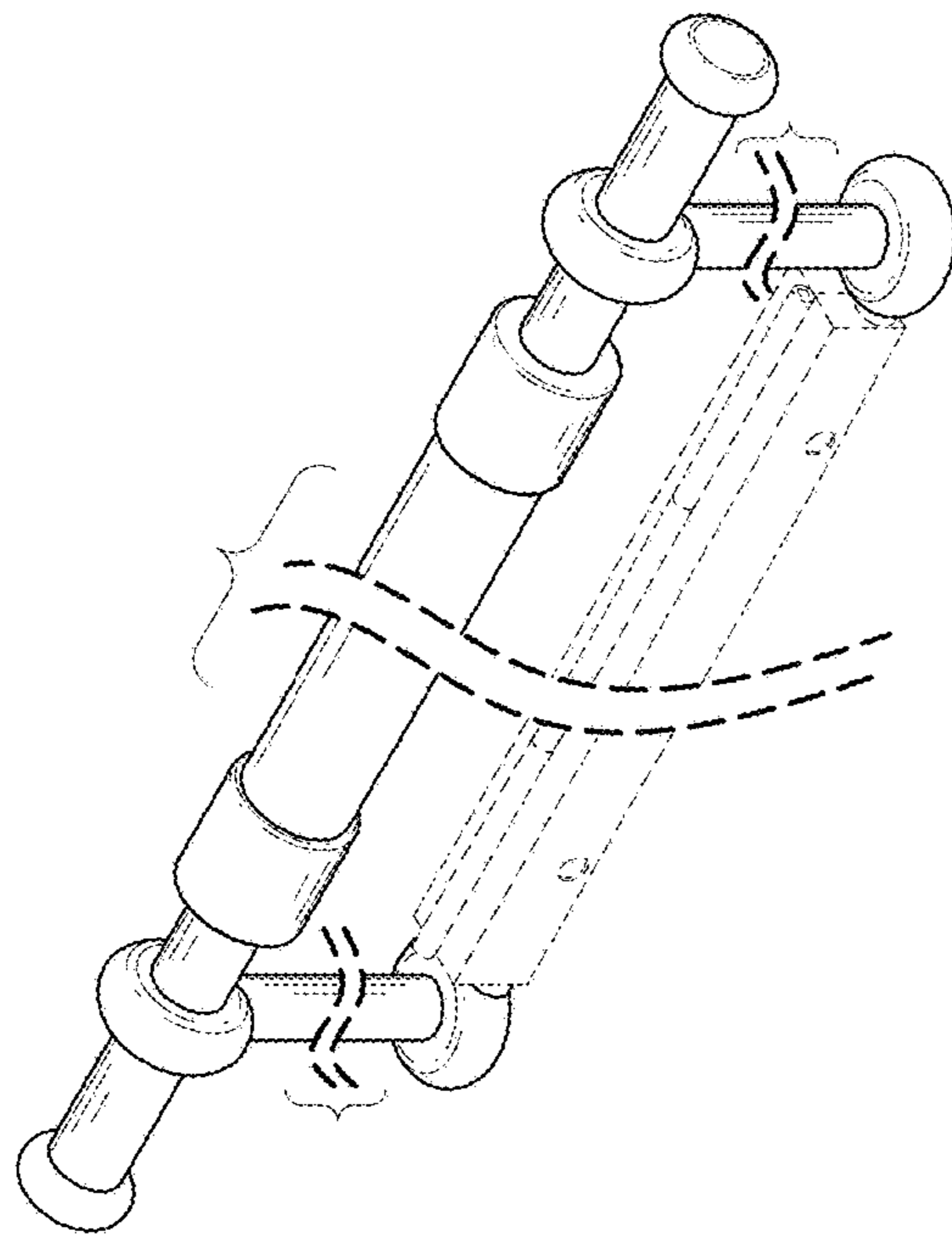
D832,674 S * 11/2018 Musatto D8/315
D842,073 S * 3/2019 Minale D8/315
2009/0022430 A1 1/2009 Hutchison

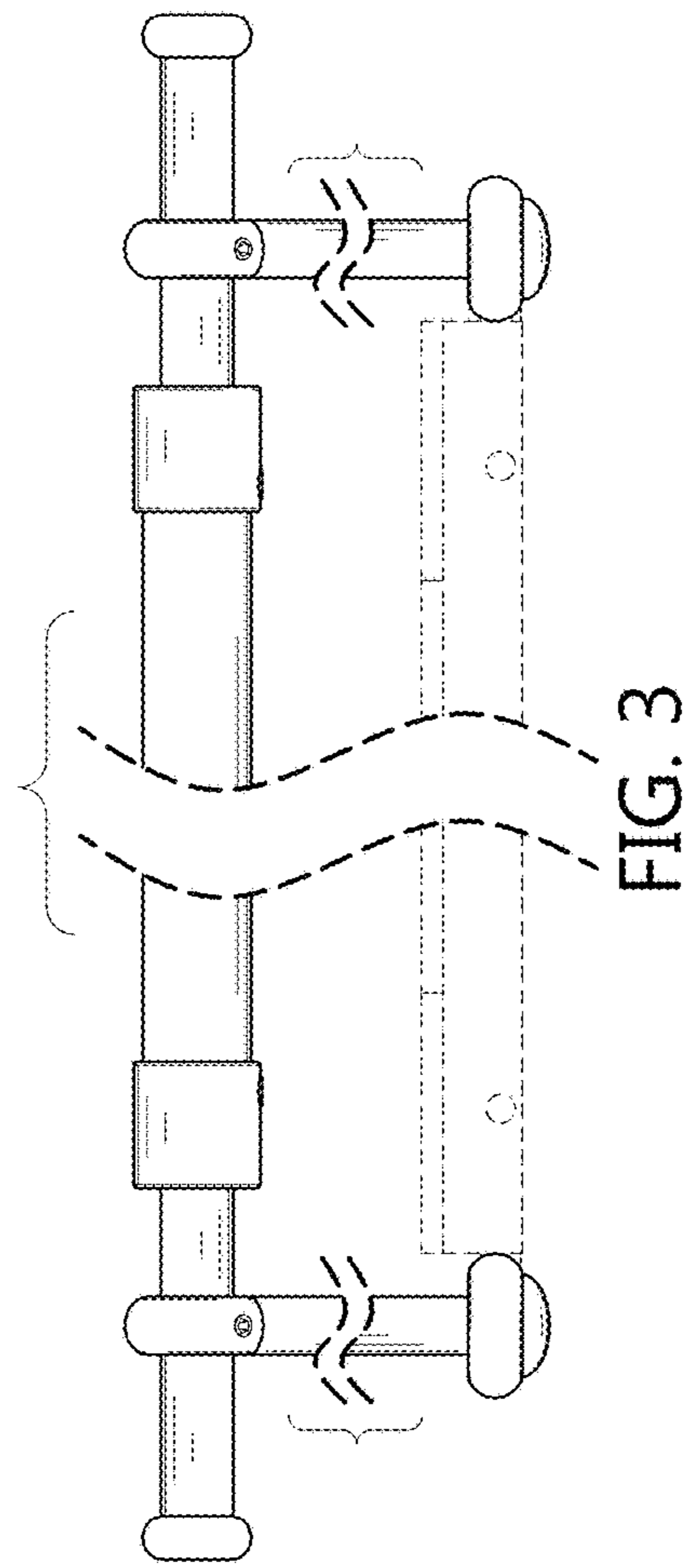
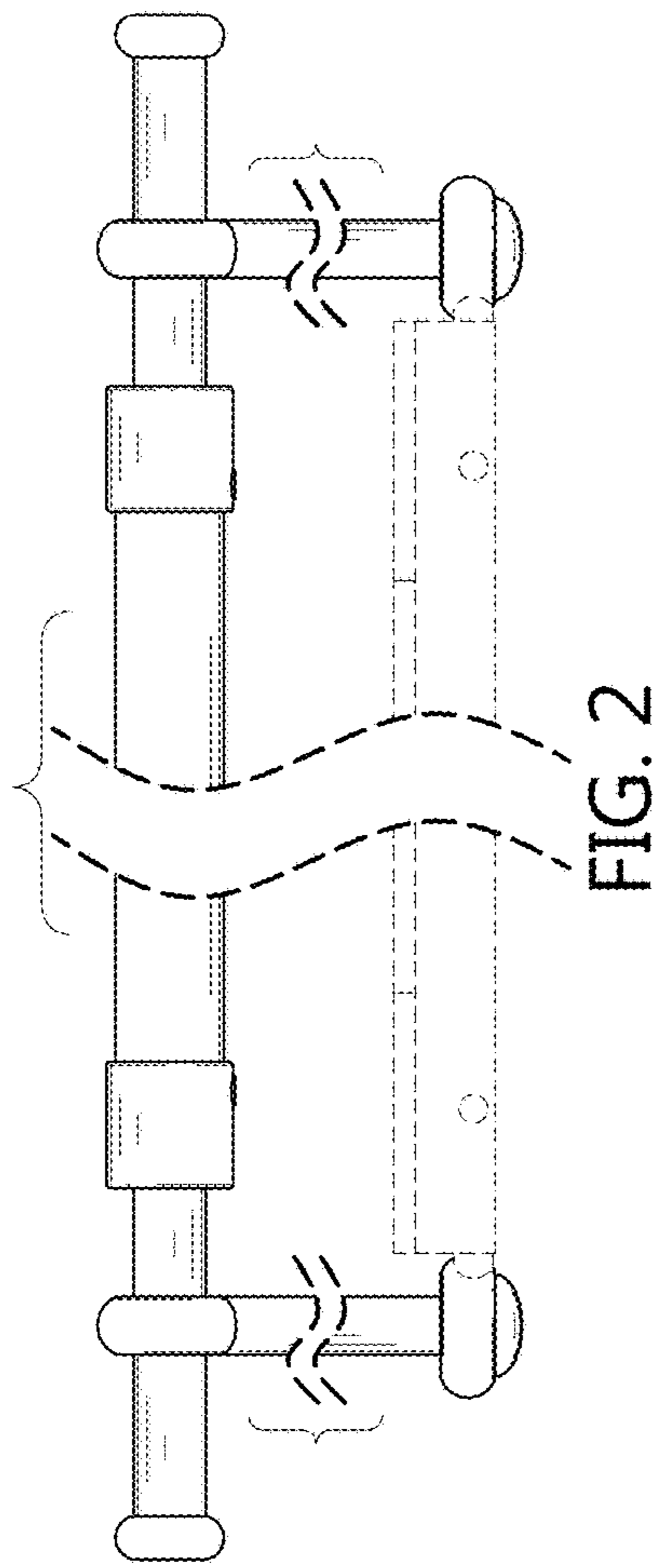
FOREIGN PATENT DOCUMENTS

GB 2064304 3/1997
IN 204713 5/2006
IN 205212 7/2006
IN 241289 12/2011
IN 246352 7/2012
IN 250841 1/2013
IN 251180 1/2013
IN 251181 1/2013
IN 251745 2/2013
IN 252083 3/2013
IN 260349 2/2014
IN 267206 11/2014
KR 3008295170000 7/2015
KR 3008259590000 11/2015
KR 3008902870000 9/2017

* cited by examiner

FIG. 1





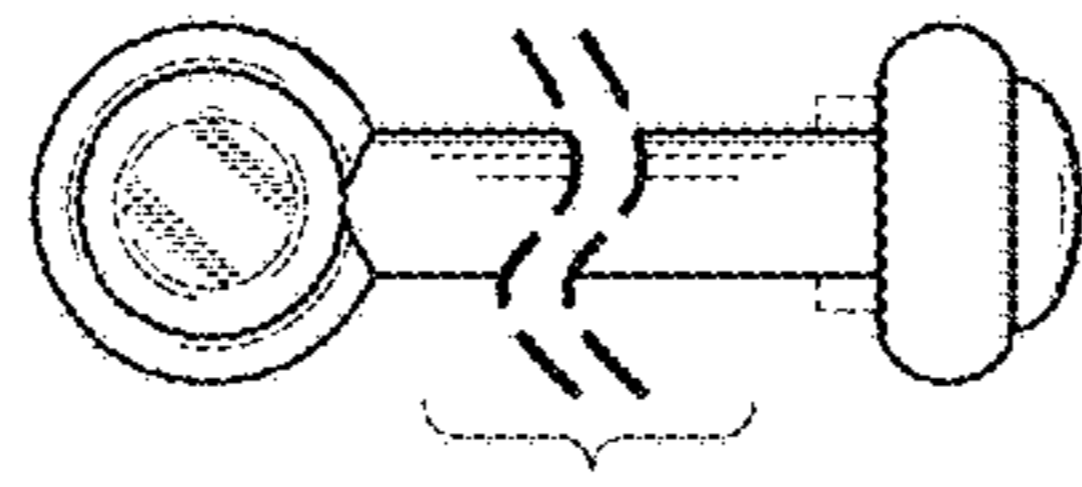


FIG. 5

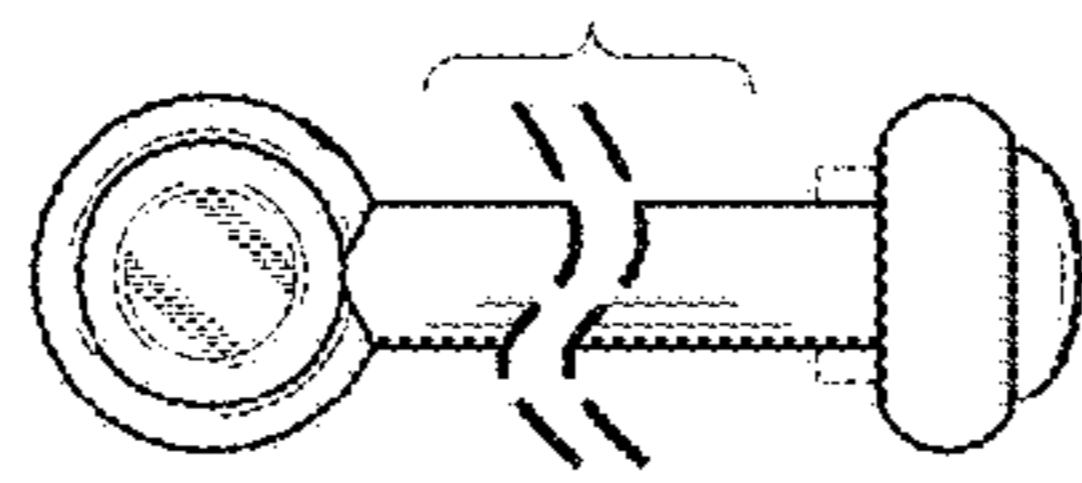


FIG. 4

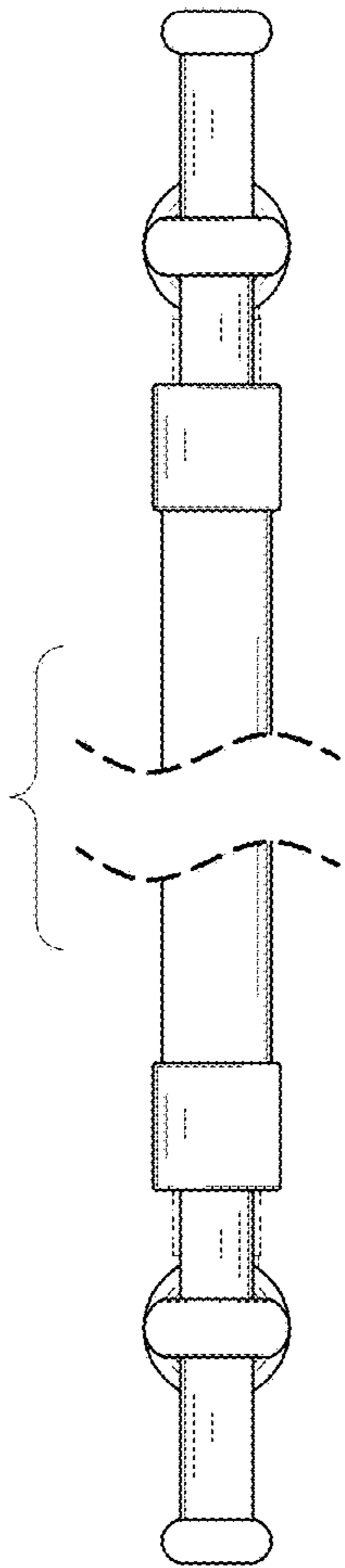


FIG. 6

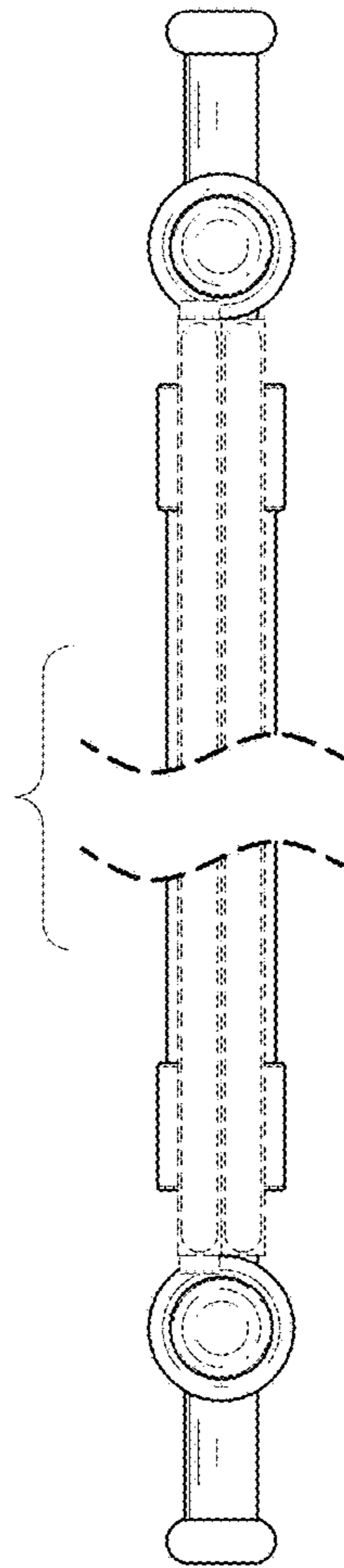
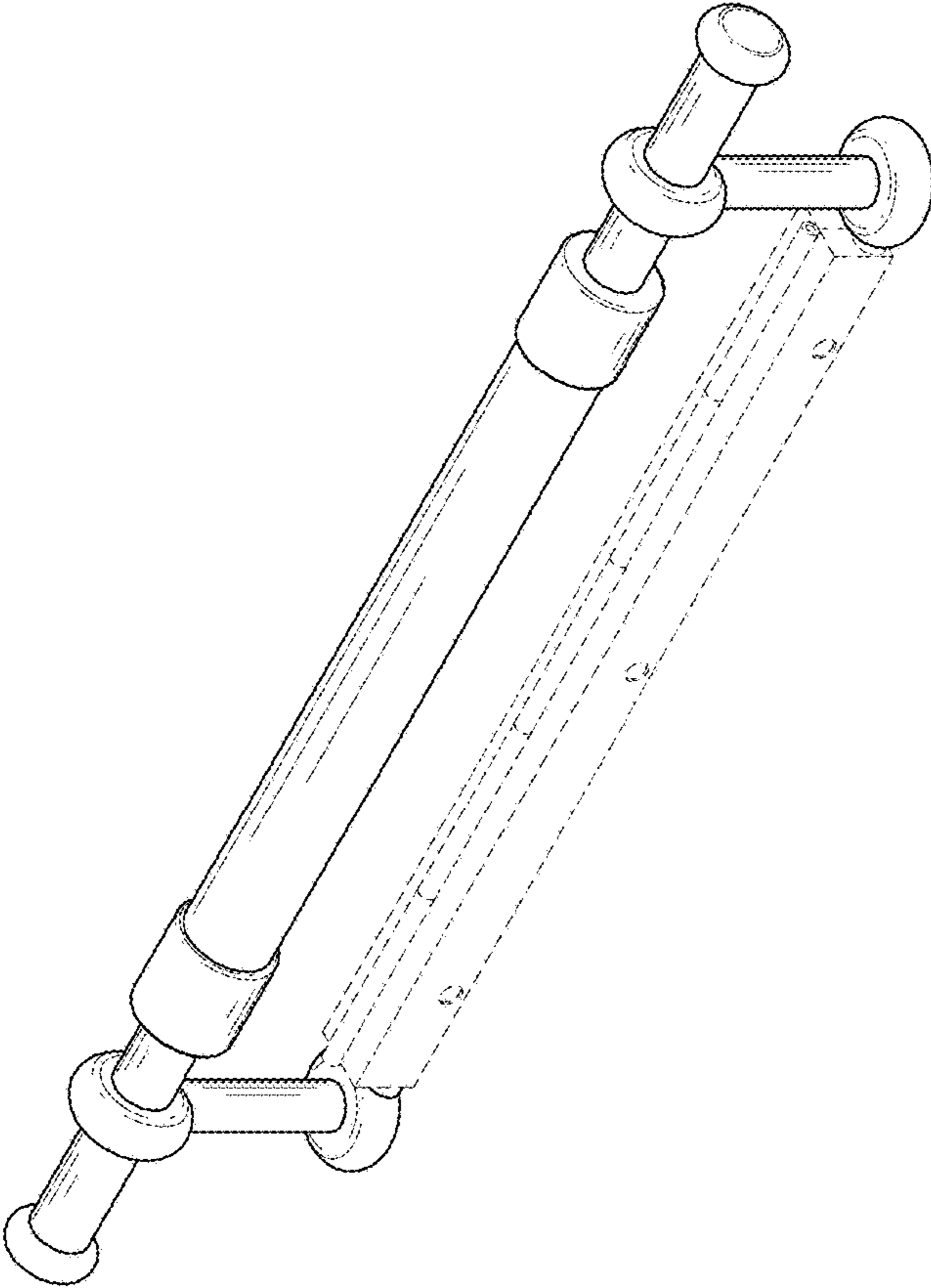


FIG. 7

FIG. 8



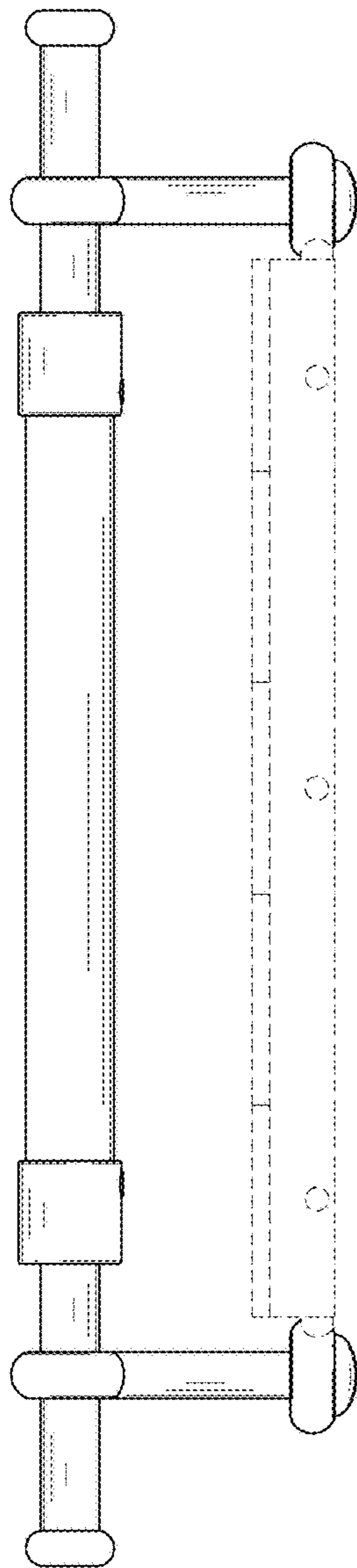


FIG. 9

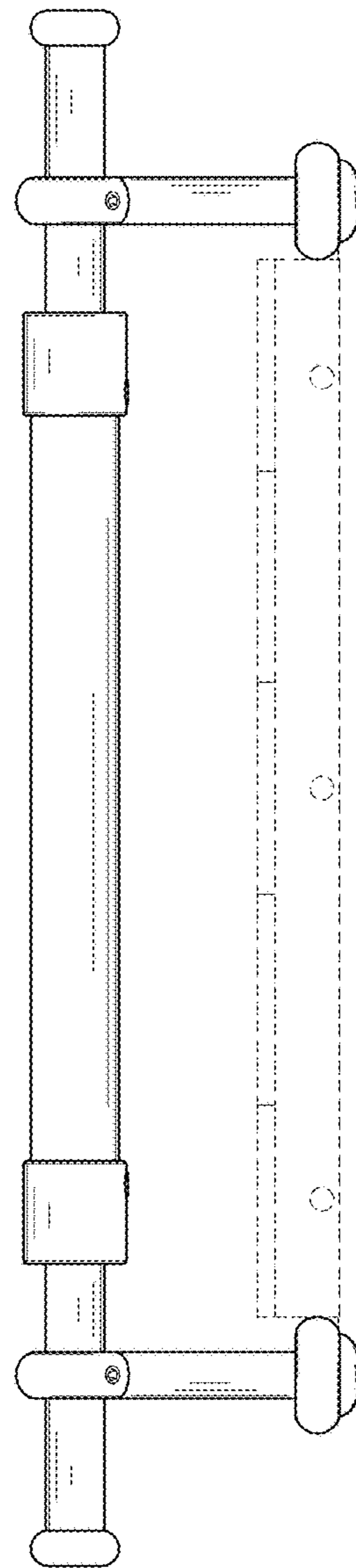


FIG. 10

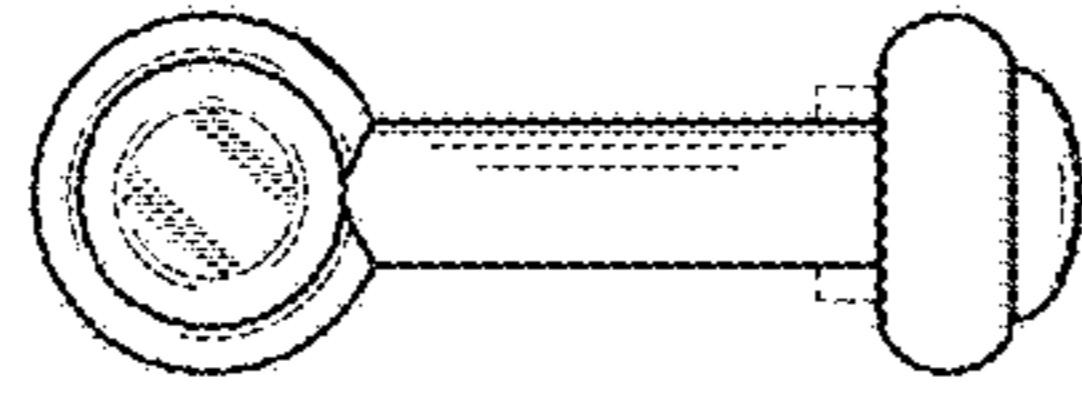


FIG. 12

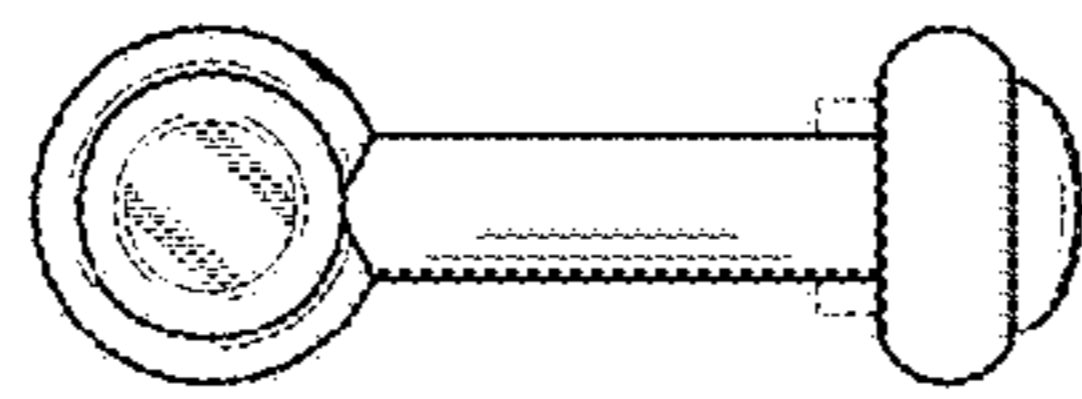


FIG. 11

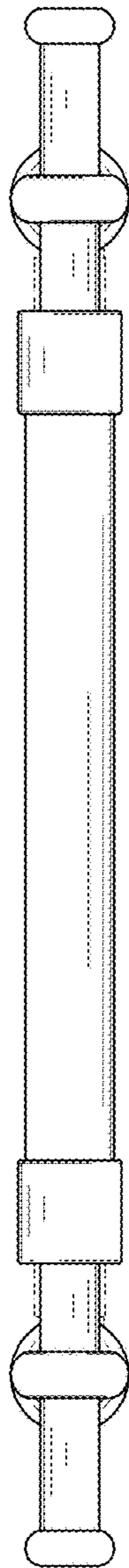


FIG. 13

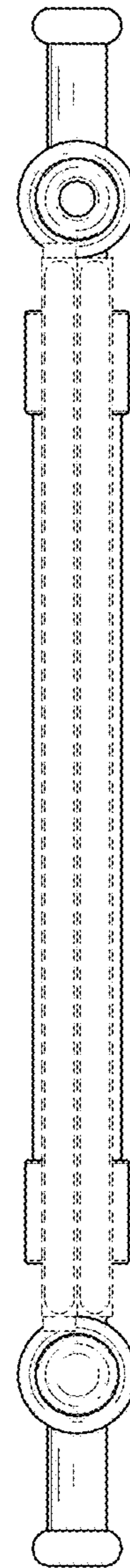


FIG. 14

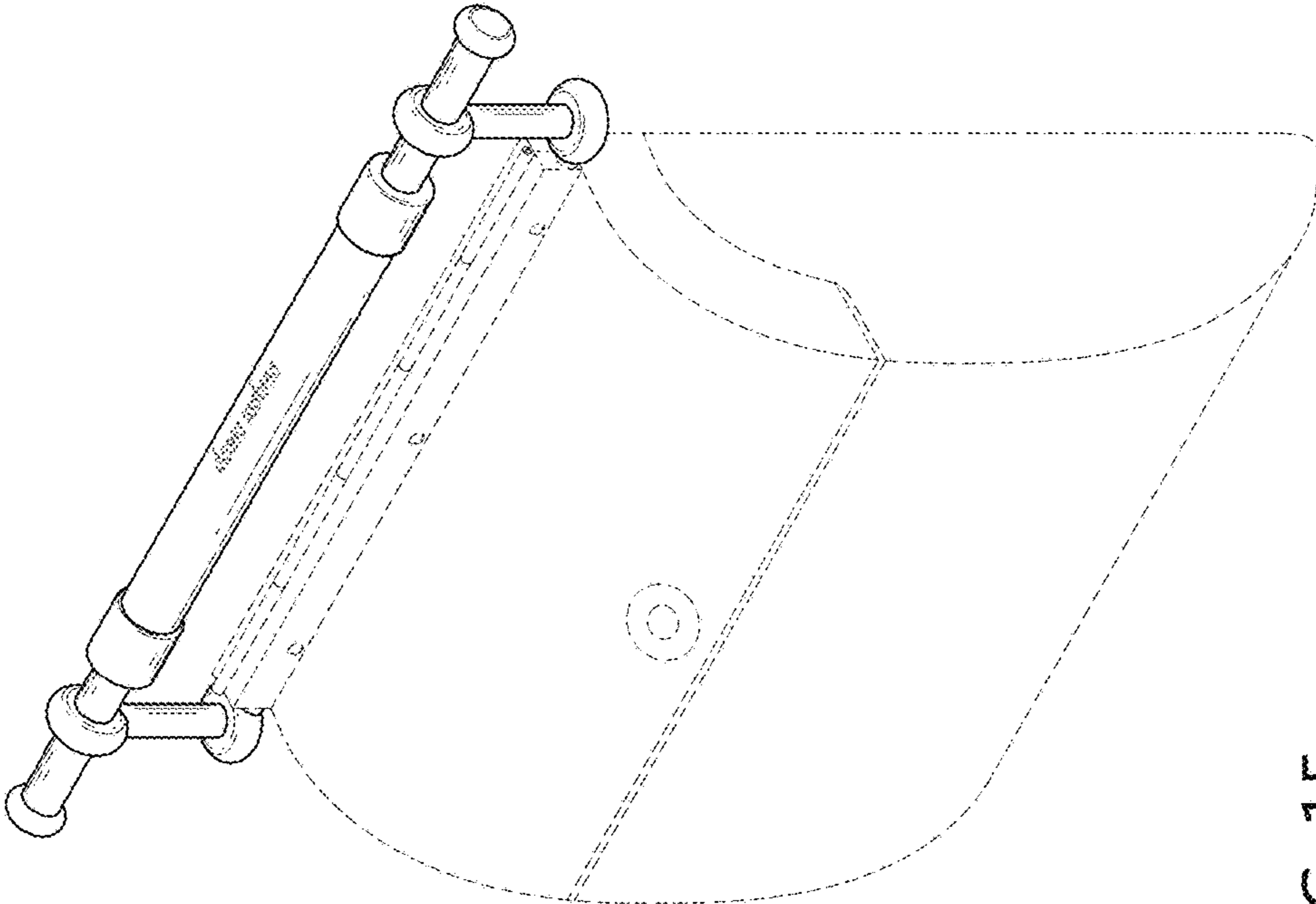


FIG. 15

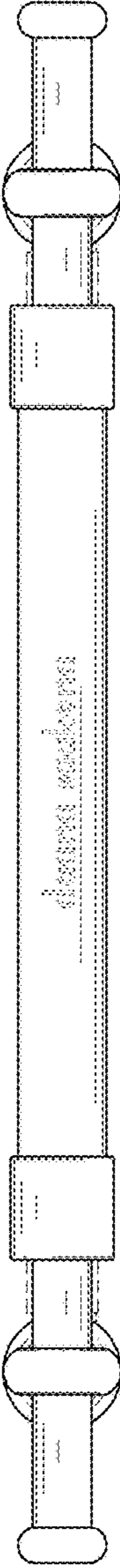


FIG. 16