



US00D861343S

(12) **United States Design Patent**  
**Denham**

(10) **Patent No.:** **US D861,343 S**

(45) **Date of Patent:** **\*\* Oct. 1, 2019**

(54) **KNIFE BOX**

(71) Applicant: **James Spencer Denham**, Singapore  
(SG)

(72) Inventor: **James Spencer Denham**, Singapore  
(SG)

(\*\*) Term: **15 Years**

(21) Appl. No.: **29/680,048**

(22) Filed: **Feb. 13, 2019**

(51) **LOC (12) Cl.** ..... **03-01**

(52) **U.S. Cl.**  
USPC ..... **D3/294**

(58) **Field of Classification Search**  
USPC ..... D3/273, 274, 275, 276, 281, 284, 292,  
D3/294, 295, 296, 297, 299, 901, 903,  
D3/905, 205, 203.1, 279, 282, 242, 301,  
D3/302; D9/420-423, 430, 432-433  
CPC .. A45C 5/00; A45C 5/04; A45C 11/00; A45C  
11/16

See application file for complete search history.

(56) **References Cited**

**U.S. PATENT DOCUMENTS**

D21,762 S *	8/1892	Estes	.....	D3/294
D64,709 S *	5/1924	Baum	.....	D3/294
1,653,500 A *	12/1927	Flier	.....	A47F 3/145
				206/301
1,735,061 A *	11/1929	Shields	.....	A47F 7/03
				206/301
1,835,884 A *	12/1931	Lindsey	.....	B44D 3/04
				206/1.8
2,515,703 A *	7/1950	Dumas	.....	B44D 3/04
				206/1.7
D163,210 S *	5/1951	Long	.....	D3/204
D178,627 S *	9/1956	Baratelli	.....	D3/203.1
D200,446 S *	2/1965	Shiffman	.....	D3/294

D227,200 S *	6/1973	Vareo	.....	D3/294
D369,295 S *	4/1996	Kobari	.....	D9/423
D395,755 S *	7/1998	Hulin	.....	D28/73
D444,947 S *	7/2001	Nelson	.....	D3/294
D448,931 S *	10/2001	Gutierrez	.....	D3/274
D455,264 S *	4/2002	Lee	.....	D3/273
D459,223 S *	6/2002	Lai		
D474,020 S *	5/2003	Wang	.....	D3/274
D502,868 S *	3/2005	Cattaruzza	.....	D3/294
D509,132 S *	9/2005	Au	.....	D3/294
D521,733 S *	5/2006	Kim	.....	D3/294
D529,288 S *	10/2006	Ham	.....	D3/294
D539,539 S *	4/2007	Braden	.....	D14/203.7
D606,308 S *	12/2009	Cheng-Wei	.....	D3/294
D664,767 S *	8/2012	Shewmaker	.....	D3/294
D715,051 S *	10/2014	Tung	.....	D3/294

(Continued)

*Primary Examiner* — Holly E Thurman

(74) *Attorney, Agent, or Firm* — KA Filing LLC; Wayne V. Harper

(57) **CLAIM**

I claim the ornamental design for a knife box, as shown and described.

**DESCRIPTION**

FIG. 1 is a perspective view of a knife box showing my new design;

FIG. 2 is other perspective view of the knife box as shown in FIG. 1;

FIG. 3 is a front view of the knife box as shown in FIG. 1;

FIG. 4 is a back view of the knife box as shown in FIG. 1;

FIG. 5 is a top view of the knife box as shown in FIG. 1;

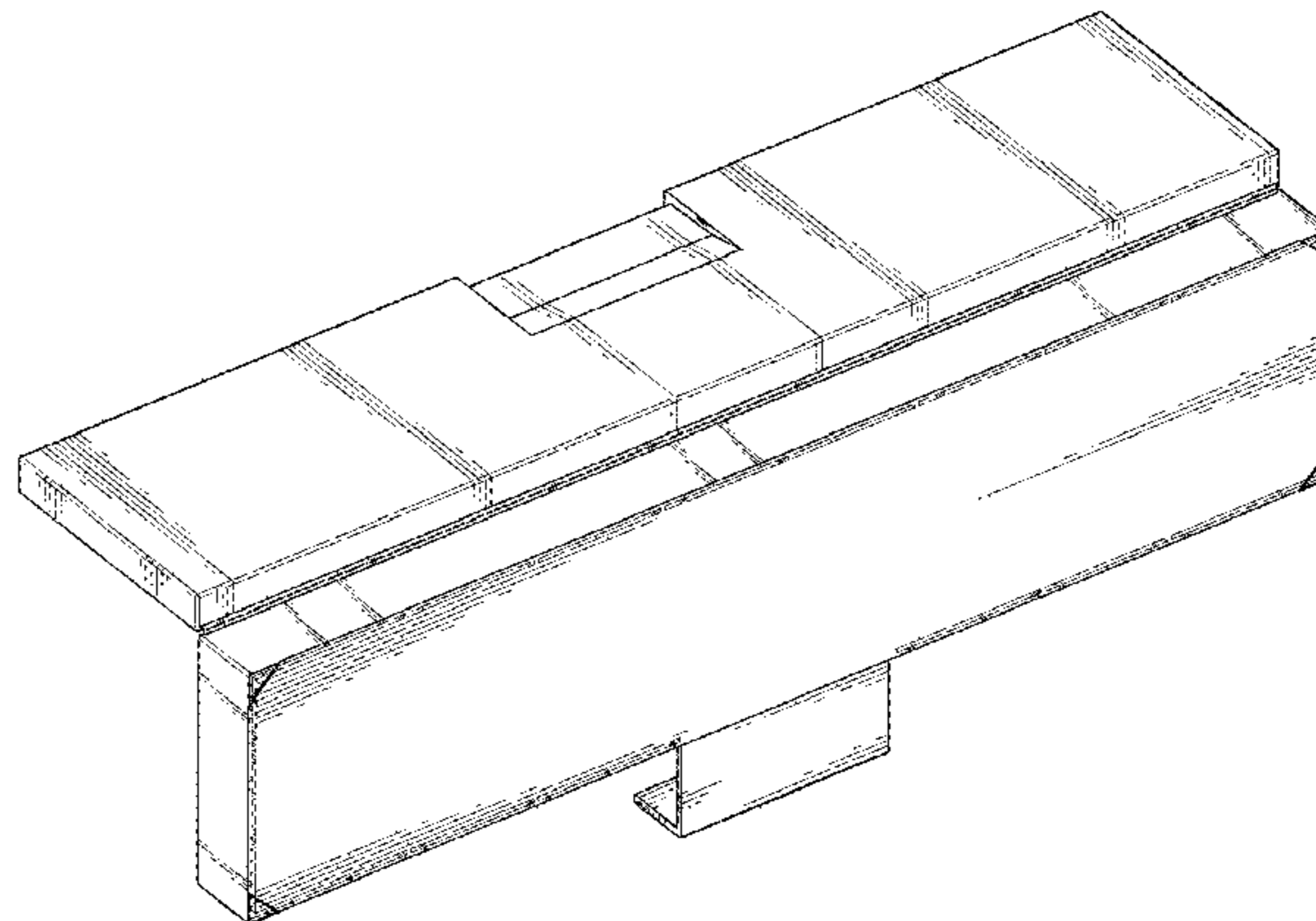
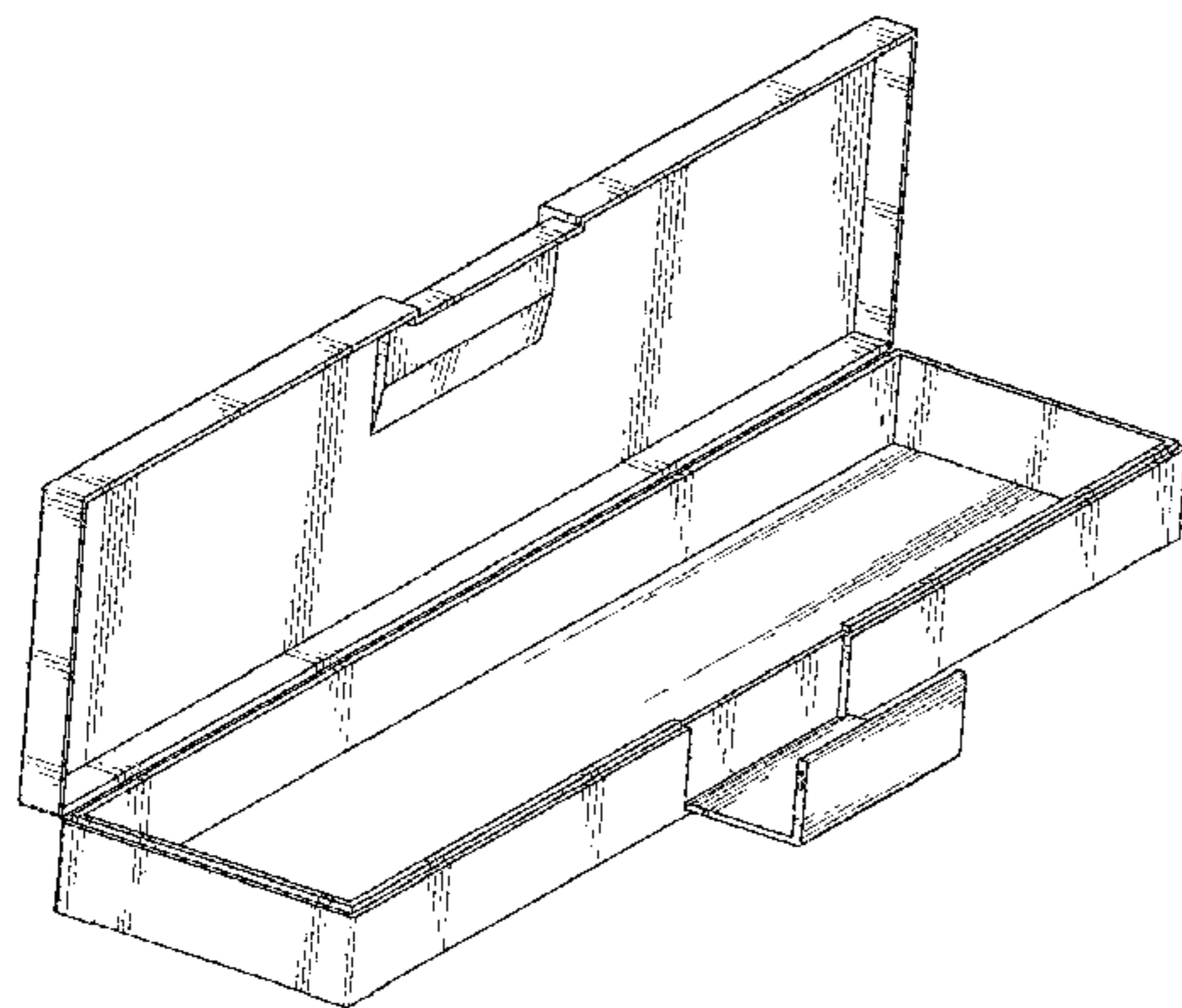
FIG. 6 is a bottom view of the knife box as shown in FIG. 1;

FIG. 7 is a left-side view of the knife box as shown in FIG. 1;

FIG. 8 is a right-side view of the knife box as shown in FIG. 1.

1.

**1 Claim, 7 Drawing Sheets**



(56)

**References Cited**

U.S. PATENT DOCUMENTS

D749,845 S *	2/2016	Tonelli .....	D3/276
D781,584 S *	3/2017	Kinsky .....	D3/294
D785,943 S *	5/2017	Dutil .....	D3/205

\* cited by examiner

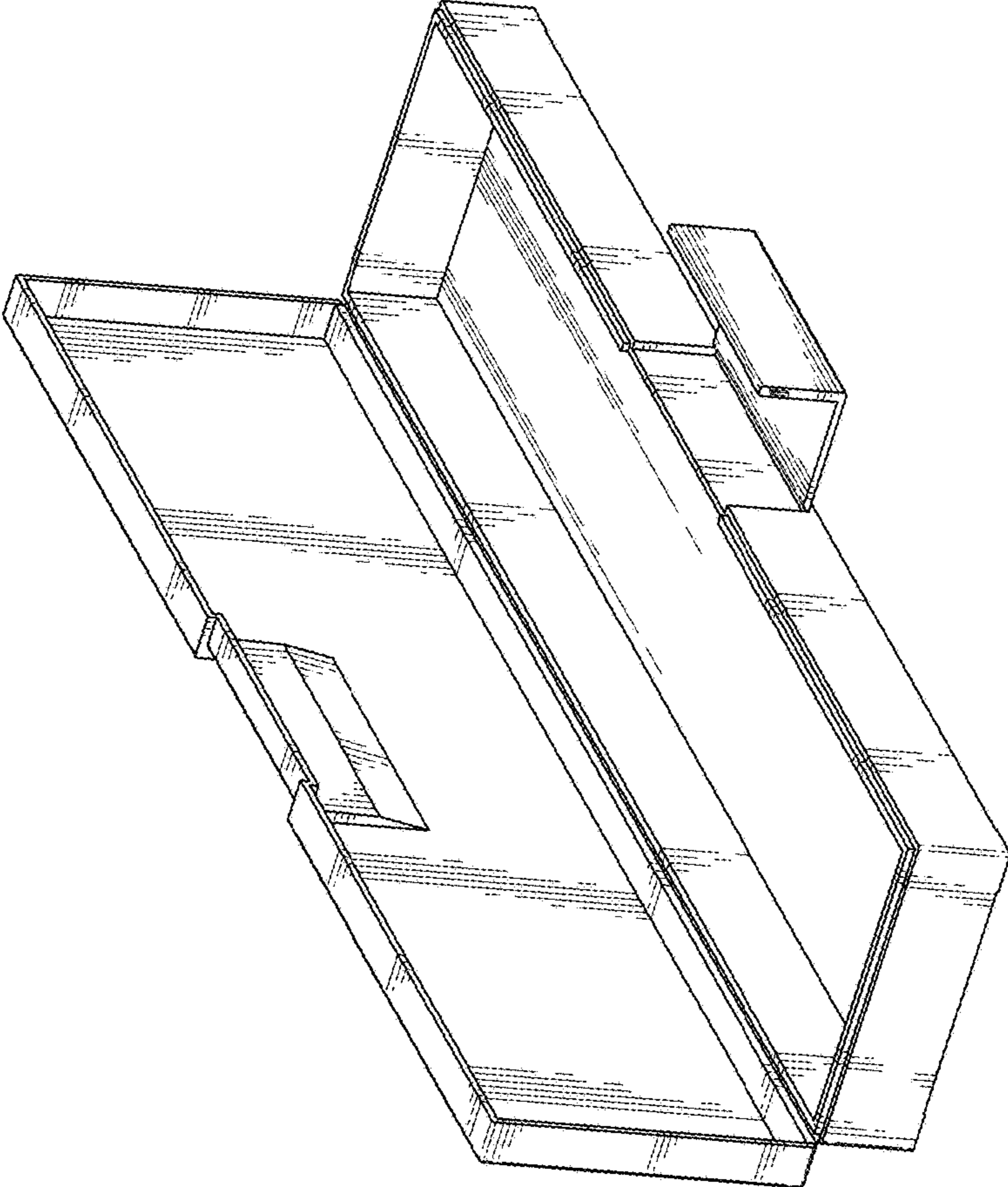


FIG. 1

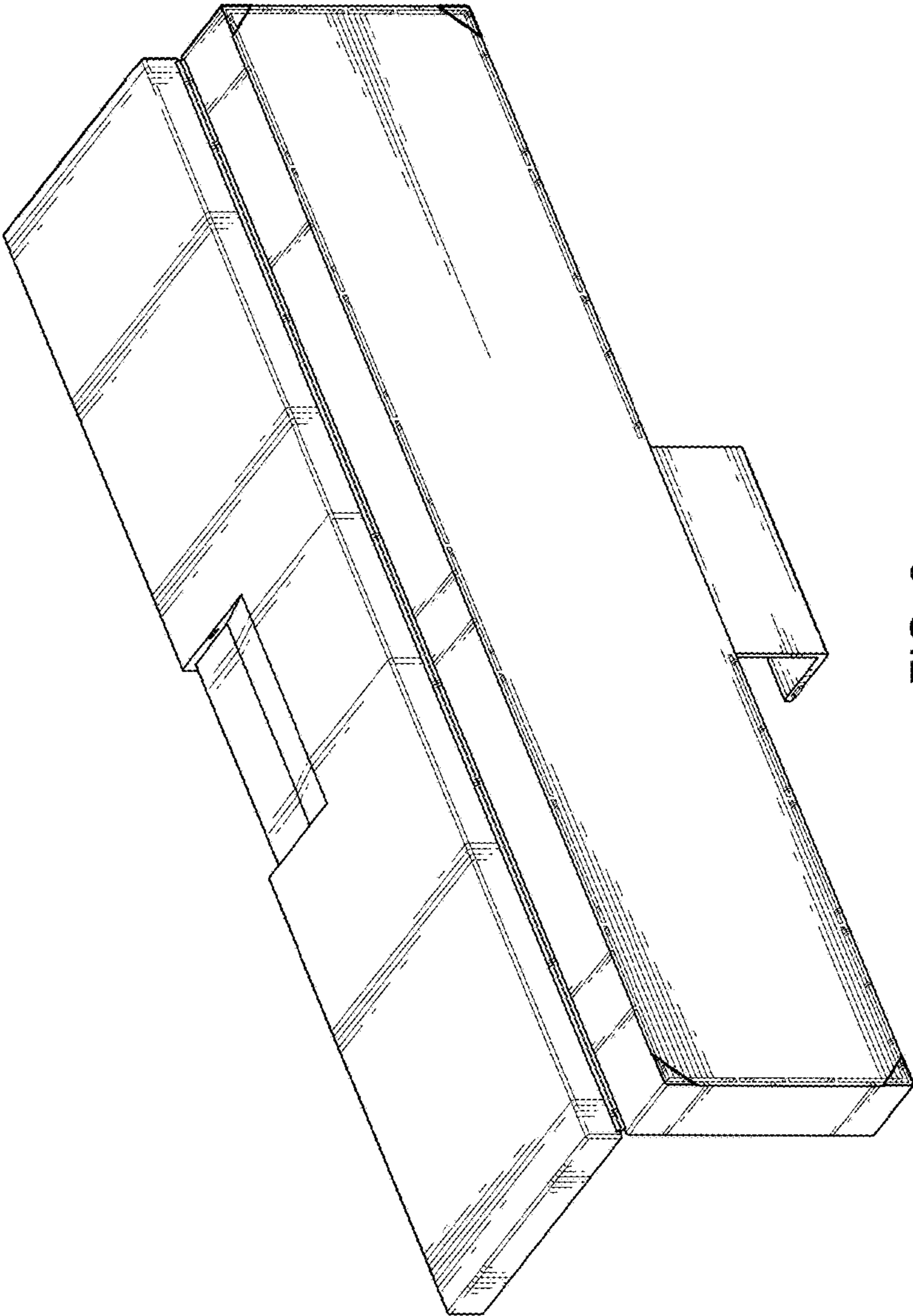


FIG. 2

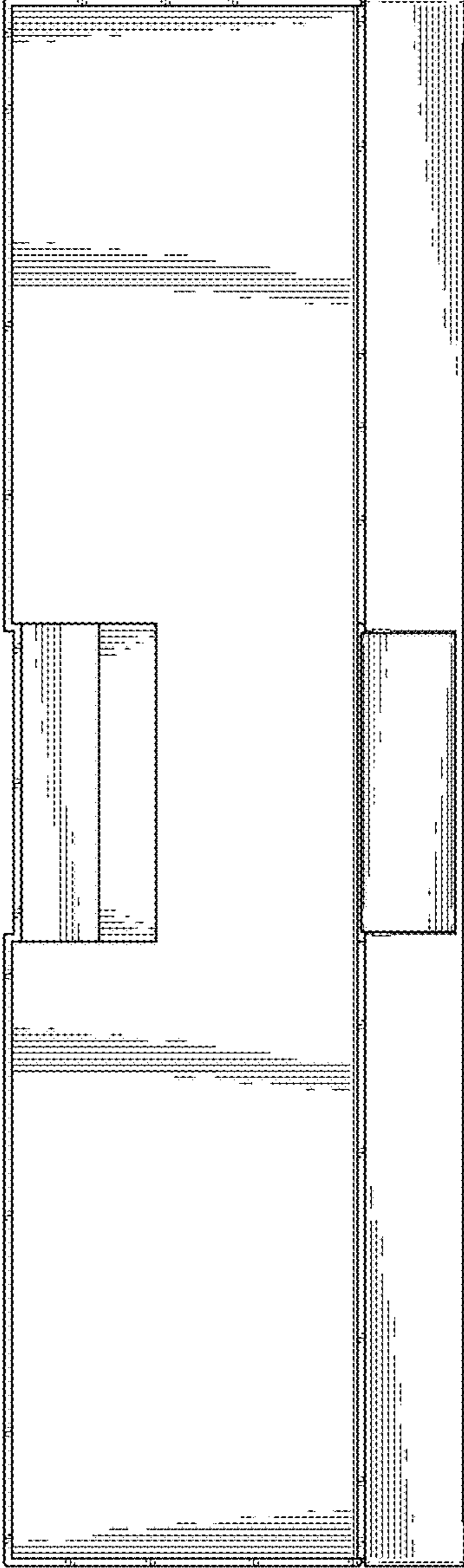


FIG. 3

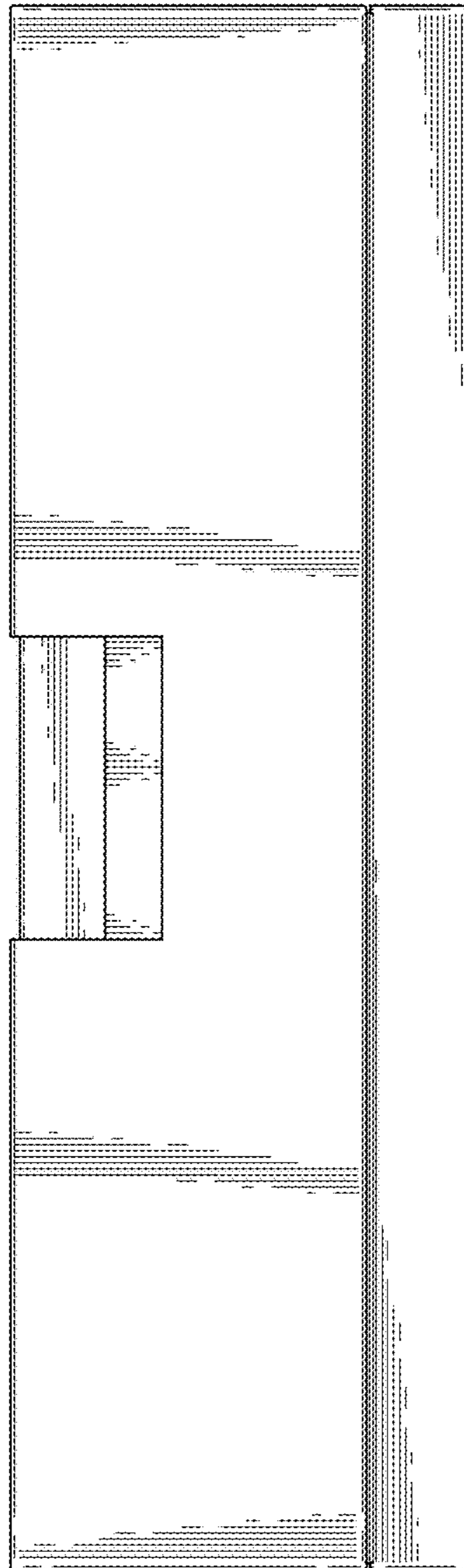


FIG. 4

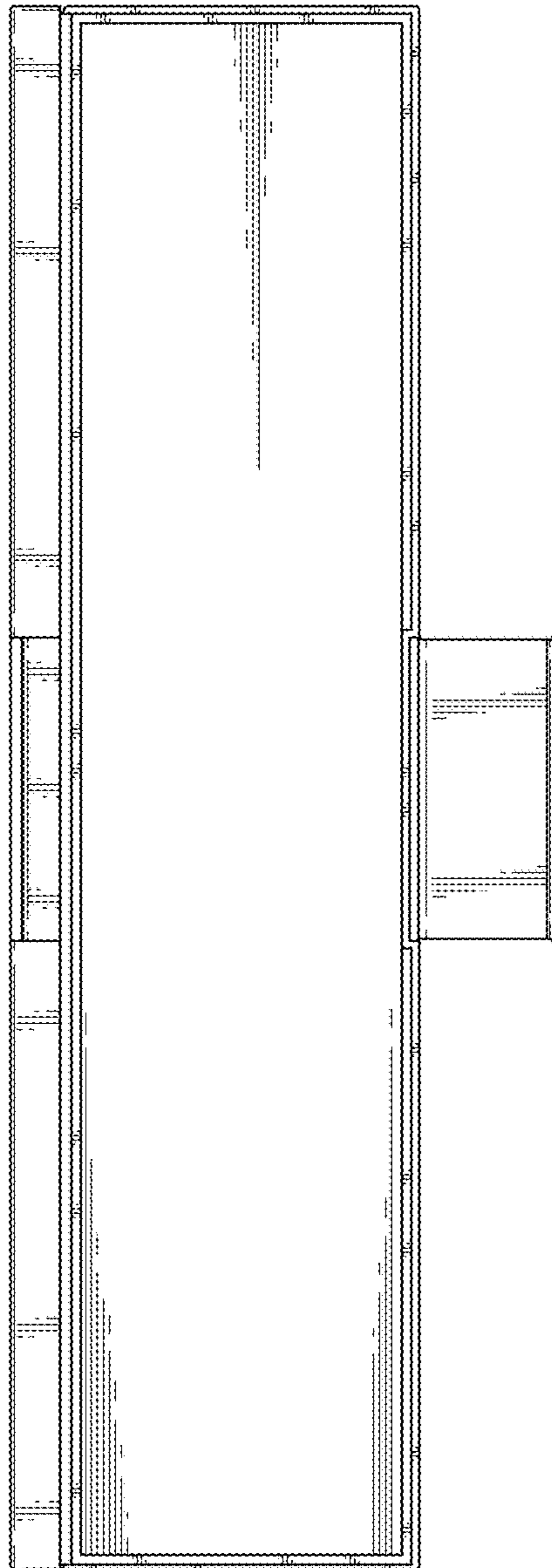


FIG. 5

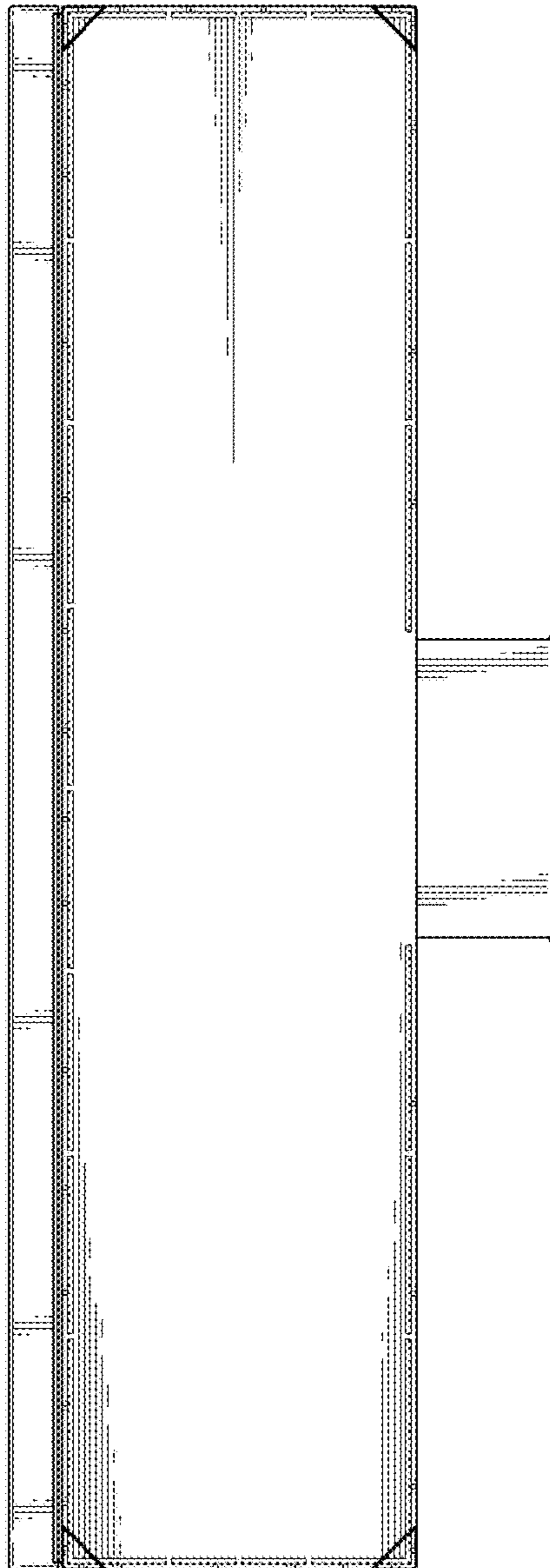


FIG. 6



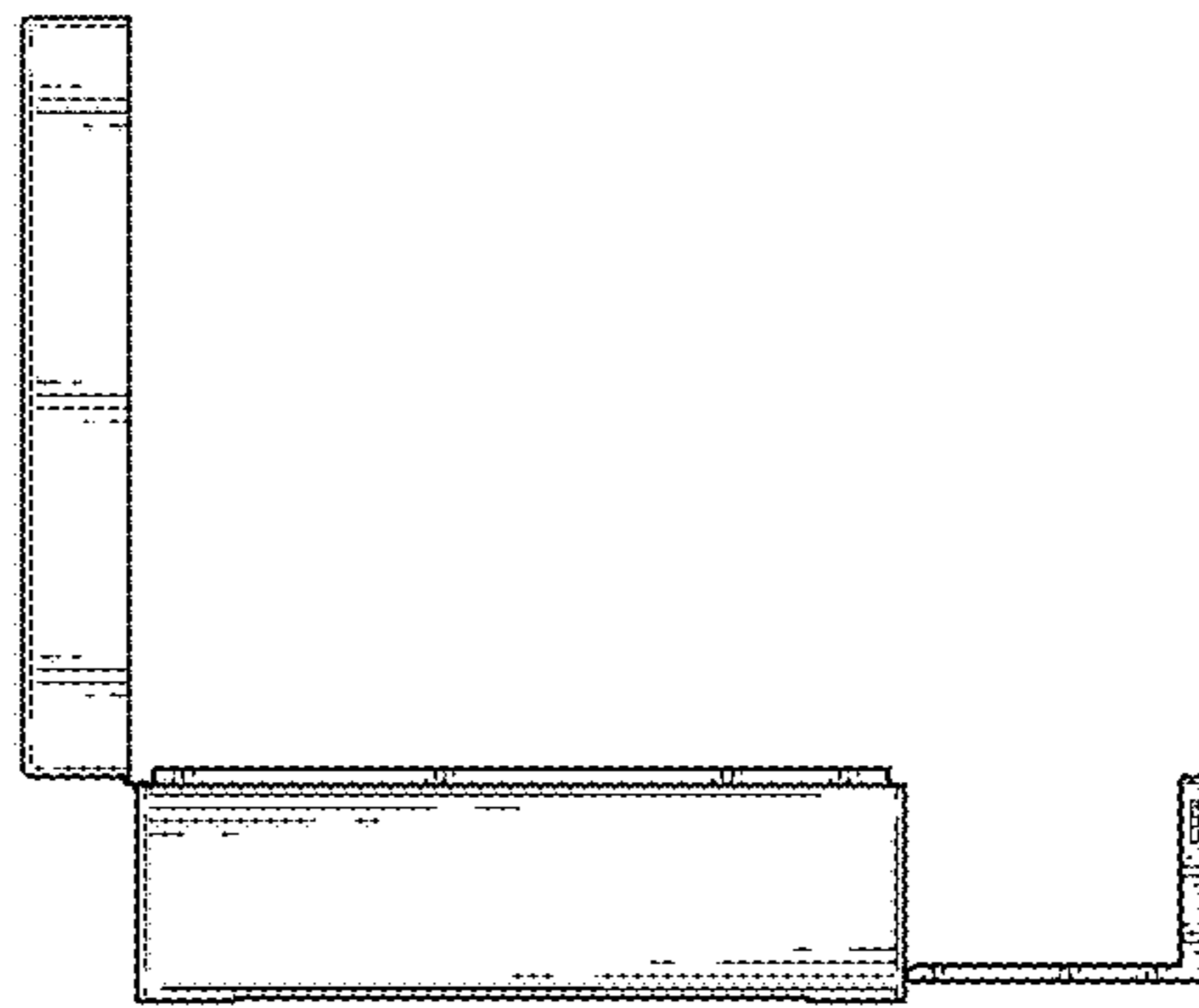


FIG. 7

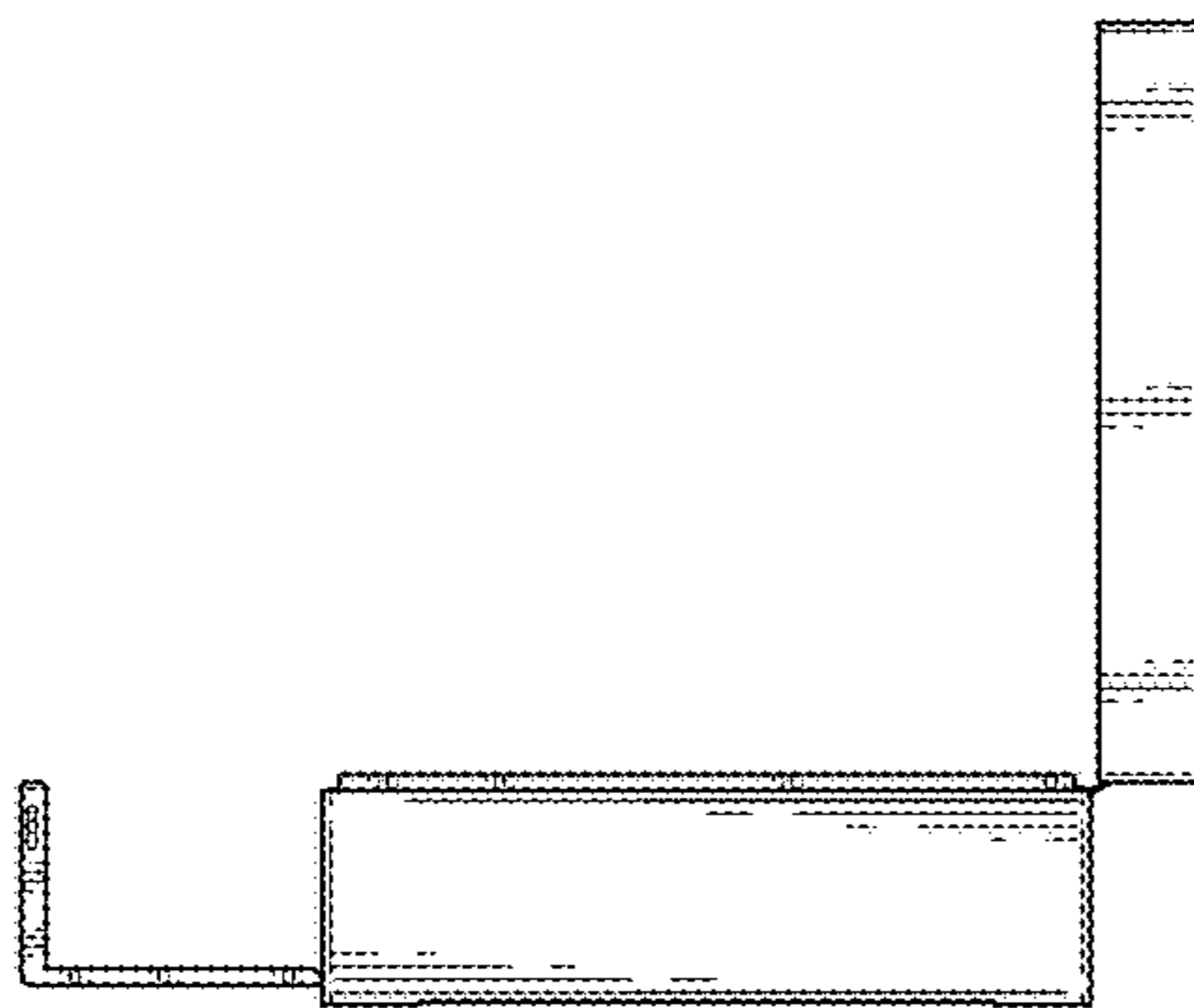


FIG. 8