



US00D861342S

(12) **United States Design Patent** (10) **Patent No.:** **US D861,342 S**
DeCarlo et al. (45) **Date of Patent:** **** Oct. 1, 2019**

(54) **CONTAINER WITH DIGITAL LOCK**

(71) Applicant: **IdeaStream Consumer Products, LLC**, Cleveland, OH (US)

(72) Inventors: **Anthony DeCarlo**, Las Vegas, NV (US); **Zhenghong Li**, Shenzhen (CN)

(73) Assignee: **IdeaStream Consumer Products, LLC**, Cleveland, OH (US)

(**) Term: **15 Years**

(21) Appl. No.: **29/631,418**

(22) Filed: **Dec. 29, 2017**

(51) **LOC (12) Cl.** **03-01**

(52) **U.S. Cl.**
USPC **D3/294**

(58) **Field of Classification Search**
USPC D3/201, 273, 274, 276, 281, 283, 294, D3/900, 901, 903, 905
CPC A47C 7/62; A47C 1/14
See application file for complete search history.

(56) **References Cited**

U.S. PATENT DOCUMENTS

D415,614 S	*	10/1999	Akaike	D3/272
D490,206 S	*	5/2004	Perella	D99/28
D493,936 S	*	8/2004	Perella	D99/28
D500,922 S	*	1/2005	Perella	D3/273
D503,024 S	*	3/2005	Perella	D99/28

D504,990 S	*	5/2005	Perella	D99/28
D509,357 S	*	9/2005	Perella	D3/267
D511,035 S	*	10/2005	Perella	D99/28
D522,746 S	*	6/2006	Perella	D3/276
D574,655 S	*	8/2008	Perella	D3/294
D596,399 S	*	7/2009	Decarlo	D3/291
D619,809 S	*	7/2010	Huang	D3/276
D671,743 S	*	12/2012	Cenzano	D3/272
D677,899 S	*	3/2013	Cenzano	D3/321
D736,519 S	*	8/2015	Chui	D3/272

* cited by examiner

Primary Examiner — Holly E Thurman

(74) *Attorney, Agent, or Firm* — Fay Sharpe LLP

(57) **CLAIM**

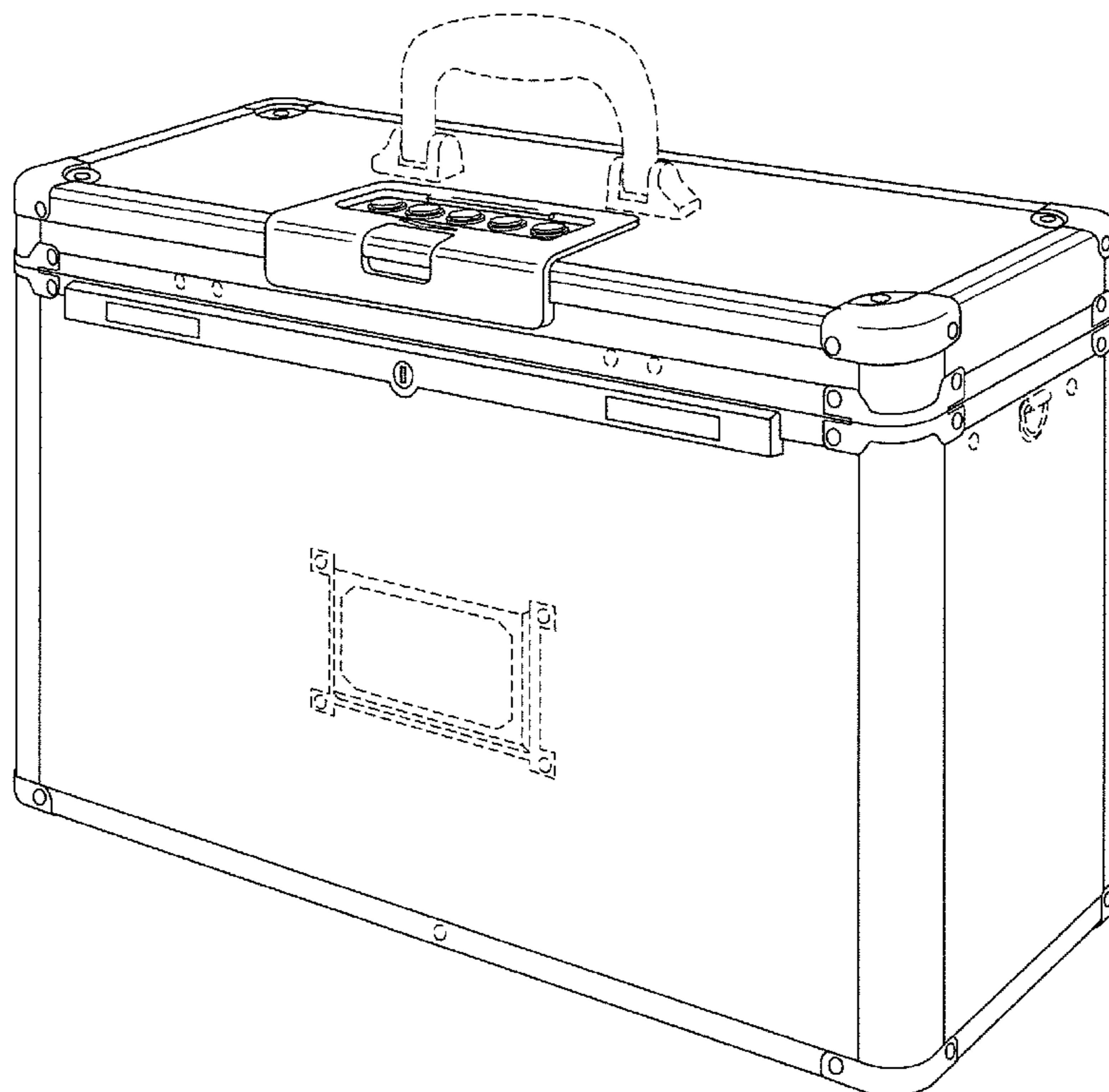
The ornamental design for a container with digital lock, as shown and described.

DESCRIPTION

FIG. 1 is a front elevation view of a container with digital lock of the present application; FIG. 2 is a front plan view of the container of FIG. 1; FIG. 3 is a top plan view of the container of FIG. 1; FIG. 4 is a back plan view of the container of FIG. 1; FIG. 5 is a bottom plan view of the container of FIG. 1; FIG. 6 is a side plan view of the container of FIG. 1; and, FIG. 7 is an opposite side plan view of the container of FIG. 1.

The dashed lines depict portions of the container with digital lock that form no part of the claimed design.

1 Claim, 4 Drawing Sheets



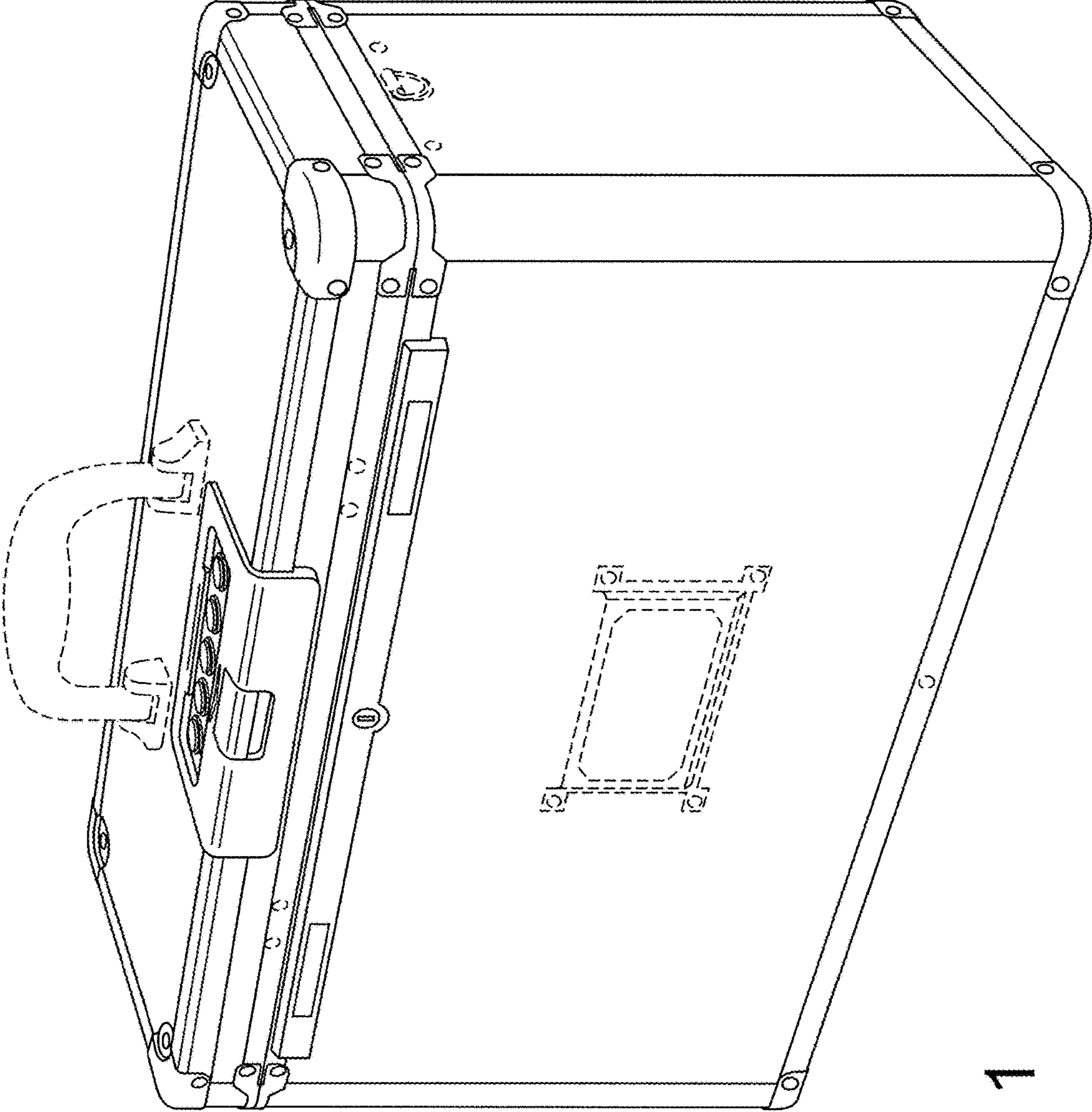


FIG. 1

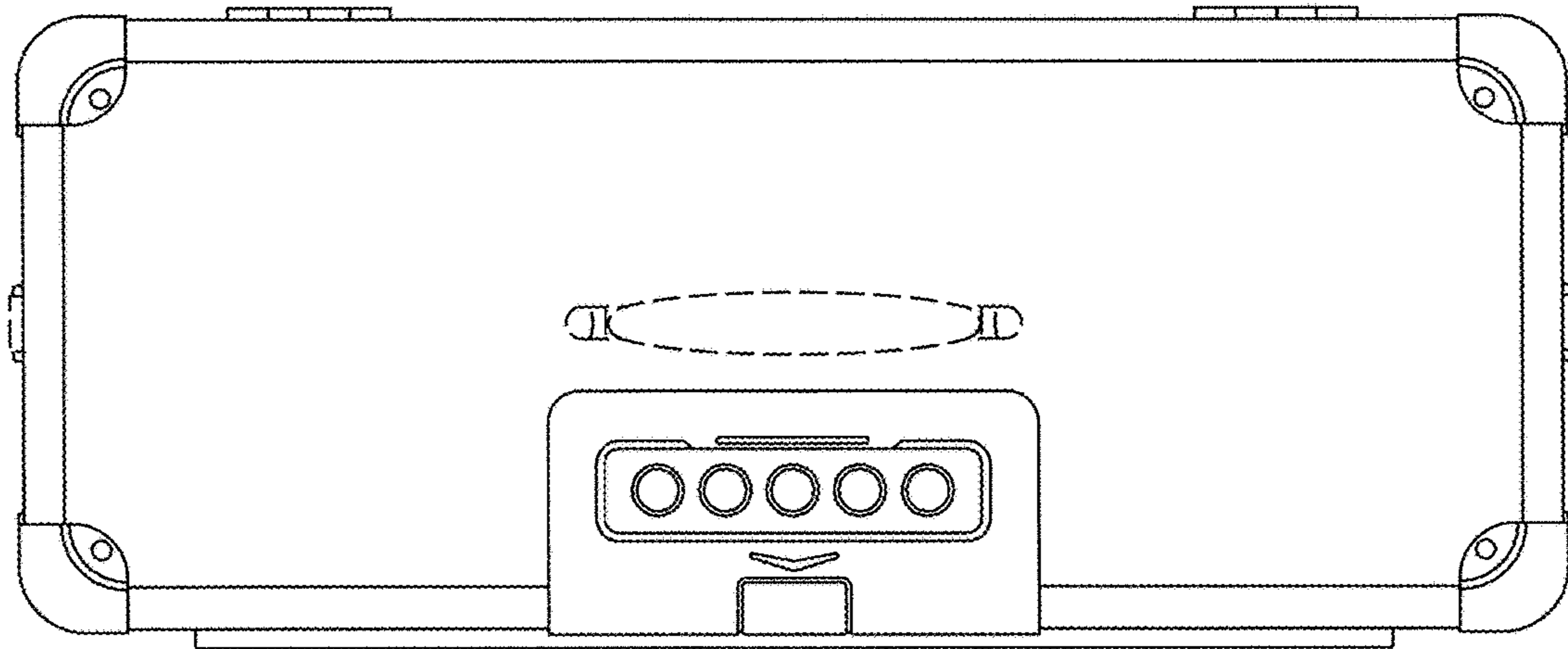


FIG. 3

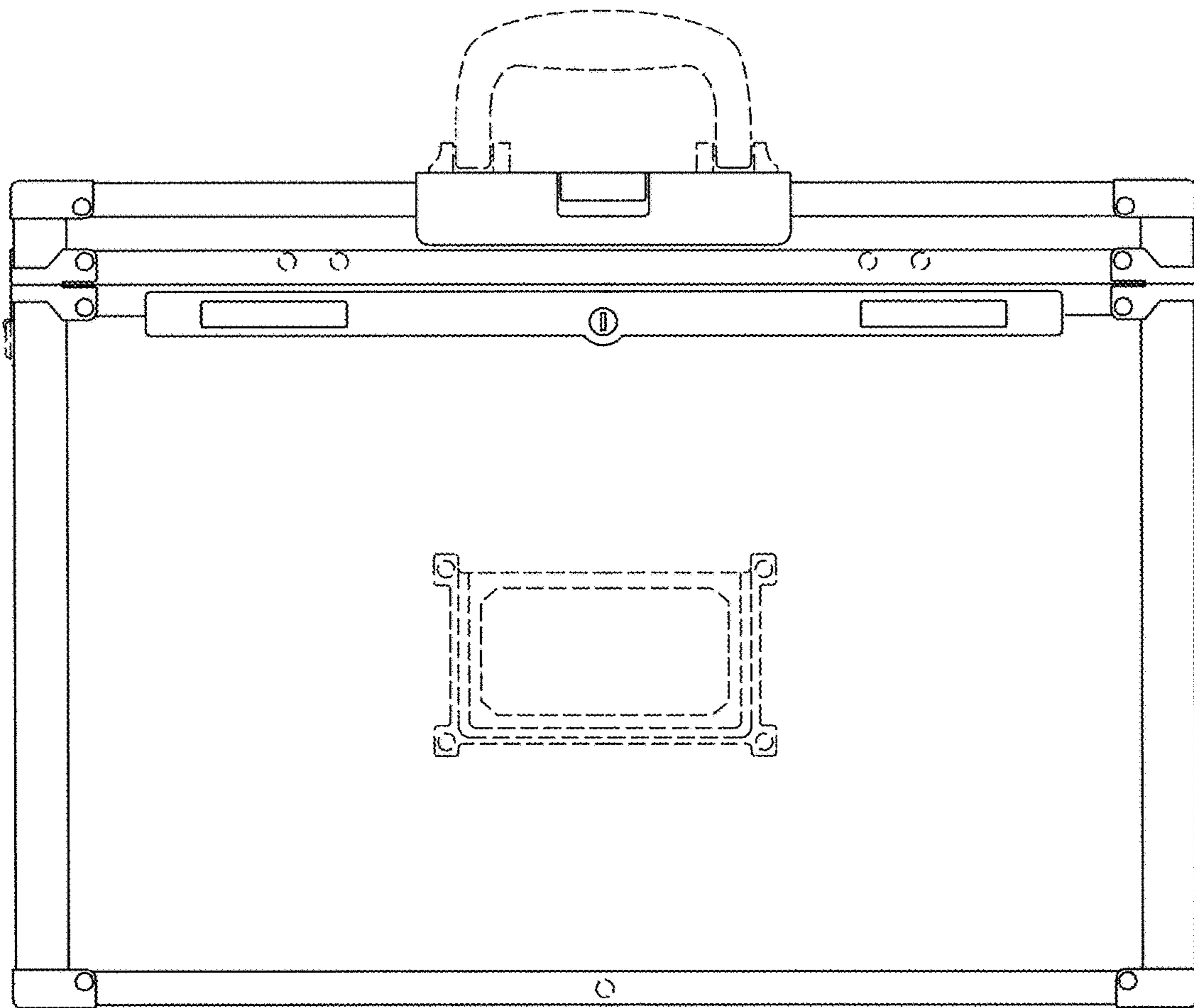


FIG. 2

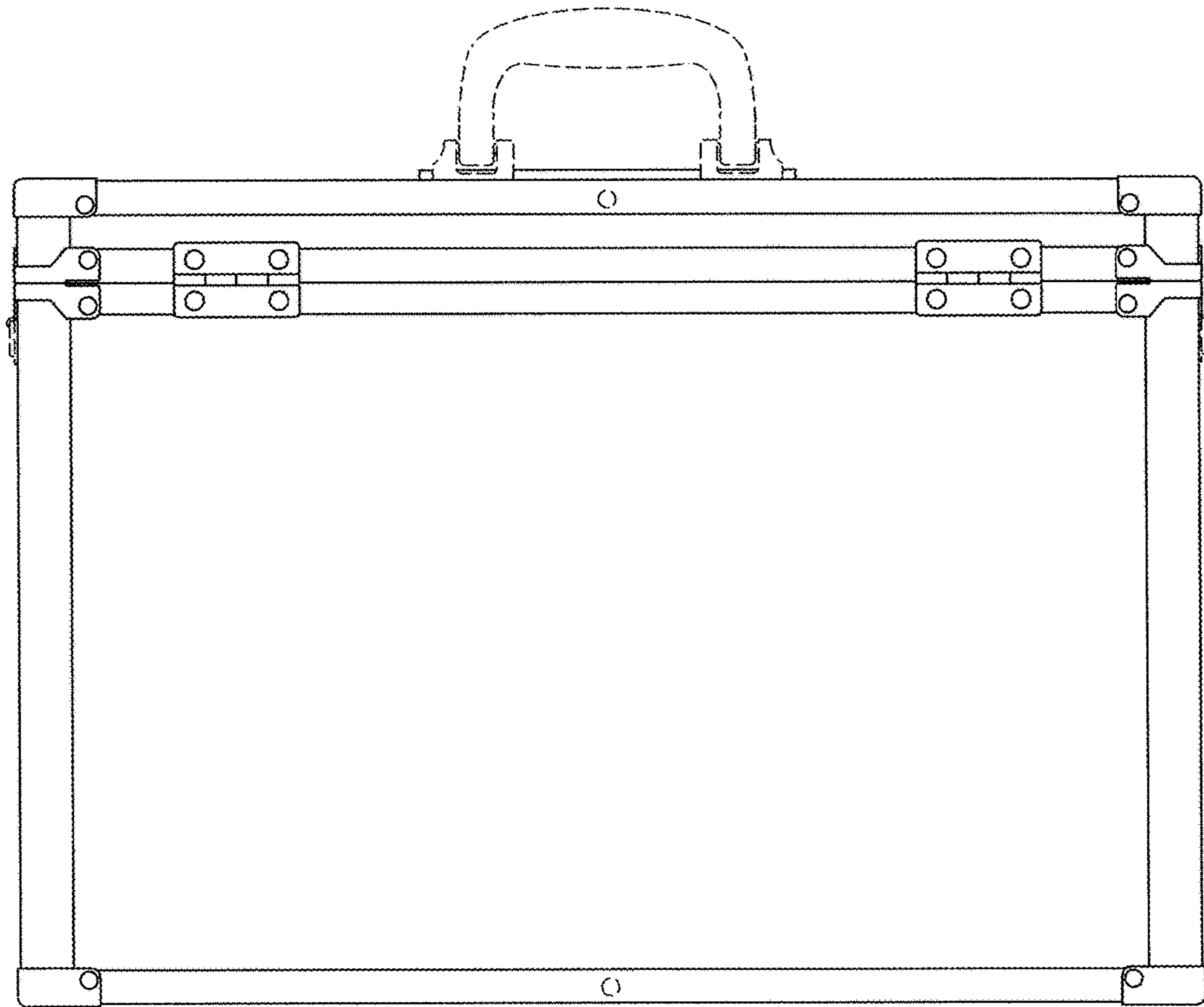


FIG. 4

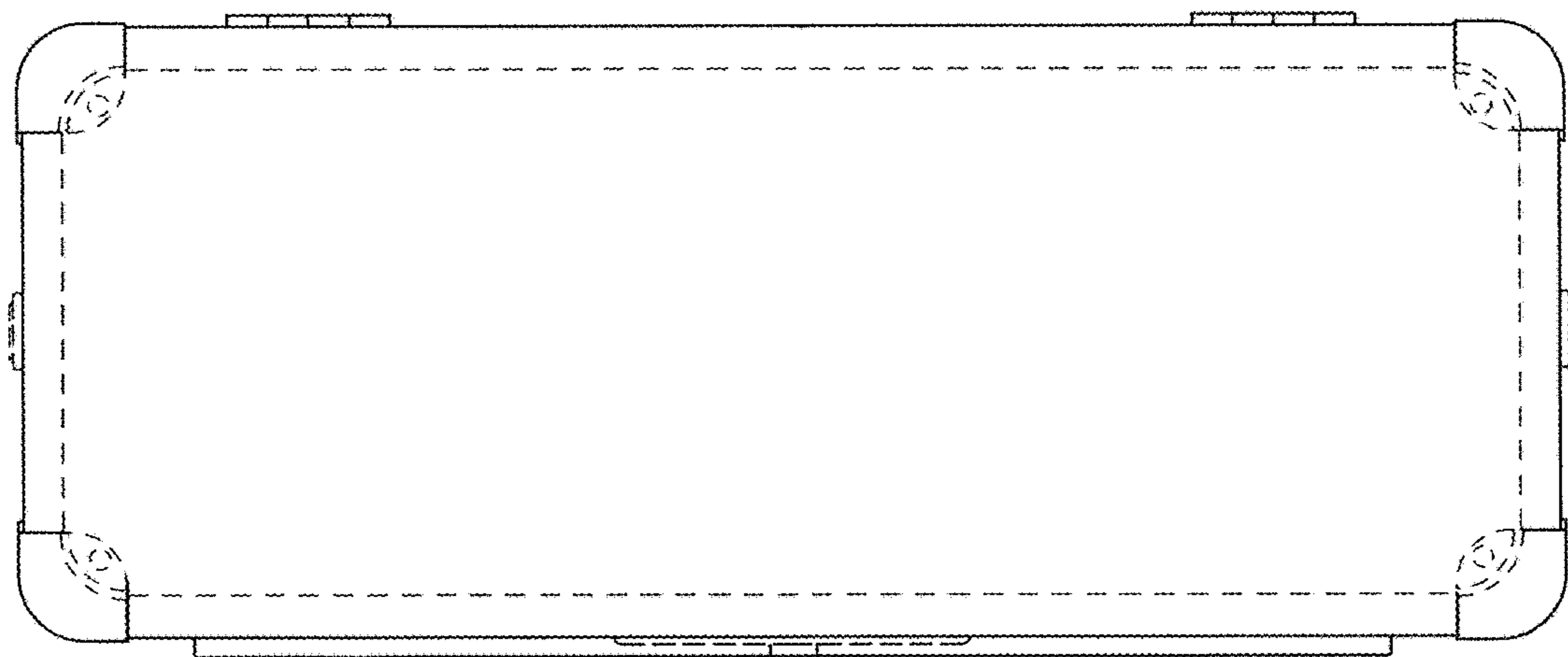


FIG. 5

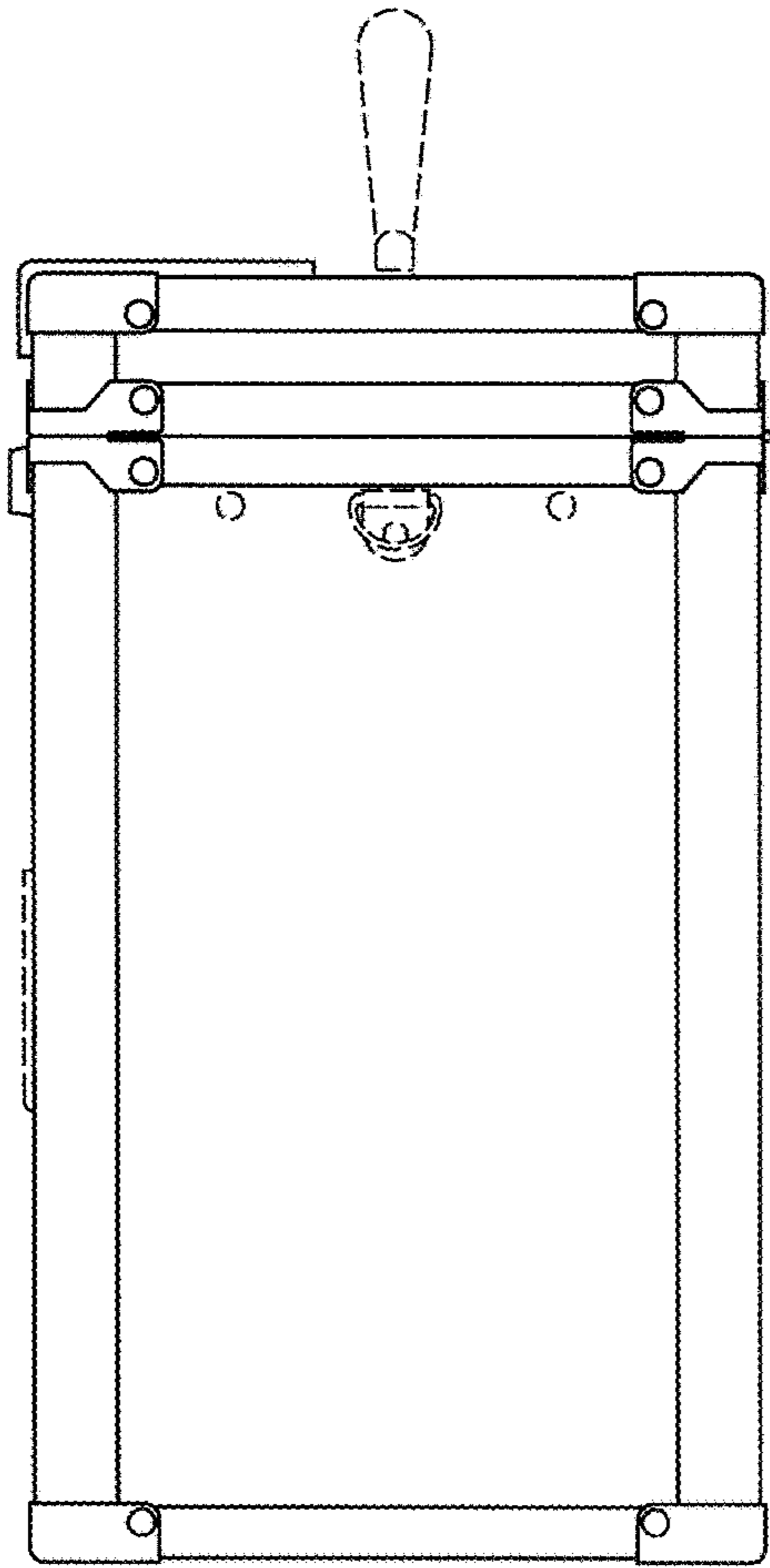


FIG. 6

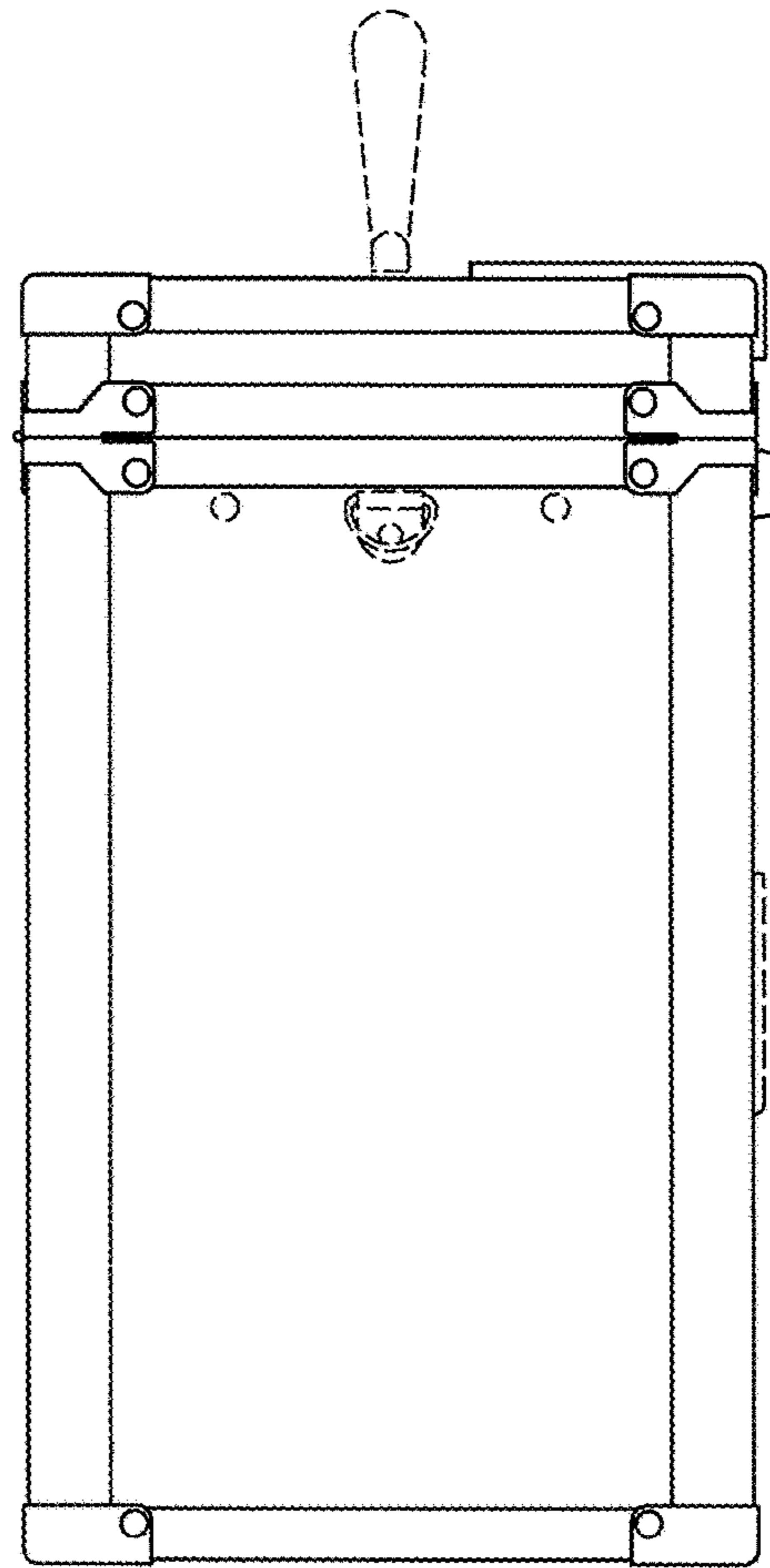


FIG. 7