

US00D861341S

(12) **United States Design Patent** (10) **Patent No.:** **US D861,341 S**
Xu (45) **Date of Patent:** **** Oct. 1, 2019**

(54) **SUITCASE**

D796,838 S * 9/2017 Sijmons D3/279
D812,908 S * 3/2018 Shum D3/279
2013/0292221 A1* 11/2013 Ryan A45C 5/03
190/18 A

(71) Applicant: **Zhejiang Hongyi Cases Leather Co., Ltd.**, Ruian, Zhejiang (CN)

(72) Inventor: **Daoxi Xu**, Ruian (CN)

(73) Assignee: **ZHEJIANG HONGYI CASES LEATHER CO., LTD.**, Ruian, Zhejiang (CN)

(**) Term: **15 Years**

(21) Appl. No.: **29/632,909**

(22) Filed: **Jan. 10, 2018**

(51) **LOC (12) Cl.** **03-01**

(52) **U.S. Cl.**
USPC **D3/279**

(58) **Field of Classification Search**
USPC D3/273, 276, 279, 902, 321
CPC A45C 2003/008; A45C 3/02; A45C 5/00;
A45C 5/03; A45C 5/14; A45C 2005/032;
A45C 2005/035; A45C 2005/037
See application file for complete search history.

(56) **References Cited**

U.S. PATENT DOCUMENTS

D627,162 S * 11/2010 Weng D3/279
D709,696 S * 7/2014 Wu D3/279
D710,608 S * 8/2014 Yoneno D3/279
D710,610 S * 8/2014 Sijmons D3/279
D712,658 S * 9/2014 Lai D3/279
D771,382 S * 11/2016 Maeda D3/279
D771,950 S * 11/2016 Lai D3/321
D783,282 S * 4/2017 Sijmons D3/279

OTHER PUBLICATIONS

Hong Yi Bag, "Cabin holiday 4-wheel suitcase luggage", Accessed Jun. 4, 2019. (<https://www.hongyibag.com/cabin-holiday-4-wheel-suitcase-luggage.html>) (Year: 2019).*
Hartmann, "26" Hartmann 7R Master 70/26 Spinner", Accessed Jun. 4, 2019. (<https://shop.hartmann.com/collections/7r-master/hartmann-7r-master-70%2F26-spinner/733344357.html>) (Year: 2019).*

* cited by examiner

Primary Examiner — Jennifer Rivard

Assistant Examiner — April Rivas

(74) *Attorney, Agent, or Firm* — Leong C. Lei

(57) **CLAIM**

The ornamental design for a suitcase, as shown and described.

DESCRIPTION

FIG. 1 is a front view of a suitcase showing my present design;
FIG. 2 is a rear view thereof;
FIG. 3 is a left view thereof;
FIG. 4 is a right side view thereof;
FIG. 5 is a bottom side view thereof;
FIG. 6 is a top view thereof;
FIG. 7 is a rear perspective view thereof;
FIG. 8 is a front perspective view thereof; and,
FIG. 9 is a rear perspective view thereof, in a state of use.

1 Claim, 9 Drawing Sheets

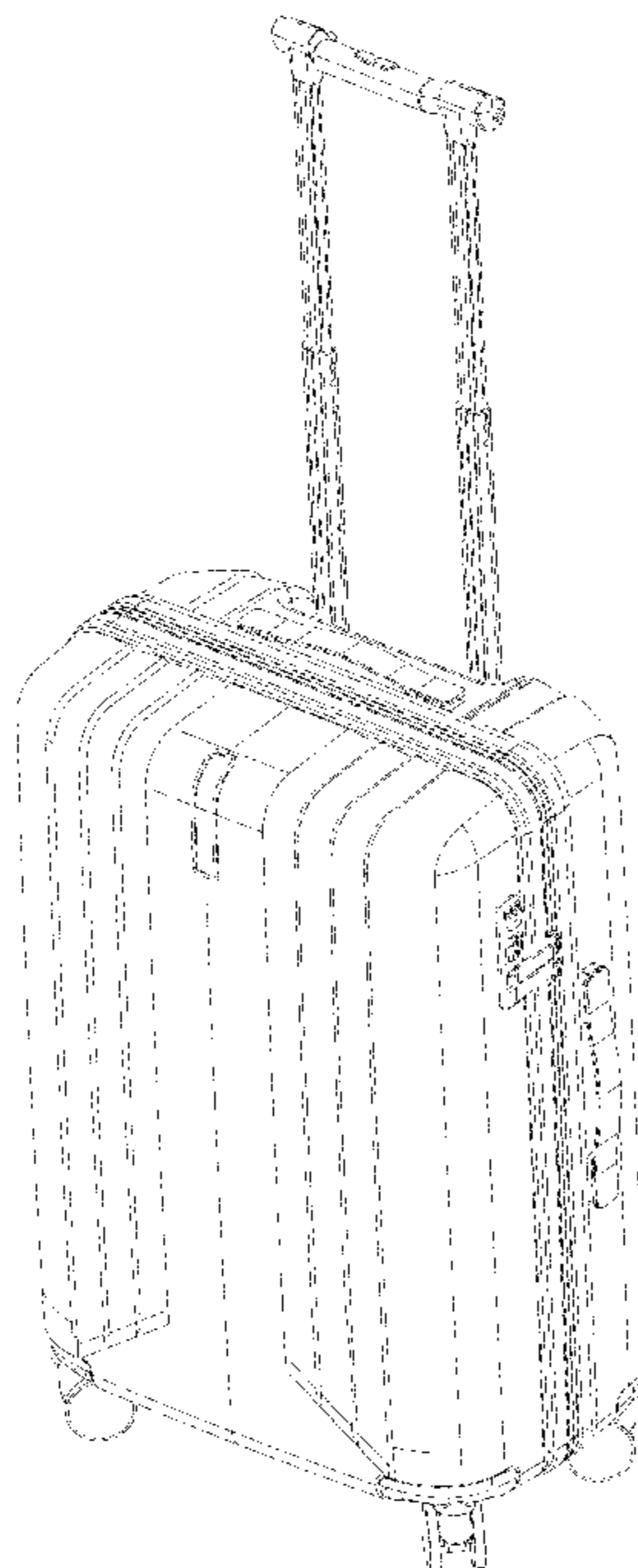




FIG. 1

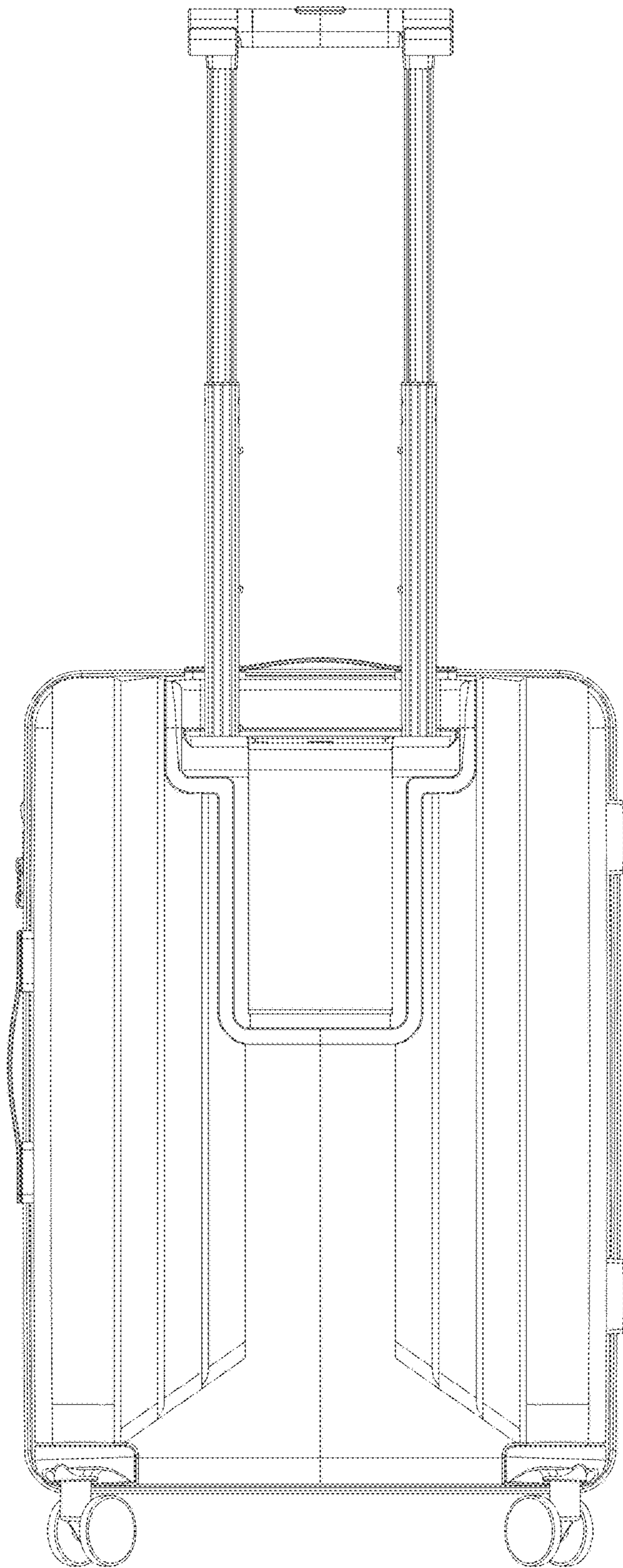


FIG. 2

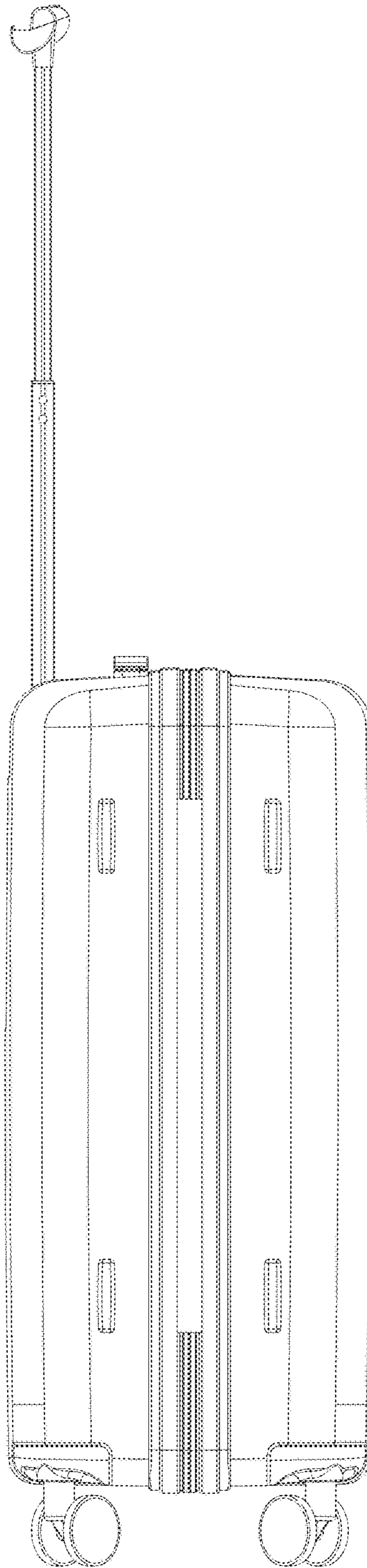


FIG. 3

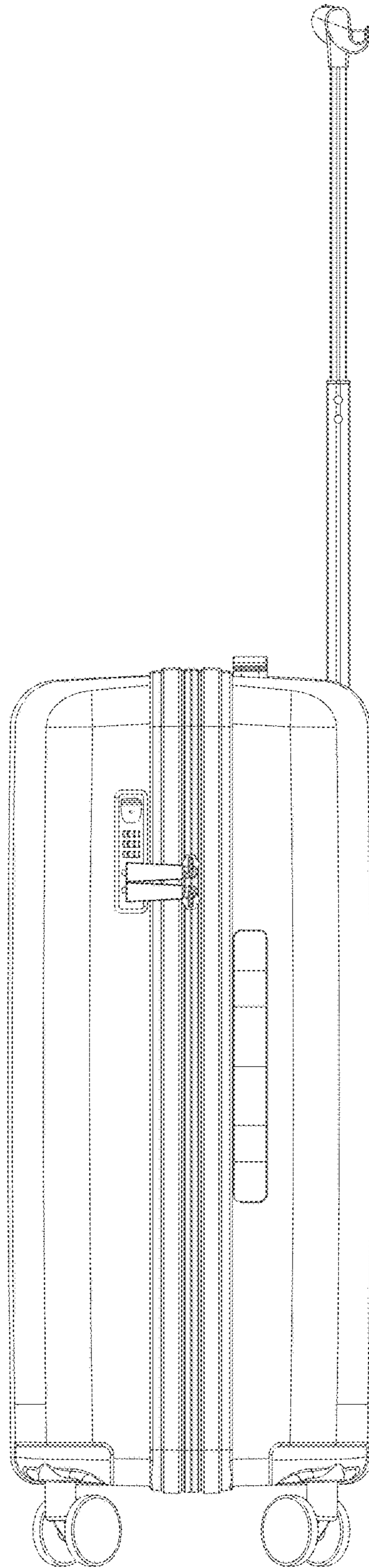


FIG. 4

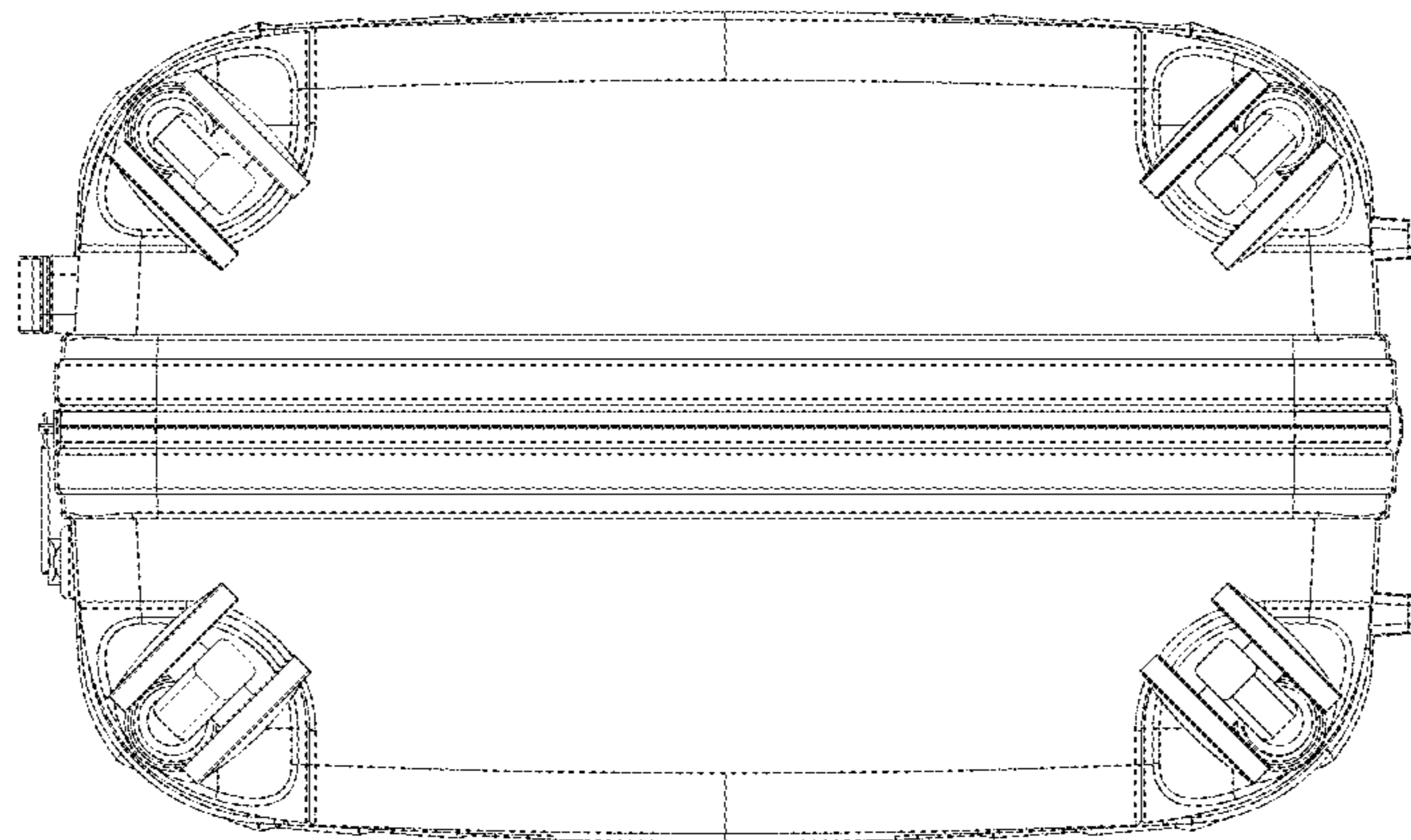


FIG. 5

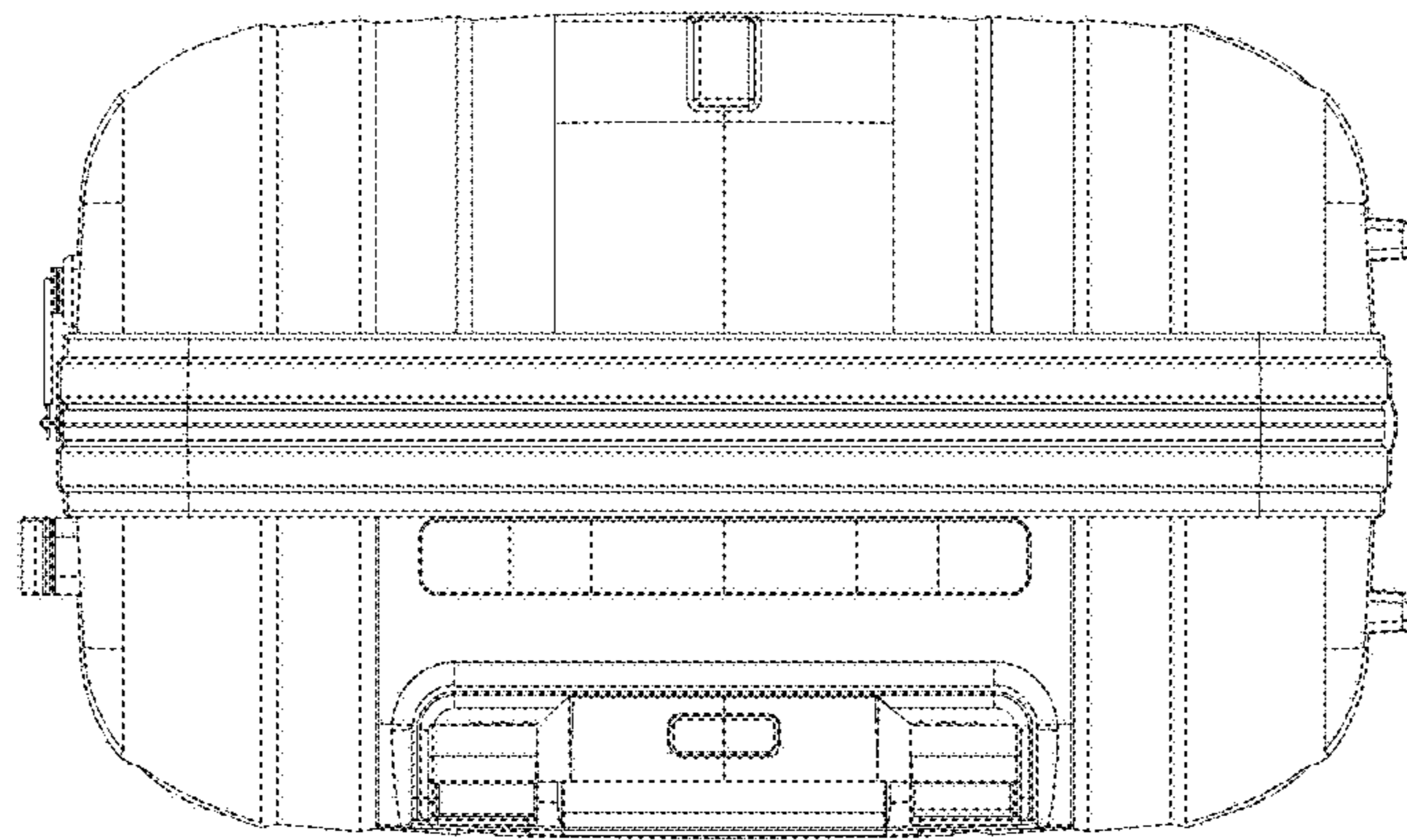


FIG. 6

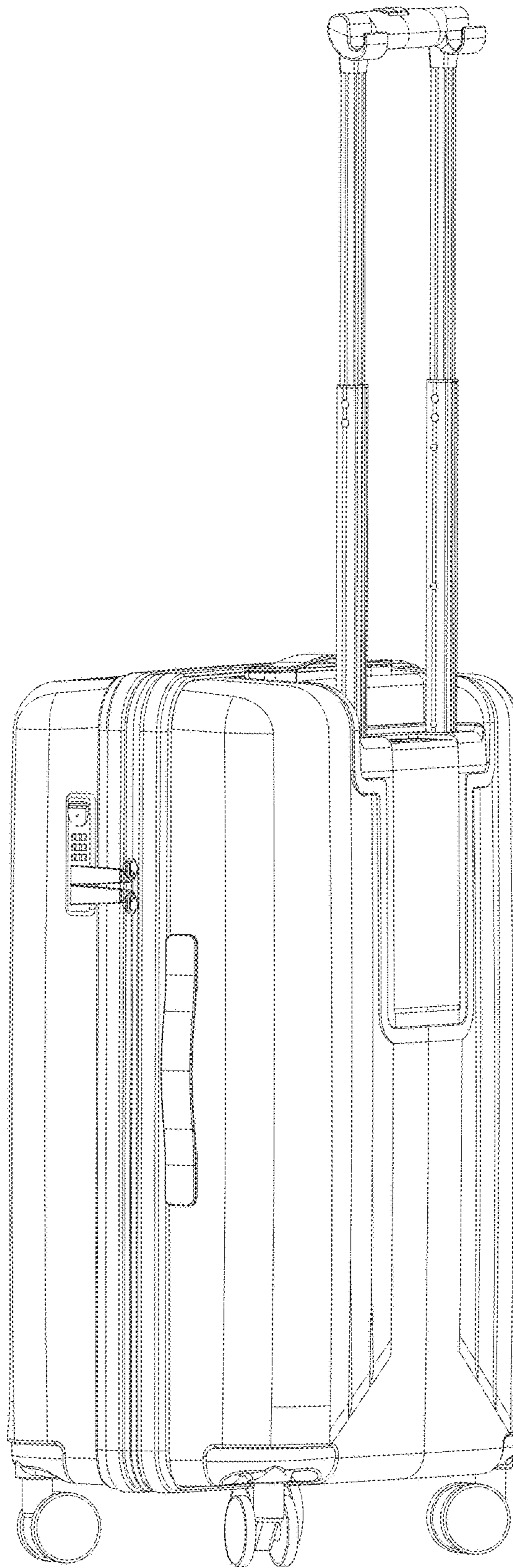


FIG. 7

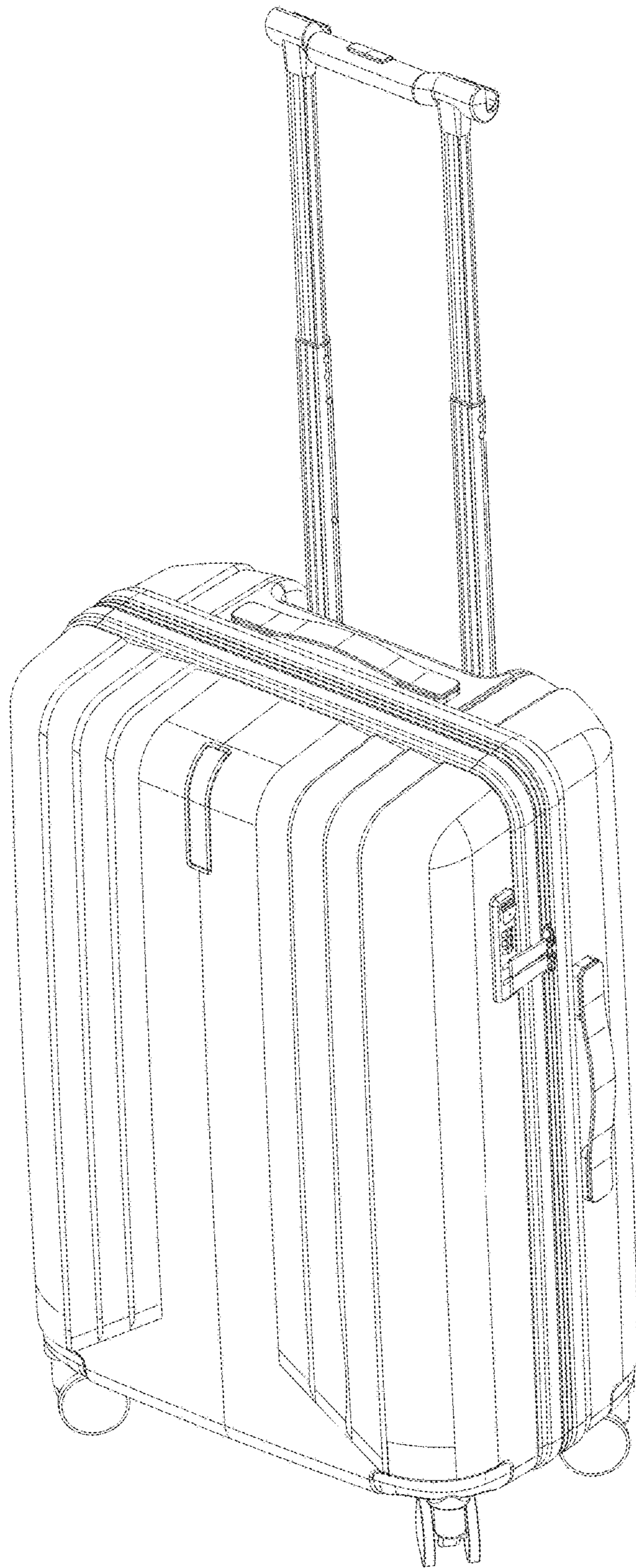


FIG. 8

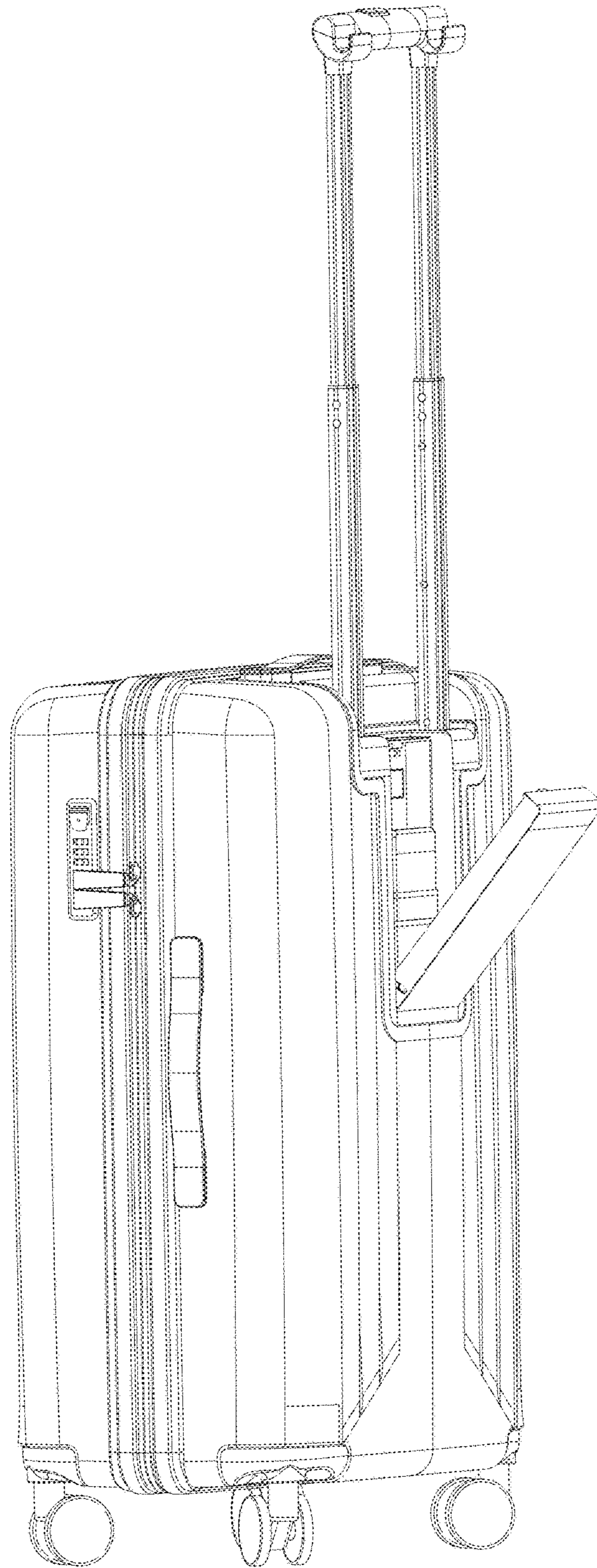


FIG. 9