



US00D861339S

(12) **United States Design Patent** (10) **Patent No.:** **US D861,339 S**  
**Moon** (45) **Date of Patent:** **\*\* \*Oct. 1, 2019**

(54) **CARD WALLET**

(71) Applicant: **Decadent Minimalist Inc.**, Algona, WA (US)

(72) Inventor: **Erik P. Moon**, Algona, WA (US)

(73) Assignee: **Decadent Minimalist Inc.**, Algona, WA (US)

(\* ) Notice: This patent is subject to a terminal disclaimer.

(\*\*) Term: **15 Years**

(21) Appl. No.: **29/619,696**

(22) Filed: **Sep. 29, 2017**

**Related U.S. Application Data**

(63) Continuation-in-part of application No. 29/582,473, filed on Oct. 27, 2016, now Pat. No. Des. 809,792, which is a continuation of application No. 14/457,403, filed on Aug. 12, 2014, now Pat. No. 9,681,721.

(51) **LOC (12) Cl.** ..... **03-01**

(52) **U.S. Cl.**  
USPC ..... **D3/247**

(58) **Field of Classification Search**  
USPC ..... D3/247, 249-253  
CPC .. A45C 1/06; A45C 3/08; A45C 11/18; A45V 11/182

See application file for complete search history.

(56) **References Cited**

U.S. PATENT DOCUMENTS

4,518,080	A *	5/1985	Ohlson .....	A45C 11/182
				206/37
6,848,577	B2 *	2/2005	Kawamura .....	A24F 15/12
				206/37
D627,786	S *	11/2010	Hsia .....	D14/435
D628,795	S *	12/2010	Sanders .....	D3/247
D630,848	S *	1/2011	Long .....	D3/247
D724,841	S *	3/2015	Schneider .....	D3/247
9,339,094	B2 *	5/2016	Tucker-Skow .....	A45C 11/182

\* cited by examiner

*Primary Examiner* — Holly H Baynham

(74) *Attorney, Agent, or Firm* — Intellectual Property Law Group LLP

(57) **CLAIM**

The ornamental design for a card wallet, as shown and described.

**DESCRIPTION**

FIG. 1 is a front, right, top perspective view of a card wallet showing my new design;

FIG. 2 is a top plan view with the bottom plan view being a mirror image thereof;

FIG. 3 is a front view thereof with the rear being a 180 degree clockwise rotation thereof;

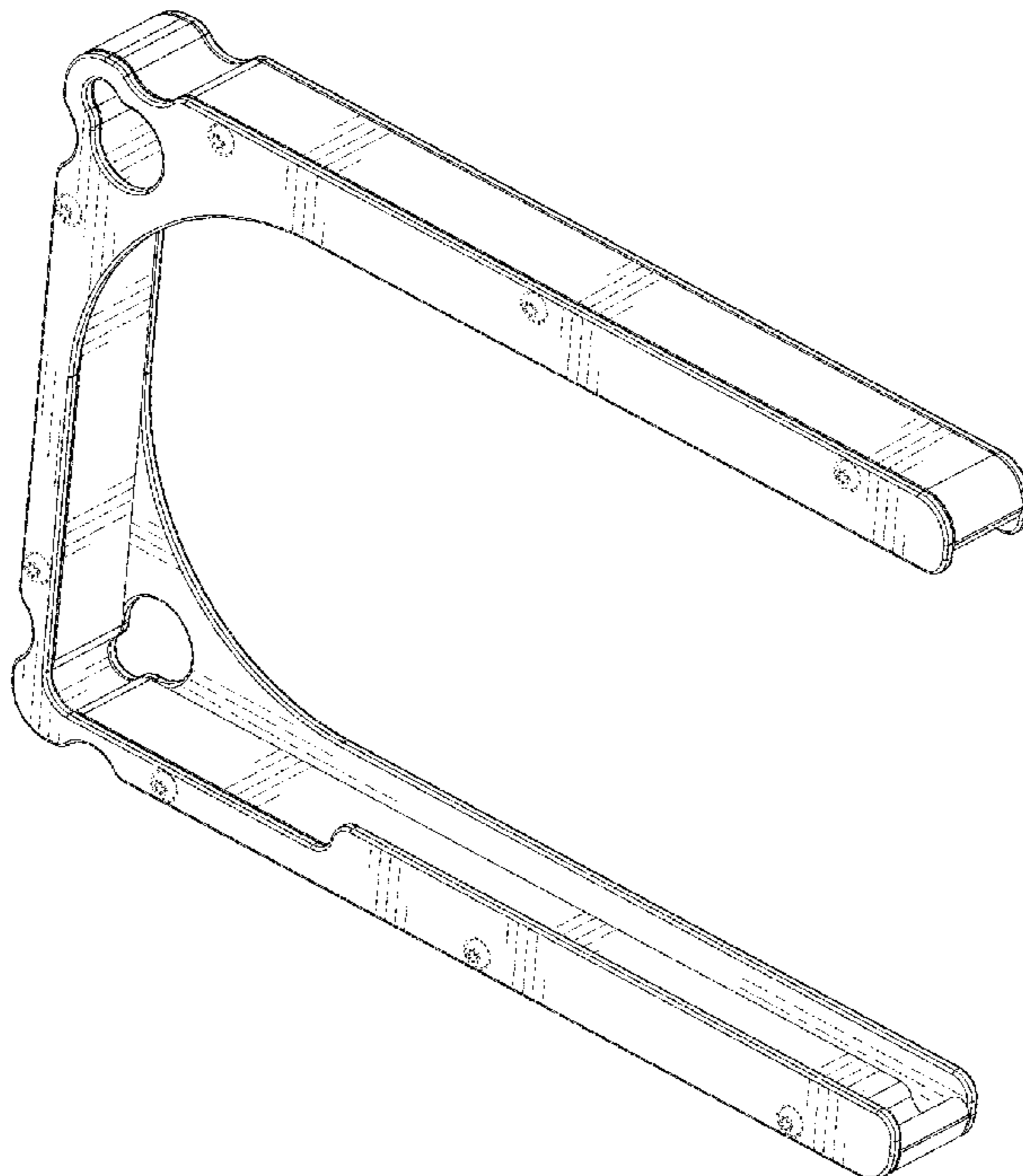
FIG. 4 is a left side view thereof;

FIG. 5 is a right side view thereof; and,

FIG. 6 is an exploded front, right, top perspective view showing components of the design separated for clarity of illustration.

The broken lines are provided for purposes of illustration and form no part of the claimed design.

**1 Claim, 3 Drawing Sheets**



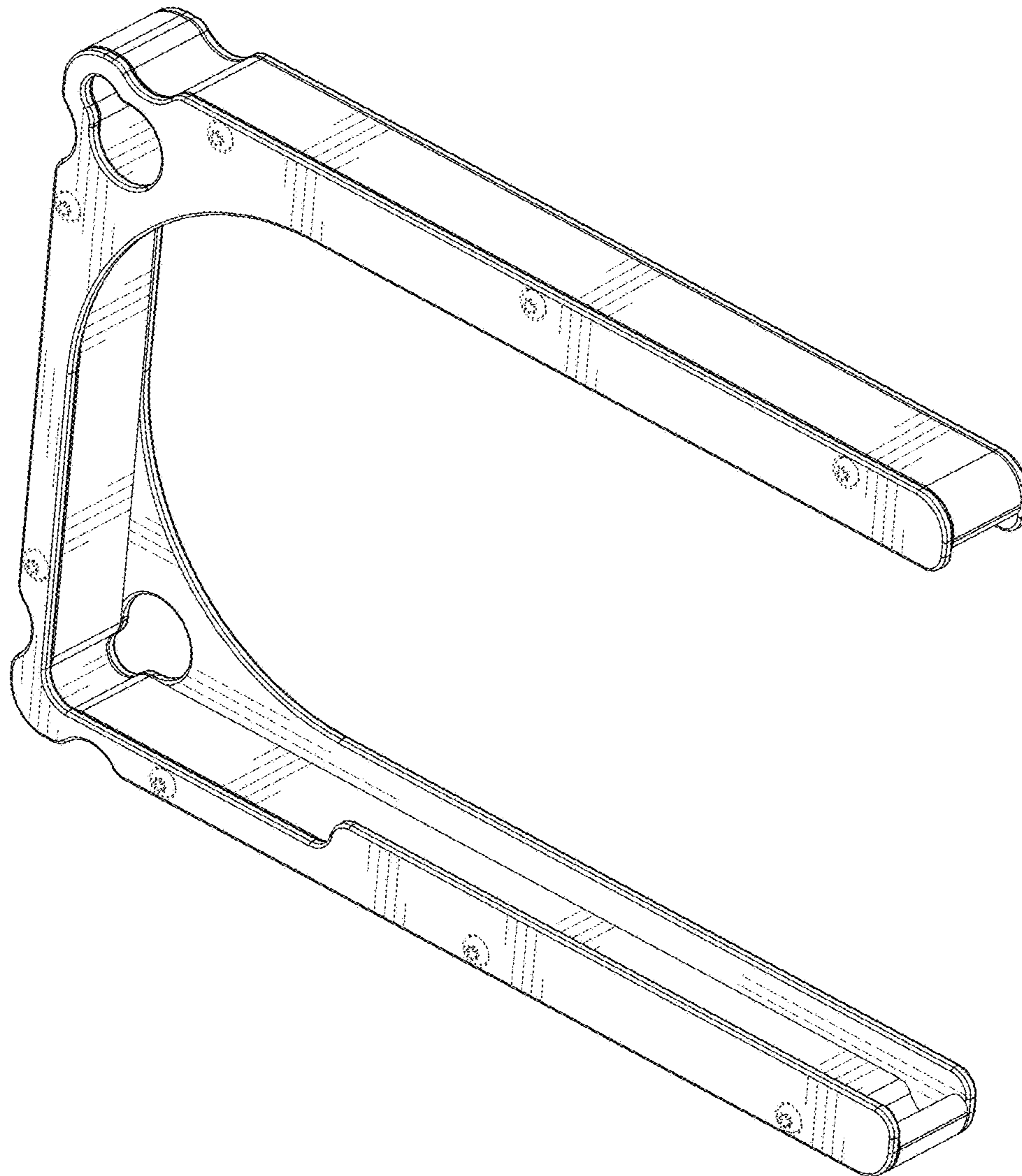
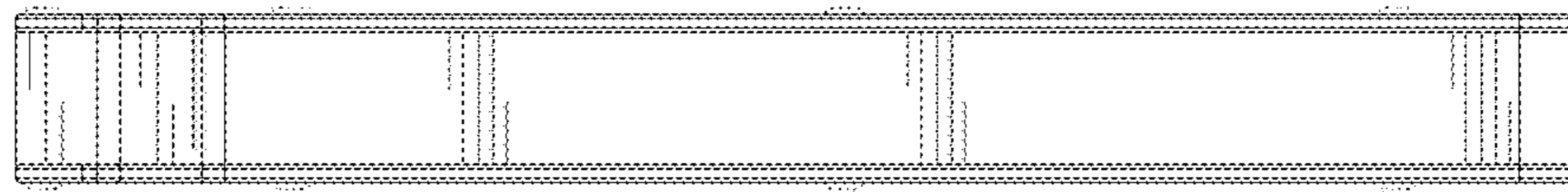
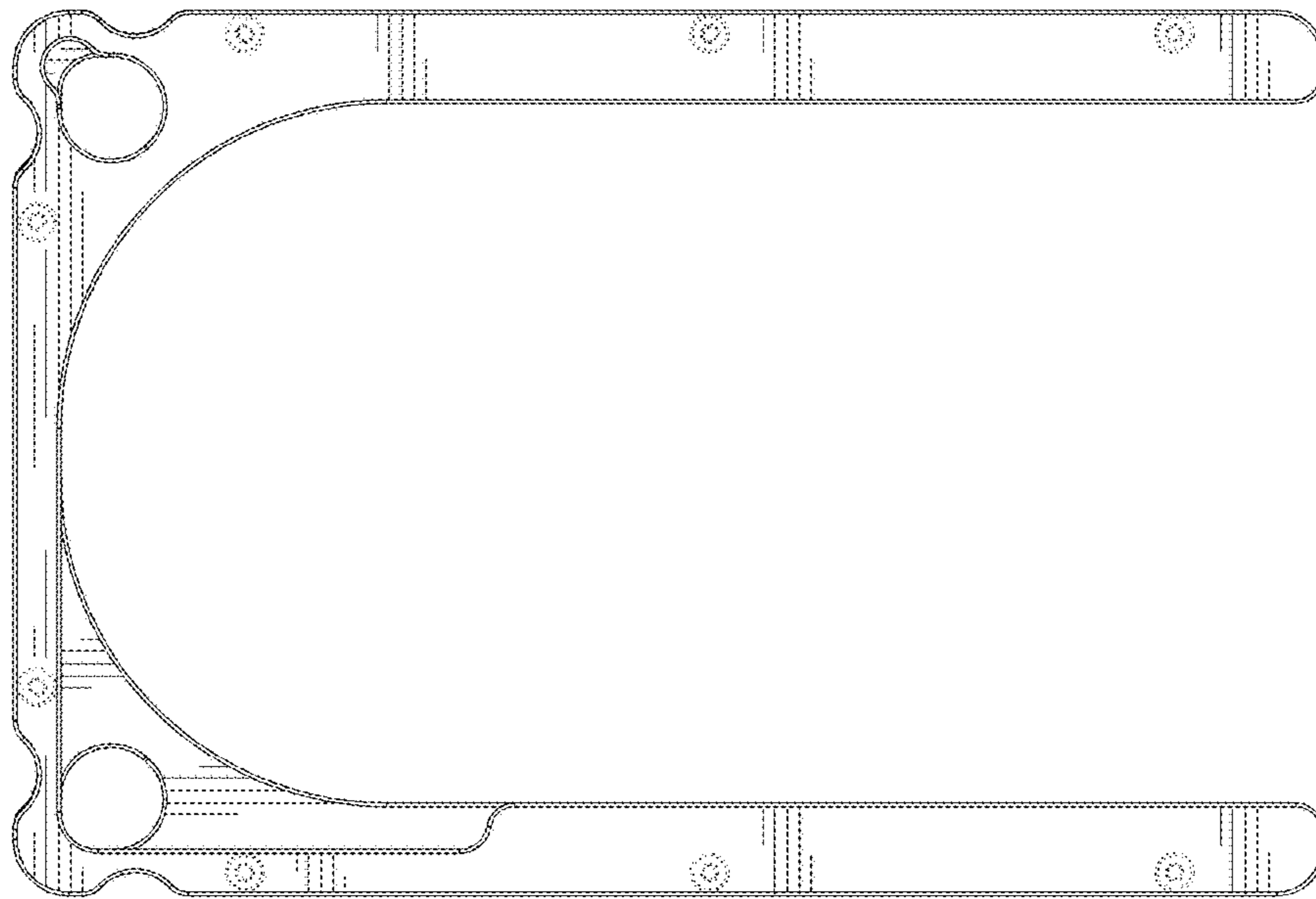


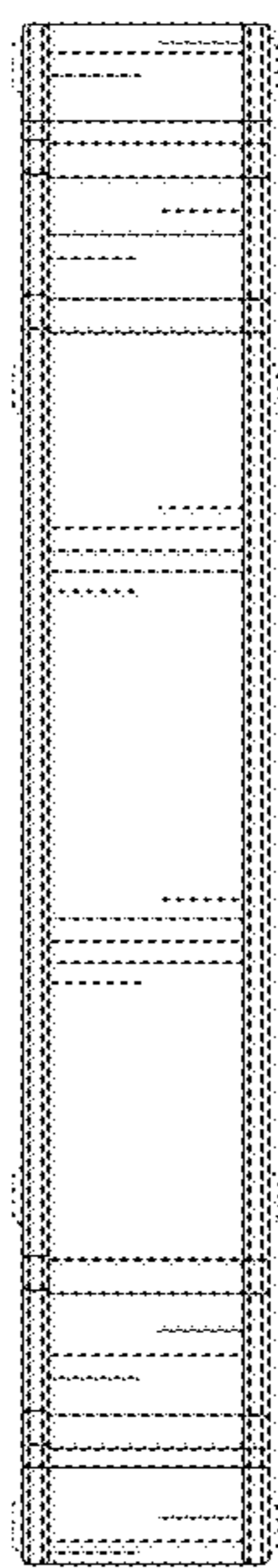
FIG. 1



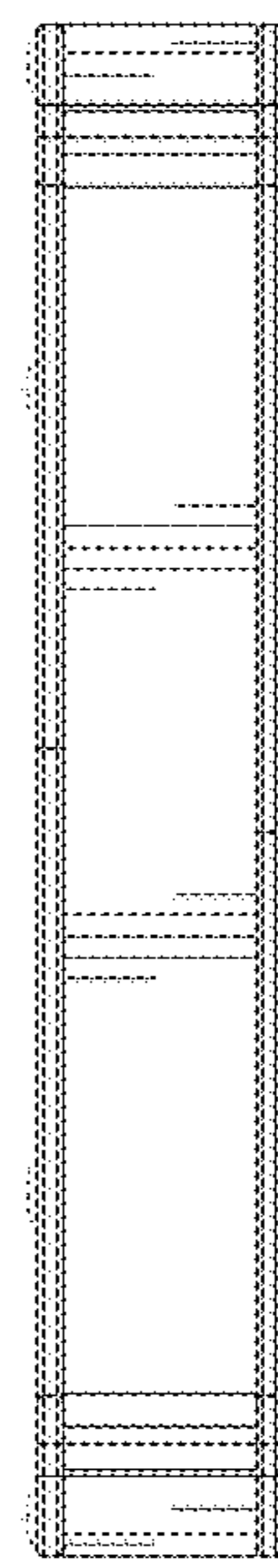
**FIG. 2**



**FIG. 3**



**FIG. 4**



**FIG. 5**

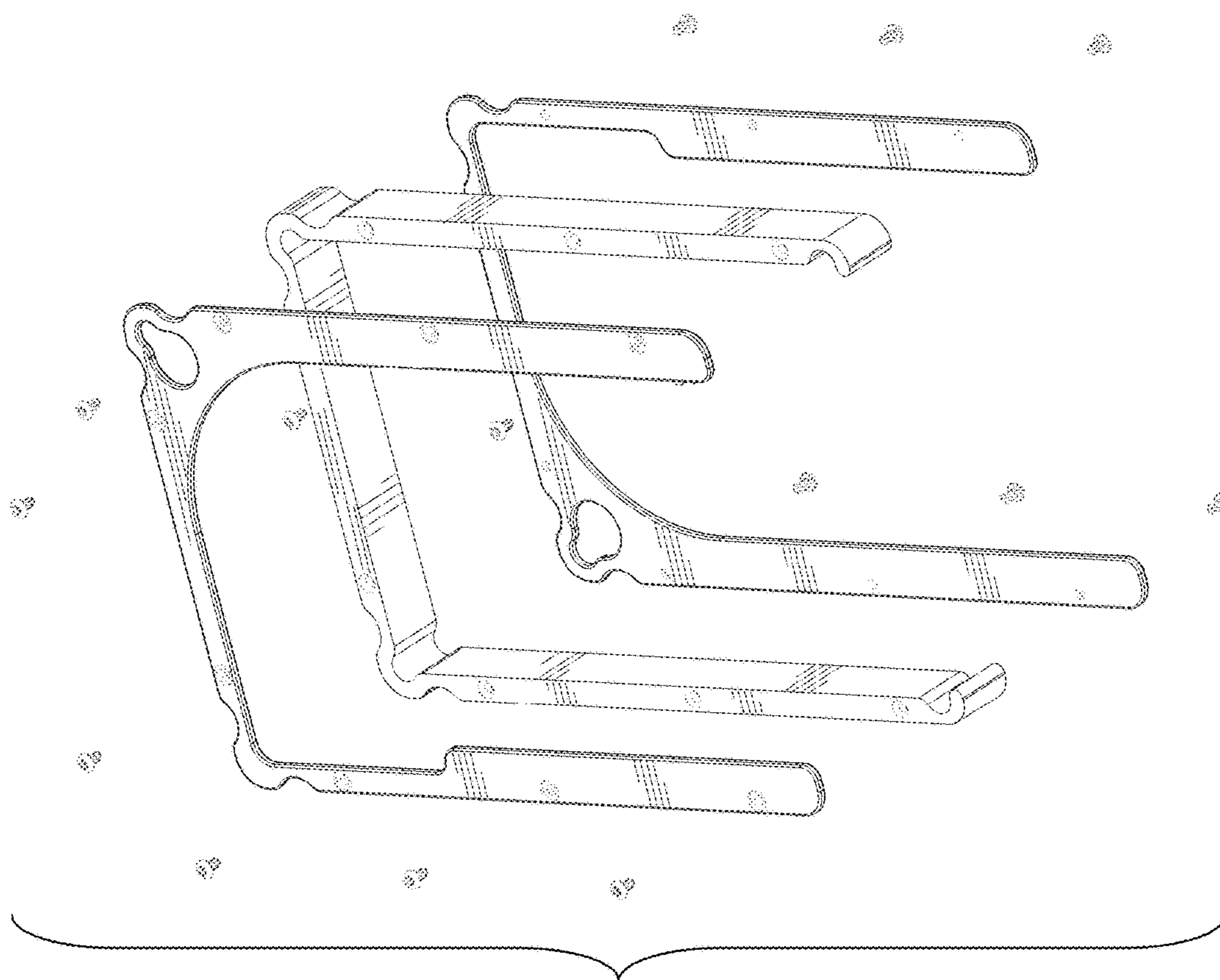


FIG. 6