



US00D861332S

(12) **United States Design Patent** (10) **Patent No.:** **US D861,332 S**
Shin (45) **Date of Patent:** **** Oct. 1, 2019**

(54) **WEARABLE CASE**

(56) **References Cited**

(71) Applicant: **SEEMINEX CO., LTD**, Seongnam-si (KR)

U.S. PATENT DOCUMENTS

(72) Inventor: **Suk Joo Shin**, Incheon (KR)

6,646,864 B2 *	11/2003	Richardson	G06F 1/1626
				206/305
D575,056 S *	8/2008	Tan	D3/201
D587,896 S *	3/2009	Aipa	D3/201
D597,089 S *	7/2009	Khan	D14/250
D609,463 S *	2/2010	Bullen	D3/218
8,675,359 B2 *	3/2014	Chen	A45C 11/00
				206/305

(73) Assignee: **SEEMINEX CO., LTD**, Seongnam-si (KR)

(**) Term: **15 Years**

* cited by examiner

(21) Appl. No.: **29/659,444**

Primary Examiner — Antoine Duval Davis

(22) Filed: **Aug. 9, 2018**

(74) *Attorney, Agent, or Firm* — Lex IP Meister, PLLC

(30) **Foreign Application Priority Data**

(57) **CLAIM**

The ornamental design for a wearable case, as shown and described.

Jul. 19, 2018 (KR) 30-2018-0033464

DESCRIPTION

(51) **LOC (12) Cl.** **03-01**

FIG. 1 is a perspective view of the wearable case for housing a smartphone, an emergency pager, a mobile terminal, etc. showing my design;

(52) **U.S. Cl.**

USPC **D3/218**; D10/103

FIG. 2 is a front elevation view thereof;

(58) **Field of Classification Search**

USPC D3/215, 218; D10/46, 70, 78, 103; D14/341, 344, 138 R, 138 AA, 203.3; 206/305, 306, 307, 459.1, 775; 224/904, 224/907, 929

FIG. 3 is a back elevation view thereof;

CPC G01D 11/24; G01D 11/245; G01D 11/26;

FIG. 4 is a left side elevation view thereof;

G01D 11/28; B01L 9/54; G06F 1/1626;

FIG. 5 is a right side elevation view thereof;

G06F 2200/1632; G06F 2200/1633

FIG. 6 is a top plan view thereof; and,

See application file for complete search history.

FIG. 7 is a bottom plan view thereof.
In the drawings, the broken lines represent environmental structures that form no part of the claimed design.

1 Claim, 7 Drawing Sheets

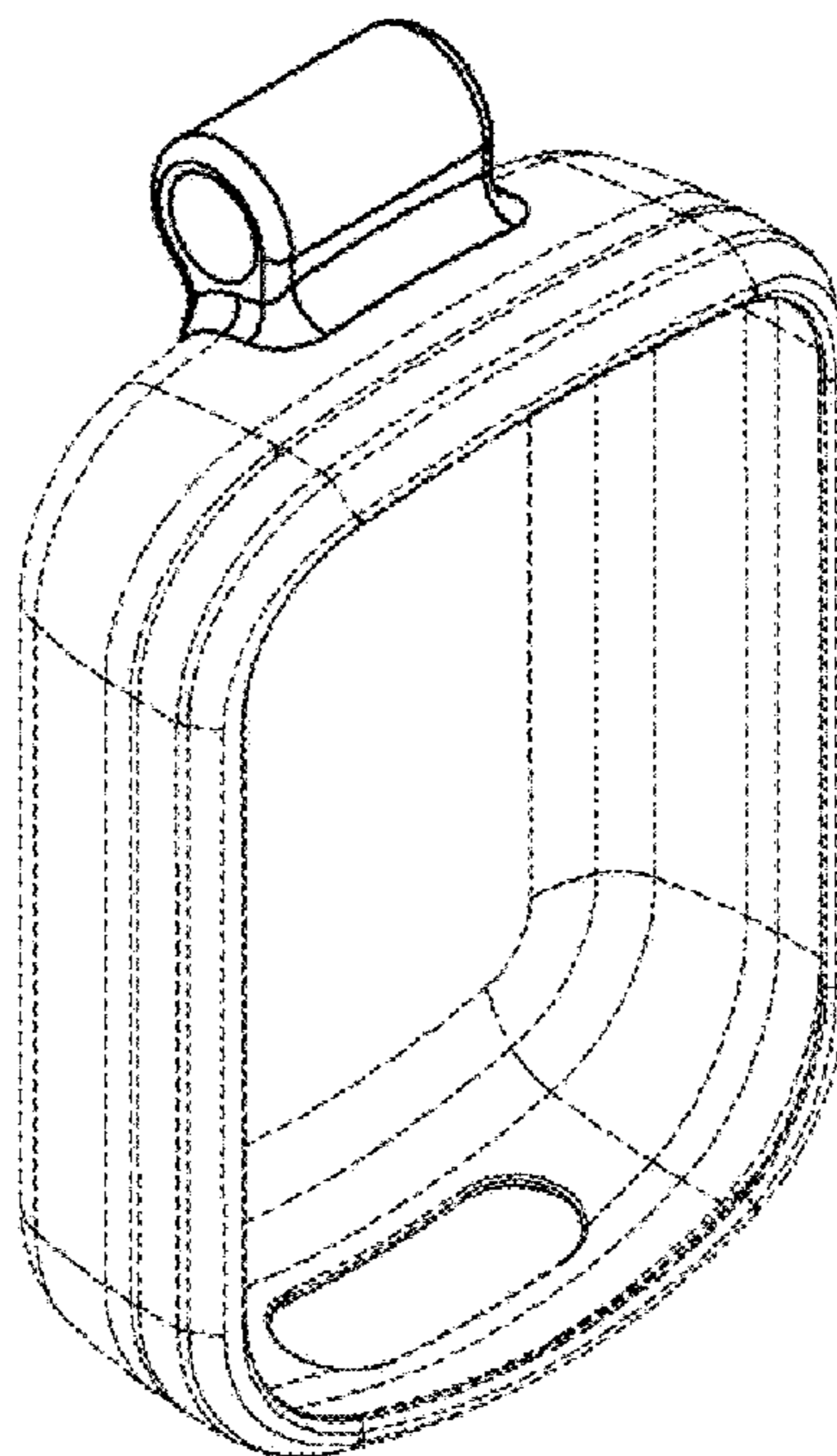


FIG. 1

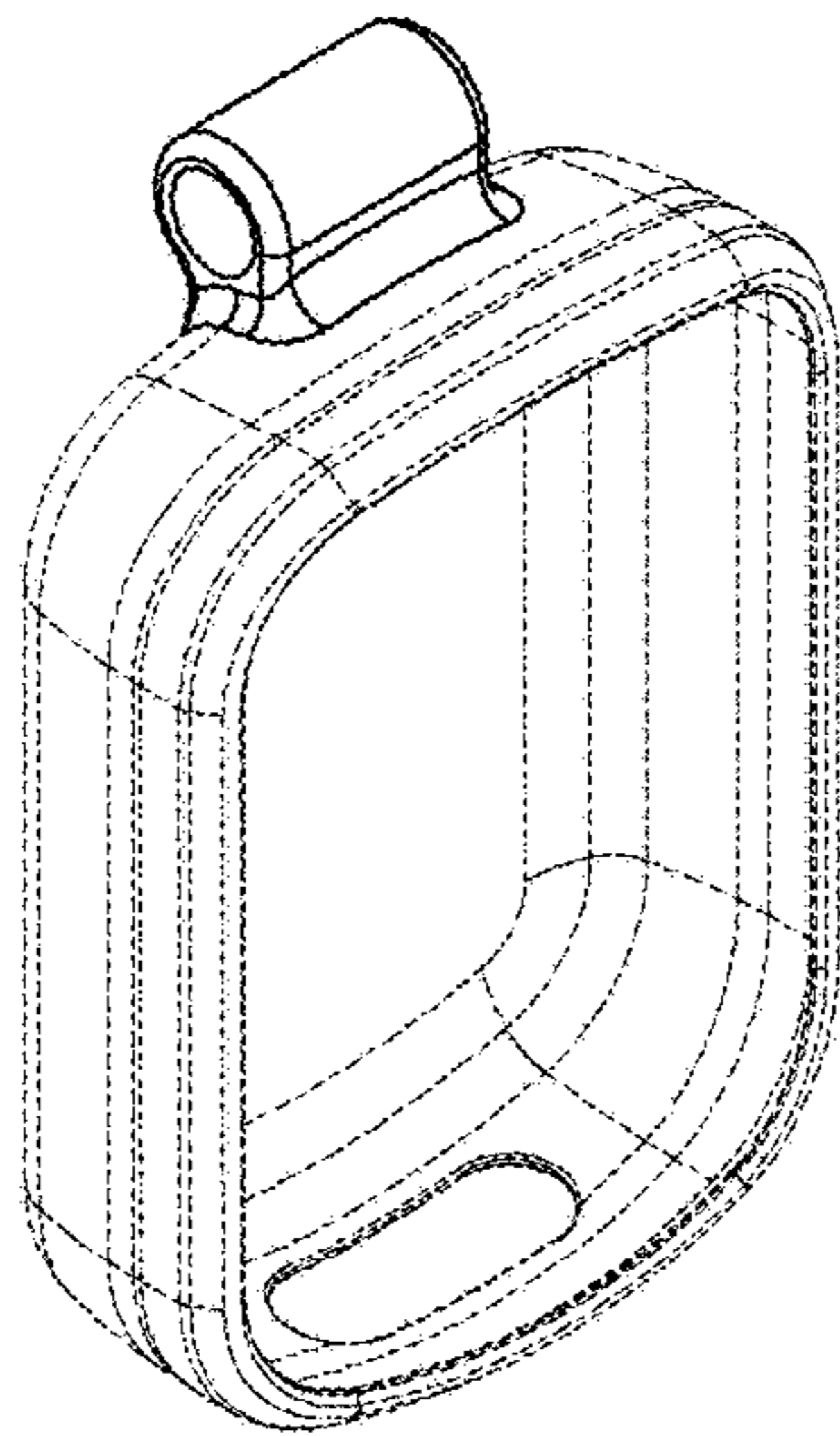


FIG. 2

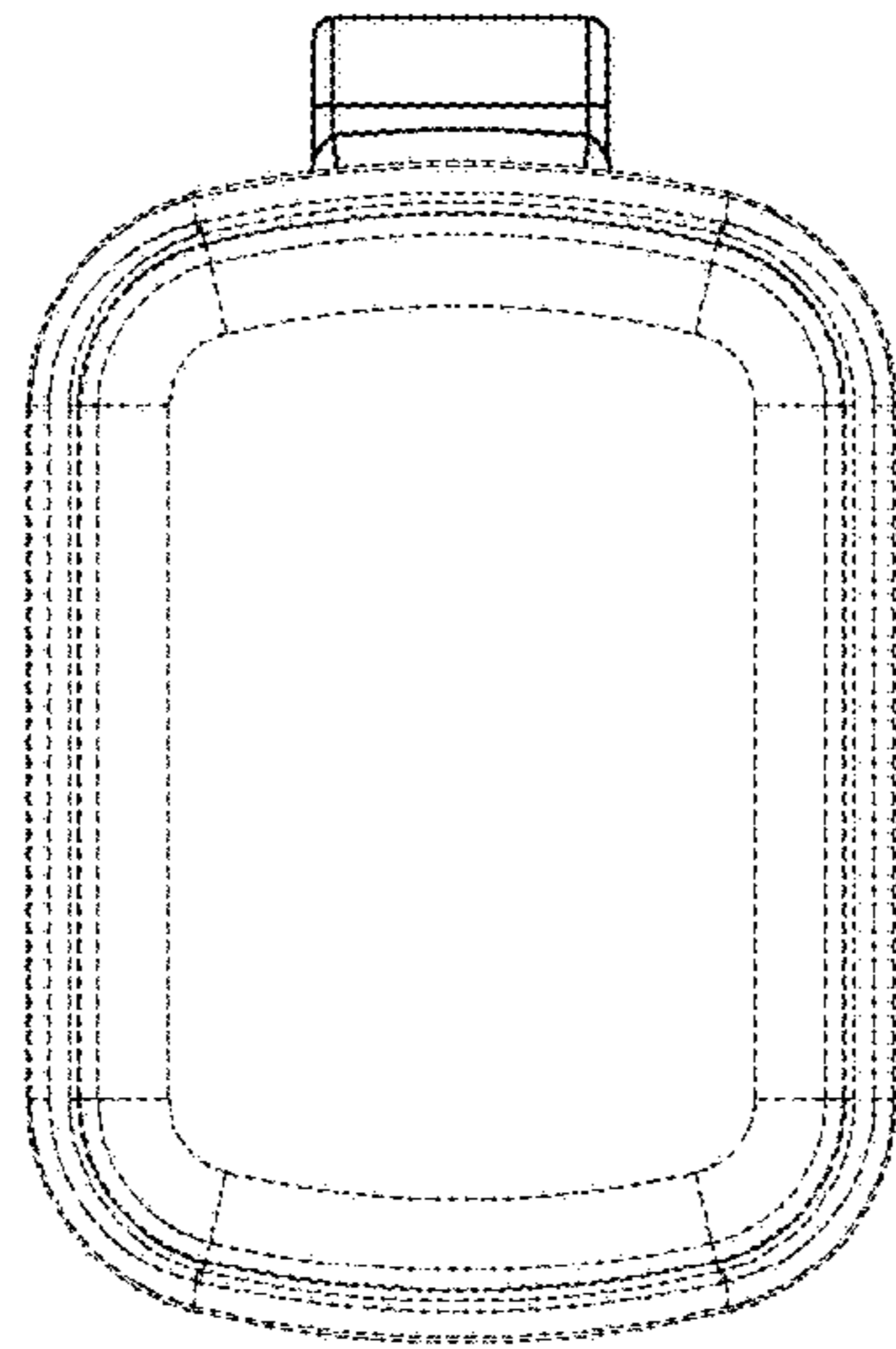


FIG. 3

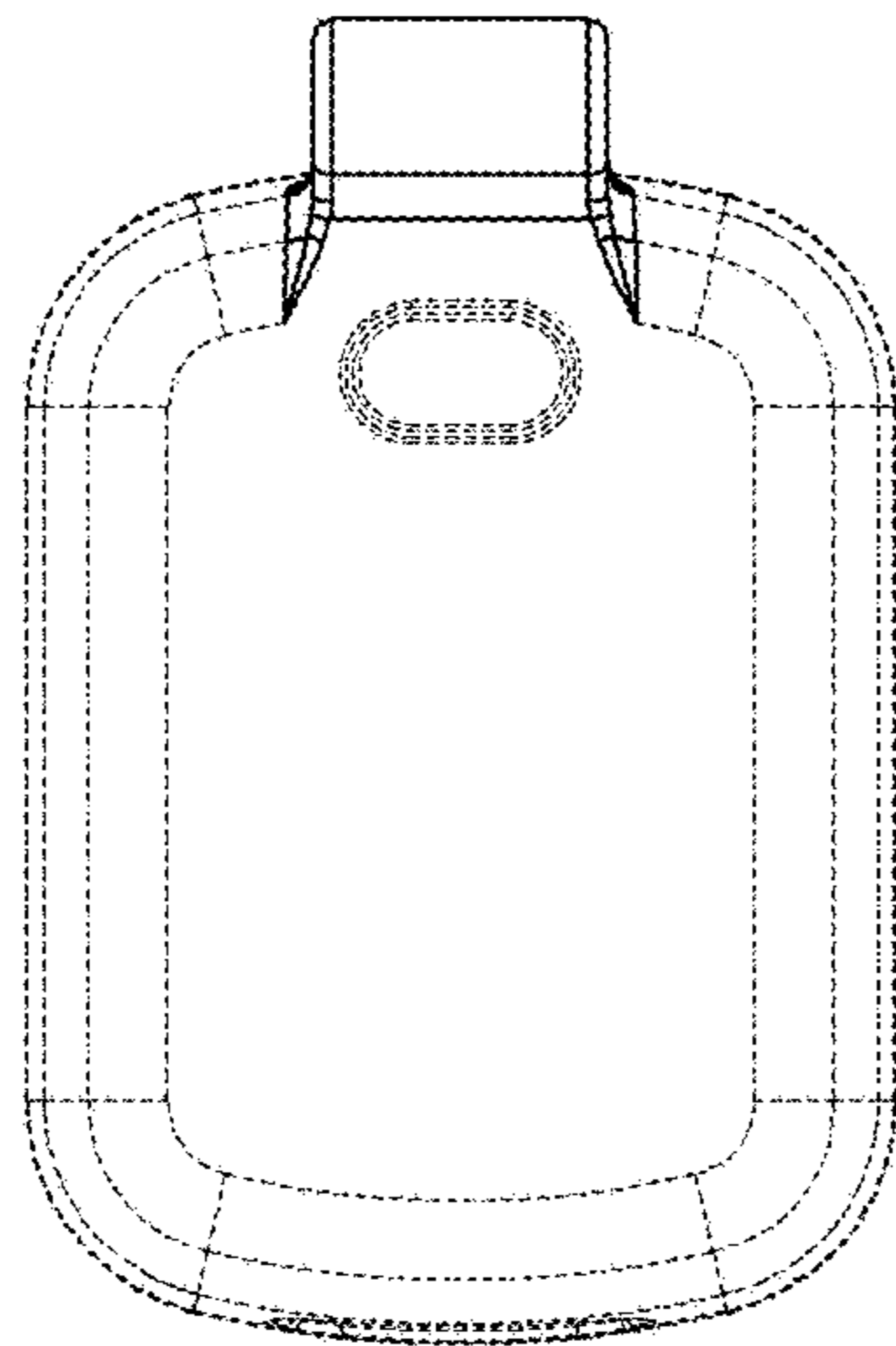


FIG. 4

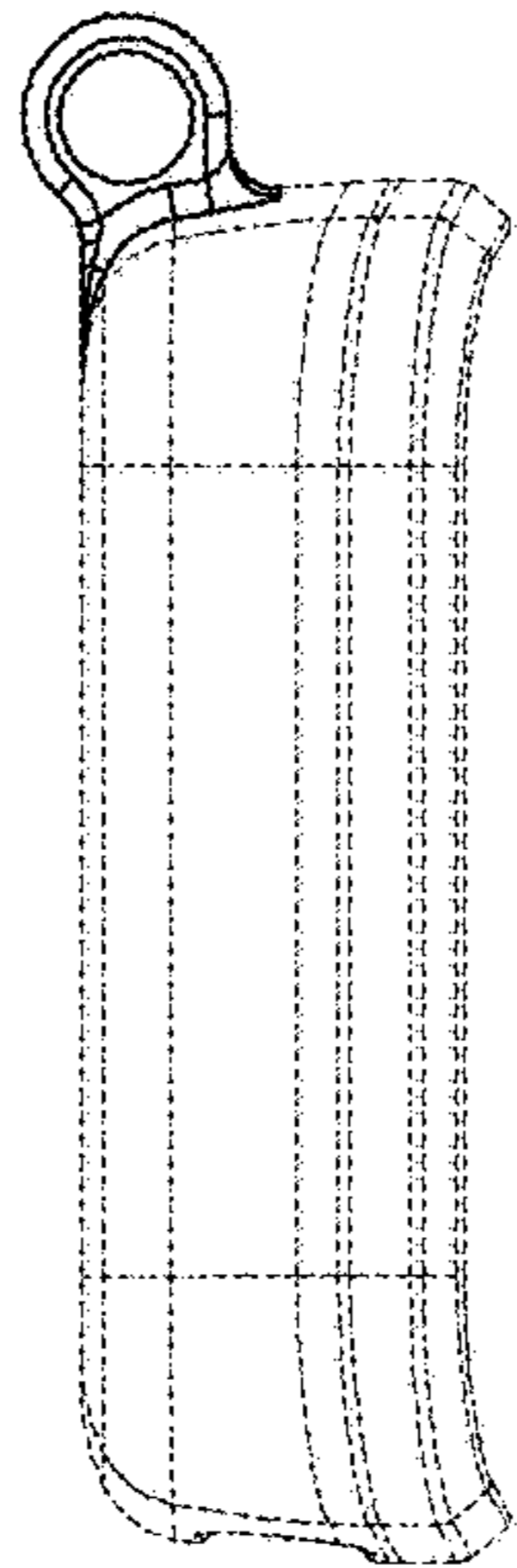


FIG. 5

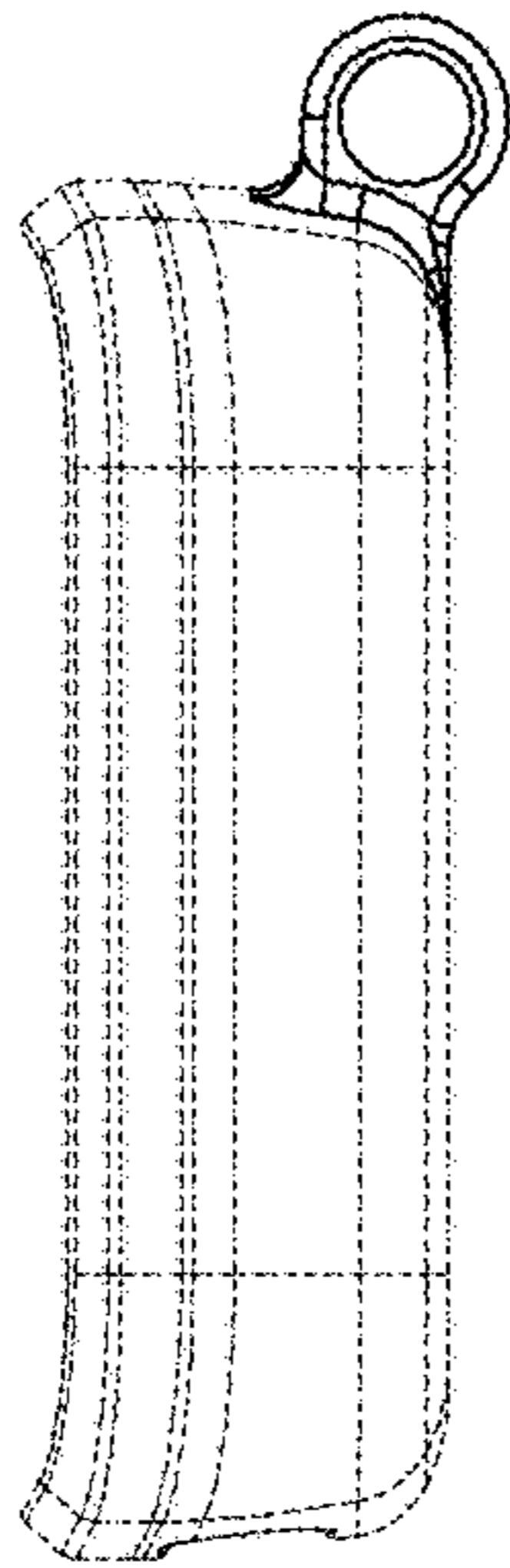


FIG. 6

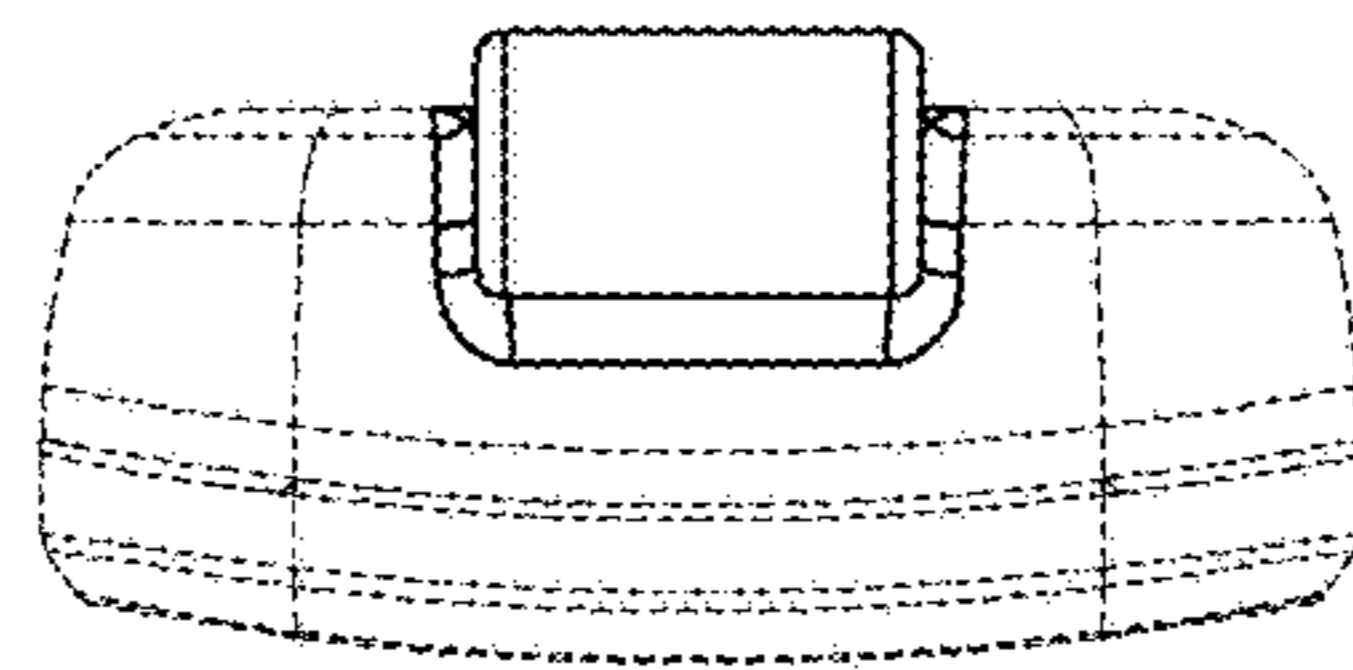


FIG. 7

