

US00D861331S

(12) **United States Design Patent** (10) **Patent No.:** **US D861,331 S**
Appiah (45) **Date of Patent:** **** Oct. 1, 2019**

(54) **MOBILE PHONE CASE**
(71) Applicant: **Kwame Appiah**, Inglewood, CA (US)
(72) Inventor: **Kwame Appiah**, Inglewood, CA (US)
(**) Term: **15 Years**
(21) Appl. No.: **29/656,620**
(22) Filed: **Jul. 13, 2018**
(51) **LOC (12) Cl.** **03-01**
(52) **U.S. Cl.**
USPC **D3/218**
(58) **Field of Classification Search**
USPC D3/218, 219, 215; 224/219, 222, 267,
224/269, 197, 221, 250, 575, 930, 455,
224/165, 257, 682, 170, 176; 206/305,
206/320; 455/575.1, 575.6, 575.8
CPC A45F 5/00; A45F 2003/006; A45F
2005/008; A45F 2200/0516
See application file for complete search history.

D537,623 S * 3/2007 Dennis D3/218
D548,457 S * 8/2007 Reinerio D3/218
D599,108 S * 9/2009 Brandenburg D3/218
D762,375 S * 8/2016 Duarte D3/218
D773,802 S * 12/2016 Morgan D3/218
2001/0035443 A1* 11/2001 Jones A45C 1/04
224/222
2004/0094584 A1* 5/2004 Tabata A45F 5/00
224/221
2007/0095871 A1* 5/2007 Chen A45F 5/00
224/219

* cited by examiner

Primary Examiner — Catherine R Oliver-Garcia
(74) *Attorney, Agent, or Firm* — Fulwider Patton LLP

(57) **CLAIM**

The ornamental design for a mobile phone case, as shown and described.

DESCRIPTION

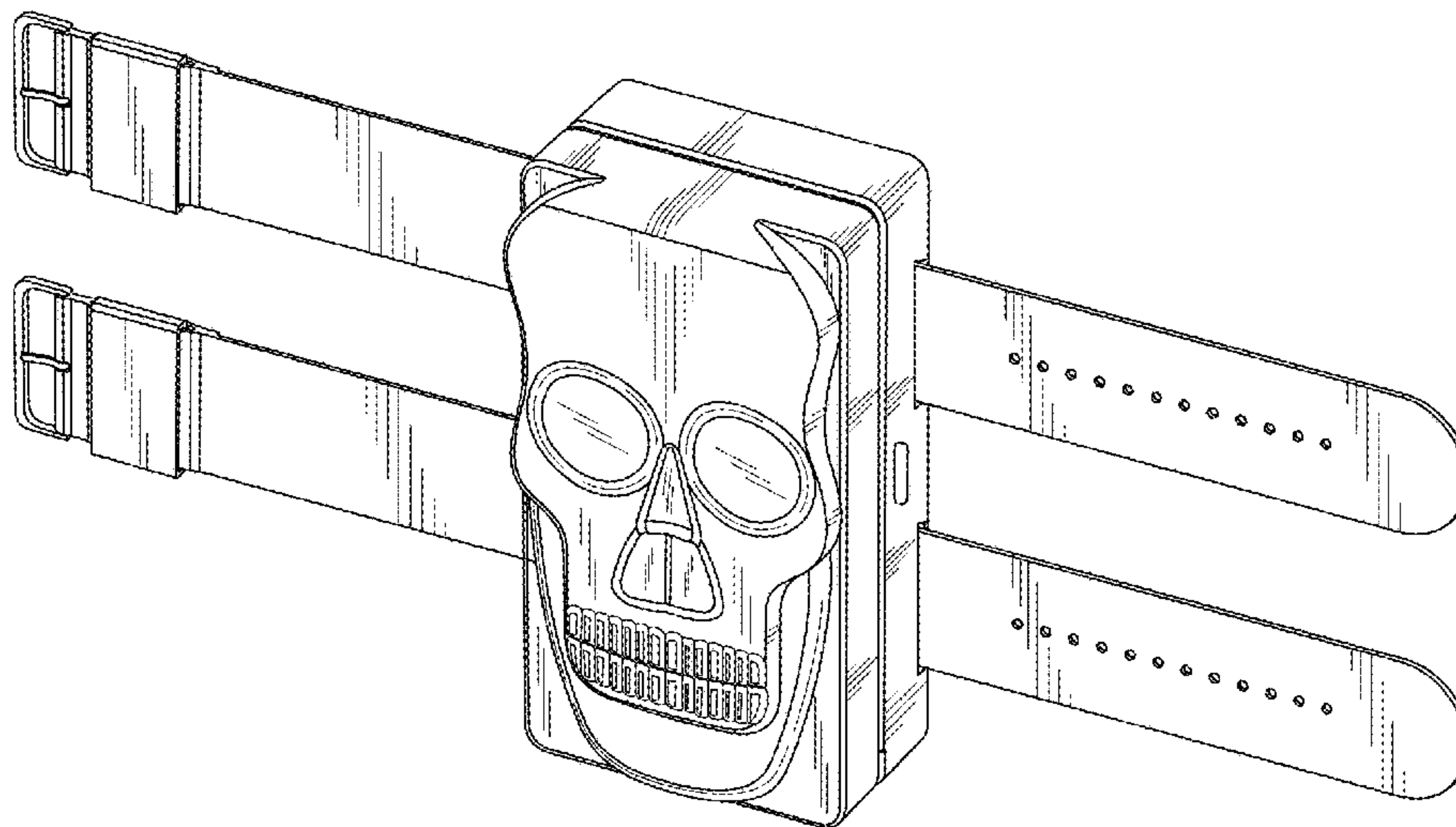
FIG. 1 is a front, top and left side perspective view of a mobile phone case showing the new design;
FIG. 2 is a rear, top and left side perspective view thereof;
FIG. 3 is a front view thereof;
FIG. 4 is a rear view thereof;
FIG. 5 is a top view thereof;
FIG. 6 is a bottom view thereof;
FIG. 7 is a left side view thereof; and,
FIG. 8 is a right side view thereof.

1 Claim, 6 Drawing Sheets

(56) **References Cited**

U.S. PATENT DOCUMENTS

6,629,628 B1 * 10/2003 Canepari A45C 1/04
224/222
D493,279 S * 7/2004 Tabata D3/218
D493,280 S * 7/2004 Tabata D3/218
D503,038 S * 3/2005 Tabata D3/218
D504,224 S * 4/2005 Sexson D3/218
D506,058 S * 6/2005 Sexson D3/218
D536,868 S * 2/2007 Jackson D3/218



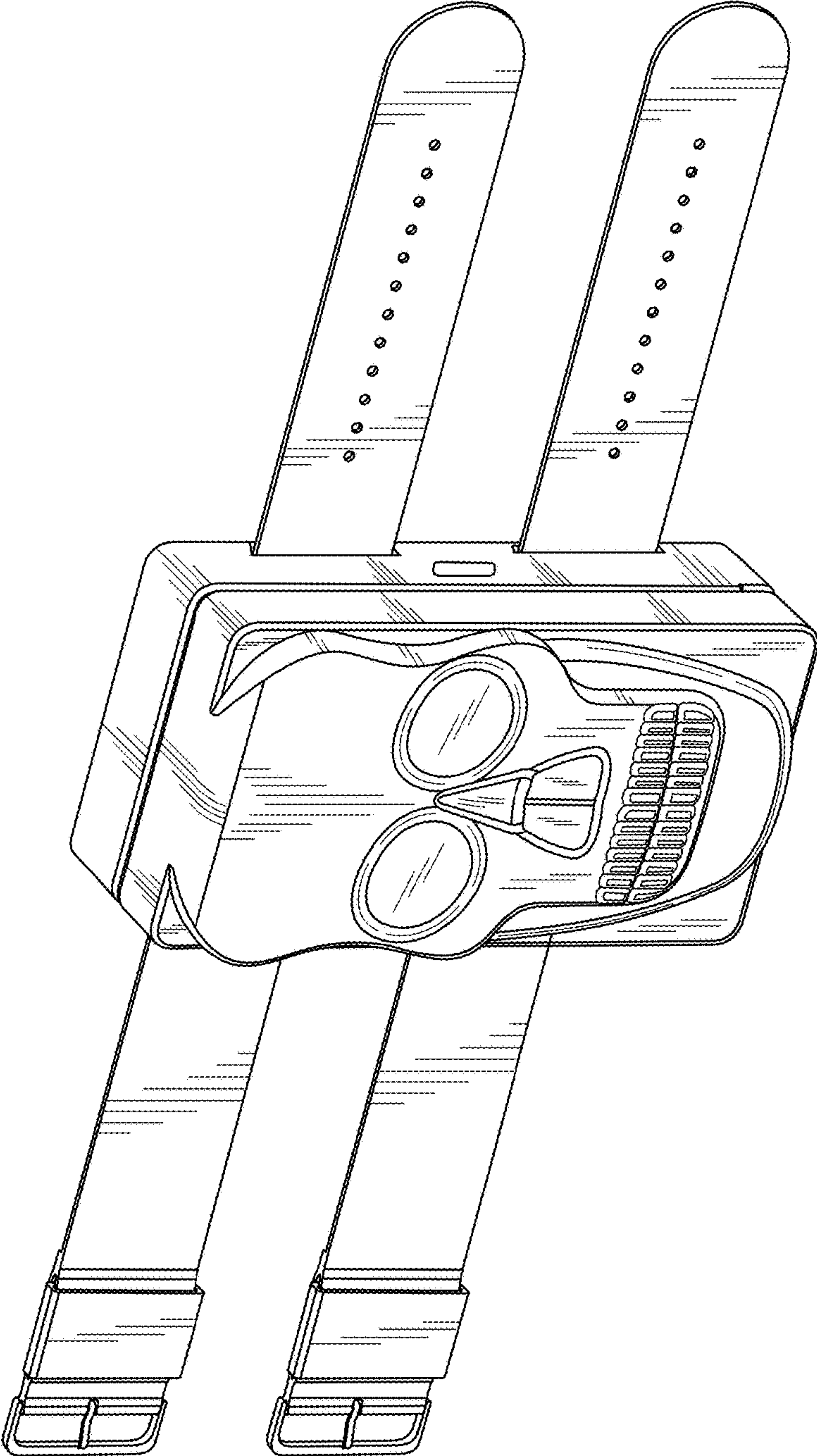


FIG. 1

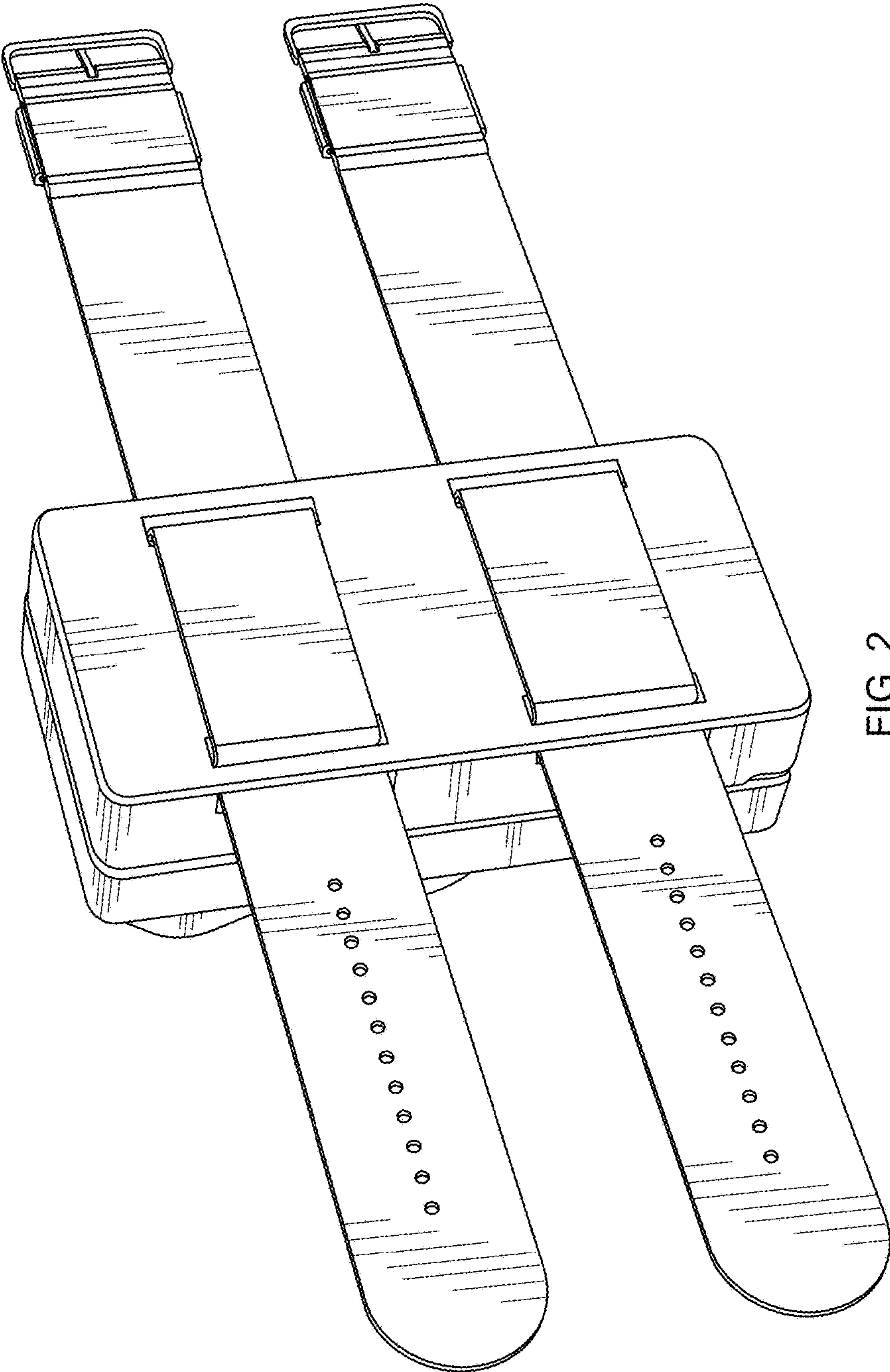


FIG. 2

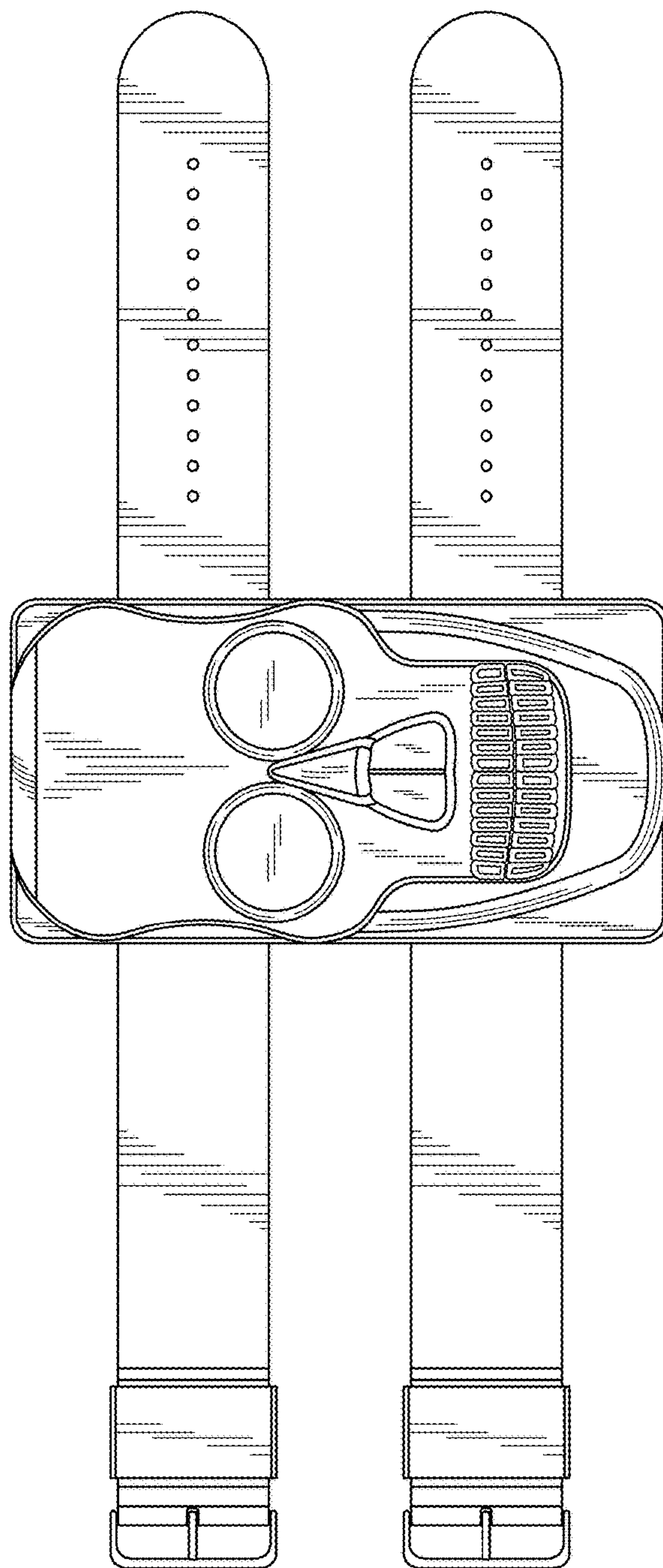


FIG. 3

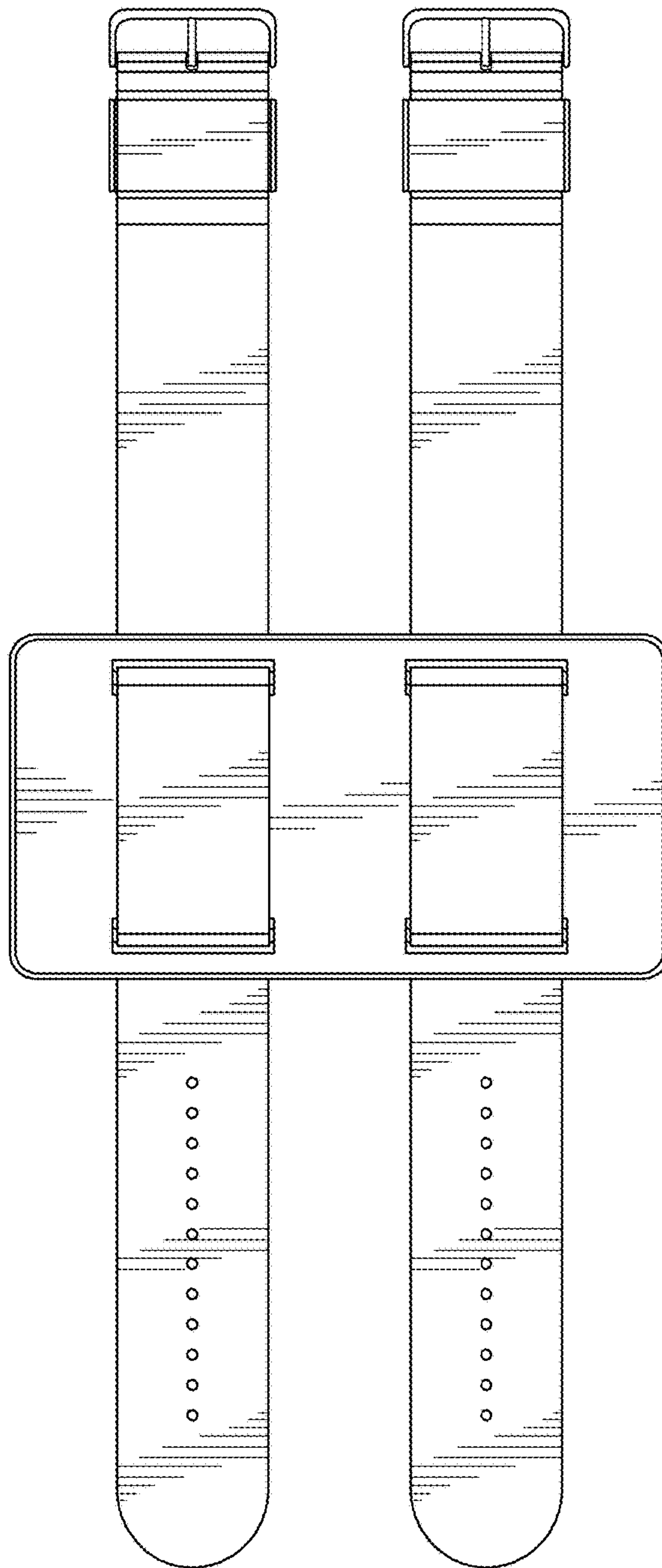


FIG. 4

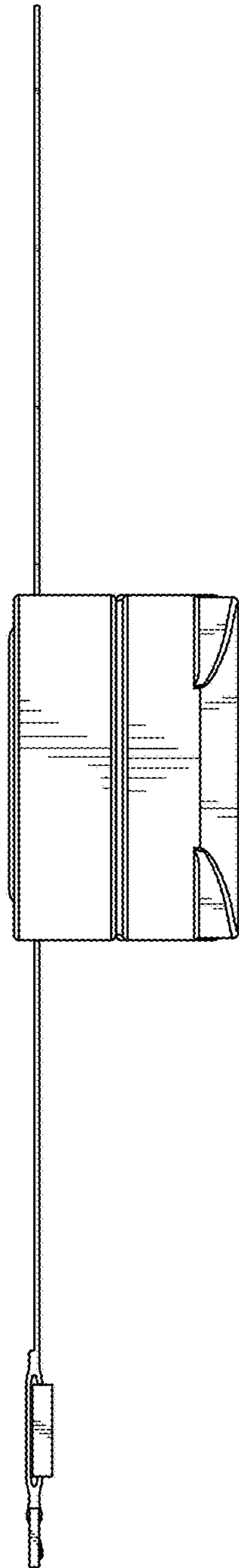


FIG. 5

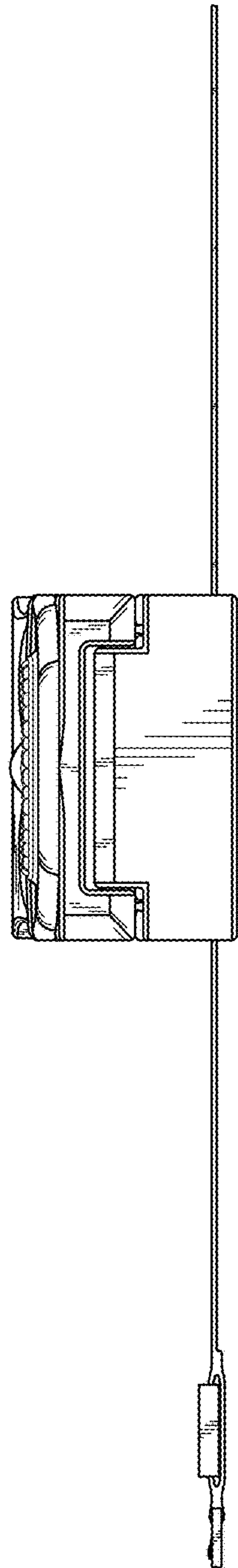


FIG. 6

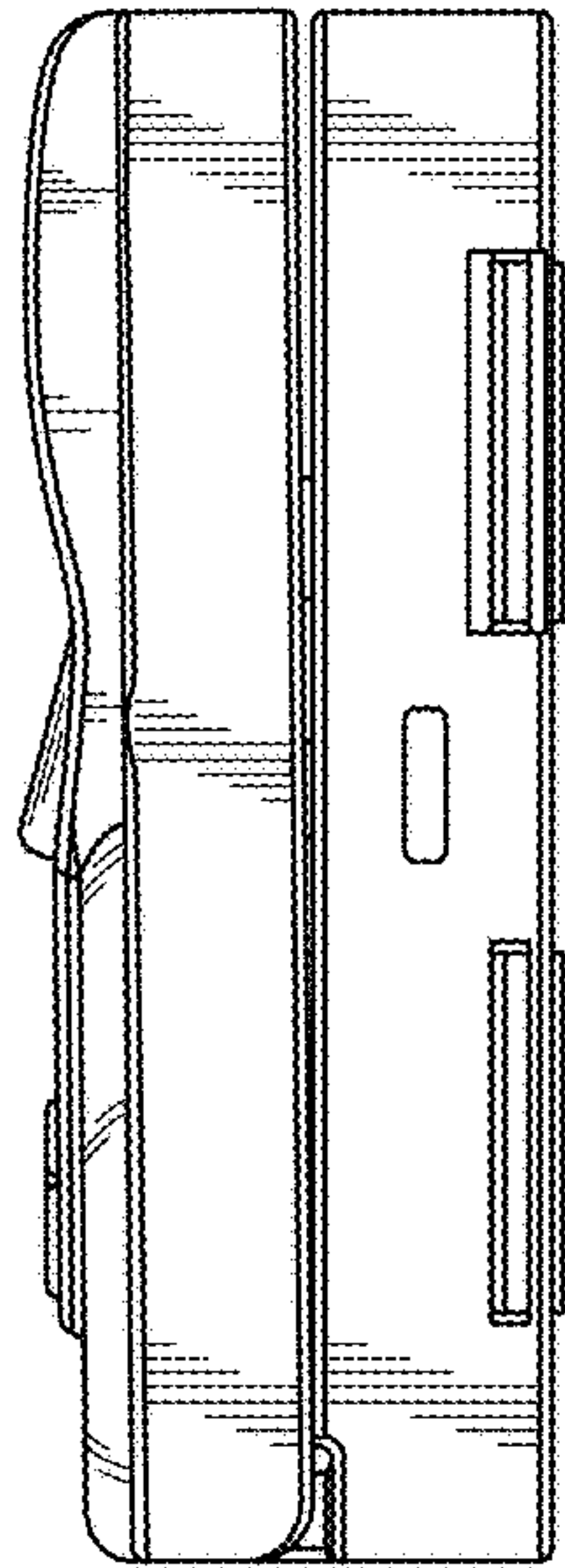


FIG. 7

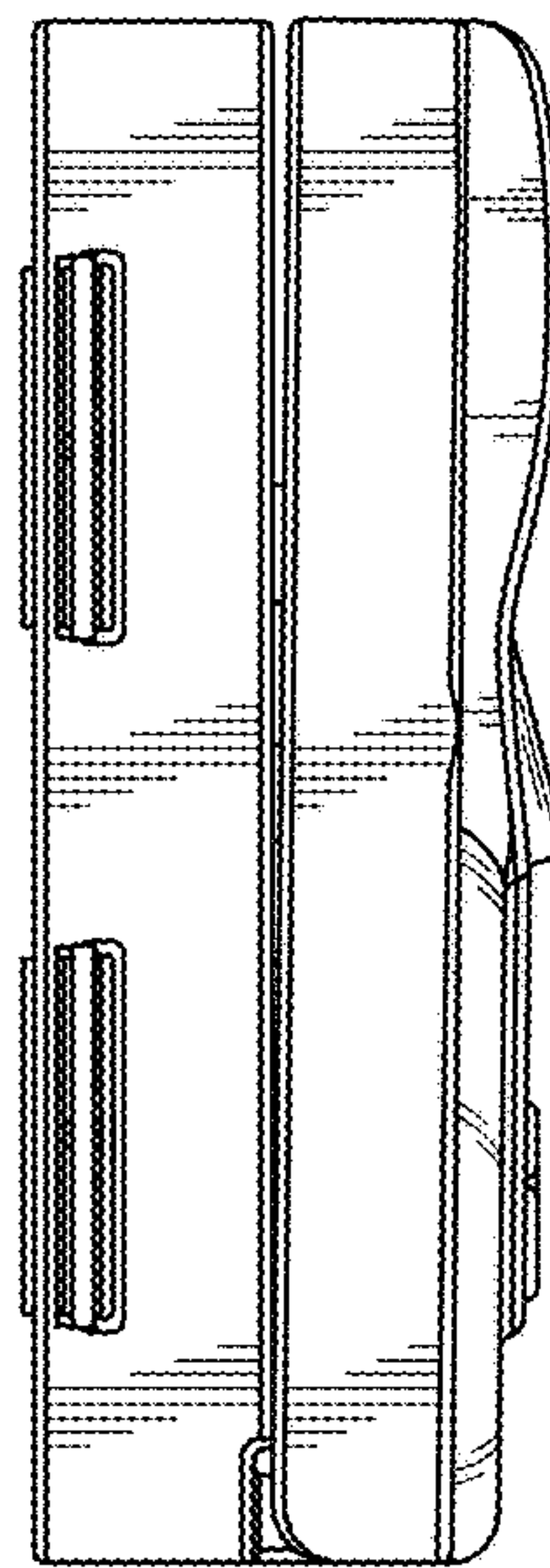


FIG. 8