

US00D861329S

(12) **United States Design Patent** (10) **Patent No.:** **US D861,329 S**
Wei (45) **Date of Patent:** **** Oct. 1, 2019**

(54) **BACKPACK**
(71) Applicant: **Guangzhou Qinhong Leather Co., Ltd.**, Guangzhou (CN)
(72) Inventor: **Dong Wei**, Anhua (CN)
(73) Assignee: **Guangzhou Qinhong Leather Co., Ltd.**, Guangzhou (CN)
(**) Term: **15 Years**
(21) Appl. No.: **29/691,409**
(22) Filed: **May 16, 2019**
(51) **LOC (12) Cl.** **03-01**
(52) **U.S. Cl.**
USPC **D3/217**
(58) **Field of Classification Search**
USPC D3/201, 216, 217, 254, 272, 279, 294
CPC A45F 3/04; A45F 4/02; A45F 2003/045;
A45F 2003/125; A45F 3/02; A45F
2003/127; A45F 3/047; A45F 3/12; A45F
2003/001
See application file for complete search history.

D781,575 S * 3/2017 Etekochoy D3/217
D799,815 S * 10/2017 Tong D3/217
D819,959 S * 6/2018 Choi D3/217
D835,397 S 12/2018 Kawamoto
D843,712 S 3/2019 Richardson et al.
2002/0139820 A1* 10/2002 Godshaw A45F 3/04
224/153
2008/0029562 A1* 2/2008 Hawkins A45F 3/04
224/153
2010/0140307 A1* 6/2010 Almoumen A45F 3/04
224/155

* cited by examiner

Primary Examiner — Jennifer L Watkins

(57) **CLAIM**

The ornamental design for a backpack, as shown and described.

DESCRIPTION

FIG. 1 is a first perspective view of a backpack showing my design;
FIG. 2 is a second perspective view thereof;
FIG. 3 is a front view thereof;
FIG. 4 is a back view thereof;
FIG. 5 is a left side view thereof;
FIG. 6 is a right side view thereof;
FIG. 7 is a top view thereof; and,
FIG. 8 is a bottom view thereof.
The broken lines shown in the drawings depict portions of the backpack in which the design is embodied that form no part of the claimed design.

1 Claim, 8 Drawing Sheets

(56) **References Cited**
U.S. PATENT DOCUMENTS
5,706,992 A * 1/1998 Moor A45F 3/04
190/102
D448,161 S * 9/2001 Holodnicki D3/216
D562,551 S * 2/2008 Liu
D699,944 S * 2/2014 Mather D3/216
D714,541 S * 10/2014 Anderson D3/217
D758,715 S * 6/2016 Daniel D3/217





FIG. 1

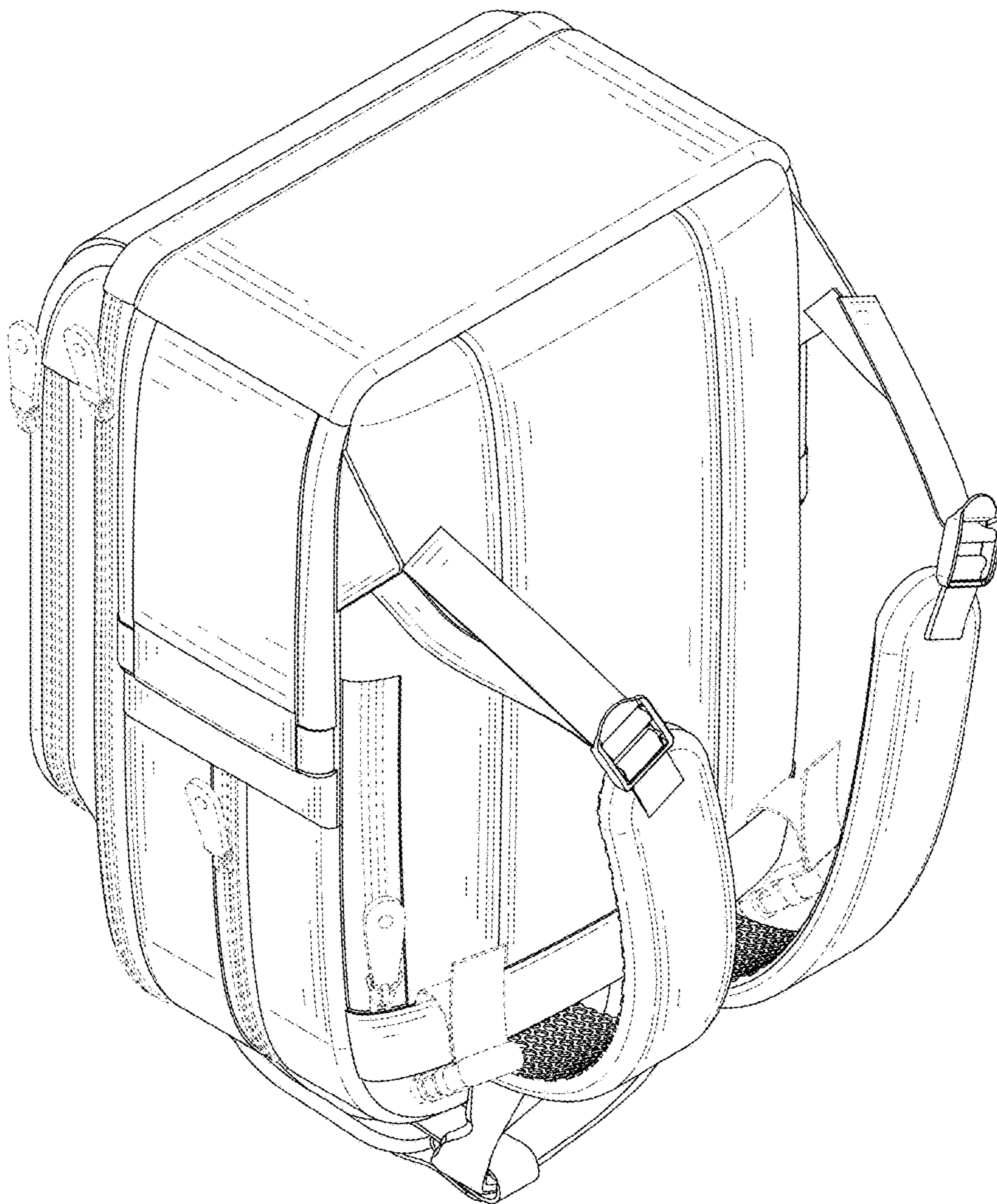


FIG. 2

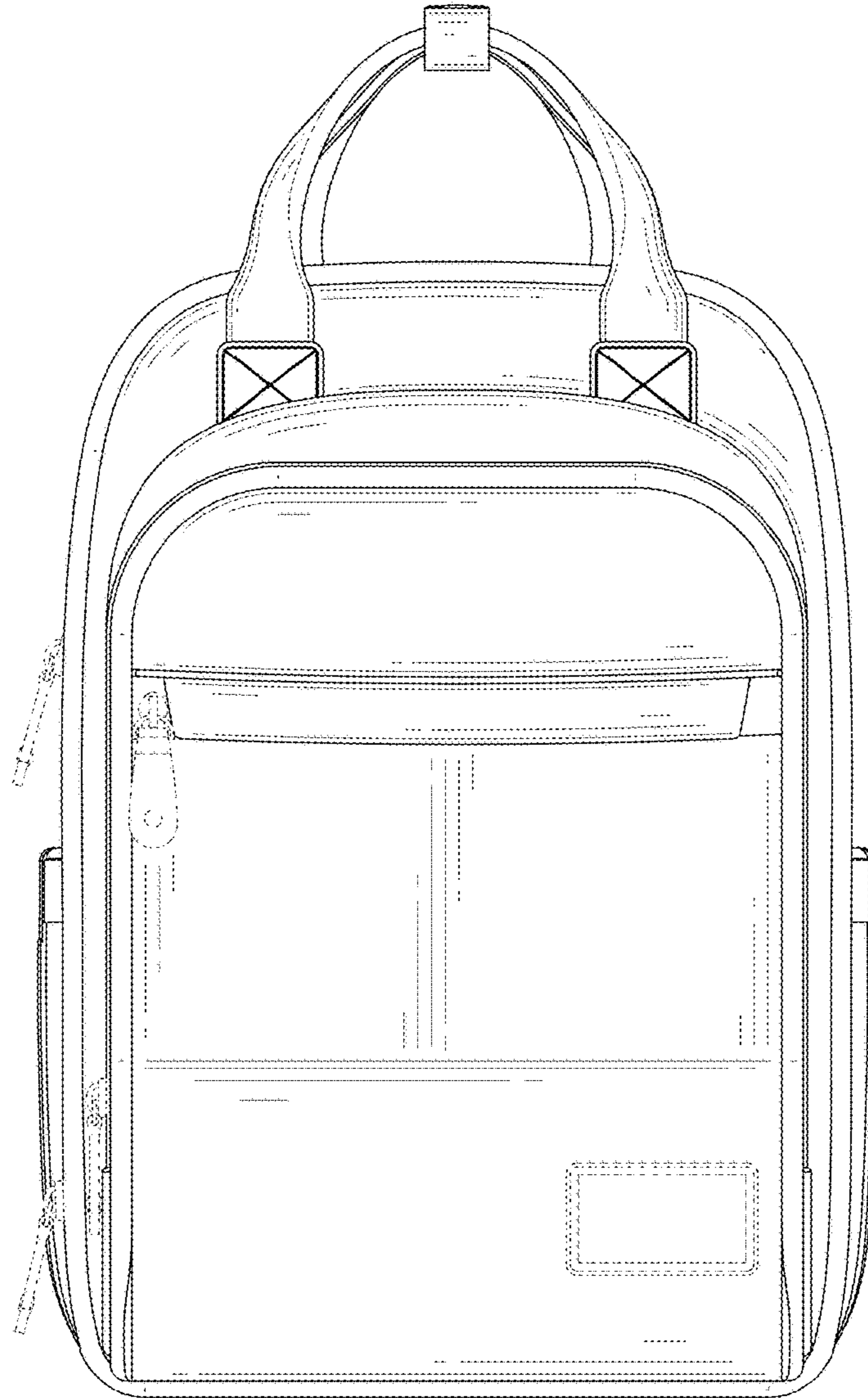


FIG. 3

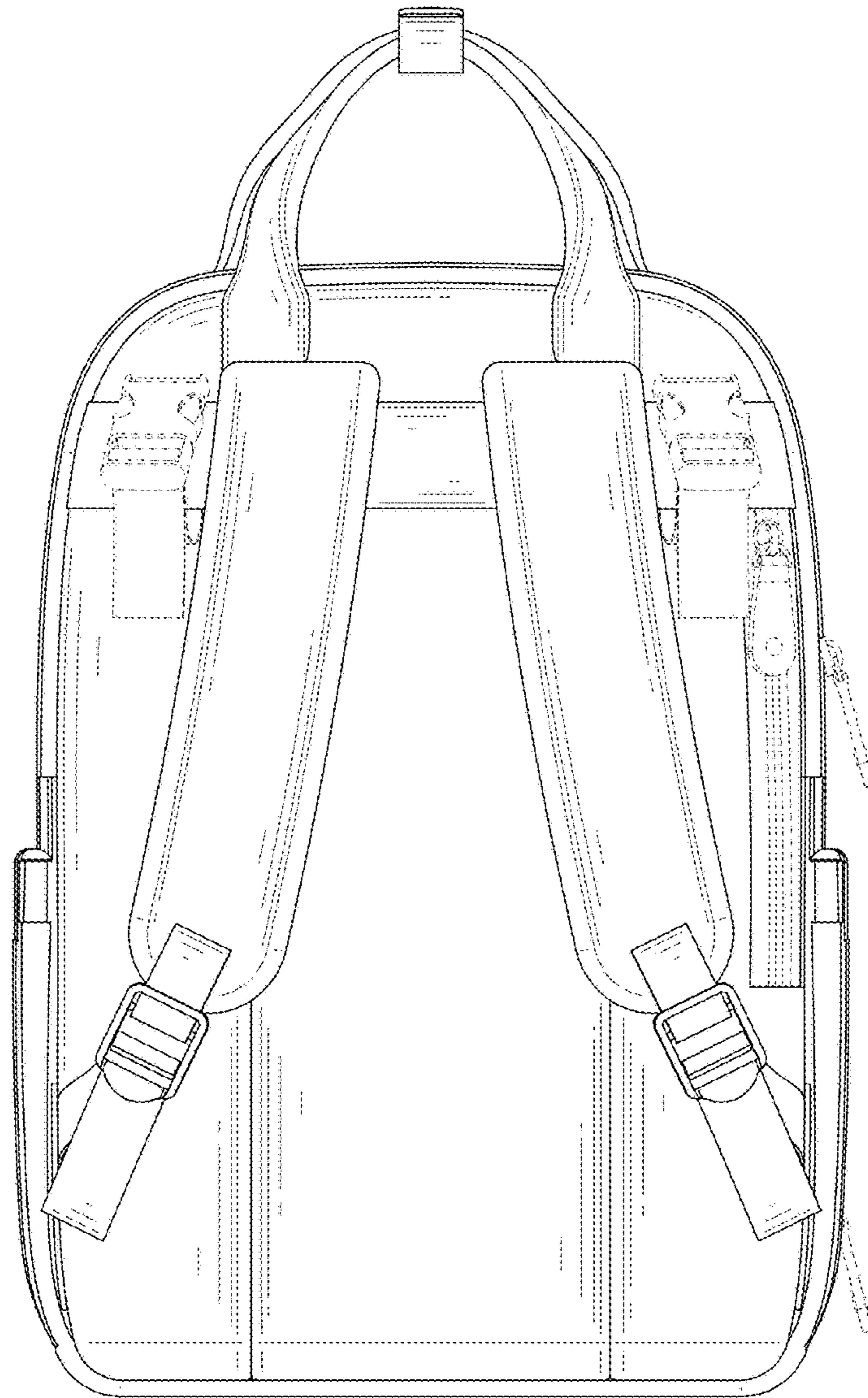


FIG. 4

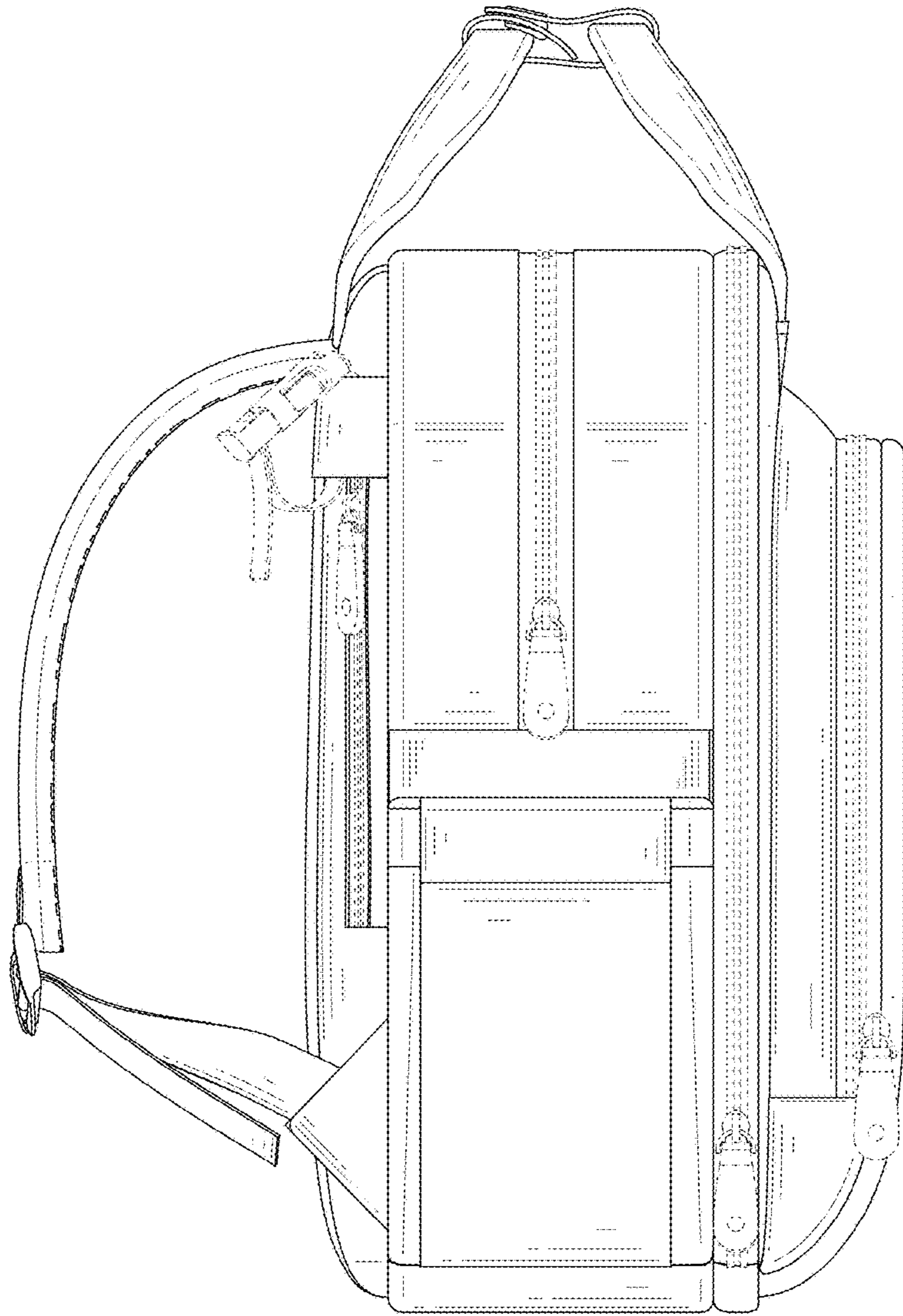


FIG. 5

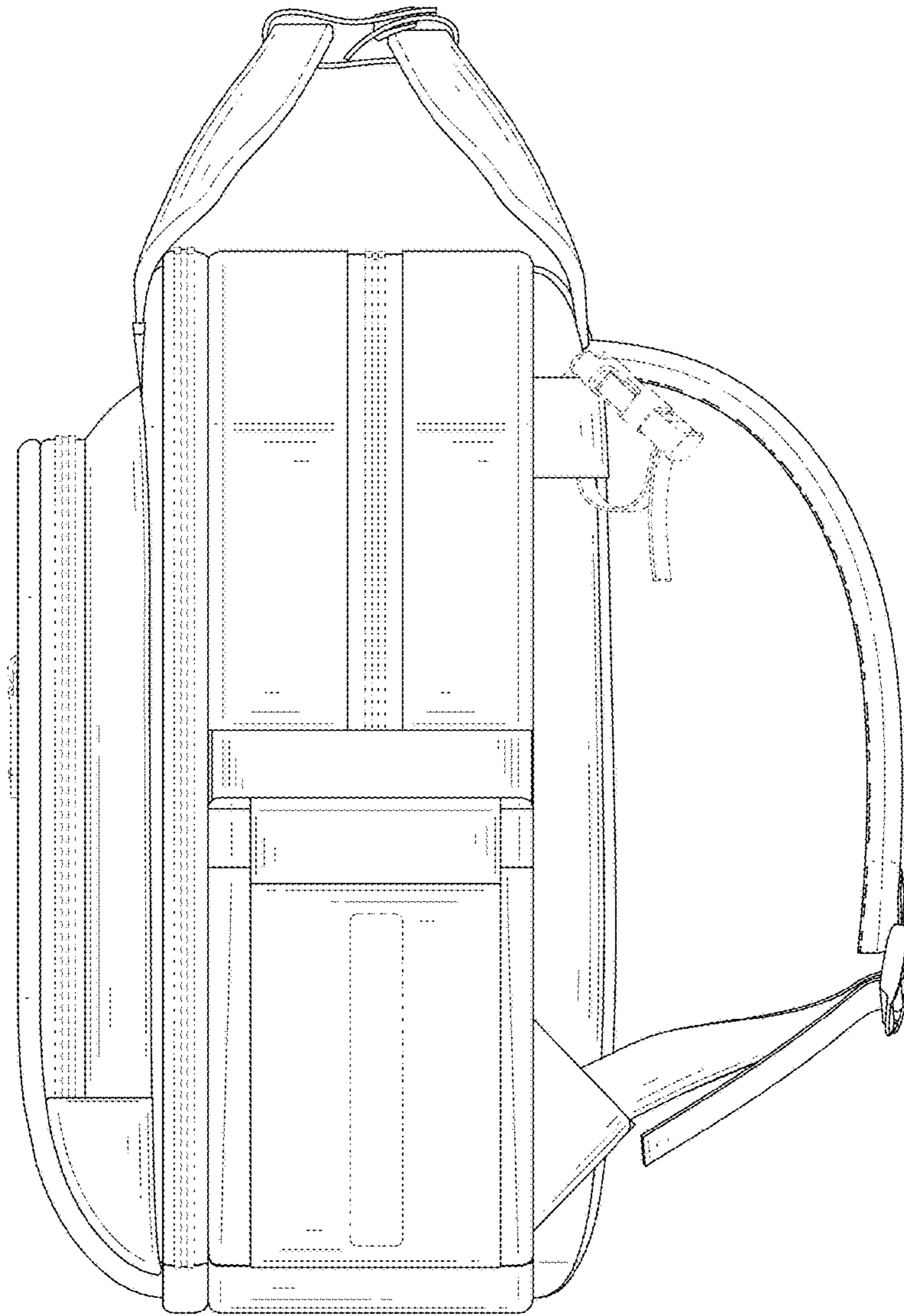


FIG. 6

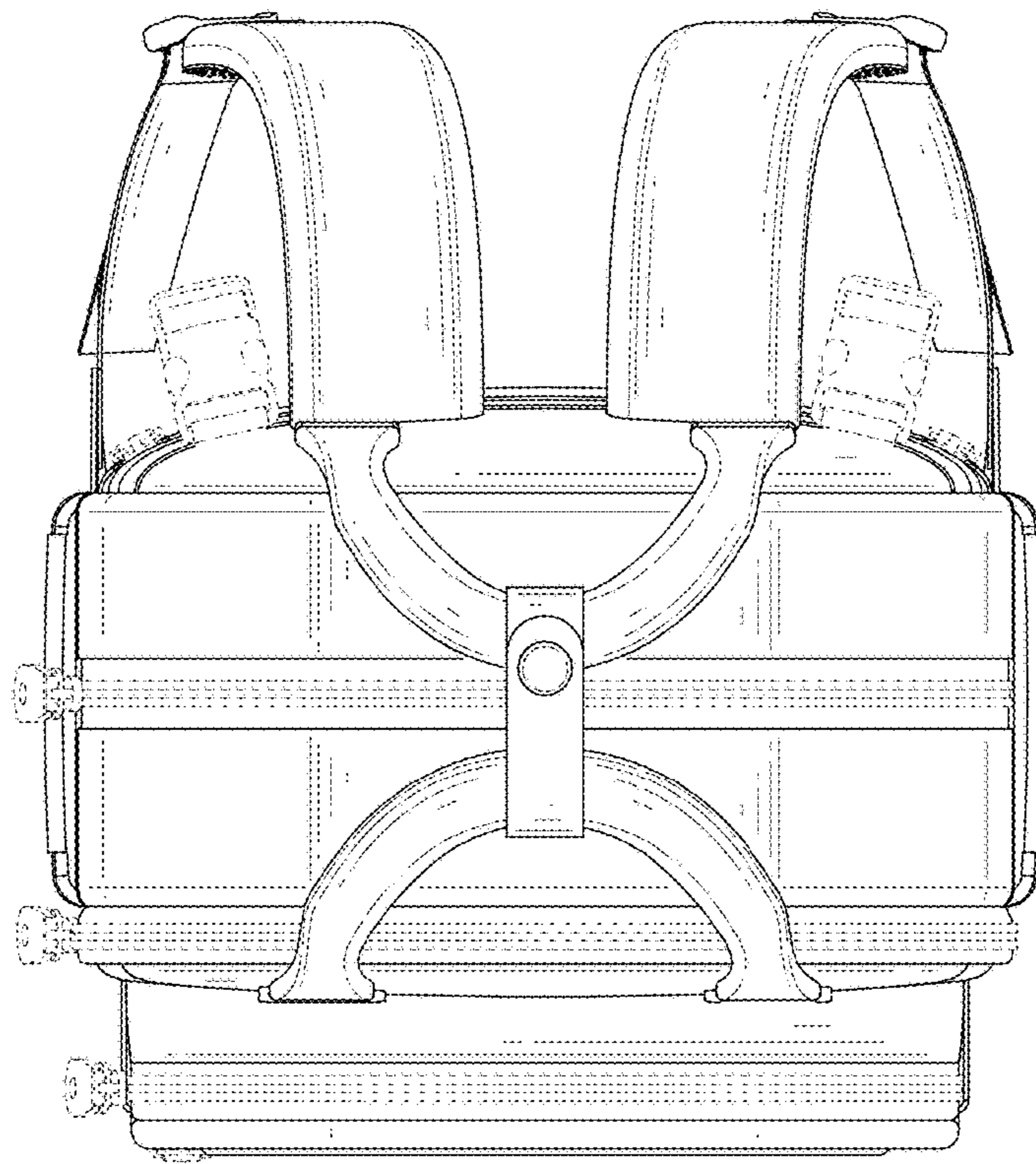


FIG. 7

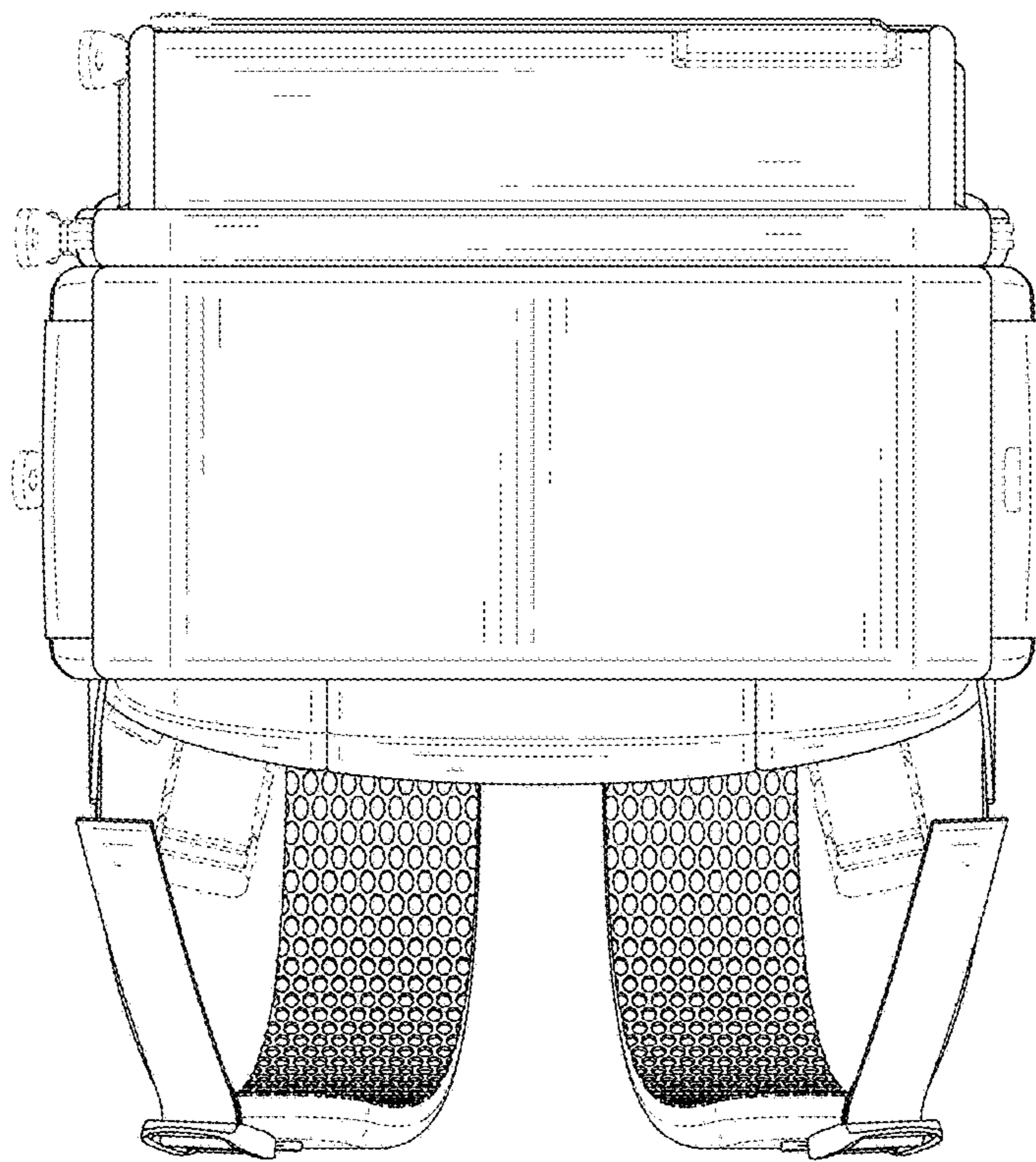


FIG. 8