



US00D861325S

(12) **United States Design Patent**
Chen et al.

(10) **Patent No.:** **US D861,325 S**
(45) **Date of Patent:** **** Oct. 1, 2019**

- (54) **BAG**
- (71) Applicant: **Dollar Shave Club, Inc.**, Marina Del Rey, CA (US)
- (72) Inventors: **Pelun Chen**, Marina Del Rey, CA (US); **Donny Smith**, Marina Del Rey, CA (US); **Ben Berry**, Marina Del Rey, CA (US); **Shasta Blaustein**, Marina Del Rey, CA (US)
- (73) Assignee: **Dollar Shave Club, Inc.**, Marina Del Rey, CA (US)
- (**) Term: **15 Years**
- (21) Appl. No.: **29/603,493**
- (22) Filed: **May 10, 2017**
- (51) **LOC (12) Cl.** **03-01**
- (52) **U.S. Cl.**
USPC **D3/205; D3/298**
- (58) **Field of Classification Search**
USPC D3/200, 201, 205, 206, 232, 254, 276, D3/289, 290, 301, 315-317; 190/115, 190/100, 903; 206/581, 228
CPC A45C 13/02; A45C 13/103; A45C 3/00; A45C 11/38; A45C 9/00; A45C 11/00; A45C 11/008; A45C 11/26; A45C 2011/007; Y10S 190/903; A45D 44/18; B65D 33/06
See application file for complete search history.

- (56) **References Cited**
U.S. PATENT DOCUMENTS
4,842,032 A * 6/1989 Mastronardo A45C 3/00 150/113
5,117,883 A * 6/1992 Chen A45C 3/00 150/118
D509,959 S * 9/2005 Nykoluk D3/289
D510,657 S * 10/2005 Fonfeder D3/206
D588,799 S * 3/2009 Garland D3/205

- D634,932 S * 3/2011 Sabounjian D3/299
 - D698,150 S * 1/2014 Sabounjian D3/285
 - D762,385 S * 8/2016 Horner D3/285
- (Continued)

FOREIGN PATENT DOCUMENTS

GB 6001448 * 10/2016

OTHER PUBLICATIONS

The DSC Traveler Bag | Dollar Shave Club, available Nov. 14, 2016, [online], [site visited Apr. 28, 2019]. Video available from internet, URL: <https://www.youtube.com/watch?v=dyTvXnTtigM> (Year: 2016).*

(Continued)

Primary Examiner — Cathron C Brooks
Assistant Examiner — W. A. Teddy Falloway
(74) *Attorney, Agent, or Firm* — DLA Piper LLP (US)

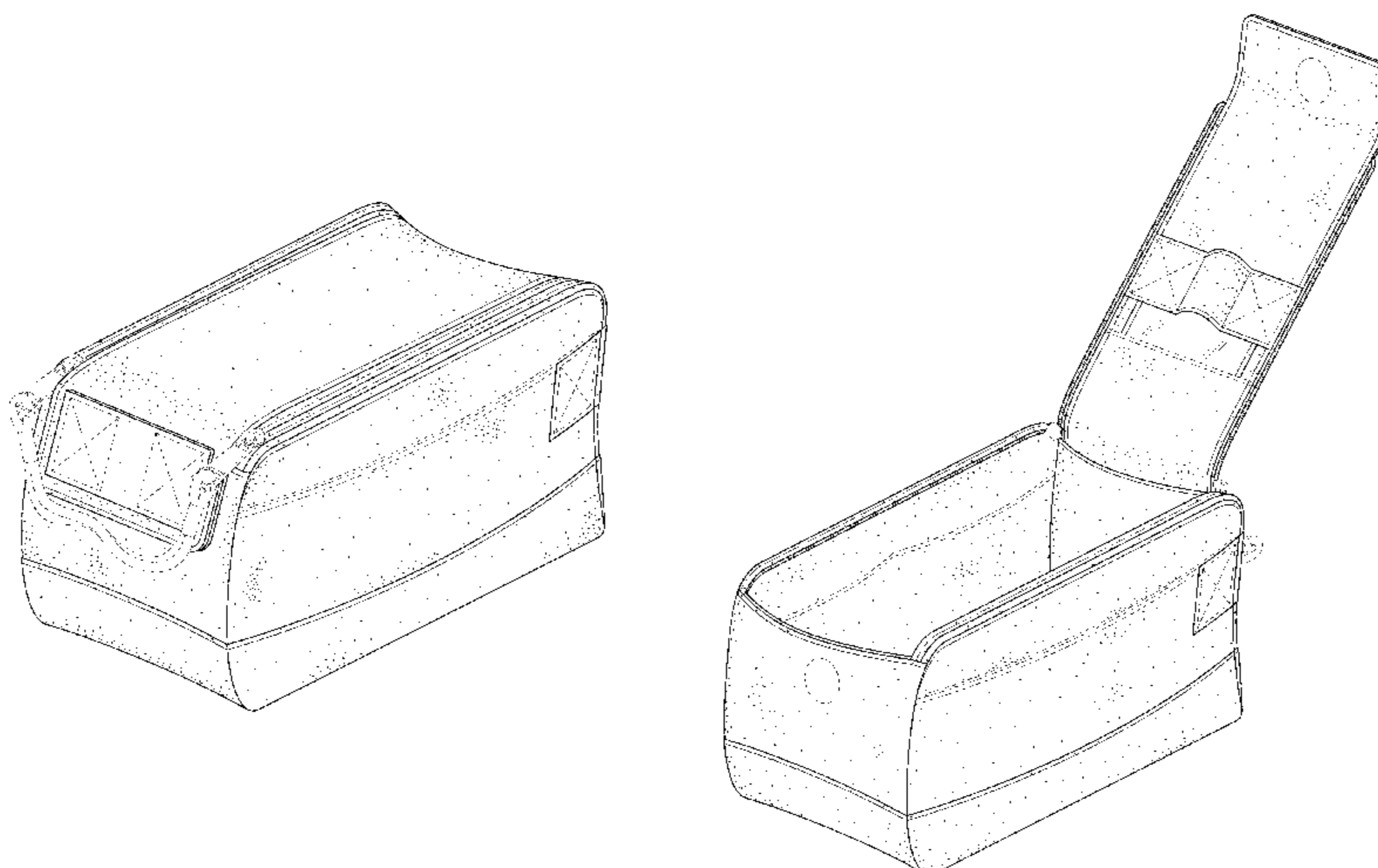
(57) **CLAIM**

We claim the ornamental design for a bag, as shown and described.

DESCRIPTION

FIG. 1 is a perspective view of a bag showing our new design;
FIG. 2 is a front elevational view thereof;
FIG. 3 is a rear elevational view thereof;
FIG. 4 is a side elevational view thereof;
FIG. 5 is an elevational view of the other side thereof;
FIG. 6 is a top plan view thereof;
FIG. 7 is a bottom plan view thereof;
FIG. 8 is a perspective view from the top left side of the bag with its top flap open; and,
FIG. 9 is a perspective view from the right side of the bag with its top flap open.
All broken lines are directed to environment and are for illustrative purposes only; the broken lines form no part of the claimed design.

1 Claim, 7 Drawing Sheets



(56)

References Cited

U.S. PATENT DOCUMENTS

D816,984 S * 5/2018 Jusic D3/205
2008/0210727 A1 * 9/2008 Gallaway A45C 13/02
224/575

OTHER PUBLICATIONS

Dakine Groomer Medium Dopp Kit, available Sep. 11, 2018, [online], [site visited Apr. 28, 2019]. Available from internet, URL: <https://www.tactics.com/dakine/groomer-medium-dopp-kit/tamarindo> (Year: 2018).*

SwissGear Toiletry Bag—Gray, available Apr. 28, 2018, [online], [site visited Apr. 28, 2019]. Available from internet, URL: <https://www.target.com/p/swissgear-toiletry-bag-gray/-/A-52890852> (Year: 2018).*

Men's Travel Toiletry Bag Dopp Kit, available Nov. 18, 2018, [online], [site visited Apr. 28, 2019]. Available from internet, URL: https://www.amazon.com/Mens-Travel-Toiletry-Bag-Dopp/dp/B07MBHC61D/ref=pd_sbs_194_5/145-8315067-2498453?_encoding=UTF8&pd_rd_i=B07JJ2VRVB&pd (Year: 2018).*

* cited by examiner

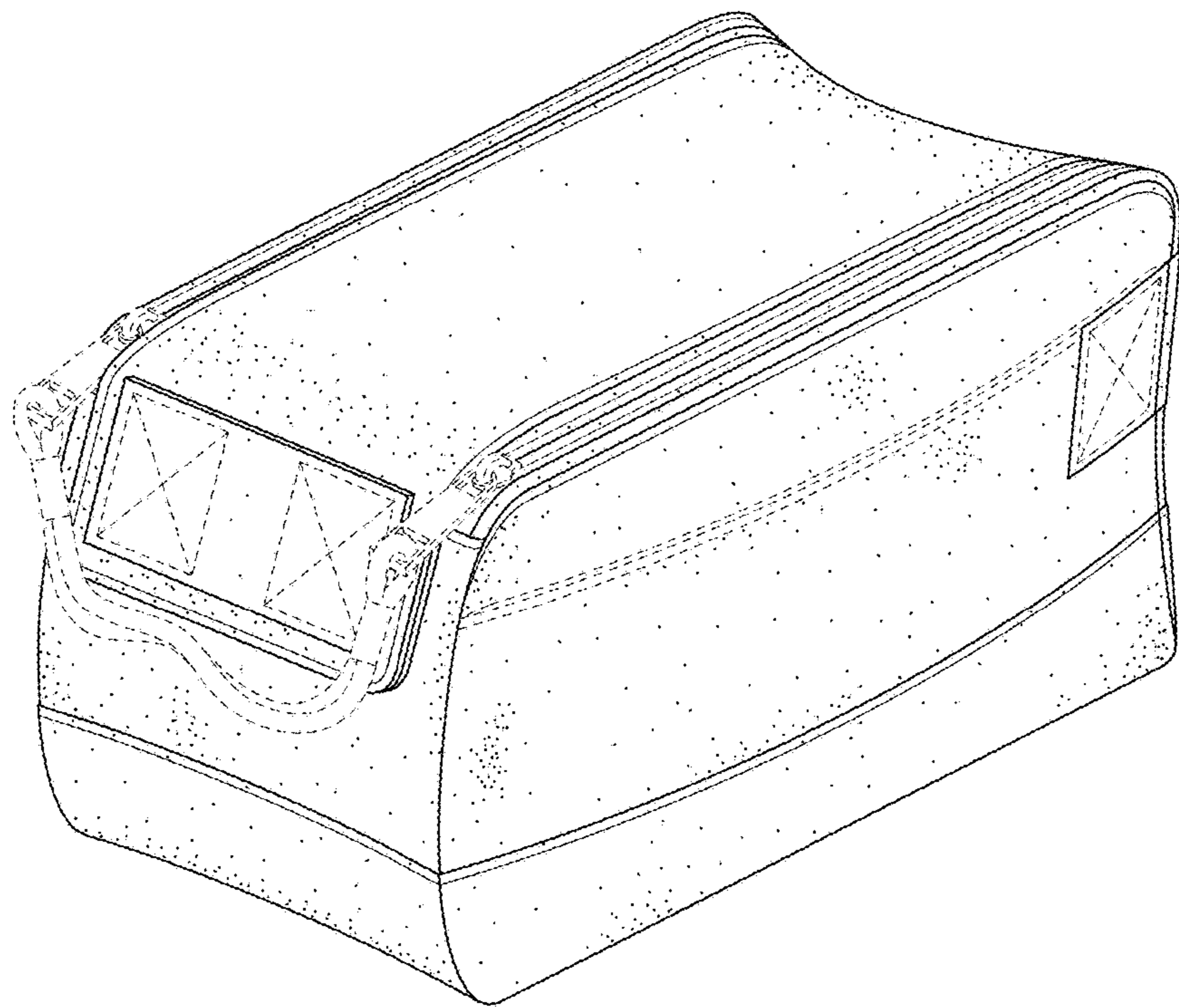


Fig. 1

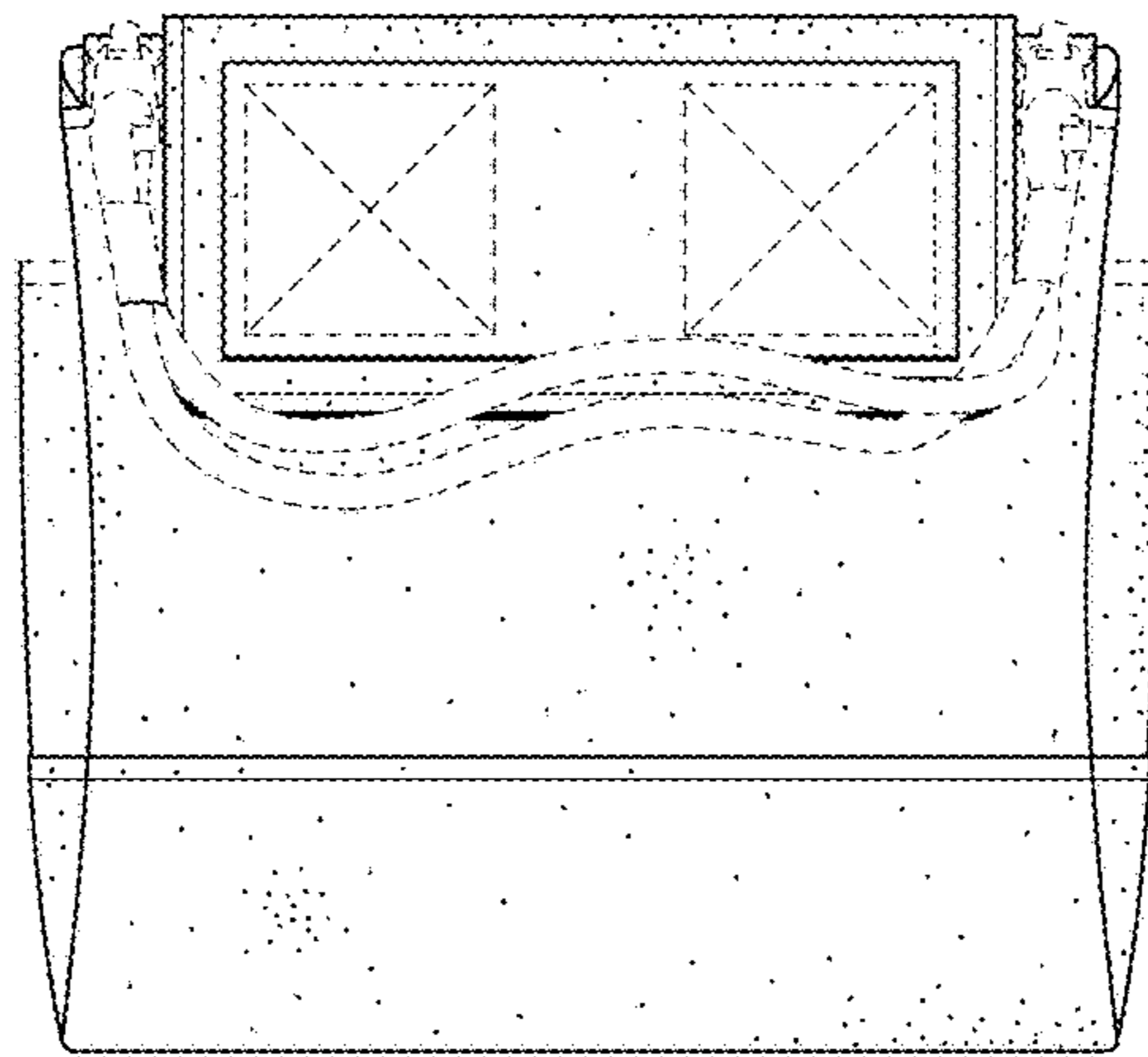


Fig. 2

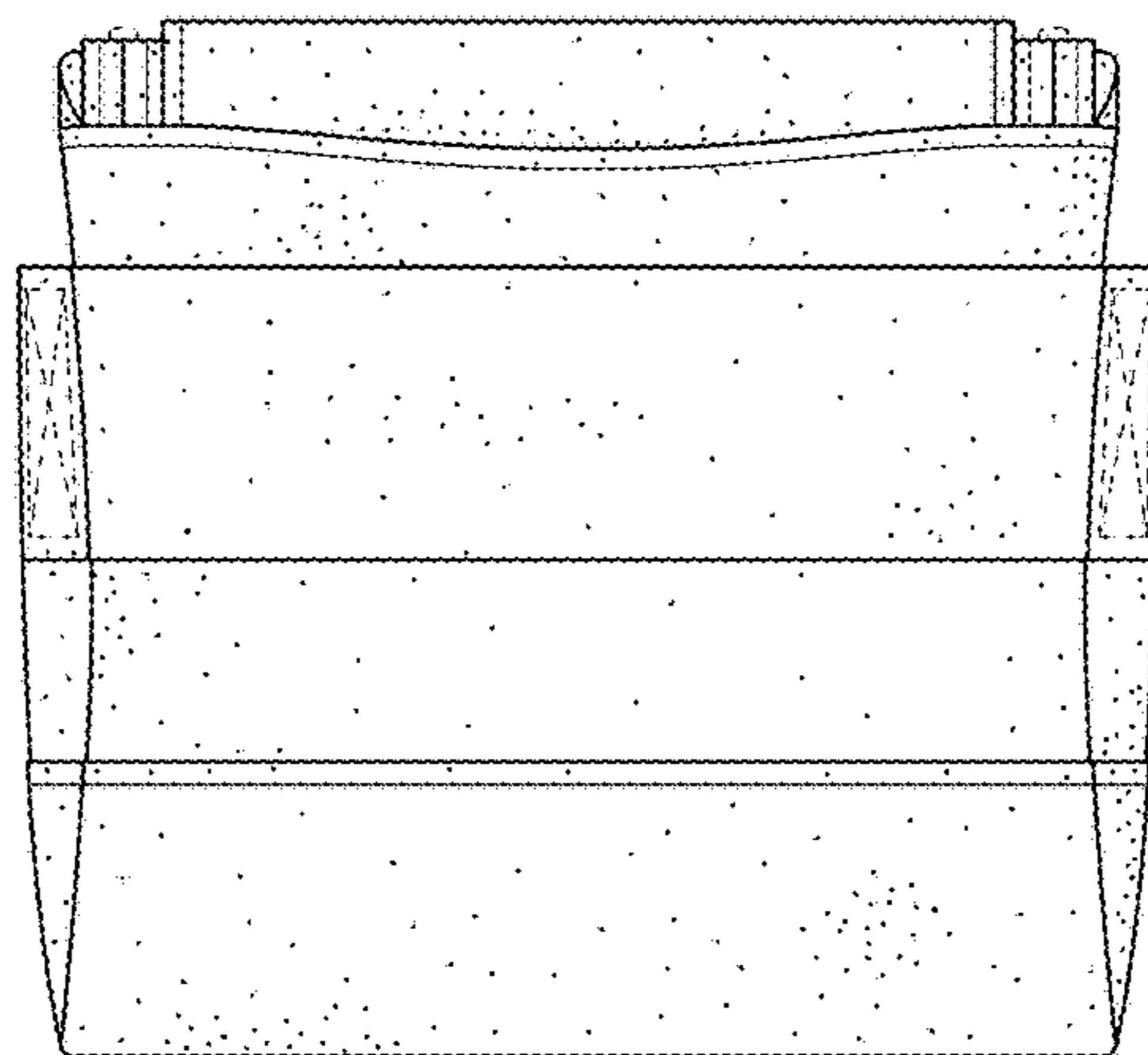


Fig. 3

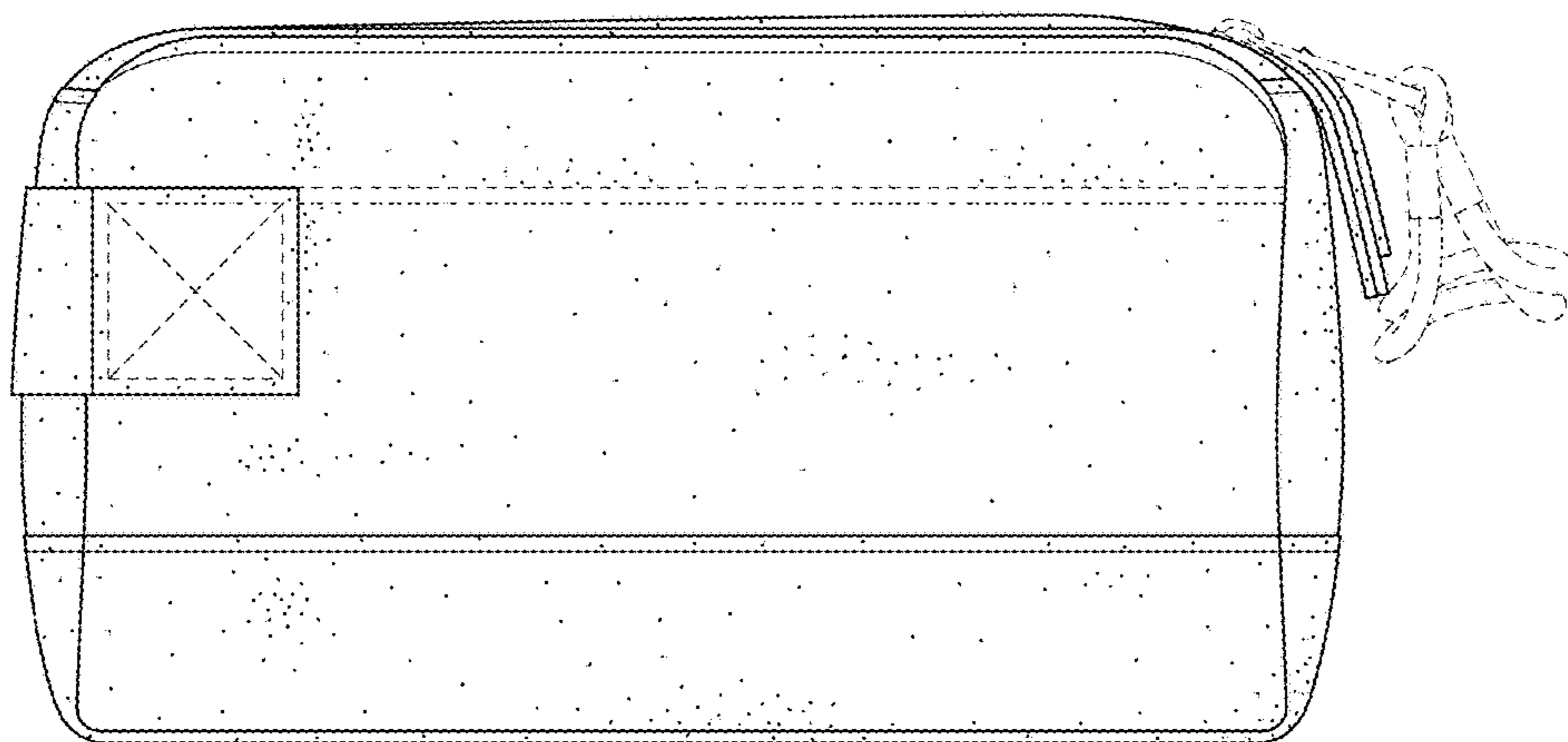


Fig. 4

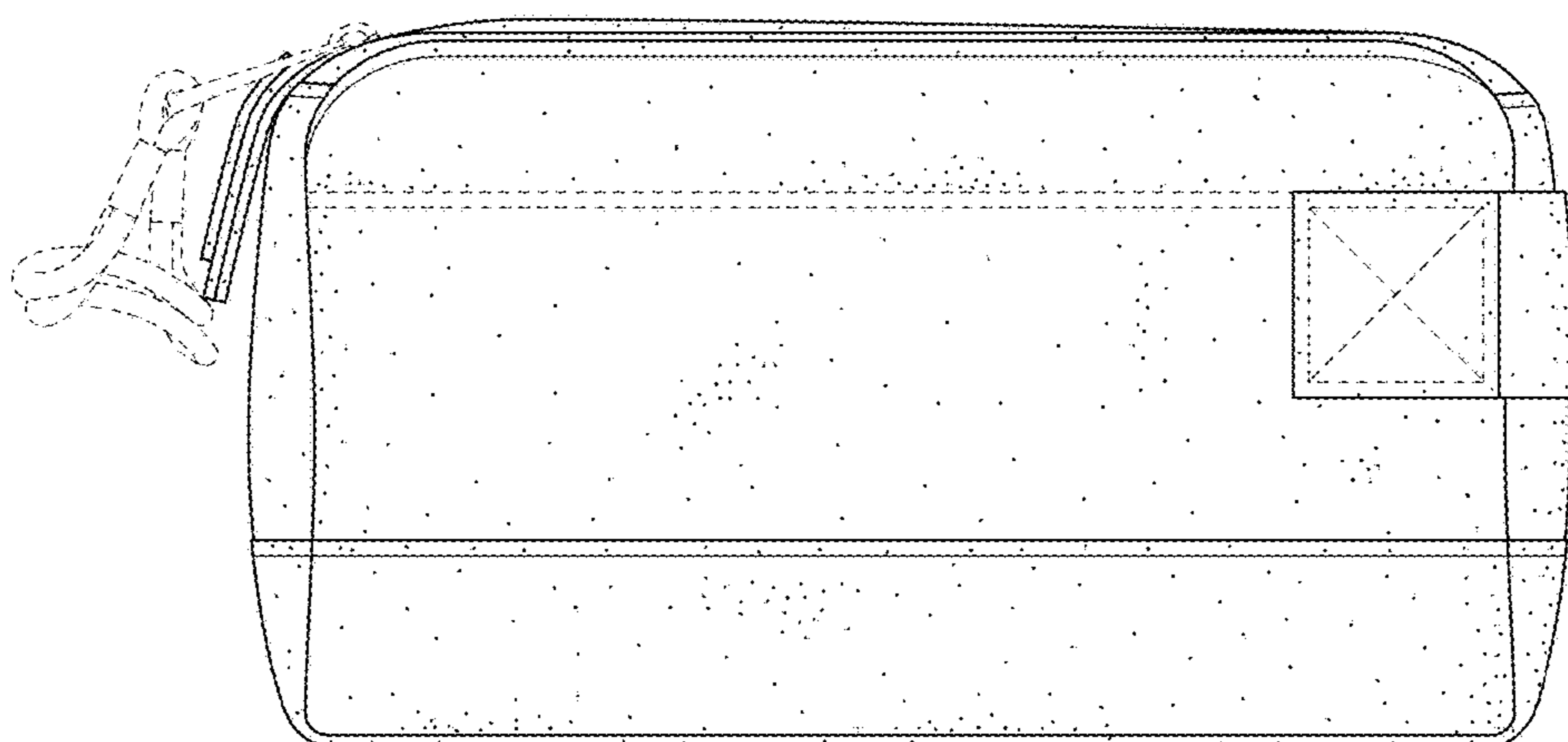


Fig. 5

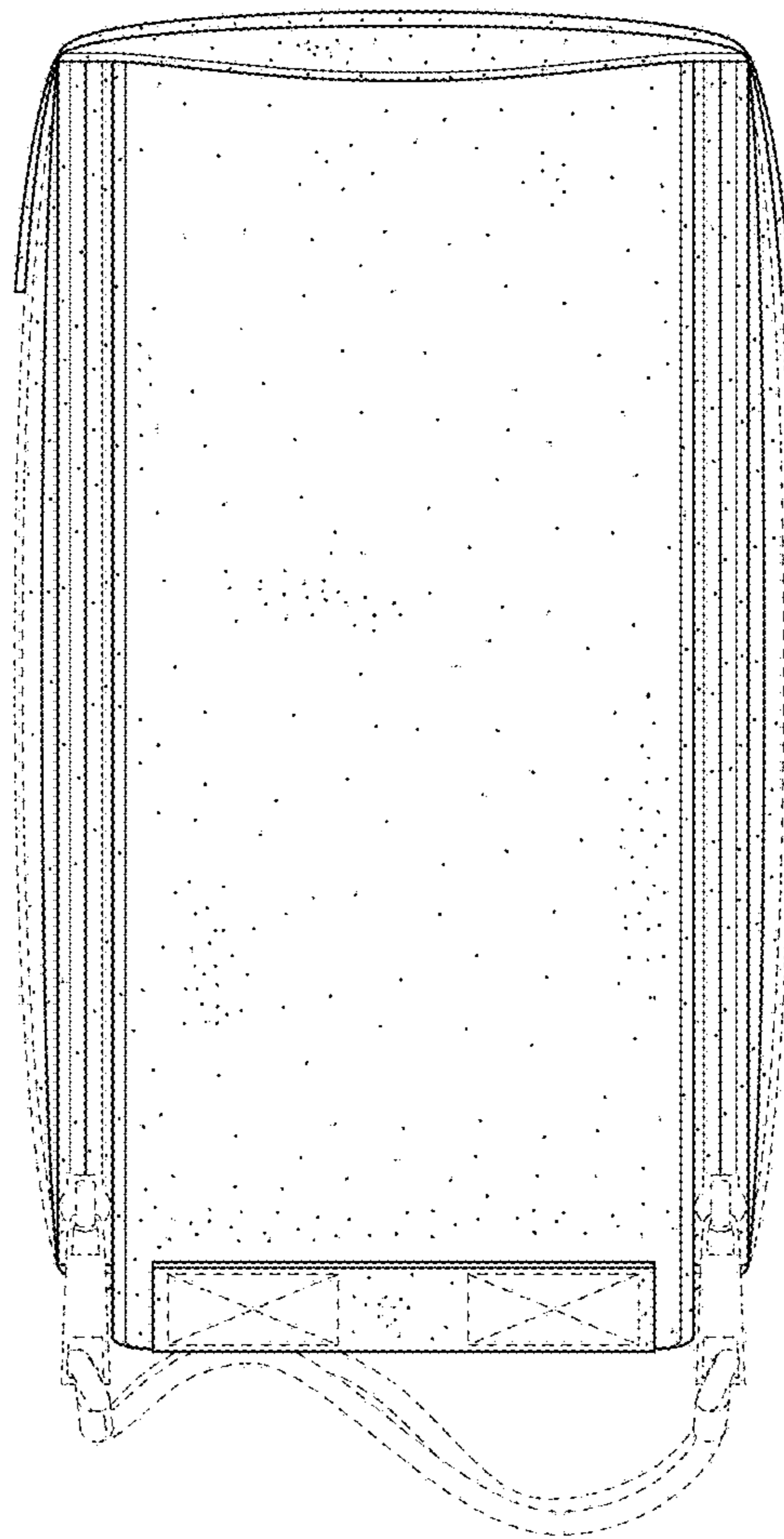


Fig. 6

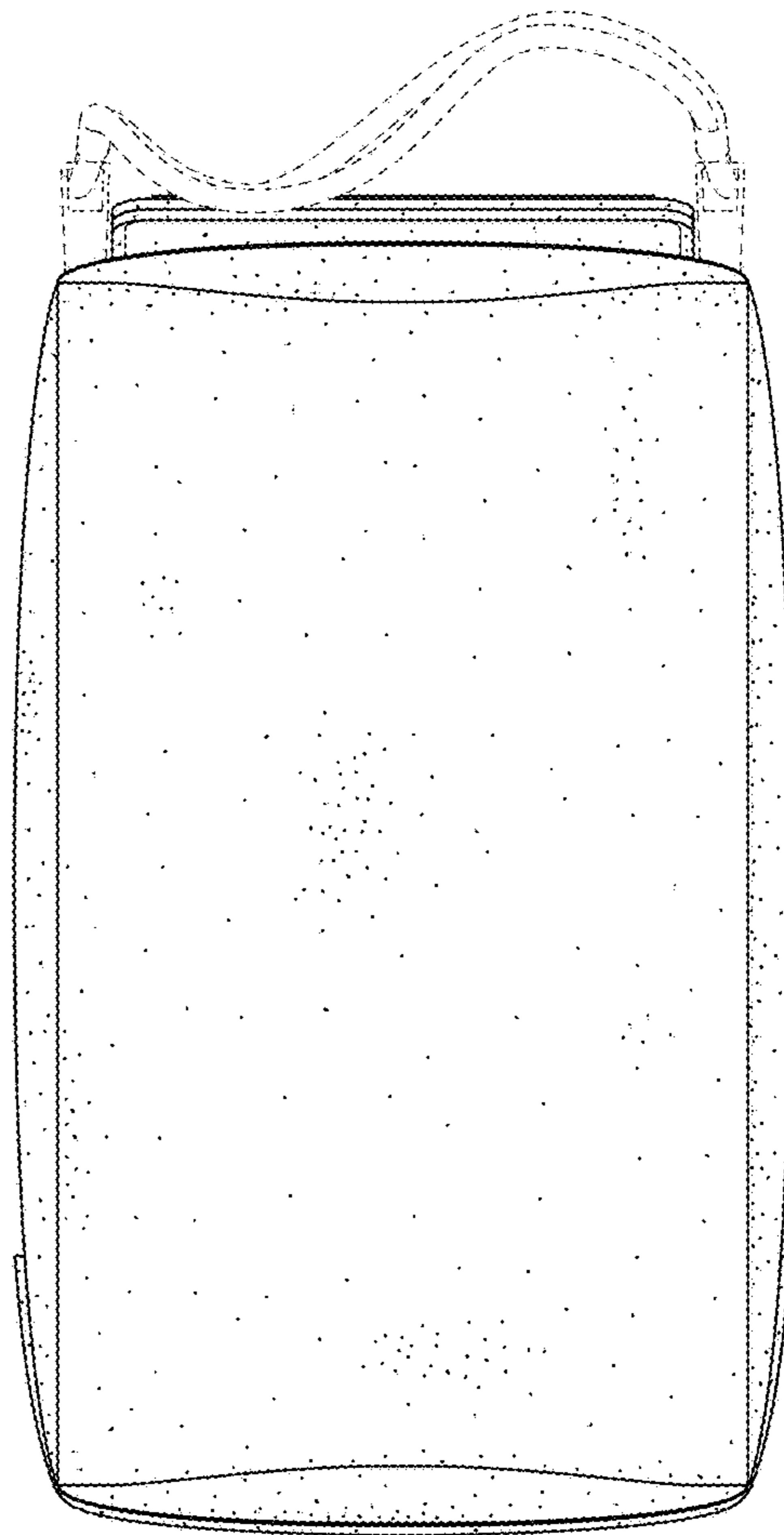


Fig. 7

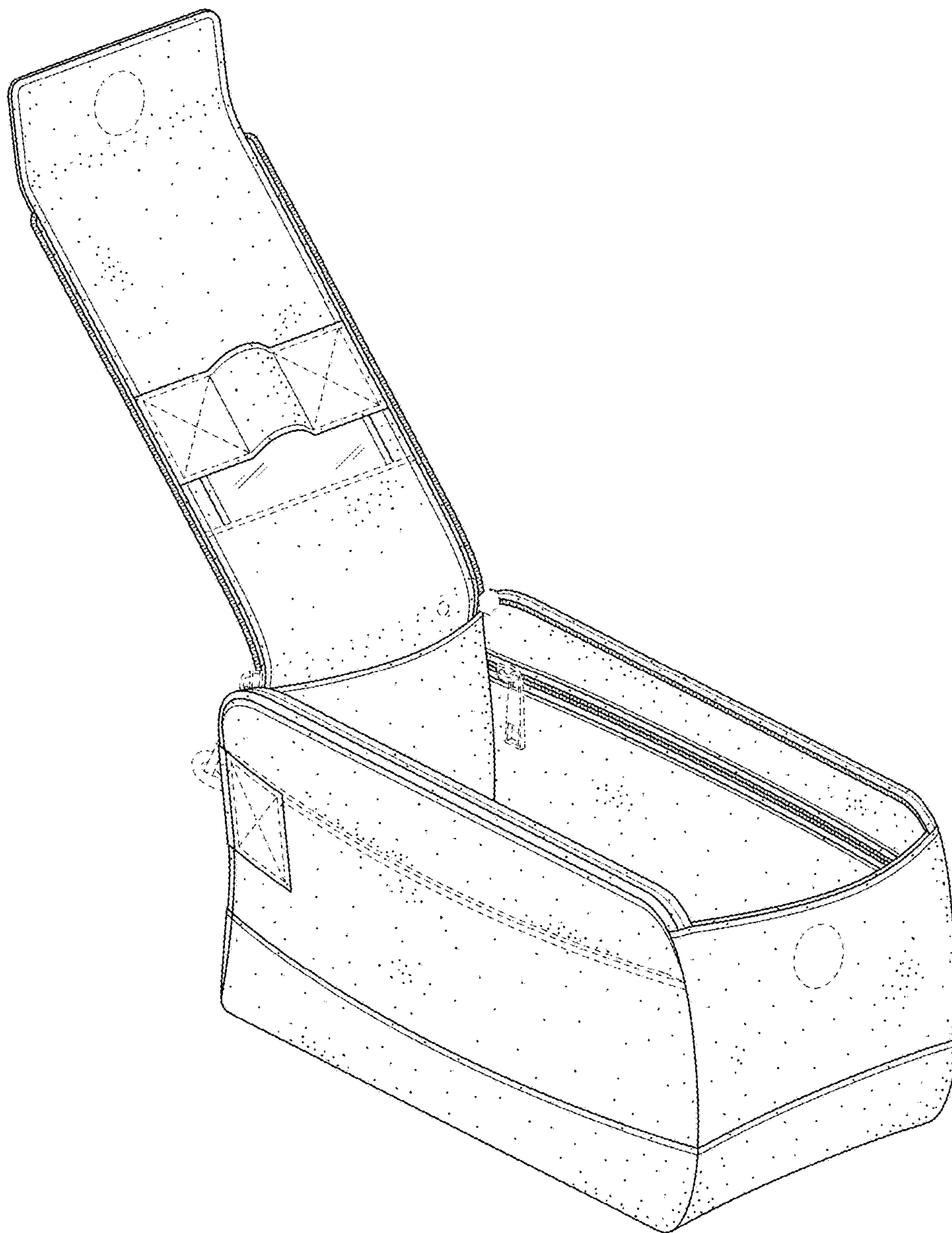


Fig. 8

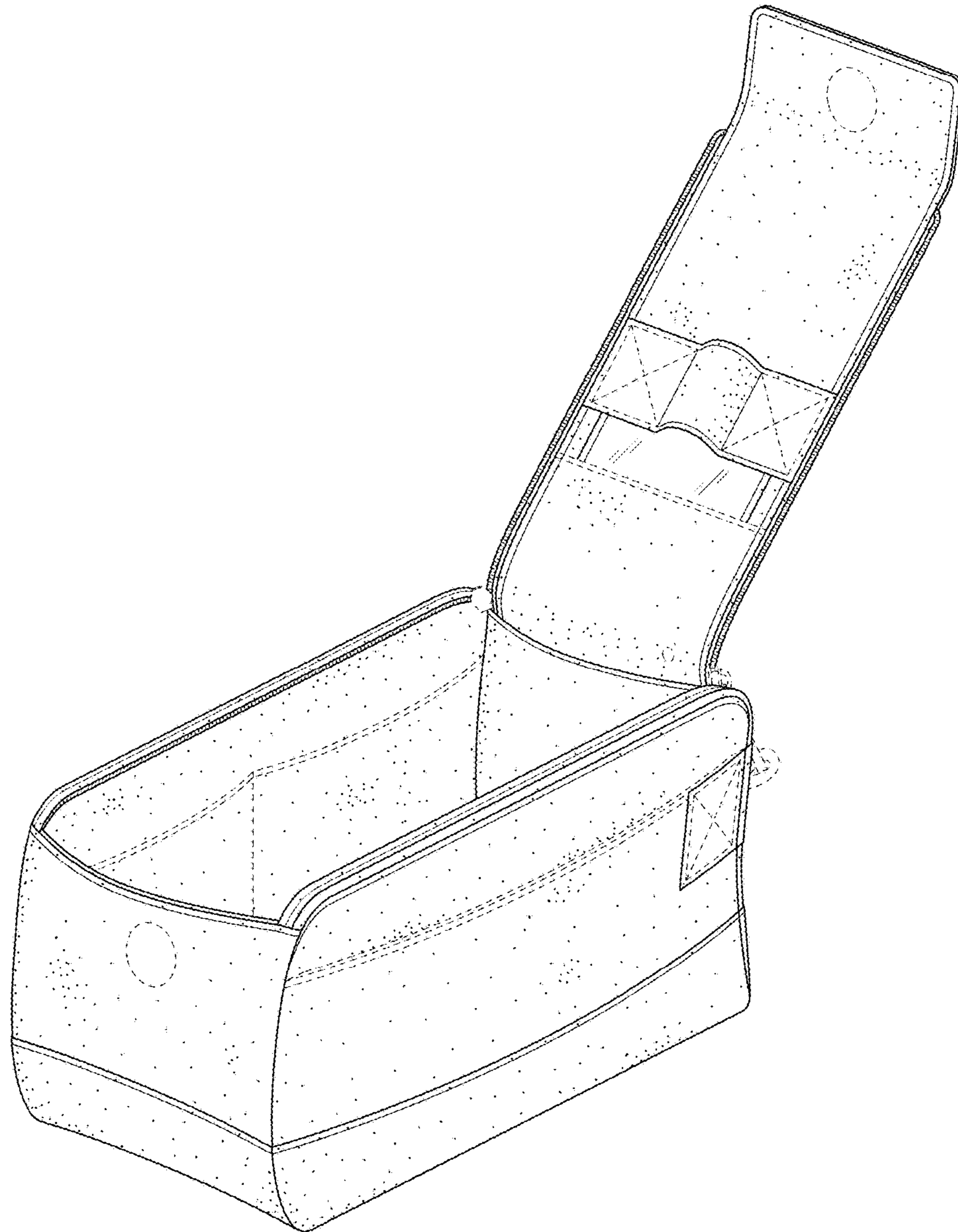


Fig. 9