



US00D861319S

(12) **United States Design Patent**
Petrenka

(10) **Patent No.:** **US D861,319 S**
(45) **Date of Patent:** **** Oct. 1, 2019**

(54) **SHOE**
(71) Applicant: **NIKE, Inc.**, Beaverton, OR (US)
(72) Inventor: **Dylan Petrenka**, Portland, OR (US)
(73) Assignee: **NIKE, Inc.**, Beaverton, OR (US)
(**) Term: **15 Years**
(21) Appl. No.: **29/658,796**

D322,879 S 1/1992 Hatfield
D324,129 S 2/1992 Hatfield
D325,812 S 5/1992 Hatfield
D329,737 S 9/1992 Elliot
D330,966 S 11/1992 Aveni
D331,145 S * 11/1992 Cheng D2/969
D333,377 S 2/1993 Hatfield
D336,766 S 6/1993 Sjosward
D339,223 S 9/1993 Crowley
D346,478 S 5/1994 Teague
D346,690 S 5/1994 Crowley et al.
D346,899 S 5/1994 Hatfield et al.
D347,314 S 5/1994 Uda

(Continued)

(22) Filed: **Aug. 2, 2018**
(51) **LOC (12) Cl.** **02-99**
(52) **U.S. Cl.**
USPC **D2/973**
(58) **Field of Classification Search**
USPC D2/896, 902, 906-908, 946, 947, 969,
D2/972-974; D5/47, 49, 50, 53, 54, 56,
D5/60
CPC ... A43B 13/181; A43B 13/141; A43B 13/186;
A43B 13/188; A43B 23/00; A43B 23/02;
A43B 5/00; A43B 23/26; A43B 1/04;
A43B 11/14; A43B 7/00; A43B 3/12;
A43C 3/00; A43C 5/00; A43C 7/00;
A43C 11/004

See application file for complete search history.

(56) **References Cited**

U.S. PATENT DOCUMENTS

D280,567 S 9/1985 Ji
D293,500 S 1/1988 Tong et al.
D294,998 S * 4/1988 Brown D2/973
D295,458 S * 5/1988 Selbiger D2/969
D295,916 S * 5/1988 Selbiger D2/969
D296,148 S * 6/1988 Selbiger D2/969
D296,262 S * 6/1988 Brown D2/973
D296,492 S * 7/1988 Brown D2/972
D300,685 S * 4/1989 Le D2/973
D316,174 S 4/1991 Hatfield
D317,824 S 7/1991 Hatfield
D319,918 S 9/1991 Hatfield

OTHER PUBLICATIONS

Nike Footwear Catalog, 2010 Fall Performance Footwear, p. 54,
published Nov. 2009, NIKE, Inc., USA.

(Continued)

Primary Examiner — Dominic V Simone
(74) *Attorney, Agent, or Firm* — Banner & Witcoff, Ltd.

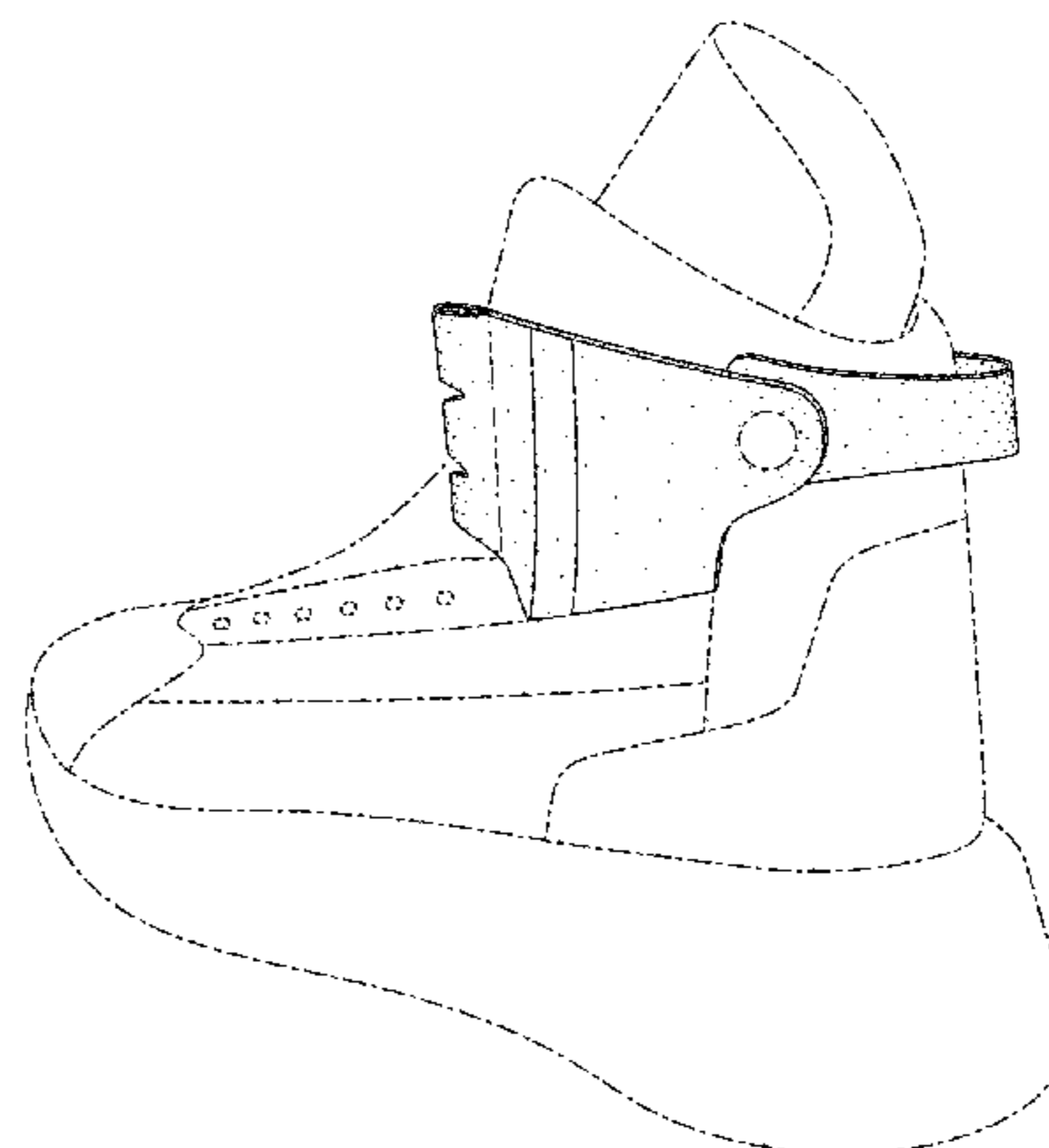
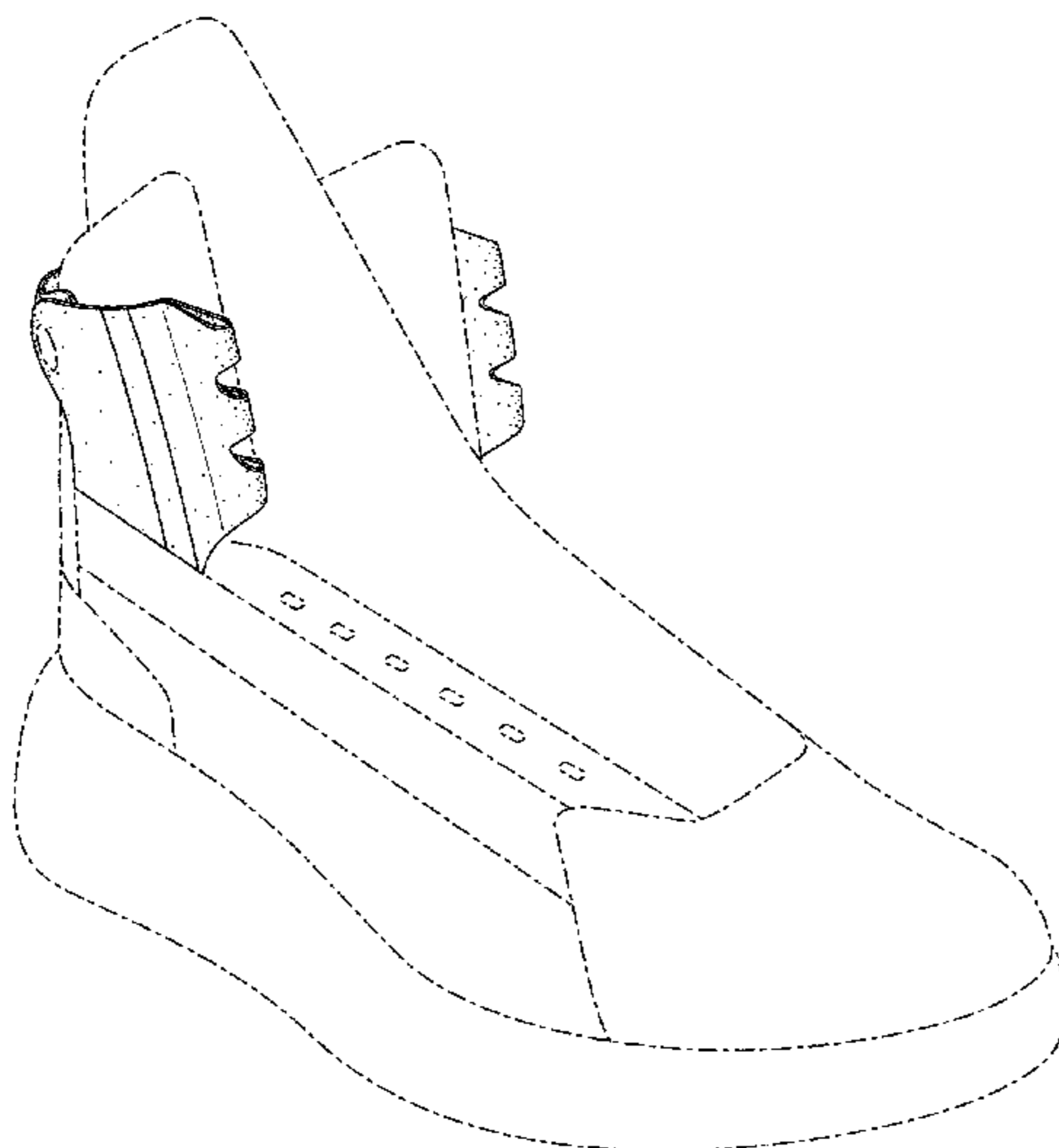
(57) **CLAIM**

The ornamental design for a shoe, as shown and described.

DESCRIPTION

FIG. 1 is a front perspective view of a shoe showing my new design;
FIG. 2 is a side view thereof;
FIG. 3 is a rear perspective view thereof;
FIG. 4 is a rear view thereof;
FIG. 5 is an opposite side rear perspective view thereof;
FIG. 6 is an opposite side view thereof; and,
FIG. 7 is an opposite side front perspective view thereof.
The circular elements shown in broken lines within the shaded areas form no part of the claimed design. The broken lines depicting the remainder of the shoe show features that form no part of the claimed design.

1 Claim, 7 Drawing Sheets



(56)

References Cited

U.S. PATENT DOCUMENTS

D349,394 S 8/1994 Hatfield
D349,396 S 8/1994 Hatfield
D358,250 S * 5/1995 Crowley D2/972
D365,199 S 12/1995 Avar
D369,233 S 4/1996 Haber et al.
D378,473 S 3/1997 Feller
D380,598 S 7/1997 Brooks et al.
D393,343 S 4/1998 Smith
D410,140 S 5/1999 Joseph
D446,000 S 8/2001 Price
D475,185 S 6/2003 Adams
D475,186 S 6/2003 Shea et al.
D475,187 S 6/2003 Shea et al.
D730,037 S 5/2015 Spring
D740,011 S 10/2015 Budke
D762,955 S 8/2016 Buscemi
D766,565 S 9/2016 Hatfield
D769,586 S 10/2016 Buscemi
D775,804 S 1/2017 Galway et al.
D775,805 S 1/2017 Galway et al.
D781,563 S 3/2017 Chang
D787,804 S * 5/2017 Raasch D2/972
D788,439 S * 6/2017 Matthews D2/972

OTHER PUBLICATIONS

Nike Footwear Catalog, 2014 Fall City Specialty Footwear Best Final, p. 84, published Nov. 1, 2013 , NIKE, Inc., USA.

* cited by examiner

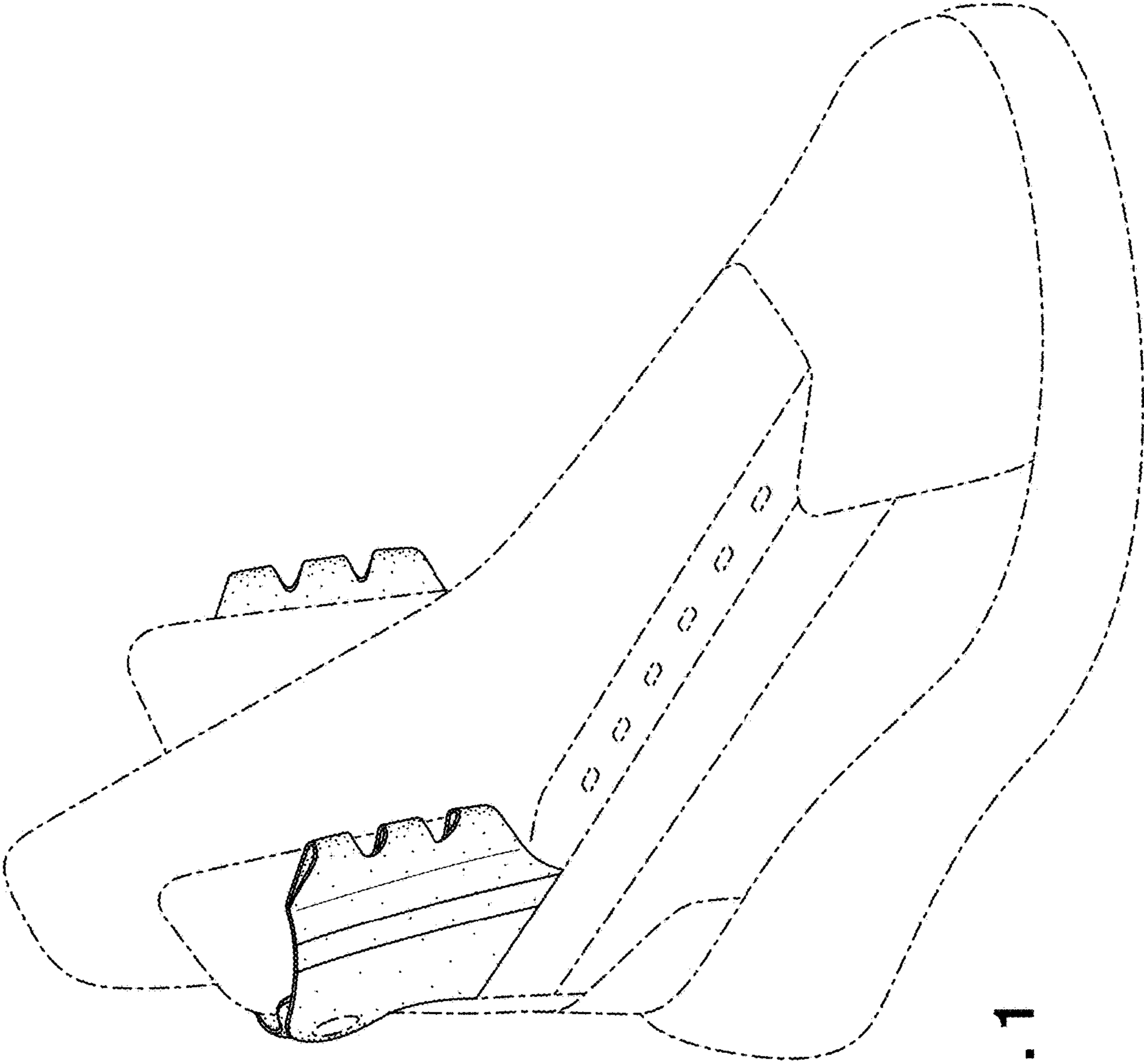


FIG. 1

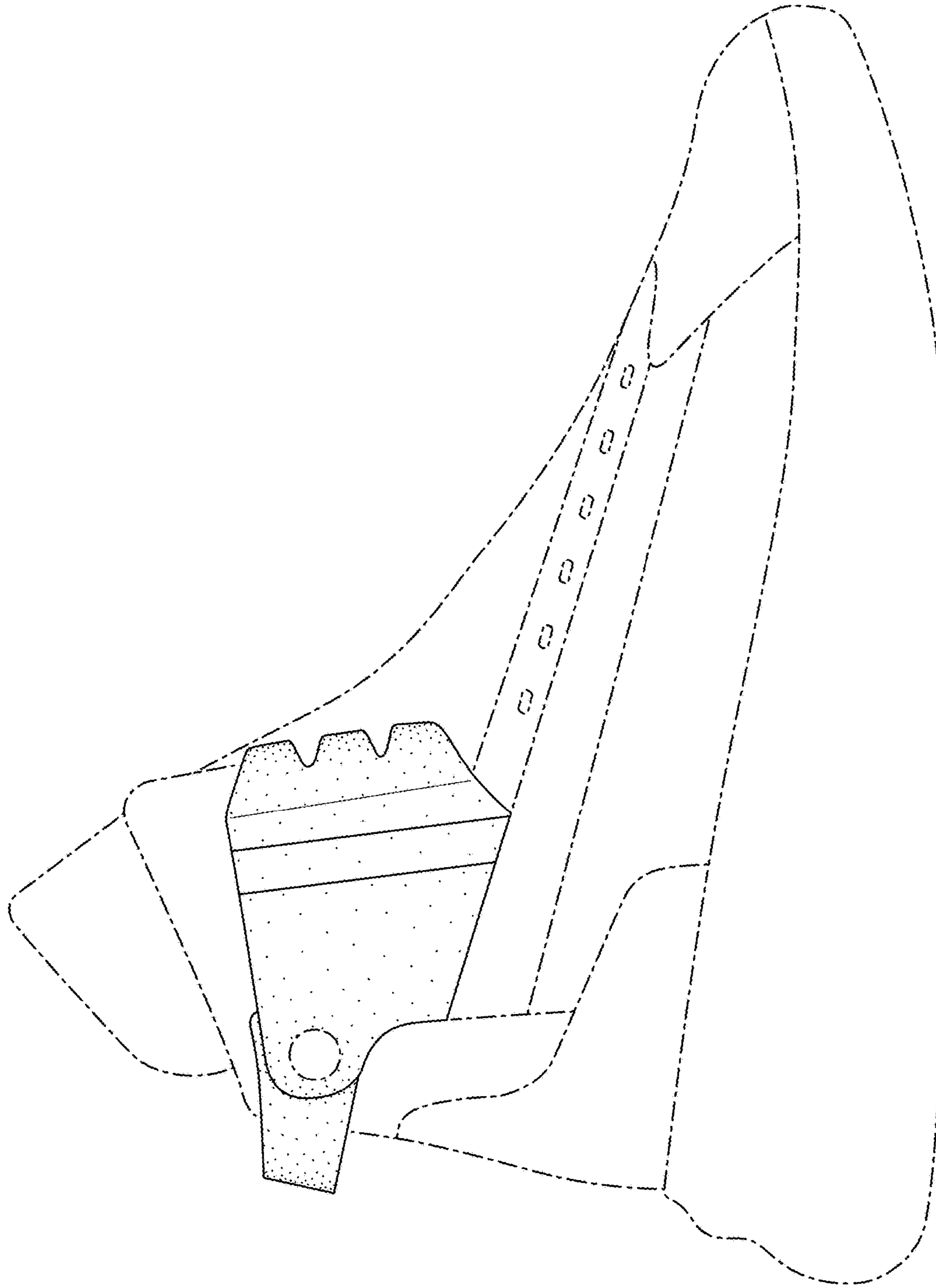


FIG. 2

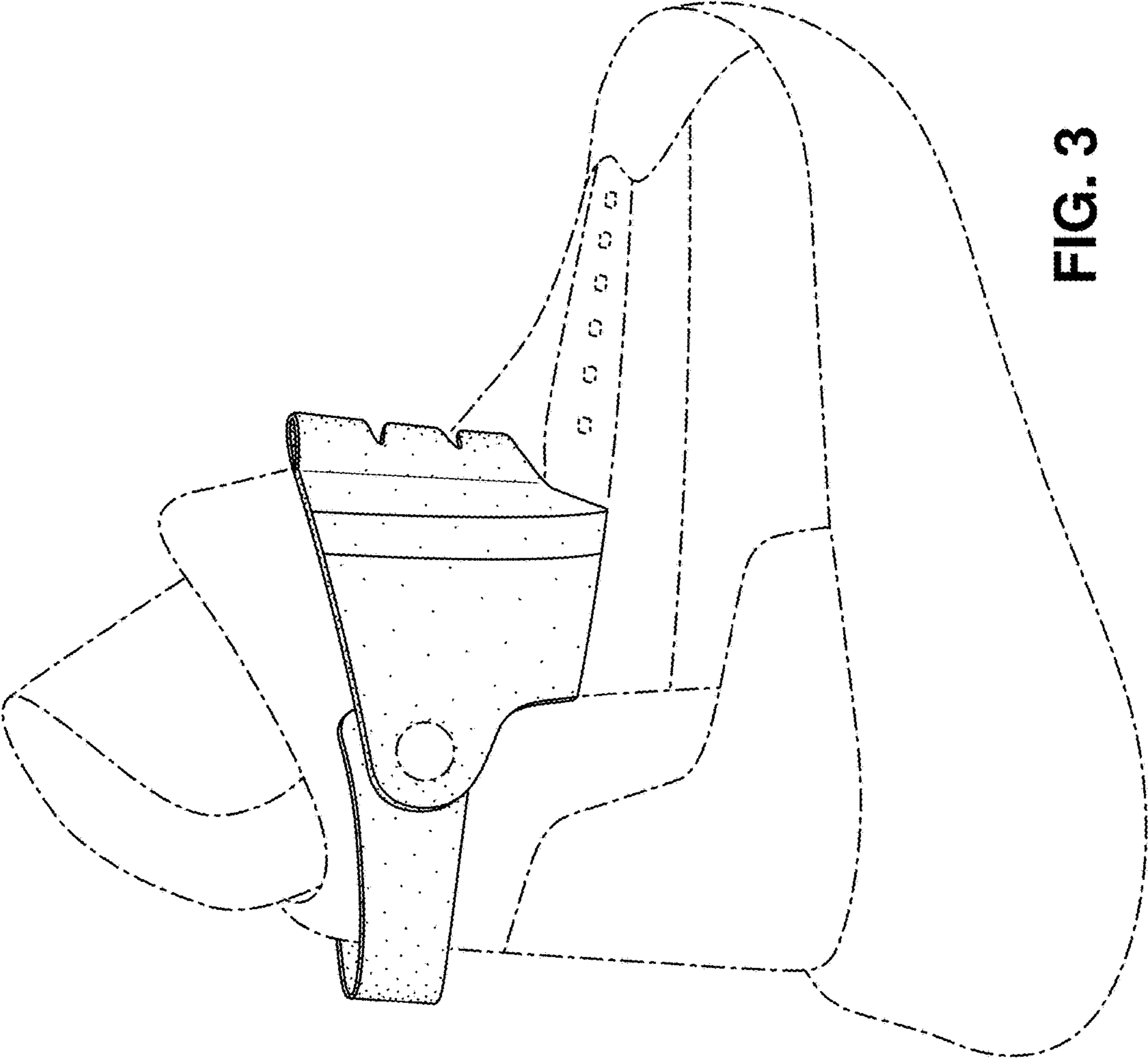


FIG. 3

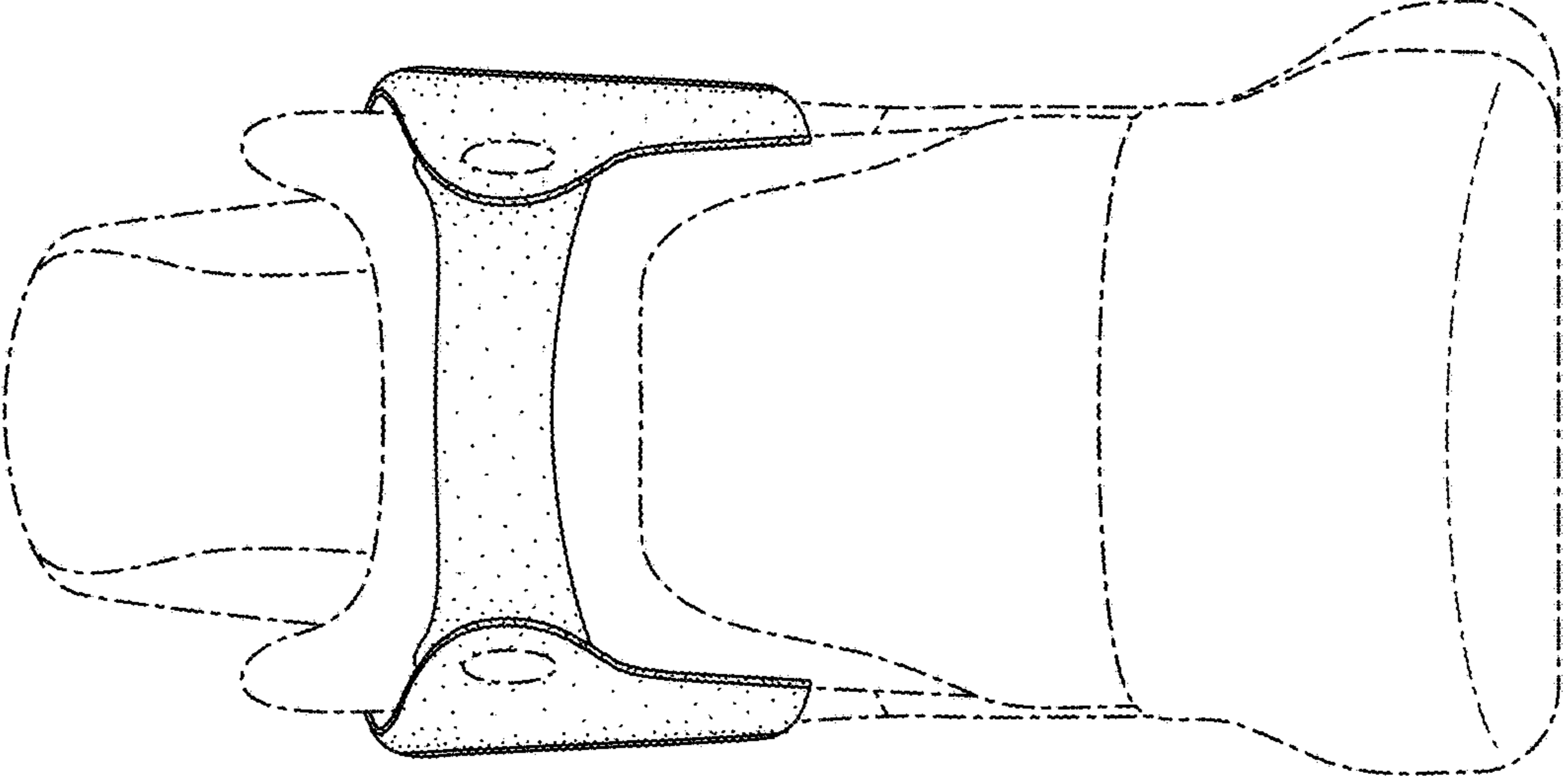


FIG. 4

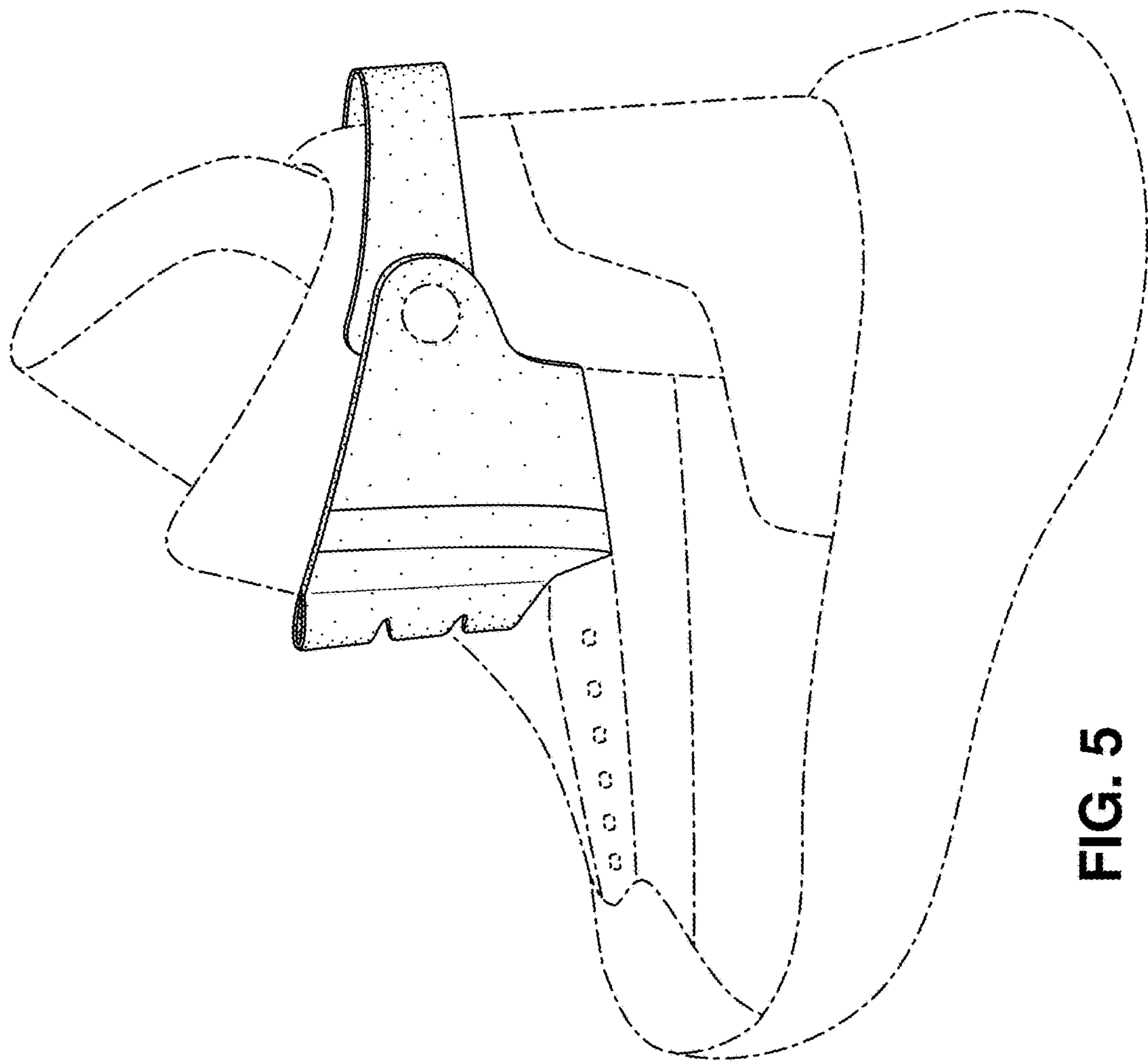


FIG. 5

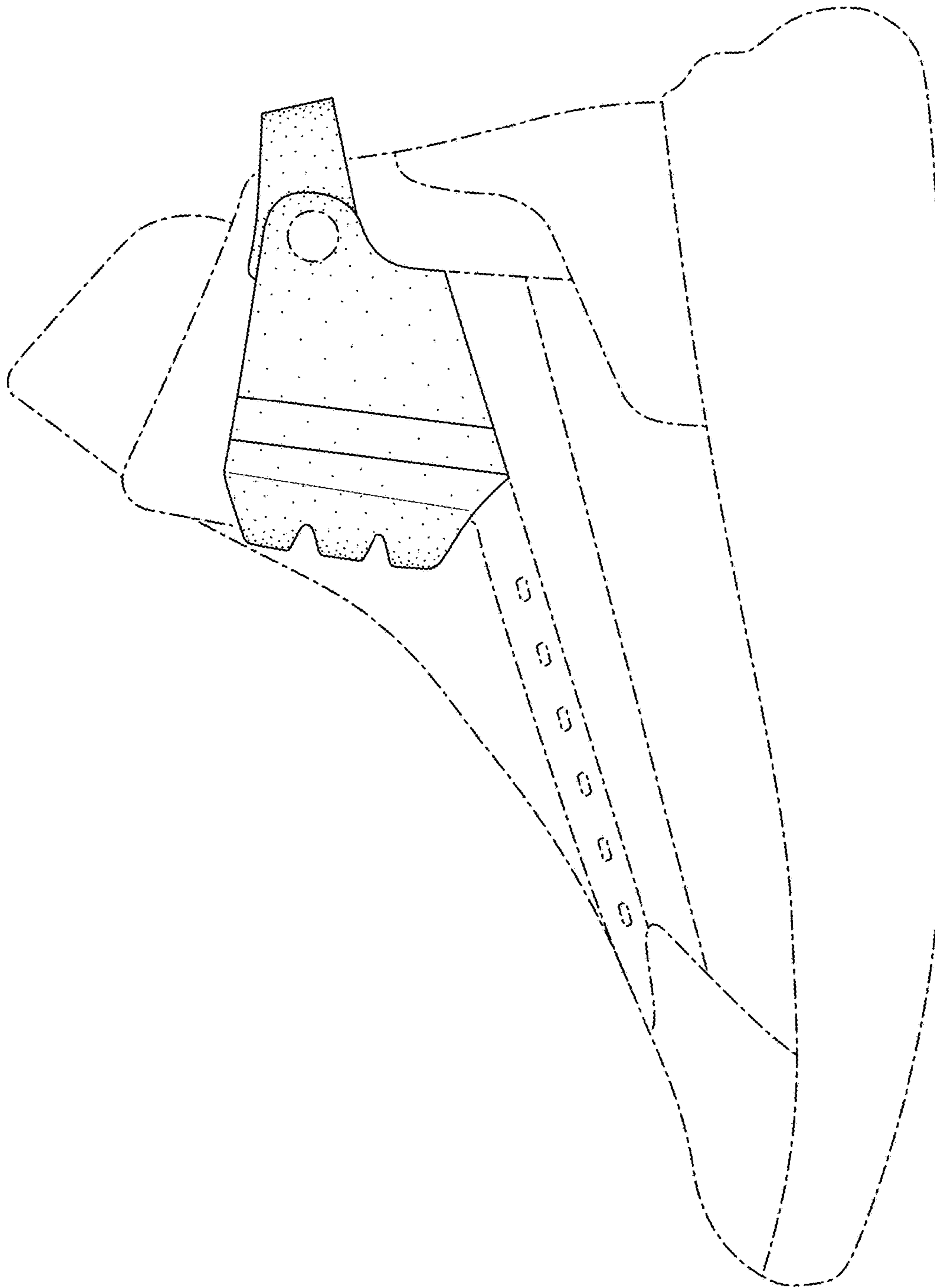


FIG. 6

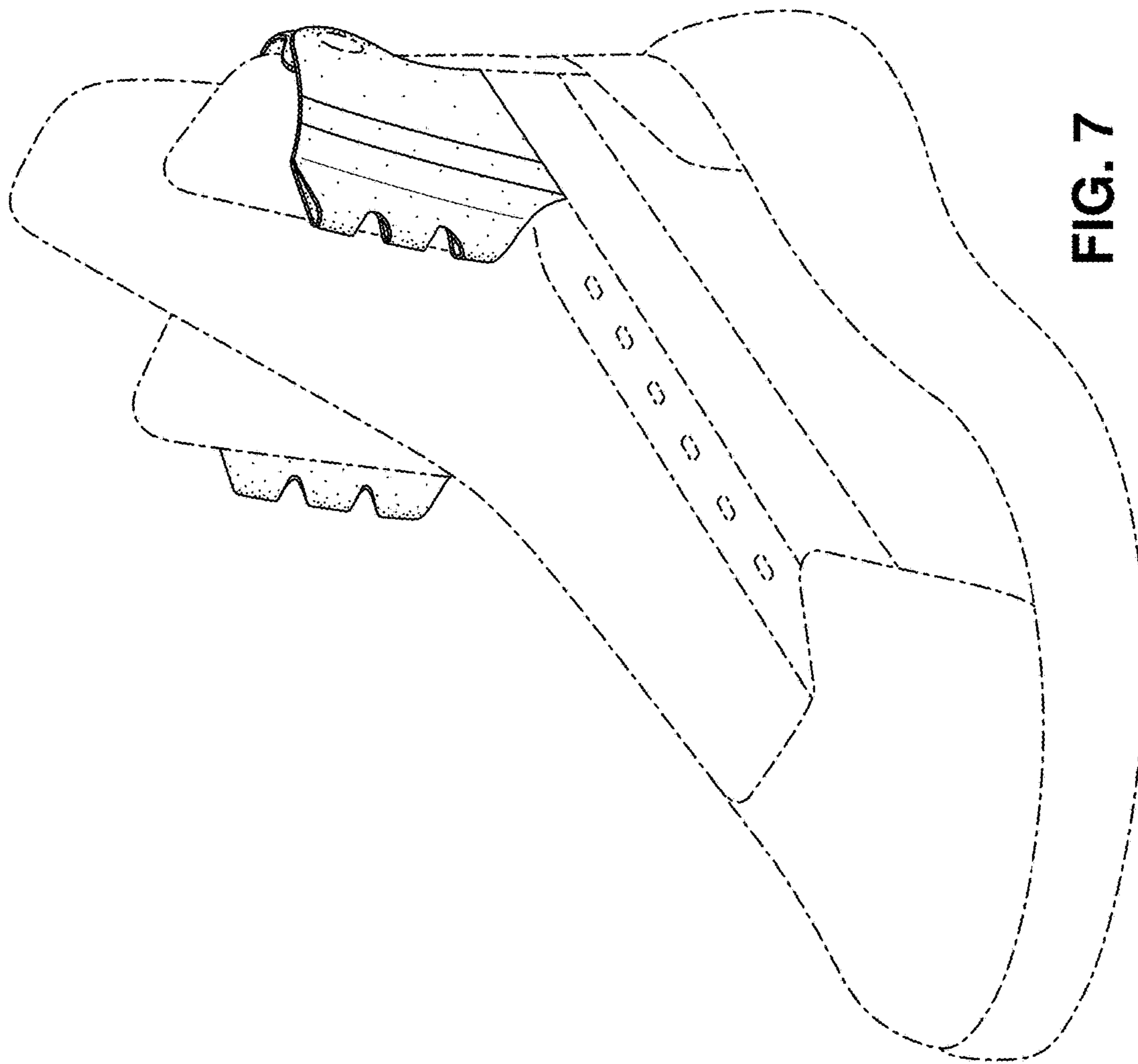


FIG. 7