



US00D861311S

(12) **United States Design Patent**
Hatfield

(10) **Patent No.:** **US D861,311 S**

(45) **Date of Patent:** **** Oct. 1, 2019**

(54) **SHOE**

(71) Applicant: **NIKE, Inc.**, Beaverton, OR (US)

(72) Inventor: **Tinker L. Hatfield**, Portland, OR (US)

(73) Assignee: **NIKE, Inc.**, Beaverton, OR (US)

(**) Term: **15 Years**

(21) Appl. No.: **29/667,143**

(22) Filed: **Oct. 18, 2018**

(51) **LOC (12) Cl.** **02-04**

(52) **U.S. Cl.**

USPC **D2/959**; D2/951; D2/957; D2/960

(58) **Field of Classification Search**

USPC D2/902, 906, 908, 916, 918, 925,
D2/946-962, 977; 36/3 B, 22 R, 24.5,
36/25 R, 28, 32 R, 34 R, 59 C, 67 A, 103
CPC A43B 13/00; A43B 13/02; A43B 13/023;
A43B 13/026; A43B 13/04; A43B 13/08;
A43B 13/10; A43B 13/12; A43B 13/14;
A43B 13/141; A43B 13/143; A43B
13/16; A43B 13/18; A43B 13/181; A43B
13/187; A43B 13/189; A43B 13/20; A43B
13/22; A43B 13/223; A43B 13/24; A43B
13/28; A43B 13/30; A43B 13/32; A43B
13/34; A43B 13/36

See application file for complete search history.

(56) **References Cited**

U.S. PATENT DOCUMENTS

D78,191 S	4/1929	Bush	
D90,057 S	5/1933	Van Cleff	
D98,954 S	3/1936	Morgan	
D115,606 S	7/1939	Berntein	
D119,291 S	3/1940	Watanabe	
D197,505 S	2/1964	Bingham, Jr.	
D242,091 S	* 11/1976	Tornero	D2/954
D299,787 S	* 2/1989	Bates	D2/960

D323,739 S	2/1992	Kaiser	
D342,825 S	* 1/1994	McDonald	D2/954
D348,350 S	* 7/1994	Lucas	D2/957
D349,392 S	8/1994	Noel	
D350,641 S	9/1994	Kayano et al.	
D356,663 S	3/1995	Ueda	
5,400,526 A	* 3/1995	Sessa	A43B 1/0045 36/141
D402,451 S	12/1998	Wunsch	
D414,020 S	9/1999	Manradgh et al.	
D433,558 S	11/2000	Matis et al.	

(Continued)

OTHER PUBLICATIONS

Nike Air Rejuven8 QS AP Pack [online], [retrieved Oct. 16, 2018]
retrieved from Internet <URL: <<https://www.kicksonfire.com/nike-air-rejuven8-qs-ap-pack/>>; 5 color sheets, Dated Jun. 3, 2012.

(Continued)

Primary Examiner — T Chase Nelson

(74) *Attorney, Agent, or Firm* — Banner & Witcoff, Ltd.

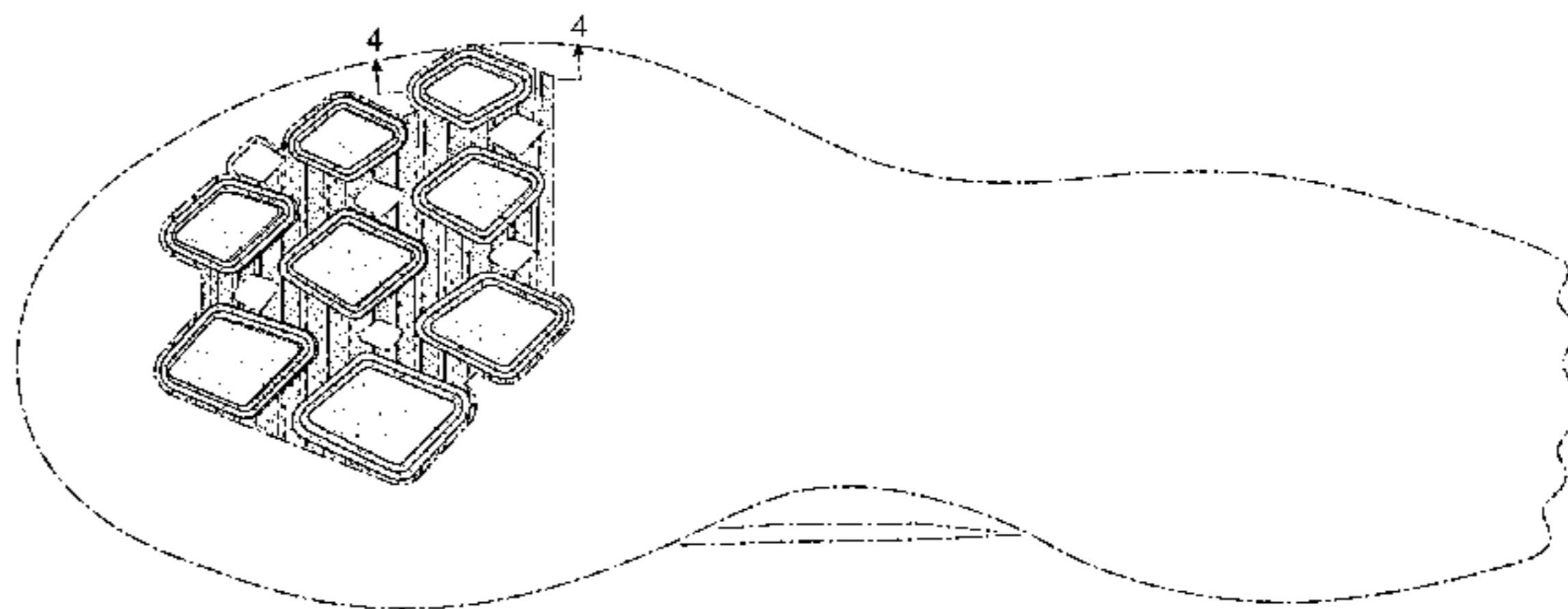
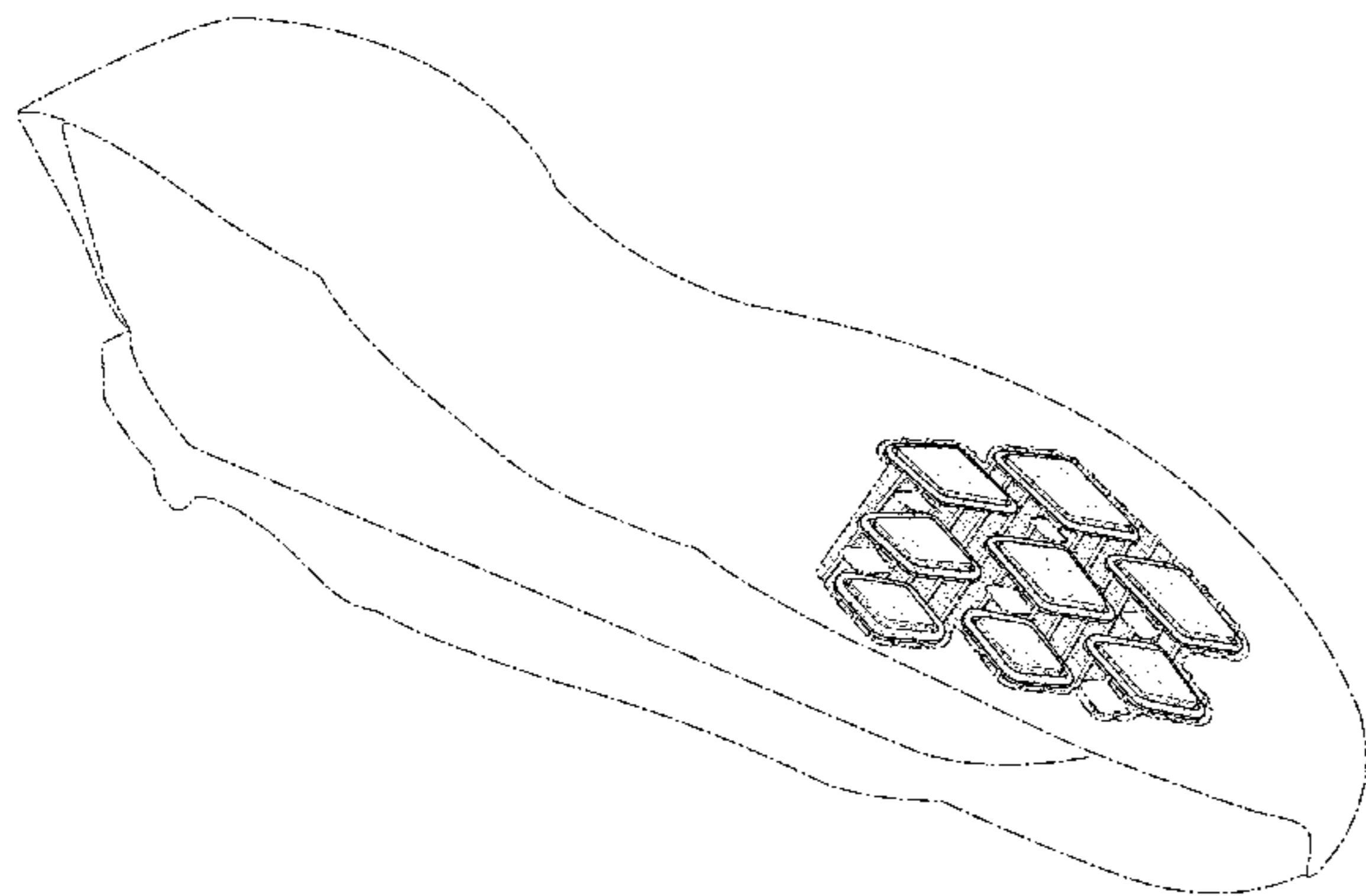
(57) **CLAIM**

The ornamental design for a shoe, as shown and described.

DESCRIPTION

FIG. 1 is a front perspective view of a shoe showing my new design;
FIG. 2 is a bottom view thereof;
FIG. 3 is an opposite front perspective view thereof; and,
FIG. 4 is a cross-section taken through line 4-4 of FIG. 2.
The broken lines immediately adjacent to the shaded area define the bounds of the claimed design and form no part thereof. The six unshaded diamond-shaped regions demarcated by broken lines represent features that form no part of the claimed design. The broken lines depicting the remainder of the shoe show features that form no part of the claimed design.

1 Claim, 4 Drawing Sheets



(56)

References Cited

U.S. PATENT DOCUMENTS

D437,677 S * 2/2001 Matis D2/916
 D439,395 S 3/2001 Oberg
 D440,747 S * 4/2001 Matis D2/953
 D452,061 S * 12/2001 Smith D2/947
 D473,042 S * 4/2003 Wilson D2/953
 D498,351 S 11/2004 Morgan
 D509,650 S 9/2005 Burg
 D543,679 S * 6/2007 Edwards D2/957
 D553,835 S 10/2007 McClaskie
 D561,438 S * 2/2008 Belley D2/953
 D561,439 S * 2/2008 Schoenborn D2/953
 D561,440 S * 2/2008 Andersen D2/953
 D561,443 S 2/2008 Robinson, Jr. et al.
 D562,541 S * 2/2008 Avar D2/972
 D566,381 S 4/2008 Nakano et al.
 D569,593 S 5/2008 Avar
 D575,941 S * 9/2008 Weber D2/907
 D577,183 S 9/2008 Link
 D577,883 S 10/2008 Link
 D581,641 S * 12/2008 Bethke, Jr. D2/953
 D584,492 S * 1/2009 Lee D2/951
 D589,692 S * 4/2009 McClaskie D2/951
 D595,036 S 6/2009 Link
 D595,037 S 6/2009 Mayden
 D600,895 S * 9/2009 Morgan D2/951
 D607,192 S 1/2010 McClaskie
 D608,534 S * 1/2010 Bullard D2/947
 D620,692 S 8/2010 McClaskie
 D621,146 S 8/2010 McClaskie
 D621,595 S 8/2010 McClaskie
 D643,190 S 8/2011 McClaskie
 D643,191 S 8/2011 McClaskie
 D643,195 S * 8/2011 Yi D2/951
 8,146,266 B2 * 4/2012 Vattes A43B 17/08
 36/10
 D659,967 S * 5/2012 Miner D2/951
 D661,077 S * 6/2012 Lee D2/951
 D663,511 S * 7/2012 Martinez D2/917
 D682,519 S * 5/2013 Litchfield D2/951
 D686,406 S 7/2013 Spring
 D694,502 S 12/2013 Rasmussen
 D712,644 S 9/2014 Joseph
 D725,359 S * 3/2015 Miner D2/947
 9,009,991 B2 * 4/2015 Sills A43B 1/0072
 36/103
 D735,454 S * 8/2015 Yun D2/951
 D737,030 S * 8/2015 Bizzo D2/951
 D744,214 S * 12/2015 McMillan D2/951
 D746,564 S * 1/2016 Wright A43B 13/20
 D2/951
 D779,176 S * 2/2017 Young A43B 1/0072
 D2/951
 D781,040 S * 3/2017 Scofield D2/947
 D782,799 S 4/2017 Caron et al.
 D784,670 S * 4/2017 Lok D2/951
 D784,674 S * 4/2017 Raasch D2/951
 D788,421 S * 6/2017 Gibson D2/951
 D794,932 S 8/2017 Parrett et al.
 9,717,303 B2 * 8/2017 Walker A43B 3/0057
 D802,276 S 11/2017 de Montgolfier et al.
 D806,372 S * 1/2018 Boudreau D2/957
 D811,063 S 2/2018 Brammer
 D812,881 S * 3/2018 Jalbert A43B 1/0009
 D2/957

D814,756 S 4/2018 Cin et al.
 D815,815 S * 4/2018 Moore A43B 13/187
 D2/947
 D822,963 S * 7/2018 Moore A43B 7/08
 D2/947
 D826,526 S * 8/2018 Small D2/957
 10,149,513 B1 * 12/2018 Eldem A43B 13/20
 D838,445 S * 1/2019 Kalns D2/912
 D839,572 S * 2/2019 Seamarks D2/957
 D843,698 S * 3/2019 Schultze D2/947
 D850,771 S * 6/2019 Schultze D2/957
 2007/0214682 A1 * 9/2007 Smotrycz A43B 7/08
 36/3 B
 2008/0229617 A1 * 9/2008 Johnson A43B 3/0057
 36/102
 2009/0255625 A1 * 10/2009 Fox A43B 13/187
 156/247
 2010/0180474 A1 * 7/2010 Clark A43B 3/00
 36/3 B
 2011/0214313 A1 * 9/2011 James A43B 13/141
 36/103
 2013/0152428 A1 * 6/2013 Bishop A43B 13/16
 36/103
 2014/0015169 A1 * 1/2014 Wan A43B 9/00
 264/328.1
 2014/0041261 A1 * 2/2014 Walker A43B 3/0057
 36/25 R
 2015/0313312 A1 * 11/2015 Park A43B 13/122
 36/31
 2016/0295961 A1 * 10/2016 Hazenberg A43B 1/0009
 2016/0302523 A1 * 10/2016 Fujita A43B 13/122
 2017/0020228 A1 * 1/2017 Scofield A43B 13/181
 2018/0327564 A1 * 11/2018 Baghdadi C08J 9/122

OTHER PUBLICATIONS

The Next Nike Air Presto Flyknit Ultra Is Olive-Flavored [online], [retrieved Oct. 16, 2018] retrieved from internet <URL: <https://solecollector.com/news/2016/09/nike-air-presto-flyknit-ultra-olive-flak/>; 7 color sheets, Dated Sep. 7, 2016.
 Nike Footwear Catalog, 1982 Footwear, p. 13, published Jan. 1982, NIKE, Inc., USA.
 Nike Footwear Catalog, 1991 Fall Footwear, p. 60, published Dec. 1990, NIKE, Inc., USA.
 Nike Footwear Catalog, 1994 Holiday Footwear, p. 40, published Mar. 1994, NIKE, Inc., USA.
 Nike Footwear Catalog, 1994 Late Spring Footwear, p. 24, published Sep. 1993, NIKE, Inc., USA.
 Nike Footwear Catalog, 1995 Fall Footwear, p. 10, published Nov. 1994, NIKE, Inc., USA.
 Nike Footwear Catalog, 1999 Spring Footwear, p. W37, published Jun. 1998, NIKE, Inc., USA.
 Nike Footwear Catalog, 2001 Spring Footwear 1, p. 3, published Jun. 2000, NIKE, Inc., USA.
 Nike Footwear Catalog, 2006 Spring Footwear, p. 132, published date unknown, but prior to the filing date of the resent application, NIKE, Inc., USA.
 Nike Footwear Catalog, 2007 Fall Jordan Footwear Catalog, p. 8, published Nov. 2006, NIKE, Inc., USA.
 Nike Footwear Catalog, 2010 Fall Core Footwear, p. 21, published Nov. 2009, NIKE, Inc., USA.
 Nike Footwear Catalog, 2016 Fall Athletic Specialty Footwear NA, p. 149, published Nov. 2015, NIKE, Inc., USA.

* cited by examiner

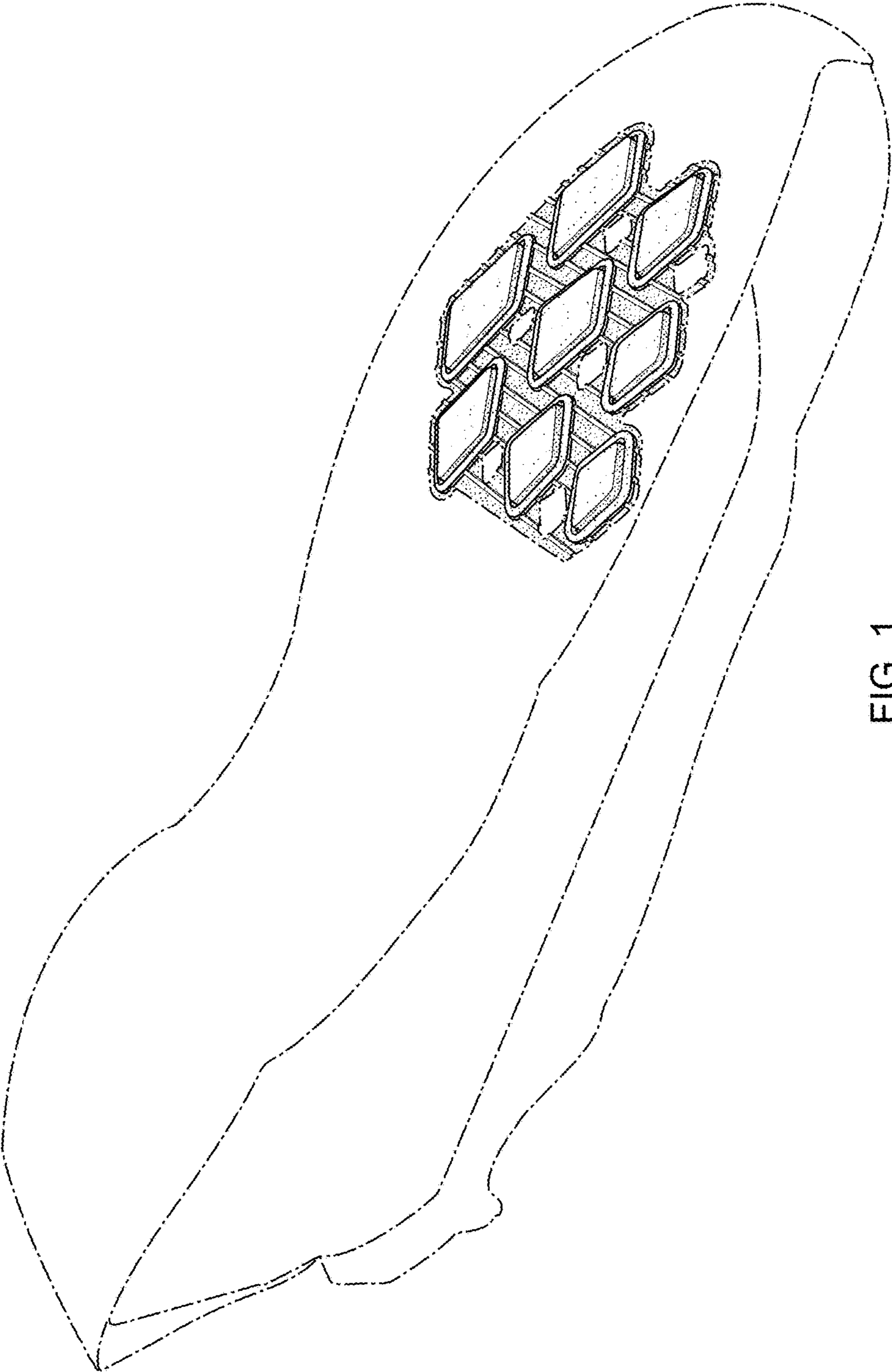


FIG. 1

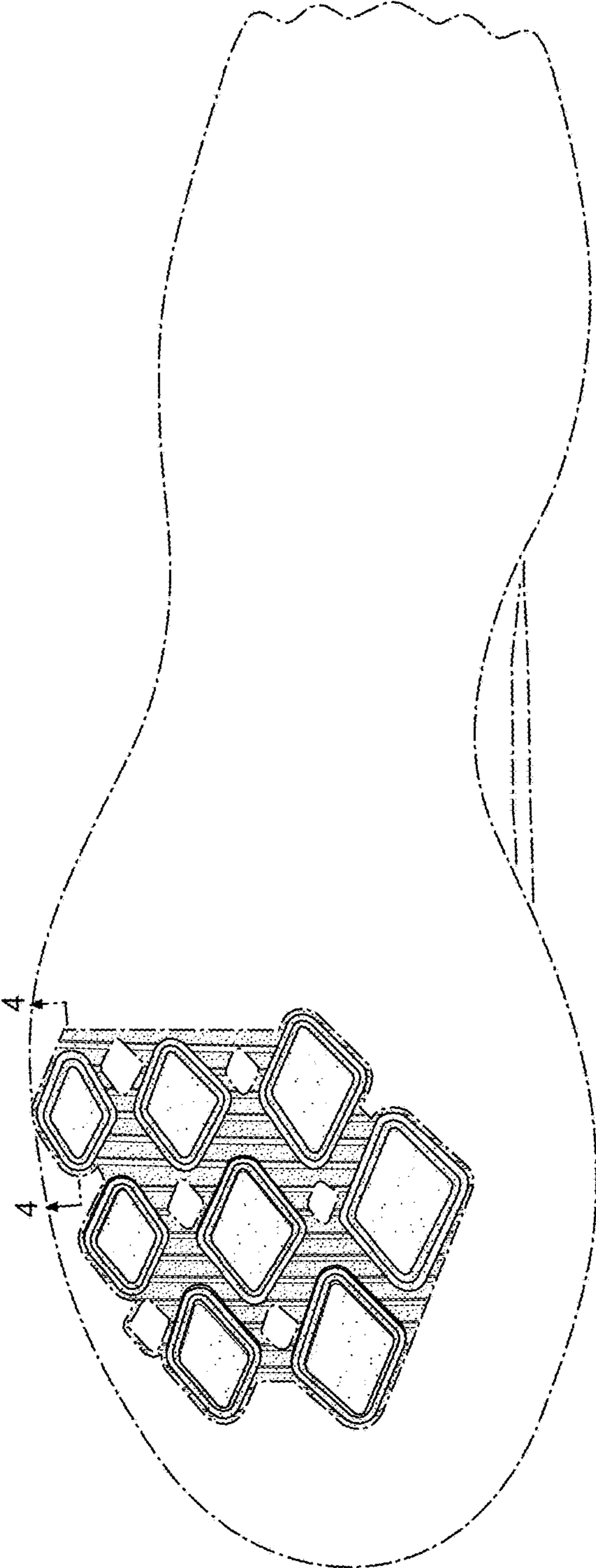


FIG. 2

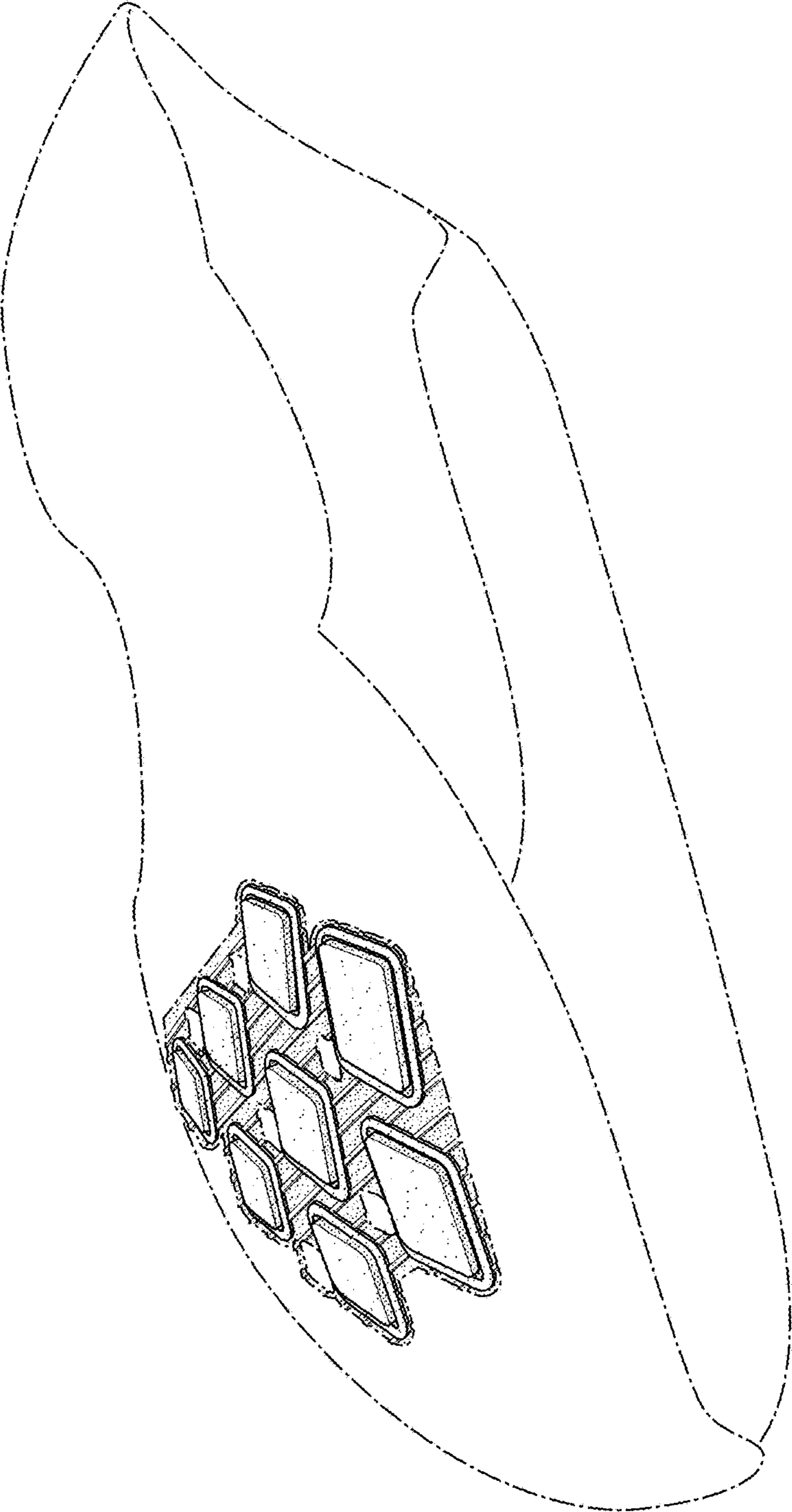


FIG. 3



FIG. 4