



US00D861310S

(12) **United States Design Patent** (10) **Patent No.:** **US D861,310 S**
Weeks (45) **Date of Patent:** **** Oct. 1, 2019**

(54) **SHOE OUTSOLE BOTTOM**

(71) Applicant: **Skechers U.S.A., Inc. II**, Manhattan Beach, CA (US)

(72) Inventor: **John Maxwell Weeks**, Playa del Rey, CA (US)

(73) Assignee: **Skechers U.S.A., Inc. II**, Manhattan Beach, CA (US)

(**) Term: **15 Years**

(21) Appl. No.: **29/694,034**

(22) Filed: **Jun. 6, 2019**

Related U.S. Application Data

(62) Division of application No. 29/672,458, filed on Dec. 5, 2018.

(51) **LOC (12) Cl.** **02-04**

(52) **U.S. Cl.**
USPC **D2/957**; D2/951; D2/959; D2/960

(58) **Field of Classification Search**
USPC D2/902, 906, 908, 916, 918, 925, D2/946-962, 977; 36/3 B, 22 R, 24.5, 36/25 R, 28, 32 R, 34 R, 59 C, 67 A, 103
CPC A43B 13/00; A43B 13/02; A43B 13/023; A43B 13/026; A43B 13/04; A43B 13/08; A43B 13/10; A43B 13/12; A43B 13/14; A43B 13/141; A43B 13/143; A43B 13/16; A43B 13/18; A43B 13/181; A43B 13/187; A43B 13/189; A43B 13/20; A43B 13/22; A43B 13/223; A43B 13/24; A43B 13/28; A43B 13/30; A43B 13/32; A43B 13/34; A43B 13/36

See application file for complete search history.

(56) **References Cited**

U.S. PATENT DOCUMENTS

D347,516 S	6/1994	Foster	
D388,314 S *	12/1997	Tresser	D2/951
D433,790 S	11/2000	Oliver	
D483,554 S *	12/2003	Burg	D2/951
D508,307 S *	8/2005	Burg	D2/953
D554,840 S	11/2007	McClaskie	
D600,895 S	9/2009	Morgan	
D603,151 S	11/2009	Roundhouse	
D621,595 S	8/2010	McClaskie	
D632,879 S *	2/2011	Merkazy	D2/953
D643,195 S	8/2011	Yi	
D655,901 S	3/2012	Raysse	
D677,455 S *	3/2013	Pizzuti	D2/951
D683,529 S	6/2013	Marshall	
D717,527 S *	11/2014	Truelsen	D2/951
D724,297 S	3/2015	Oliver	
D724,830 S *	3/2015	Joseph	D2/951

(Continued)

Primary Examiner — T Chase Nelson

(74) *Attorney, Agent, or Firm* — Marshall A. Lemer; Marvin H. Kleinberg; Kleinberg & Lemer, LLP

(57) **CLAIM**

The ornamental design for a shoe outsole bottom, as shown and described.

DESCRIPTION

FIG. 1 is a perspective view of a shoe outsole bottom in accordance with my new design.

FIG. 2 is a left side view thereof;

FIG. 3 is a right side view thereof;

FIG. 4 is a top plan view thereof;

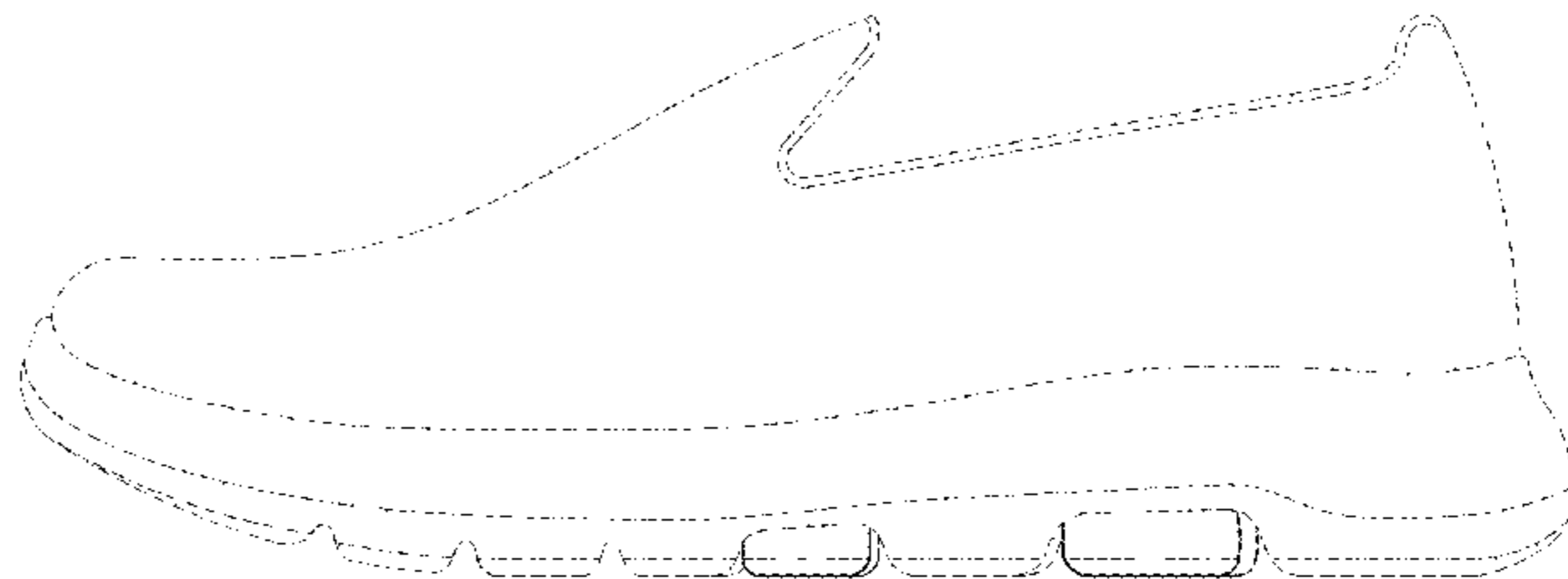
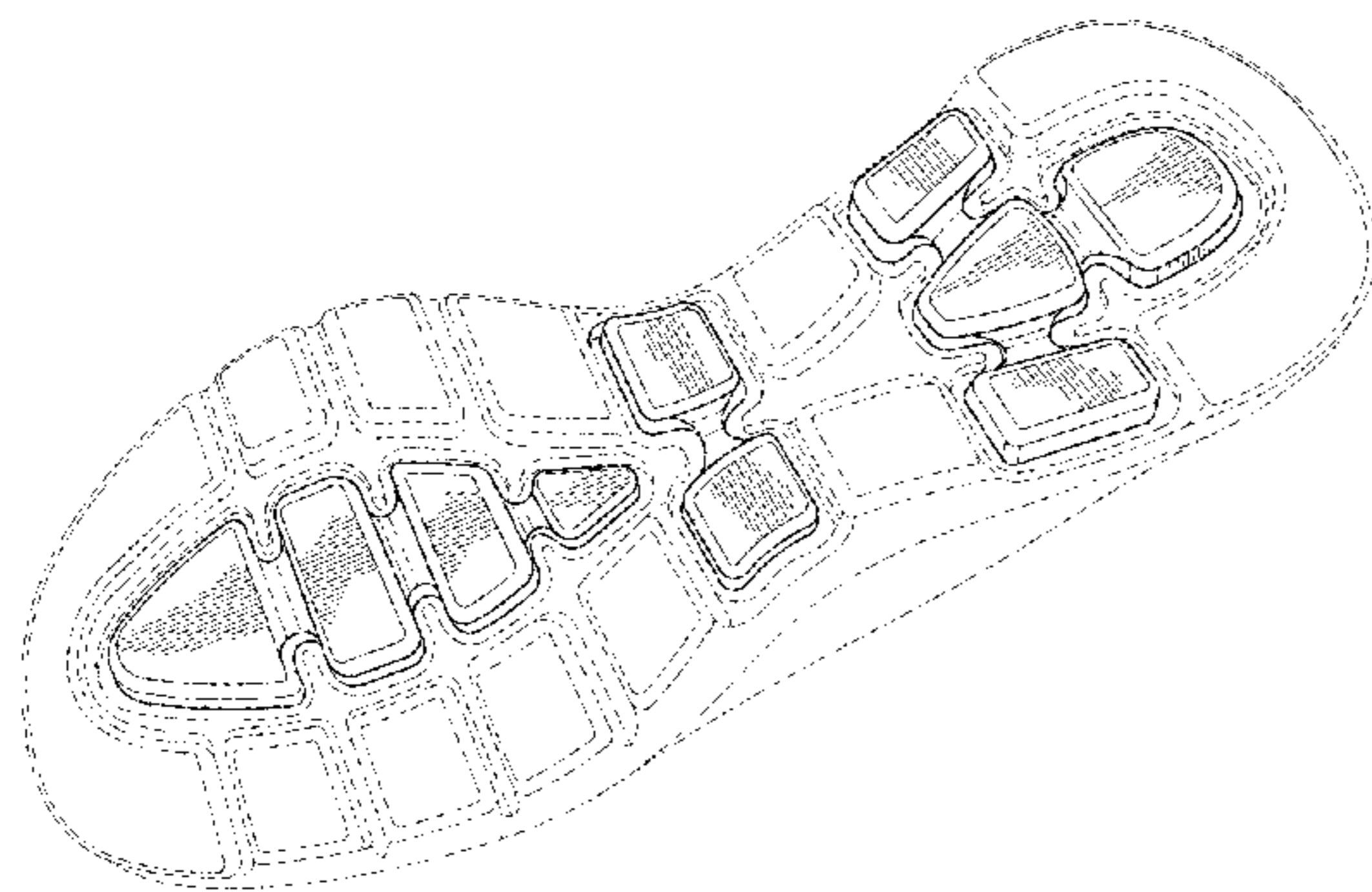
FIG. 5 is a bottom plan view thereof;

FIG. 6 is a rear elevation view thereof; and,

FIG. 7 is a front elevation view thereof.

The broken lines shown in the drawings represent unclaimed portions of the shoe outsole as well as unclaimed environment in the form of a shoe upper. The broken lines themselves also form no part of the claimed design.

1 Claim, 6 Drawing Sheets



(56)

References Cited

U.S. PATENT DOCUMENTS

D725,881 S 4/2015 Weeks
 D728,210 S * 5/2015 Jo D2/951
 D734,008 S 7/2015 Marvin et al.
 D735,454 S 8/2015 Yun
 D738,079 S * 9/2015 Bates D2/951
 D746,561 S 1/2016 Bikowski
 D756,093 S * 5/2016 Mahoney D2/951
 D770,153 S 11/2016 Marvin et al.
 D770,741 S * 11/2016 Teteriatnikov D2/951
 D774,287 S 12/2016 Taestensen
 D774,290 S * 12/2016 Taestensen D2/951
 D781,040 S 3/2017 Scofield
 D784,670 S * 4/2017 Lok A43B 13/16
 D2/951
 D788,421 S * 6/2017 Gibson A43B 13/16
 D2/951
 D789,044 S * 6/2017 Taestensen A43B 13/181
 D2/908
 D789,048 S * 6/2017 Lee A43B 7/24
 D2/912
 D797,412 S 9/2017 Taestensen
 D809,759 S * 2/2018 Kanata A43B 3/0057
 D2/957
 D812,879 S 3/2018 Lapouille
 D812,880 S 3/2018 Lapouille

D815,815 S * 4/2018 Moore A43B 13/20
 D2/947
 D815,825 S * 4/2018 Goldberg A43B 3/0036
 D2/957
 D822,963 S * 7/2018 Moore D2/947
 D838,445 S * 1/2019 Kalns A43B 13/00
 D2/912
 D839,572 S 2/2019 Seamarks
 D839,573 S * 2/2019 Small D2/957
 D840,650 S * 2/2019 James D2/957
 D844,958 S * 4/2019 Newman D2/955
 D849,382 S * 5/2019 Jenkins D2/959
 D850,771 S * 6/2019 Schultze D2/957
 10,344,150 B2 * 7/2019 Baghdadi C08L 53/025
 2013/0227857 A1 * 9/2013 Schindler A43B 13/20
 36/83
 2014/0013624 A1 * 1/2014 Stockbridge A43B 13/00
 36/103
 2014/0223778 A1 * 8/2014 Horacek A43B 3/0036
 36/102
 2014/0283413 A1 * 9/2014 Christensen A43B 3/0057
 36/102
 2017/0020228 A1 * 1/2017 Scofield A43B 13/181
 2018/0199666 A1 * 7/2018 Moriyasu A43B 13/16
 2018/0303197 A1 * 10/2018 Chen A43B 7/24
 2019/0000180 A1 * 1/2019 Moriyasu A43B 13/16
 2019/0110549 A1 * 4/2019 Hatfield A43B 13/141

* cited by examiner

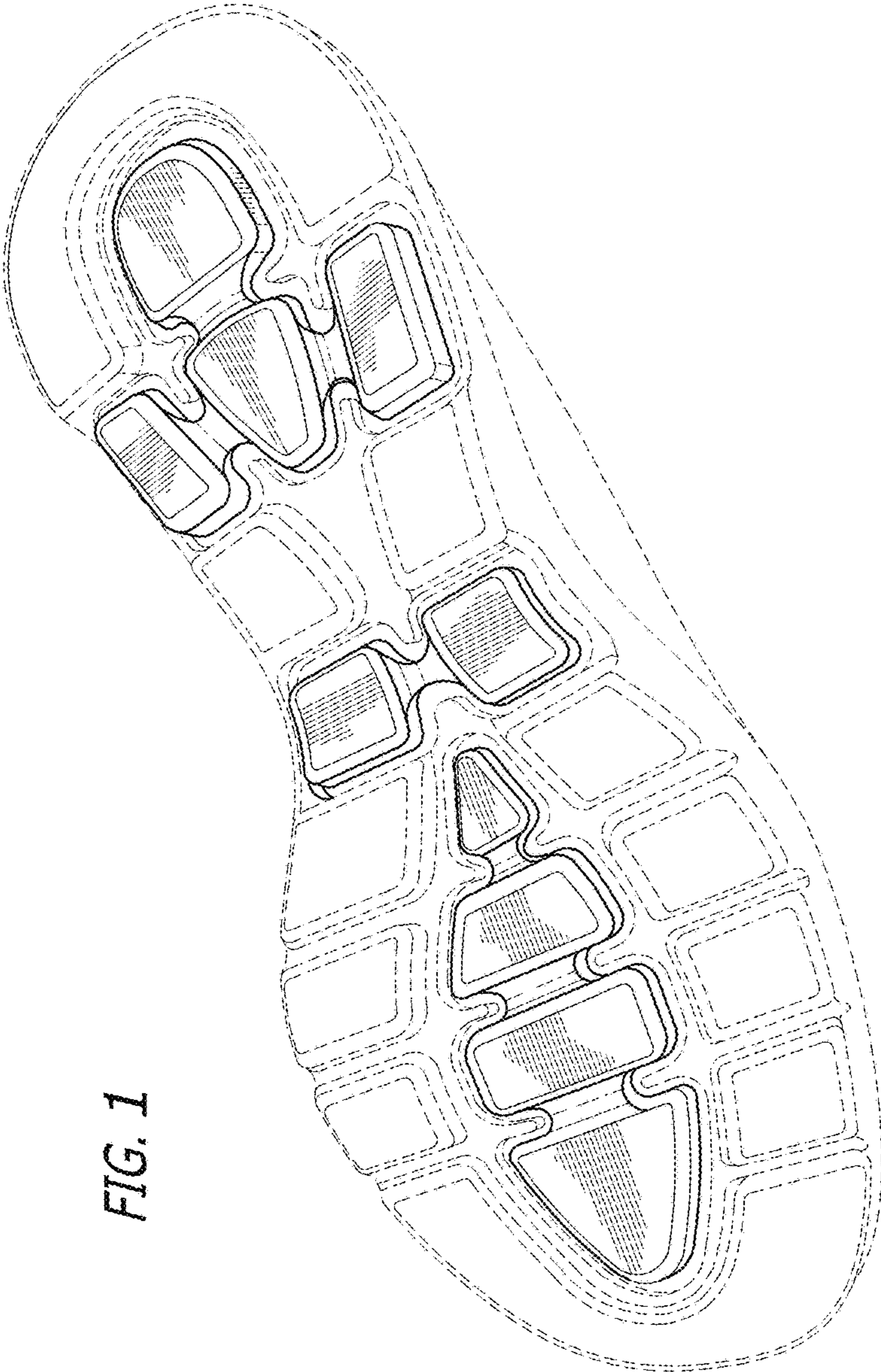
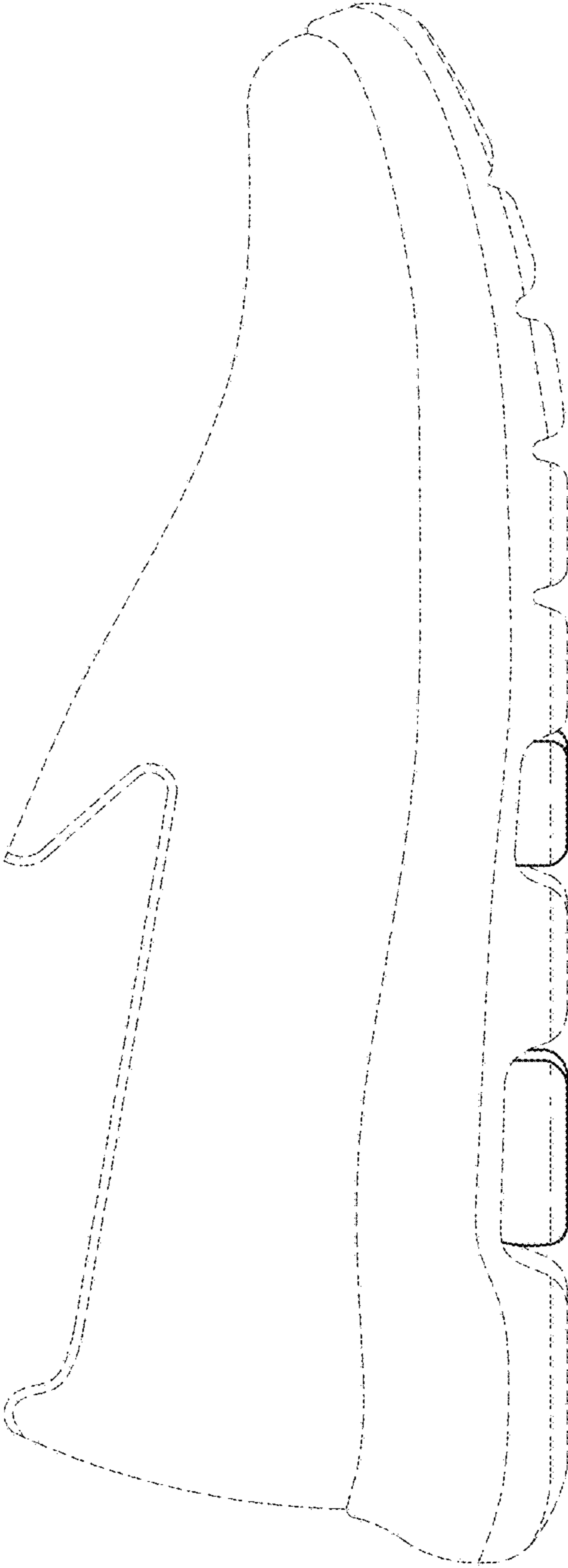


FIG. 1

FIG. 2



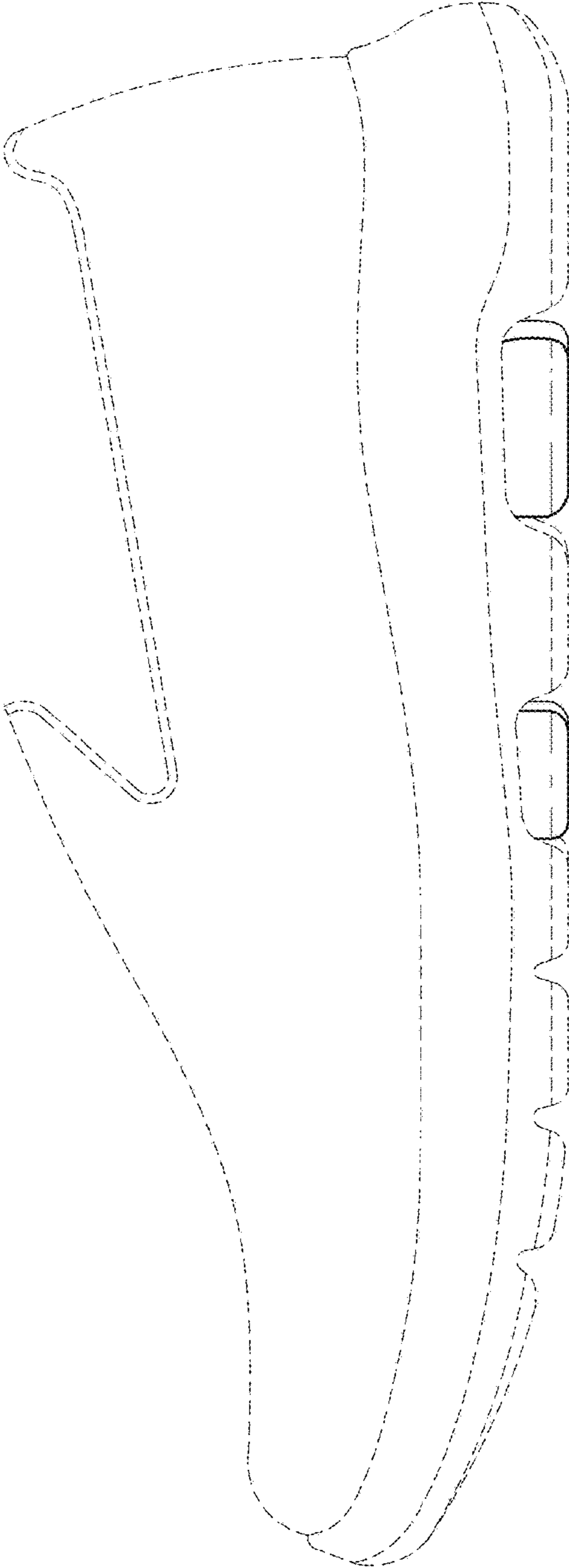


FIG. 3

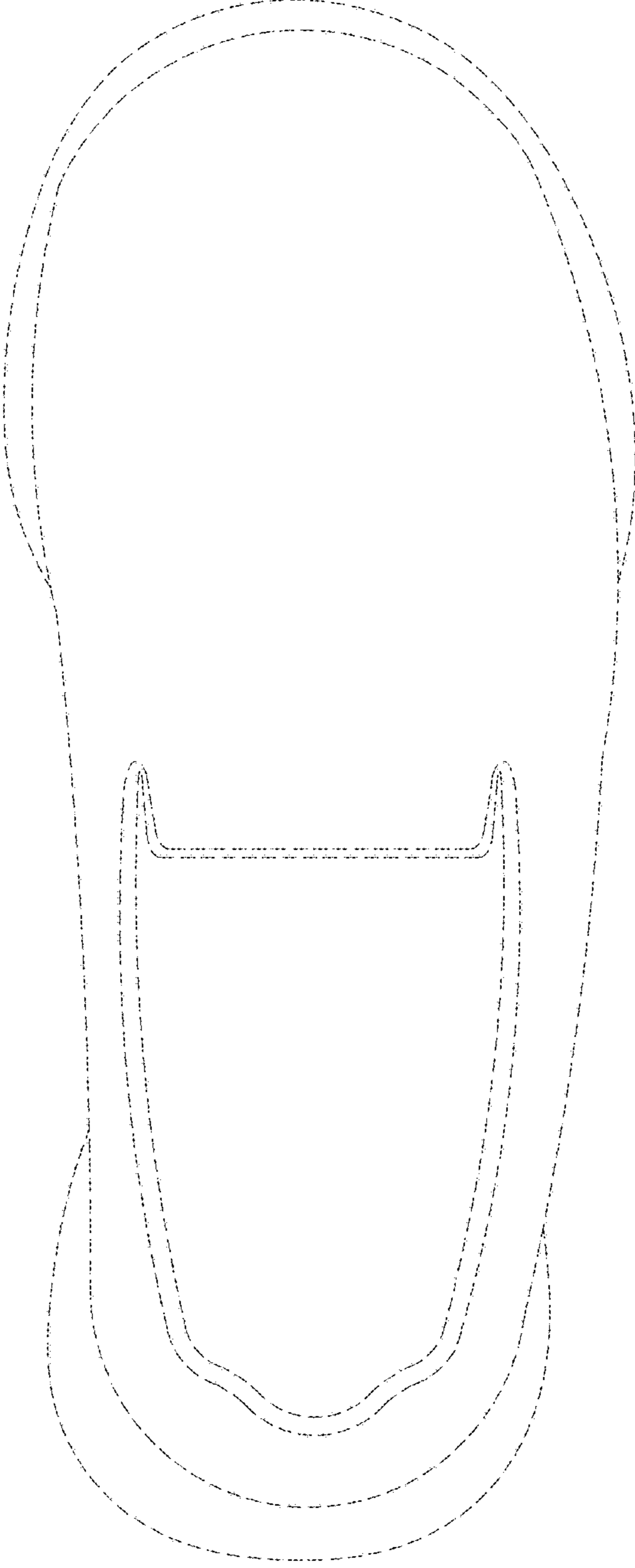


FIG. 4

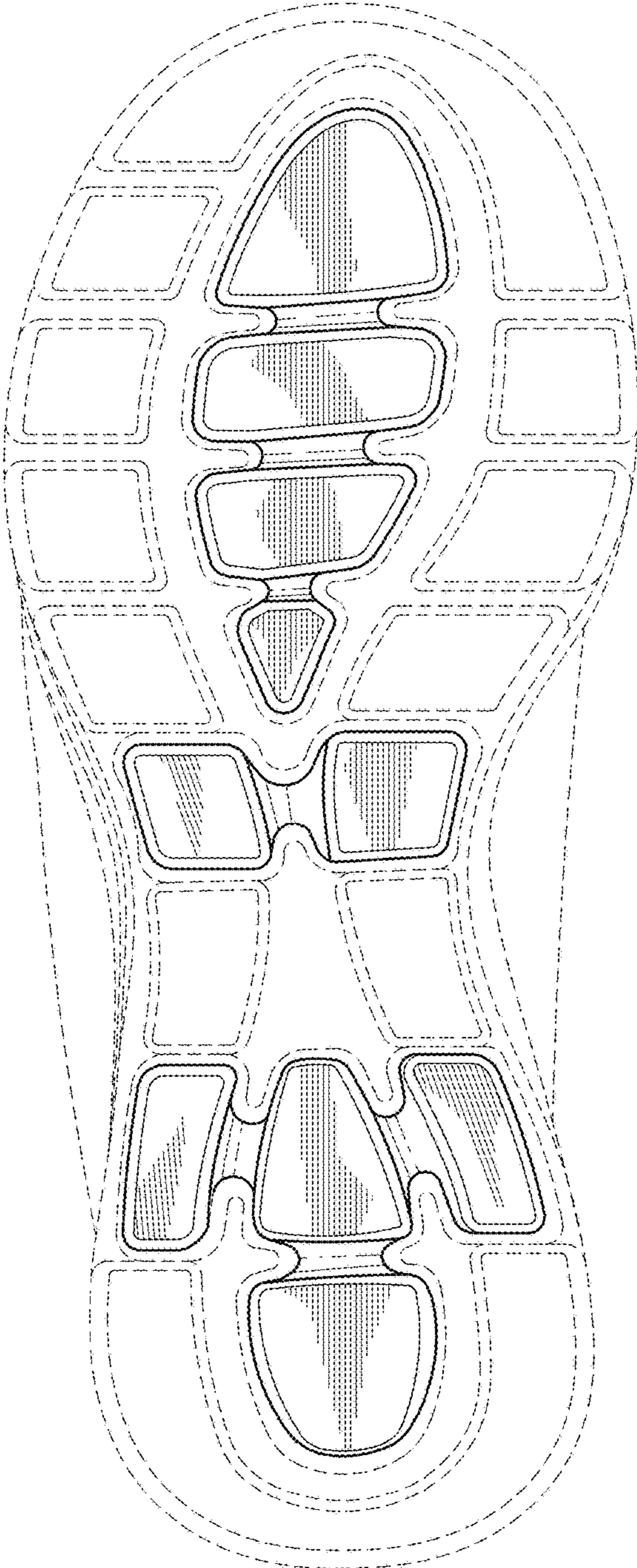


FIG. 5

FIG. 7

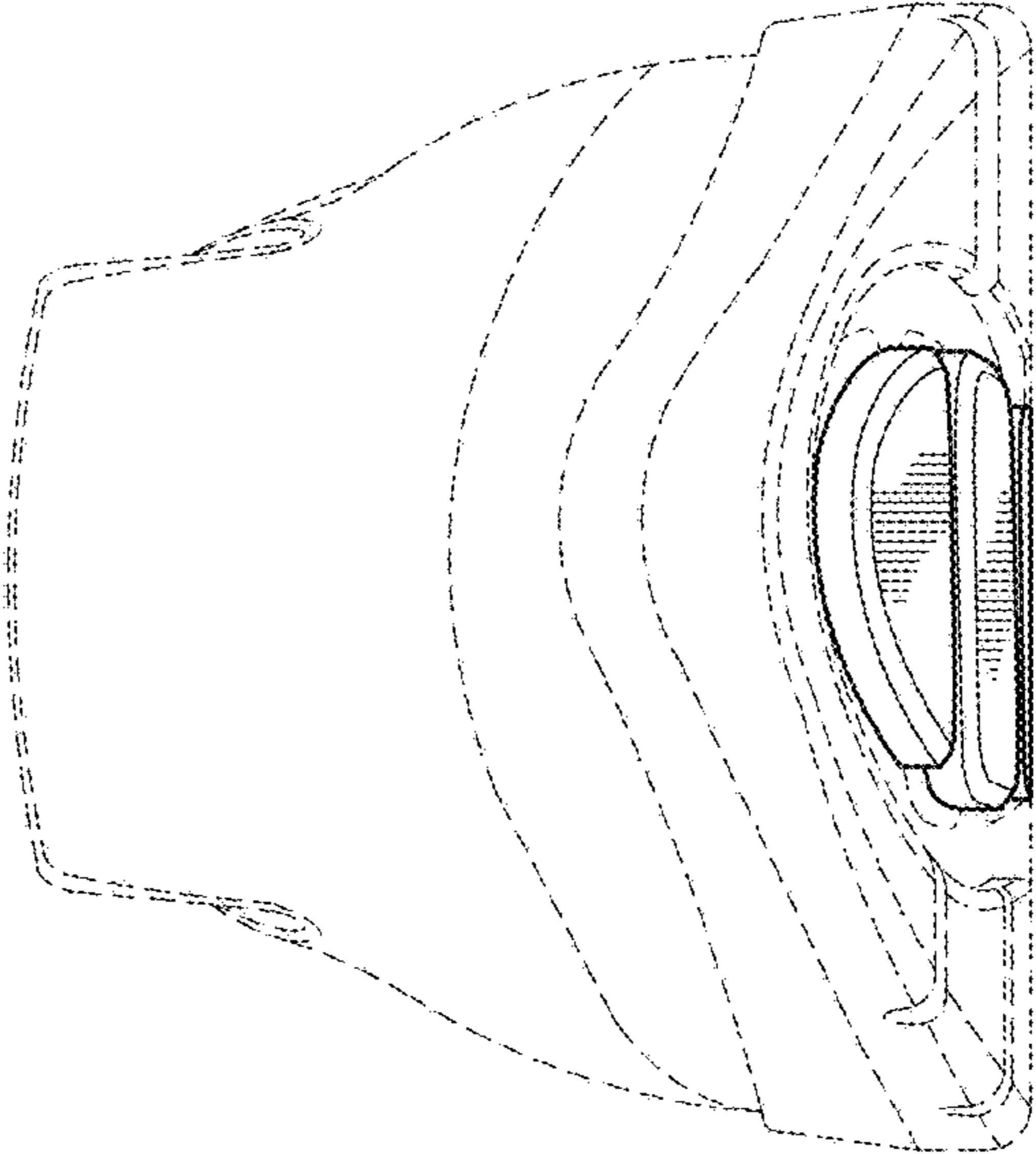


FIG. 6

