



US00D861292S

(12) **United States Design Patent**  
**Waldman**

(10) **Patent No.:** **US D861,292 S**  
(45) **Date of Patent:** **\*\* Oct. 1, 2019**

- (54) **SWIMSUIT**
- (71) Applicant: **Global Trademarks, Inc.**, Stockerton, PA (US)
- (72) Inventor: **Mark Waldman**, Annandale, NJ (US)
- (73) Assignee: **Global Trademarks, Inc.**
- (\*\*) Term: **15 Years**
- (21) Appl. No.: **29/686,246**
- (22) Filed: **Apr. 3, 2019**

- D634,510 S 3/2011 Waldman
- D635,740 S 4/2011 Waldman
- D636,559 S 4/2011 Maestrales
- D641,958 S 7/2011 Waldman
- D679,071 S 4/2013 Waldman
- 8,418,268 B2 4/2013 Waldman et al.
- D687,212 S 8/2013 Waldman et al.
- D693,542 S 11/2013 Waldman et al.
- D701,675 S 4/2014 Waldman
- 8,726,700 B2 5/2014 Waldman et al.
- D717,523 S 11/2014 Waldman

(Continued)

**Related U.S. Application Data**

- (62) Division of application No. 29/604,767, filed on May 19, 2017, now Pat. No. Des. 847,462.
- (51) **LOC (12) Cl.** ..... **02-02**
- (52) **U.S. Cl.**  
USPC ..... **D2/731**
- (58) **Field of Classification Search**  
USPC ..... D2/731, 733, 736, 737, 749, 840, 848  
CPC ..... A41D 7/00; A41D 7/006; A41D 7/008  
See application file for complete search history.

**References Cited**

**U.S. PATENT DOCUMENTS**

- 2,013,554 A 9/1935 De Benedetto
- 2,060,689 A 11/1936 Read
- 2,213,757 A \* 9/1940 Ryden ..... A41D 7/00  
450/22
- 2,418,987 A 4/1947 Reid
- 2,457,219 A 12/1948 Fischer
- 2,794,986 A \* 6/1957 Anderson ..... A41D 7/00  
450/27
- 5,359,732 A 11/1994 Waldman et al.
- D600,880 S 9/2009 Waldman
- D613,036 S 4/2010 Waldman
- D613,477 S 4/2010 Waldman
- D620,229 S 7/2010 Waldman
- D625,079 S 10/2010 Souza
- D632,053 S \* 2/2011 Schindler ..... D2/702

**FOREIGN PATENT DOCUMENTS**

FR 711270 A \* 9/1931 ..... A41D 7/00

**OTHER PUBLICATIONS**

Venus. [https://www.venus.com/productlanding.aspx?BRANCH=24-97-&ProductDisplayID=35701&clr=BSA&sc=FS75&cm\\_mmc=PLA-\\_-Google-\\_-S30817-14-BSA-\\_-BKT\\_M-UN&gclid=EAlalQobChMlndbH2e-K4gIVIODICh0OBgX\\_EAQYDiABEgJgoPD\\_BwE](https://www.venus.com/productlanding.aspx?BRANCH=24-97-&ProductDisplayID=35701&clr=BSA&sc=FS75&cm_mmc=PLA-_-Google-_-S30817-14-BSA-_-BKT_M-UN&gclid=EAlalQobChMlndbH2e-K4gIVIODICh0OBgX_EAQYDiABEgJgoPD_BwE). "High Neck Flounce One-Piece". Date unknown: Viewed May 2019 (Year: 2019).\*

*Primary Examiner* — R. Johnson

(74) *Attorney, Agent, or Firm* — The Belles Group, P.C.

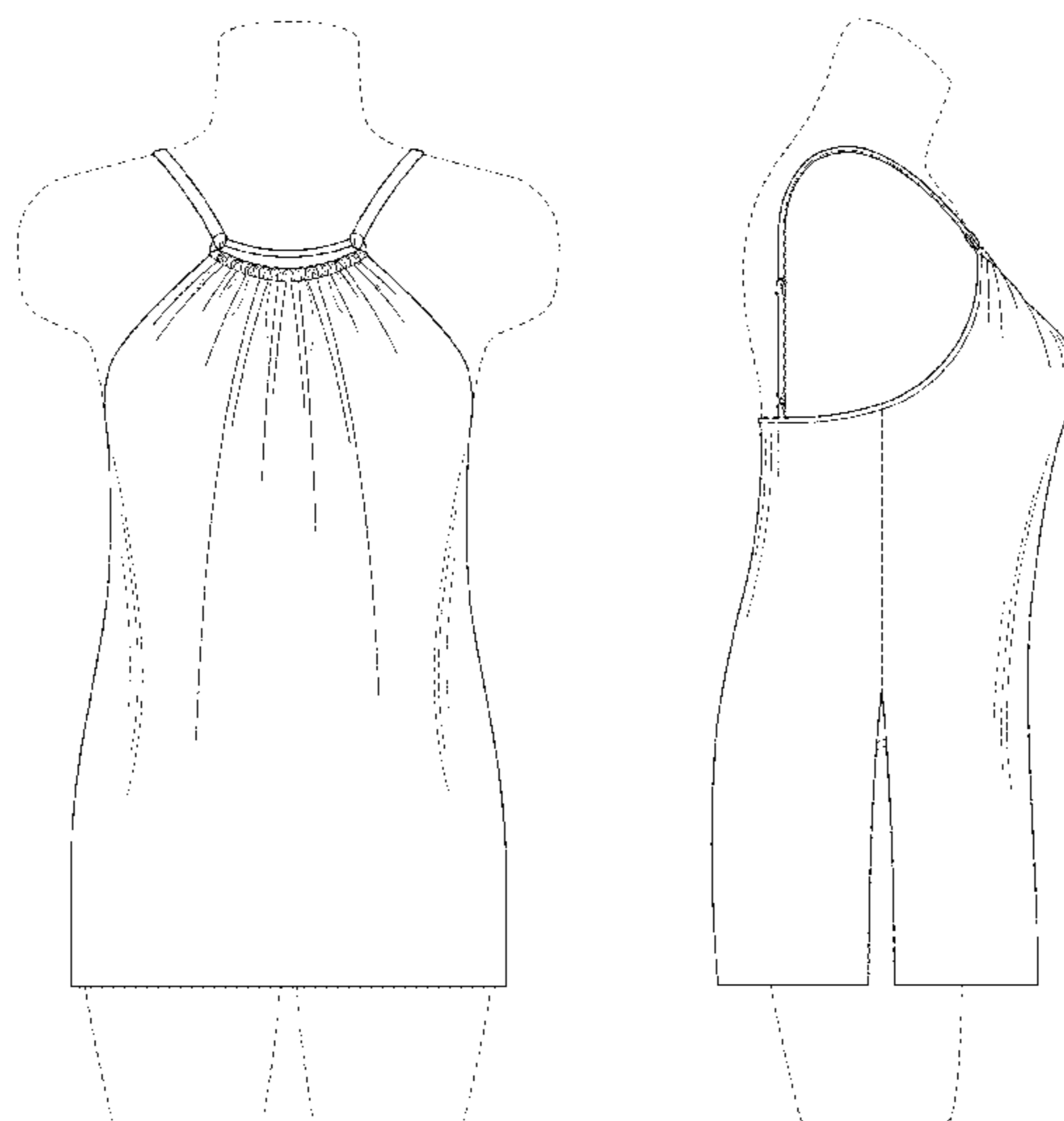
(57) **CLAIM**

The ornamental design for a swimsuit, as shown and described.

**DESCRIPTION**

FIG. 1 is a front view of a swimsuit showing the new design. FIG. 2 is a rear view thereof. FIG. 3 is a left-side view thereof; and, FIG. 4 is a right-side view thereof. The broken line showing of a model is for the purpose of illustrating environmental structure and forms no part of the claimed design.

**1 Claim, 4 Drawing Sheets**



(56)

**References Cited**

U.S. PATENT DOCUMENTS

8,990,965	B2	3/2015	Waldman et al.	
D728,896	S	5/2015	Waldman	
D728,897	S	5/2015	Waldman	
D729,496	S	5/2015	Tucker	
D730,620	S	6/2015	Tucker	
D731,145	S	6/2015	Davis	
D731,146	S	6/2015	Dweck	
D731,749	S	6/2015	Waldman	
D755,476	S *	5/2016	Waldman .....	D2/735
D791,438	S *	7/2017	Holmes .....	D2/735
D794,906	S *	8/2017	Waldman .....	D2/731
D834,786	S *	12/2018	Waldman .....	D2/731
D845,585	S *	4/2019	Waldman .....	D2/731
D846,835	S *	4/2019	Waldman .....	D2/731
2016/0088881	A1 *	3/2016	Wilkins .....	A41D 1/22 2/69

\* cited by examiner

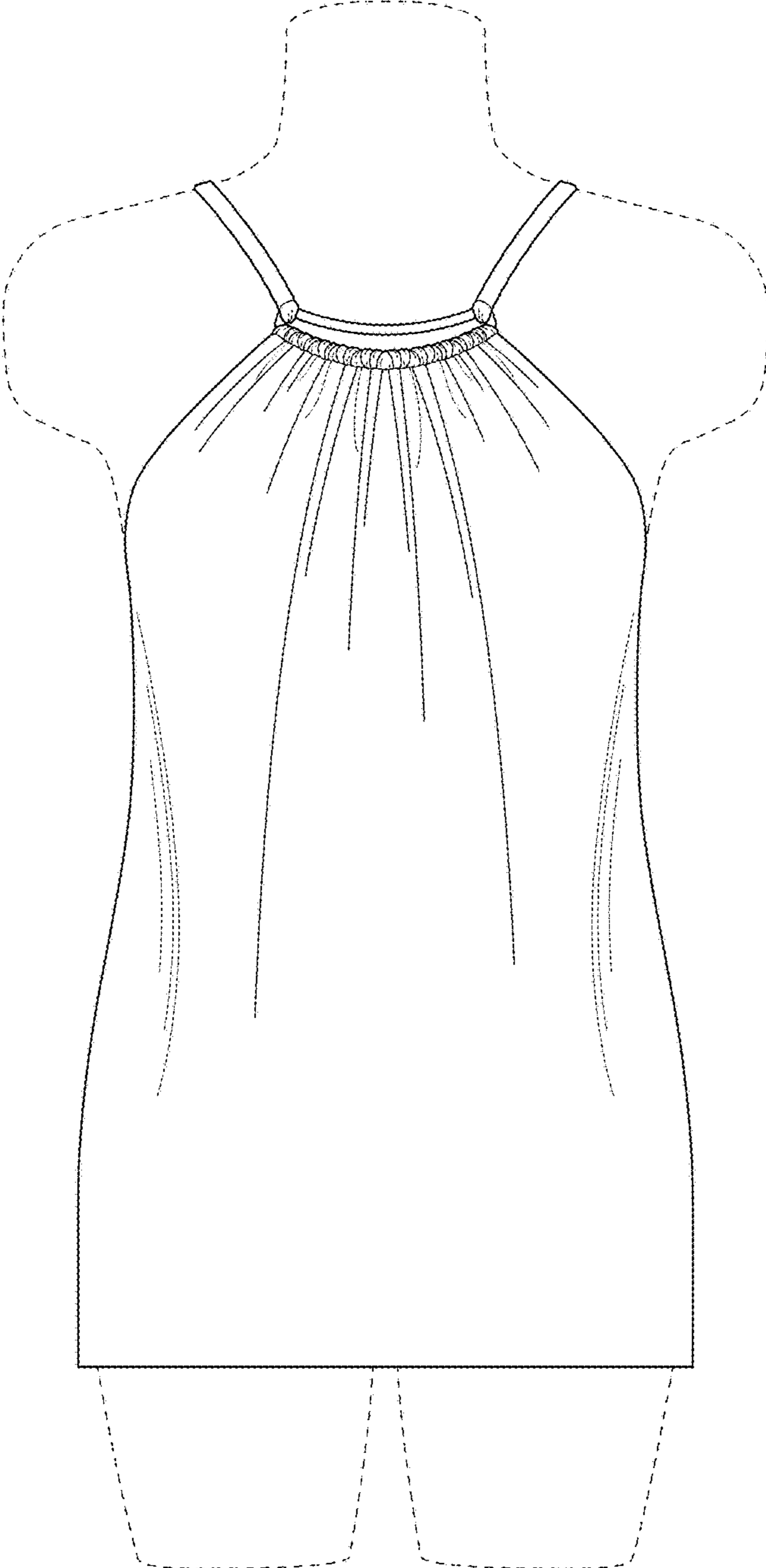


FIG. 1

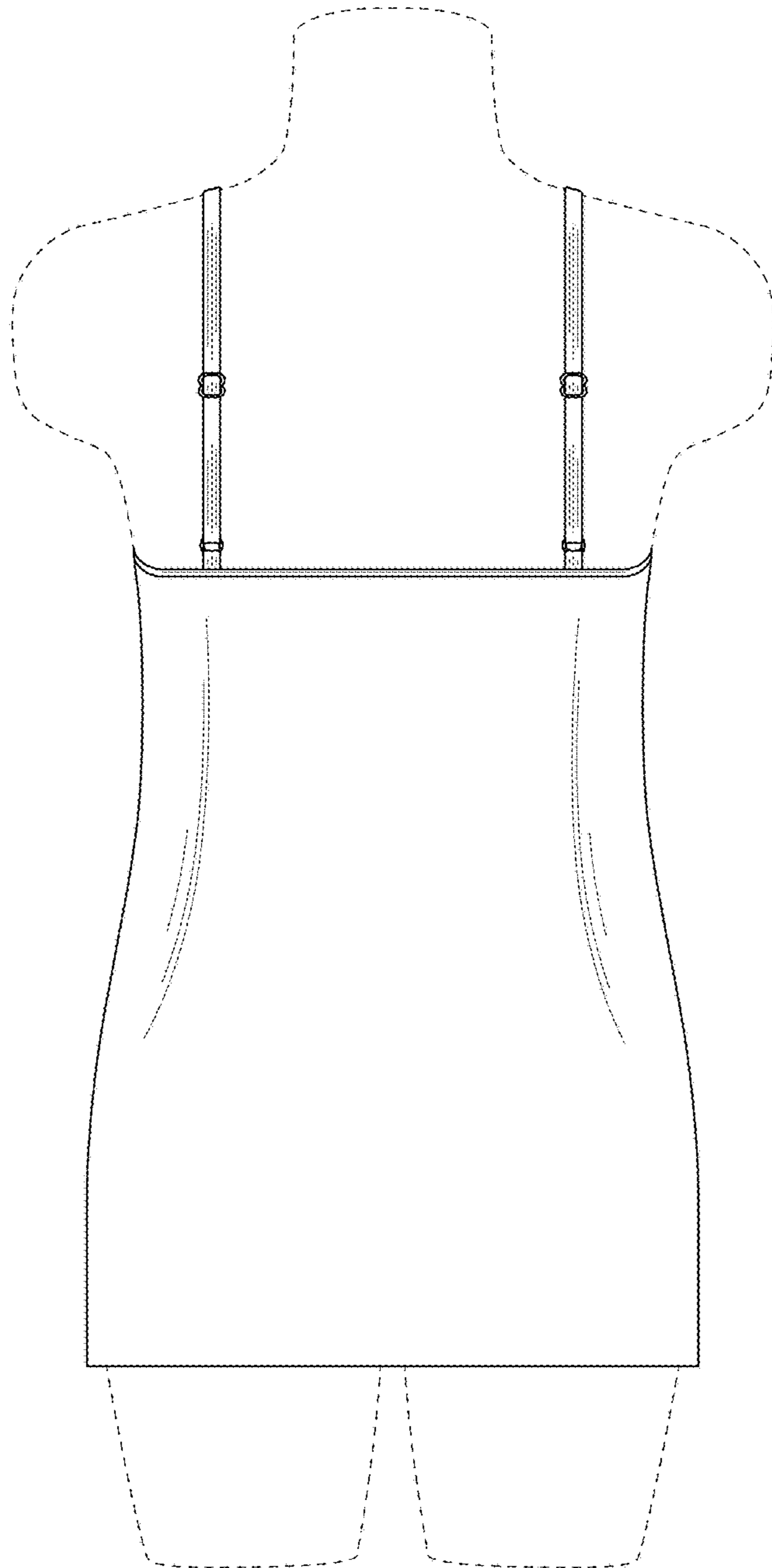


FIG. 2

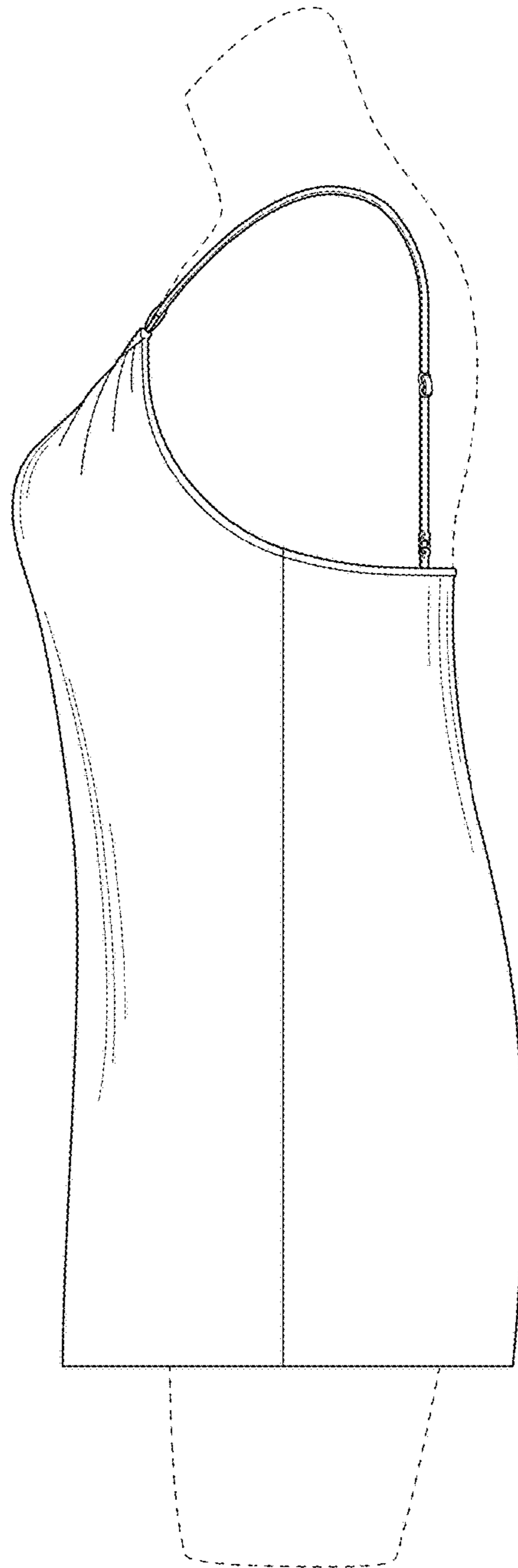


FIG. 3

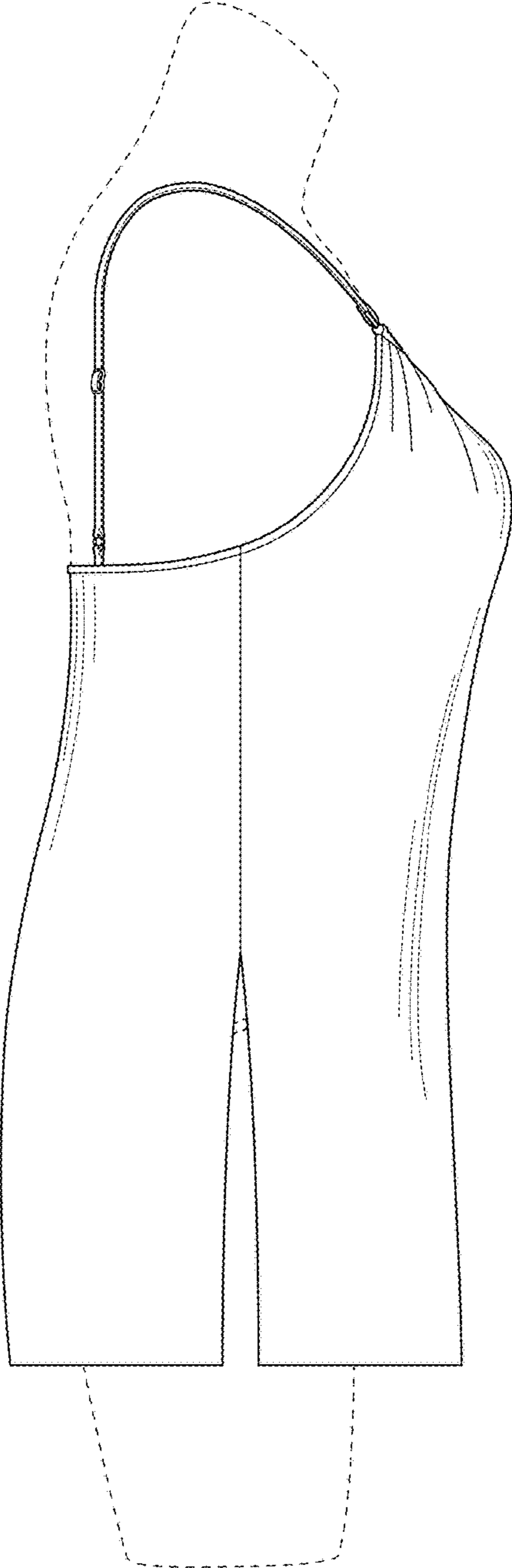


FIG. 4