



US00D861288S

(12) **United States Design Patent** (10) **Patent No.:** **US D861,288 S**  
**Suh** (45) **Date of Patent:** **\*\* Oct. 1, 2019**

(54) **PANTIES**  
(71) Applicant: **Sang Wook Suh**, Seoul (KR)  
(72) Inventor: **Sang Wook Suh**, Seoul (KR)  
(\*\*) Term: **15 Years**  
(21) Appl. No.: **35/505,467**  
(22) Filed: **May 18, 2018**

D494,738 S \* 8/2004 Kirkup ..... D2/712  
D528,265 S \* 9/2006 Inman ..... D2/712  
D610,778 S \* 3/2010 Costanzo ..... D2/712  
7,931,639 B2 \* 4/2011 Suga ..... A61F 13/72  
2/109  
D684,748 S \* 6/2013 Carney ..... D2/712  
D796,786 S \* 9/2017 Freedman ..... D2/731  
2001/0020158 A1 \* 9/2001 Nozaki ..... A61F 13/49  
604/402  
2006/0282932 A1 \* 12/2006 Harris ..... A41B 9/002  
2/67

(80) **Hague Agreement Data**  
Int. Filing Date: **May 18, 2018**  
Int. Reg. No.: **DM/102078**  
Int. Reg. Date: **May 18, 2018**  
Int. Reg. Pub. Date: **Aug. 10, 2018**

\* cited by examiner

*Primary Examiner* — Melanie Pellegrini

(51) **LOC (12) Cl.** ..... **02-01**  
(52) **U.S. Cl.**  
USPC ..... **D2/712**  
(58) **Field of Classification Search**  
USPC ..... D2/700, 701, 702, 704, 711, 712, 713,  
D2/731, 732, 735, 738, 742, 743, 744,  
D2/745, 746, 747  
CPC .. A41F 9/00; A41B 9/00; A41B 9/002; A41B  
9/004; A41B 9/04; A41D 1/06; A61F  
13/72  
See application file for complete search history.

(57) **CLAIM**

The ornamental design for panties, as shown and described.

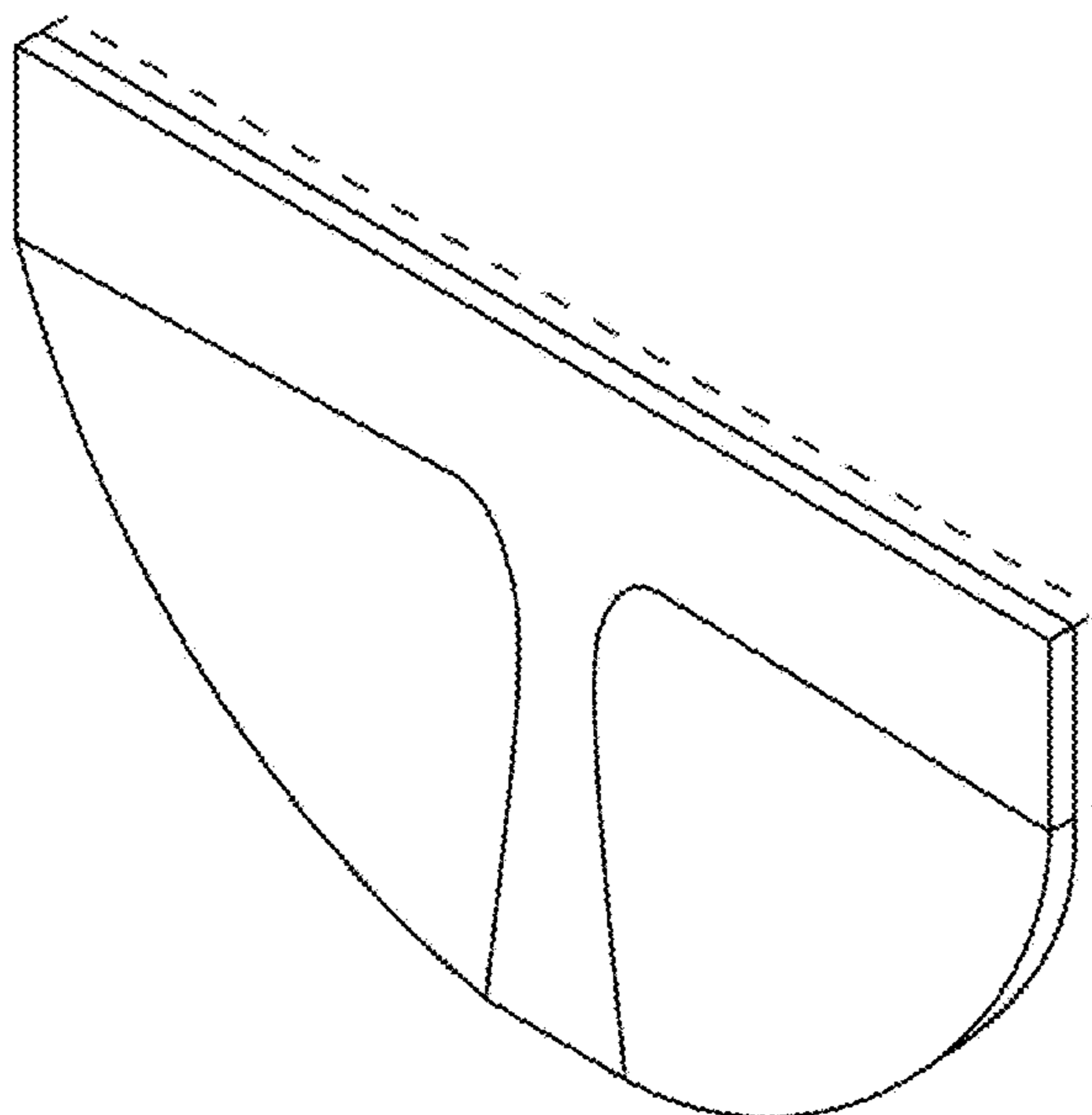
**DESCRIPTION**

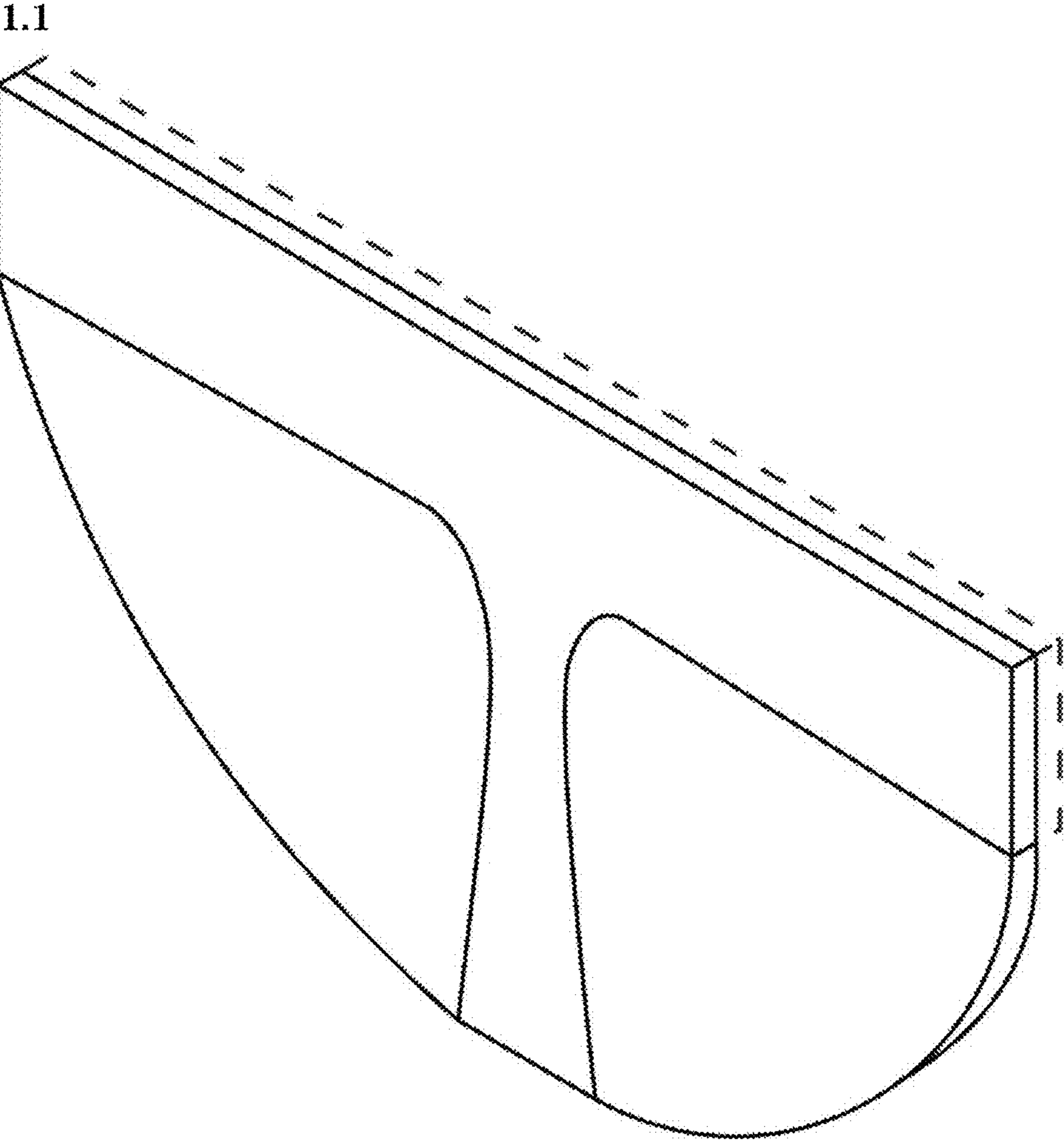
- 1. Panties
- 1.1 : Rear Isometric View
- 1.2 : Front
- 1.3 : Back
- 1.4 : Left
- 1.5 : Right
- 1.6 : Top
- 1.7 : Bottom
- 1.8 : Exploded View

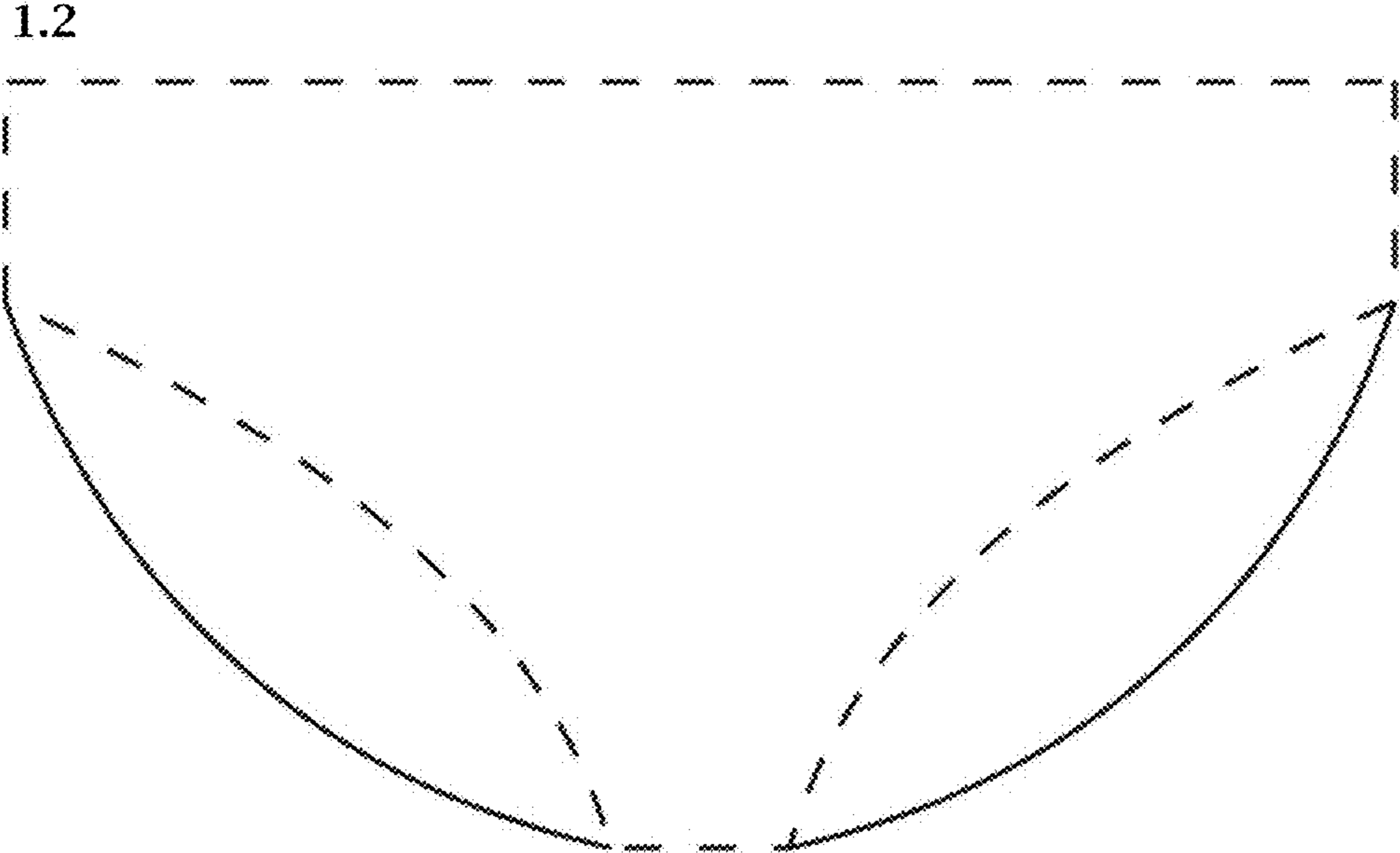
The broken lines in the drawings represent portions of the panties which form no part of the claimed design.

**1 Claim, 8 Drawing Sheets**

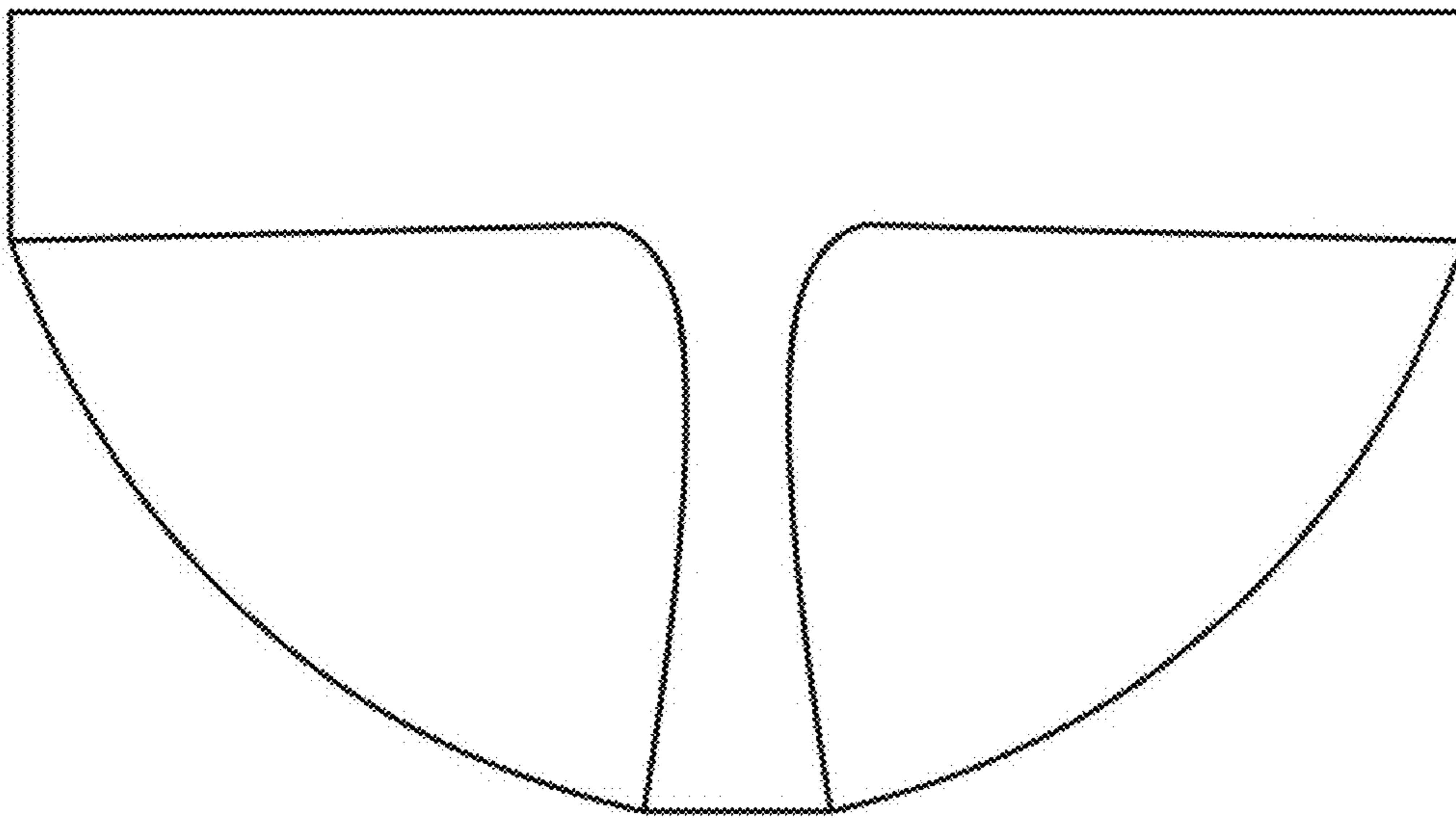
(56) **References Cited**  
U.S. PATENT DOCUMENTS  
265,733 A \* 10/1882 Anderson ..... A41B 9/04  
2/401  
2,250,218 A \* 7/1941 Cadous ..... A41B 9/04  
2/401







1.3



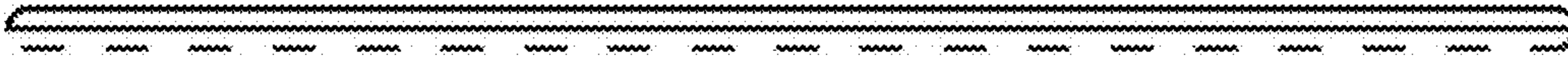
1.4



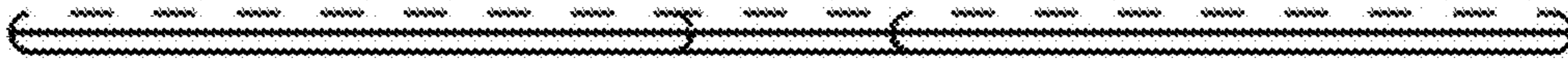
1.5



1.6



1.7





1.8

