



US00D861279S

(12) **United States Design Patent** (10) **Patent No.:** **US D861,279 S**
Marmon et al. (45) **Date of Patent:** **** Sep. 24, 2019**

(54) **DOCK BOARD**

(71) Applicant: **Discount Ramps.com, LLC**, West Bend, WI (US)

(72) Inventors: **Lawrence Marmon**, Milwaukee, WI (US); **Robert Krolski**, Milwaukee, WI (US)

(73) Assignee: **Discount Ramps.com, LLC**, West Bend, WI (US)

(**) Term: **15 Years**

(21) Appl. No.: **29/615,873**

(22) Filed: **Aug. 31, 2017**

(51) **LOC (12) Cl.** **12-05**

(52) **U.S. Cl.**
USPC **D34/32**

(58) **Field of Classification Search**
USPC D34/28, 32
CPC B65G 69/28; B65G 69/30; B60R 9/06;
B60R 9/10; B60P 1/43; B60P 1/431;
B60P 3/1025

See application file for complete search history.

(56) **References Cited**

U.S. PATENT DOCUMENTS

- 3,781,934 A * 1/1974 Pink B65G 69/30
14/69.5
- D300,073 S * 2/1989 Crump D34/32
- D382,676 S * 8/1997 Holbrook D30/119
- D494,336 S * 8/2004 Smith D34/32
- 9,050,229 B1 * 6/2015 Morris A61G 3/061
- D804,767 S * 12/2017 Wojdyla D34/32
- D829,402 S * 9/2018 Hendrickson D34/32
- D835,877 S * 12/2018 Hendrickson D34/32

- D836,878 S * 12/2018 Adriani D34/32
- 2007/0234491 A1 * 10/2007 Bailie B65G 69/30
14/69.5
- 2009/0300859 A1 * 12/2009 Lucht B65G 69/30
14/69.5

OTHER PUBLICATIONS

- “Blue Manufacturing Steel Rail Board”, by Discount Ramps, website visited Aug. 28, 2017, <http://www.discountramps.com/railboard/p/RAILBOARD/>.
- “Bluff Manufacturing Steel Red Pin Dock Board”, by Discount Ramps, website visited Aug. 28, 2017, <http://www.discountramps.com/heavy-duty-dock-board/p/BLUFF-HD-DOCK-BOARDS/>.
- “Bluff Manufacturing Steel Shipping Container Ramps”, by Discount Ramps, website visited Aug. 28, 2017, <http://www.discountramps.com/steel-container-ramp/p/BLUFF-CONTAINER-RAMPS/>.
- “Bluff Manufacturing Steel T-Series Dock Board”, by Discount Ramps, website visited Aug. 28, 2017, <http://www.discountramps.com/steel-dock-plate/p/BLUFF-HDT-DOCK-BOARDS/>.

(Continued)

Primary Examiner — Cynthia Ramirez
(74) *Attorney, Agent, or Firm* — Andrus Intellectual Property Law, LLP

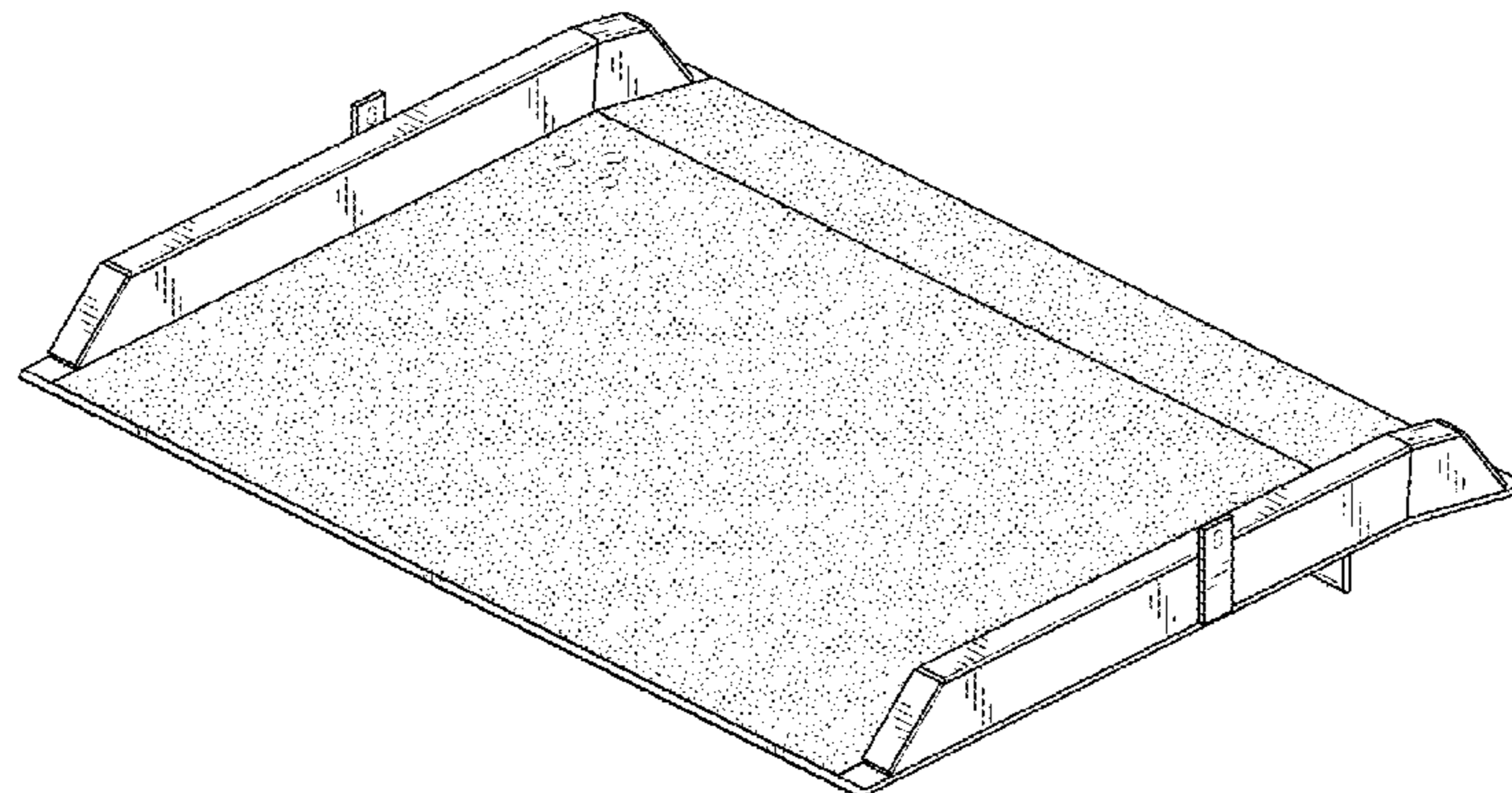
(57) **CLAIM**

The ornamental design for a dock board, as shown and described.

DESCRIPTION

FIG. 1 is a perspective view of a dock board;
FIG. 2 is a top view thereof;
FIG. 3 is a front view thereof;
FIG. 4 is a left side view thereof;
FIG. 5 is a right side view thereof;
FIG. 6 is a back view thereof; and,
FIG. 7 is a bottom view thereof.
The broken lines in the figures are to show portions of the dock board which form no part of the claimed design. The stippling in the claimed design denotes surface contrast.

1 Claim, 4 Drawing Sheets



(56)

References Cited

OTHER PUBLICATIONS

“Bluff Manufacturing Steel Welded Dock Board”, by Discount Ramps, website visited Aug. 28, 2017, <http://www.discountramps.com/steel-dock-board/p/BLUFF-STEEL-DOCK-BOARDS/>.

“Guardian Aluminum Dock Board”, by Discount Ramps, website visited Aug. 28, 2017, <http://www.discountramps.com/aluminum-dock-board/p/ADB/>.

“Guardian Aluminum Dock Plate”, by Discount Ramps, website visited Aug. 28, 2017, <http://www.discountramps.com/dock-plates/p/ADP-X/>.

“Guardian Steel Dock Board”, by Discount Ramps, website visited Aug. 28, 2017, <http://www.discountramps.com/dock-boards/p/SDB-13/>.

“Guardian Aluminum Shipping Container Ramp”, by Discount Ramps, website visited Aug. 28, 2017, <http://www.discountramps.com/shipping-container-ramp/p/05-36-036-06-Grit/>.

* cited by examiner

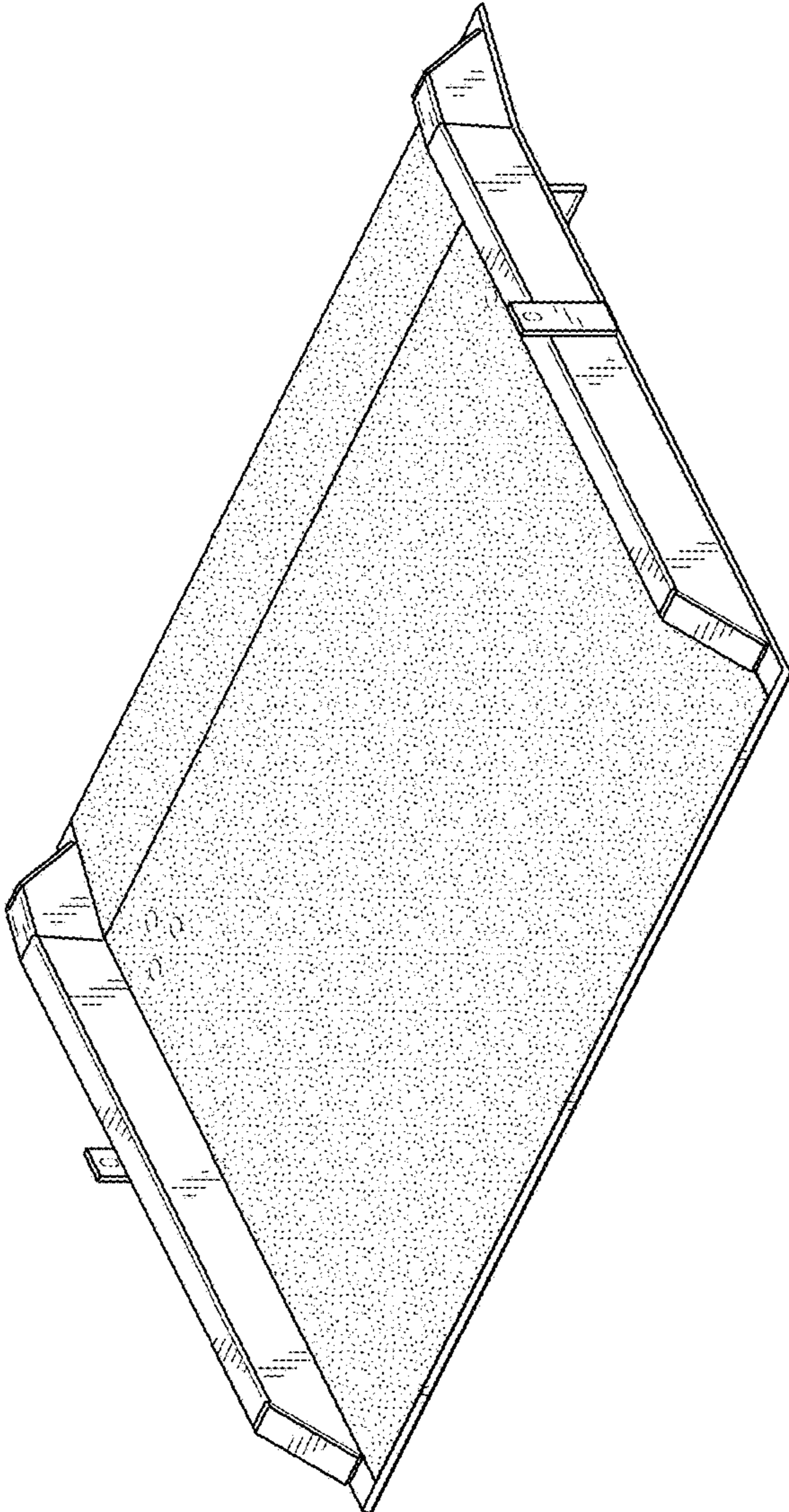


FIG. 1



FIG. 2

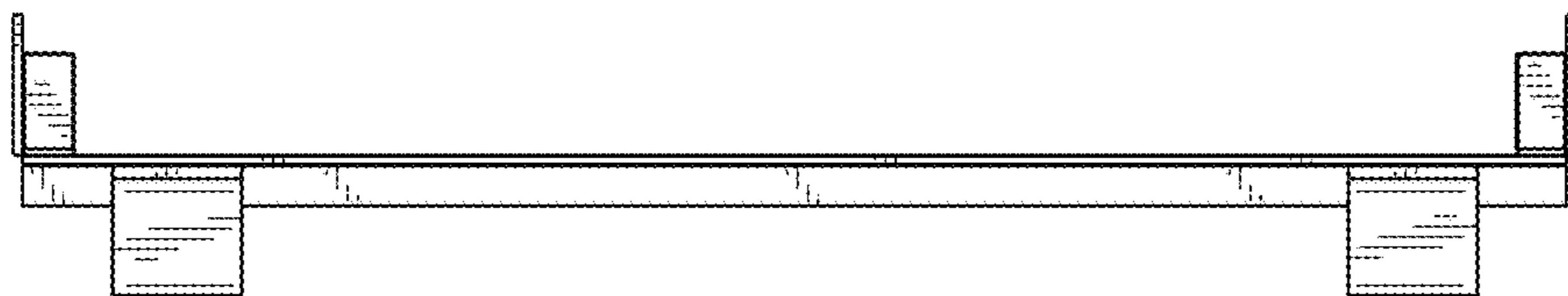


FIG. 3

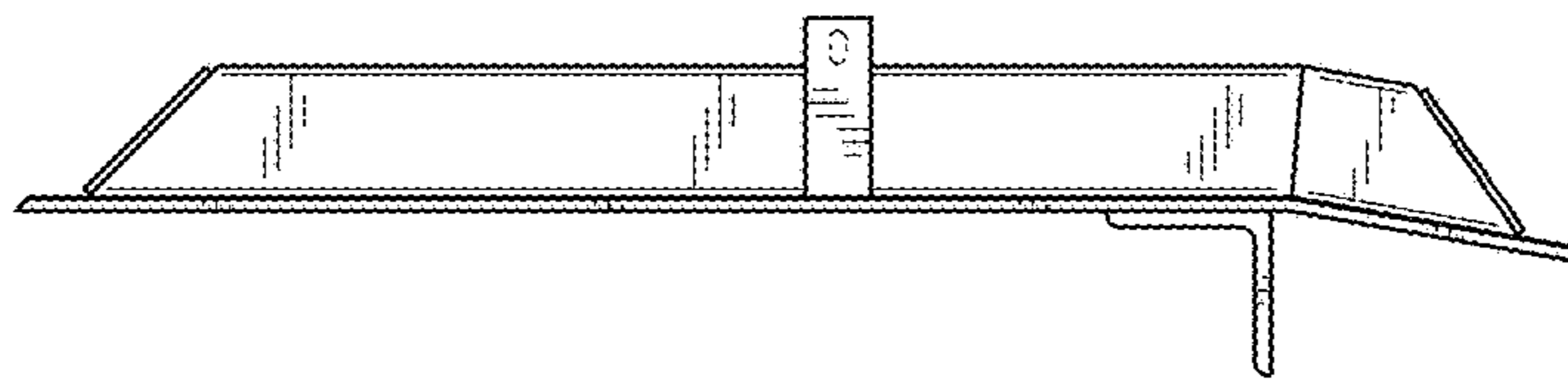


FIG. 4

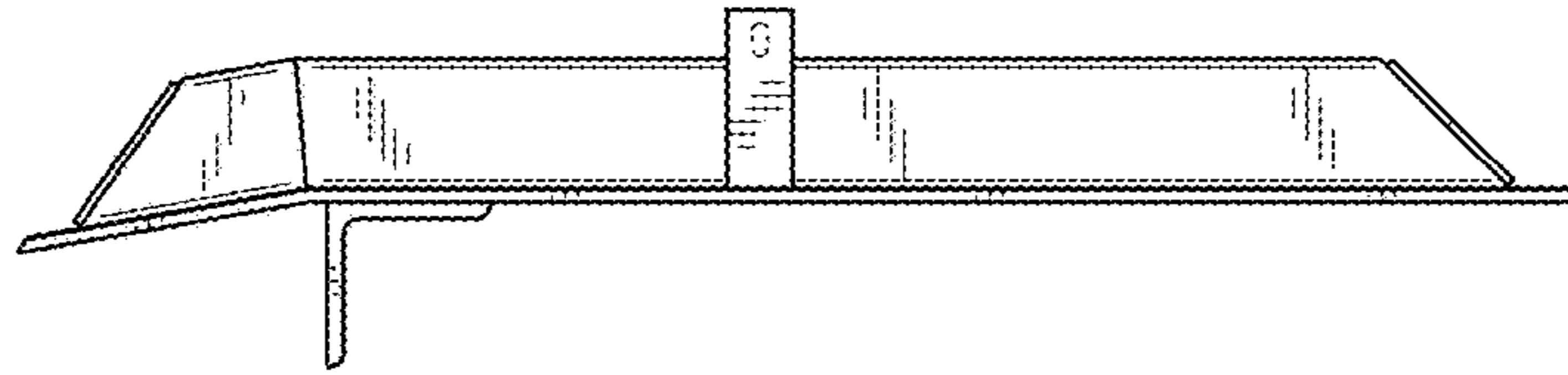


FIG. 5

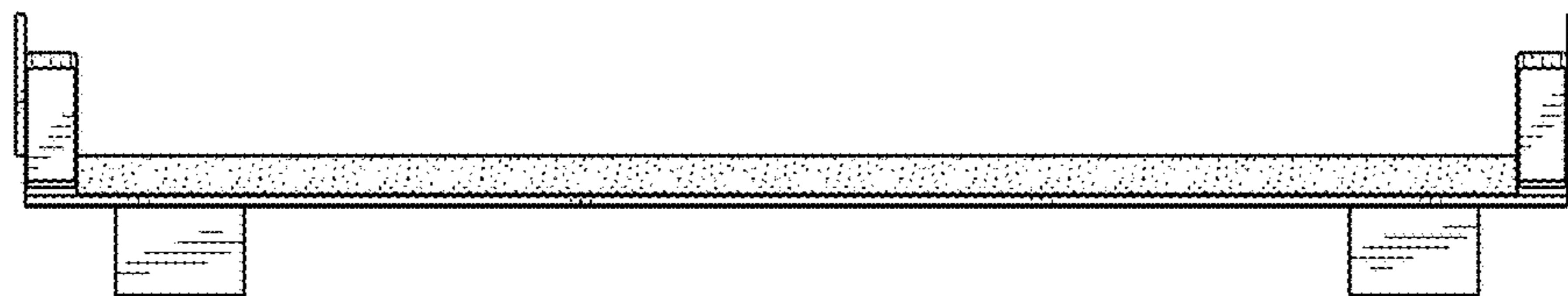


FIG. 6

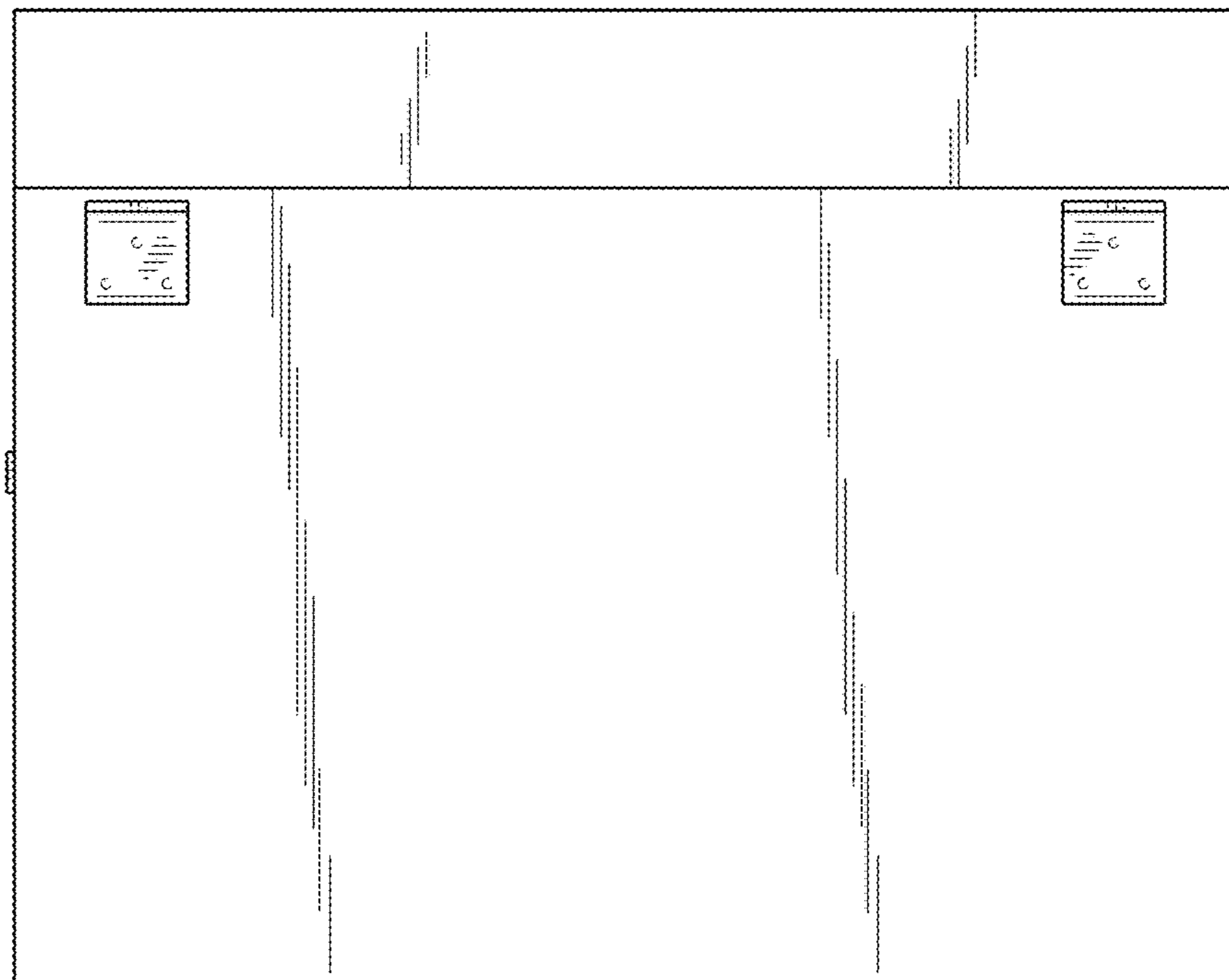


FIG. 7