



US00D861278S

(12) **United States Design Patent** (10) **Patent No.:** **US D861,278 S**
Pang (45) **Date of Patent:** **** Sep. 24, 2019**

(54) **MULTI-FUNCTIONAL FOLDING CART**
(71) Applicant: **QINGDAO ZHENGTAO TOOL CO., LTD.**, Qingdao (CN)
(72) Inventor: **Wei Pang**, Qingdao (CN)
(73) Assignee: **QINGDAO ZHENGTAO TOOL CO., LTD.**, Qingdao (CN)
(**) Term: **15 Years**

D819,917 S * 6/2018 Simpson D34/12
D826,507 S * 8/2018 Wernberg D34/12
10,040,470 B1 * 8/2018 Horowitz B62B 5/0013
D827,722 S * 9/2018 Sun D21/425
2009/0232633 A1 * 9/2009 Stamps B62B 3/02
414/814
2014/0001735 A1 * 1/2014 Yang B62B 3/02
280/651
2015/0035258 A1 * 2/2015 Chen B62B 3/02
280/651
2017/0015340 A1 * 1/2017 Fitzwater B62B 3/022
2018/0170418 A1 * 6/2018 Choi B29C 35/02
2018/0327011 A1 * 11/2018 Horowitz B62B 3/02

(21) Appl. No.: **29/627,577**

* cited by examiner

(22) Filed: **Nov. 28, 2017**

Primary Examiner — Cynthia Ramirez

(30) **Foreign Application Priority Data**

(74) *Attorney, Agent, or Firm* — Buchanan Ingersoll & Rooney PC

Jul. 17, 2017 (CN) 2017 1 0580437

(51) **LOC (12) Cl.** **12-02**

(52) **U.S. Cl.**
USPC **D34/12; D21/425**

(58) **Field of Classification Search**
USPC D21/425; D34/12
CPC .. B62B 3/00; B62B 3/02; B62B 3/007; B62B 5/08; B62B 5/082
See application file for complete search history.

(57) **CLAIM**

The ornamental design for a multi-functional folding cart, as shown and described.

(56) **References Cited**

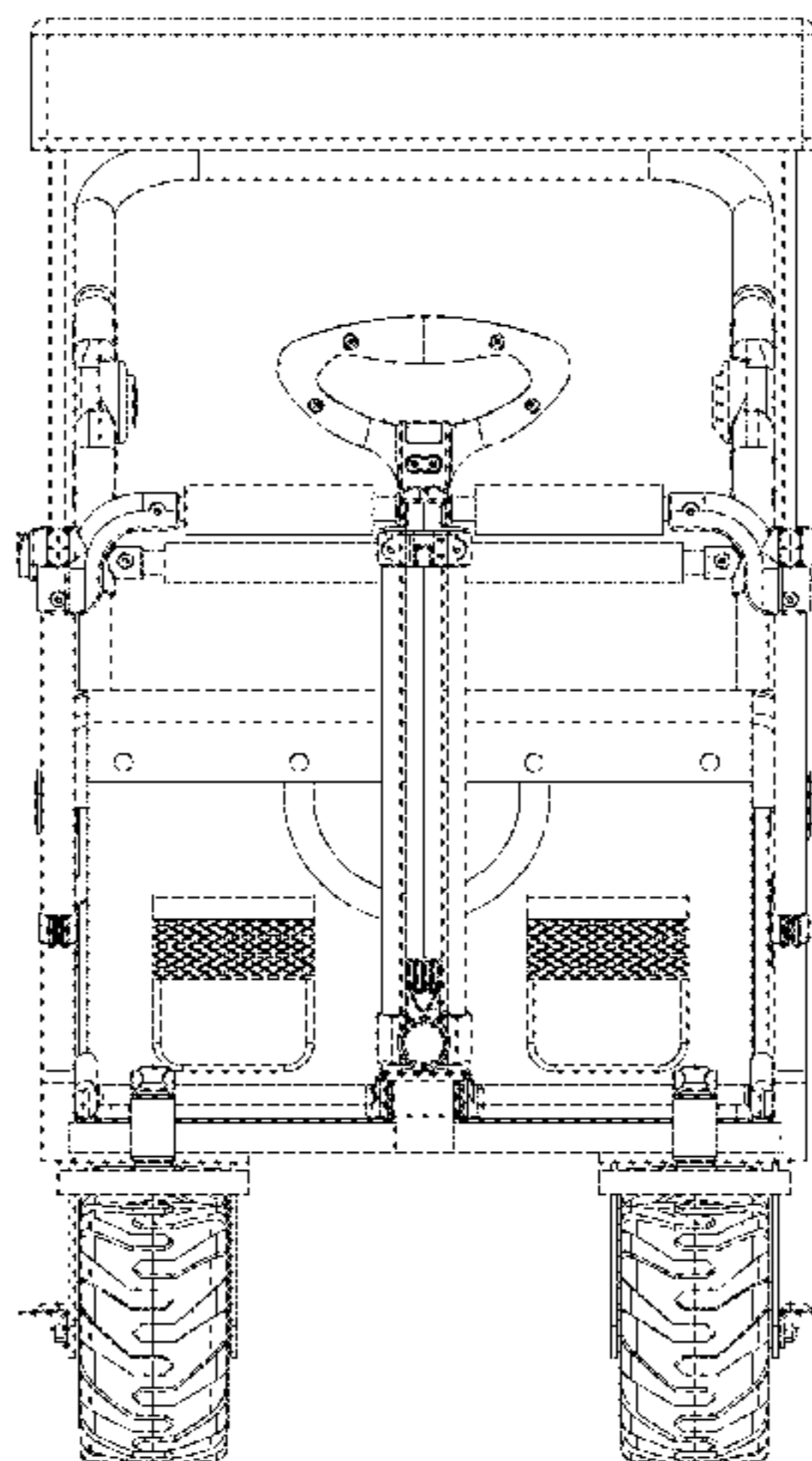
U.S. PATENT DOCUMENTS

D198,920 S * 8/1964 Corbett D34/13
D304,111 S * 10/1989 Mehalick D34/18
4,998,742 A * 3/1991 Maynard B62B 3/02
280/35
7,097,182 B1 * 8/2006 Liu B62B 3/02
280/42
D535,802 S * 1/2007 Wittkowski D34/12
D661,451 S * 6/2012 Armstrong, Sr. D34/17
D730,010 S * 5/2015 Jin D34/12
D748,739 S * 2/2016 Horowitz D21/425
D763,532 S * 8/2016 Huang D34/12
D794,133 S * 8/2017 Ostergaard D21/425

DESCRIPTION

FIG. 1 is a front elevational view of a multi-functional folding cart showing my new design;
FIG. 2 is a rear elevational view thereof;
FIG. 3 is a left side elevational view thereof, the right side being a mirror image;
FIG. 4 is a top plan view thereof;
FIG. 5 is a bottom plan view thereof;
FIG. 6 is a perspective view thereof;
FIG. 7 is a front elevational view thereof, with the top and the basket removed for clarity;
FIG. 8 is a rear elevational view thereof;
FIG. 9 is a left side elevational view thereof;
FIG. 10 is a right side elevational view thereof;
FIG. 11 is a top plan view thereof;
FIG. 12 is a bottom plan view thereof; and,
FIG. 13 is a perspective view thereof.

1 Claim, 13 Drawing Sheets



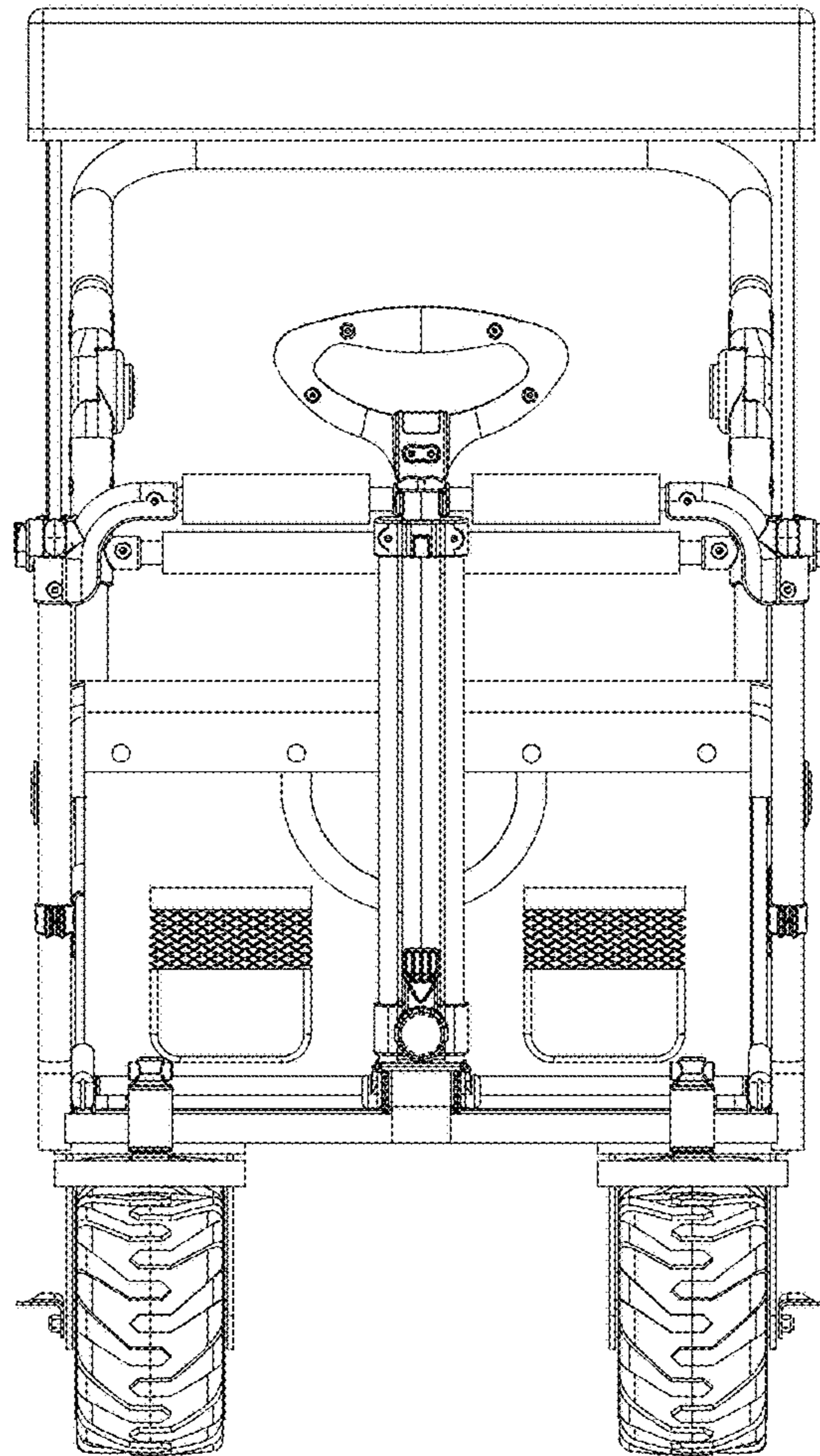


FIG. 1

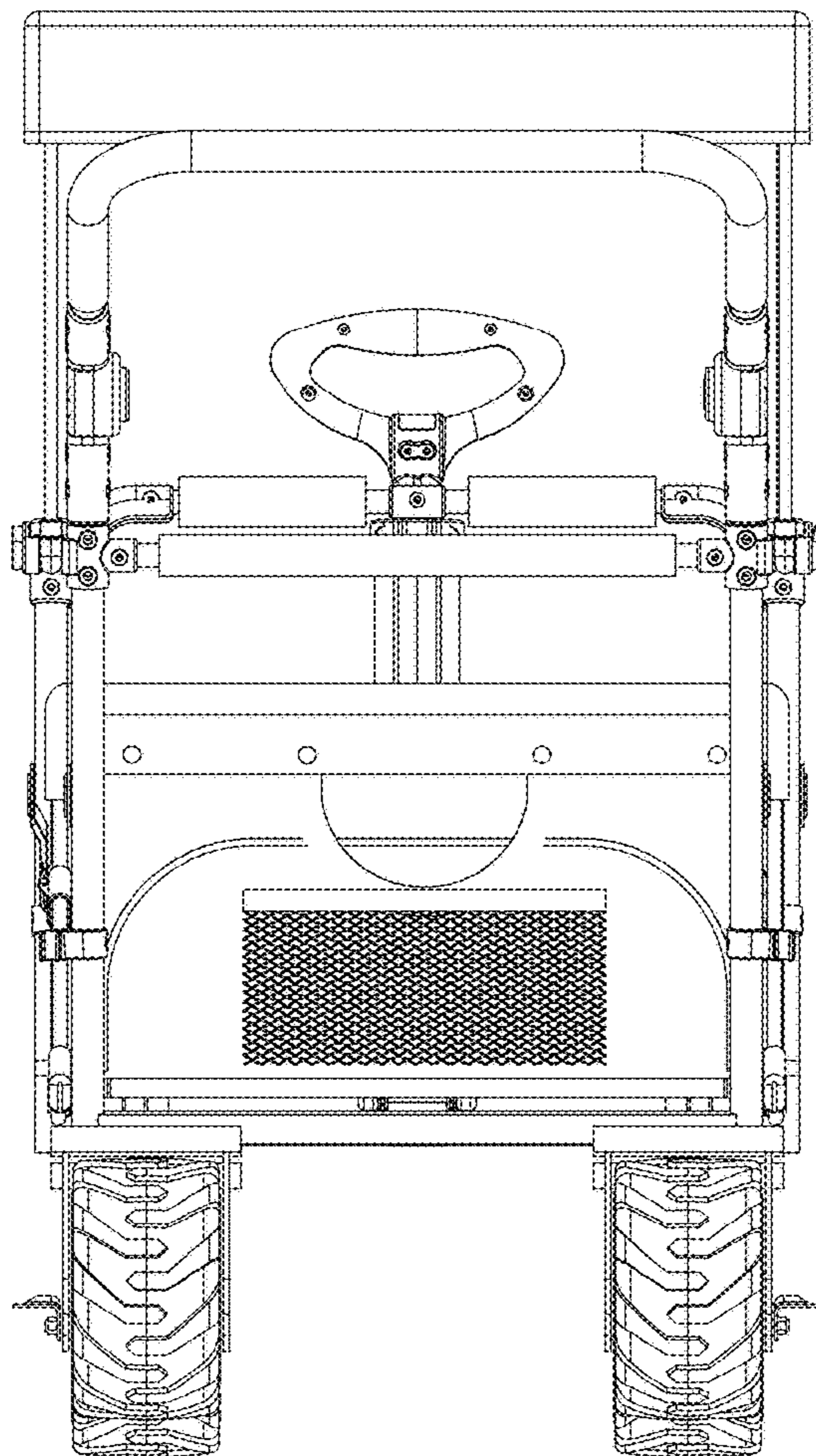


FIG. 2

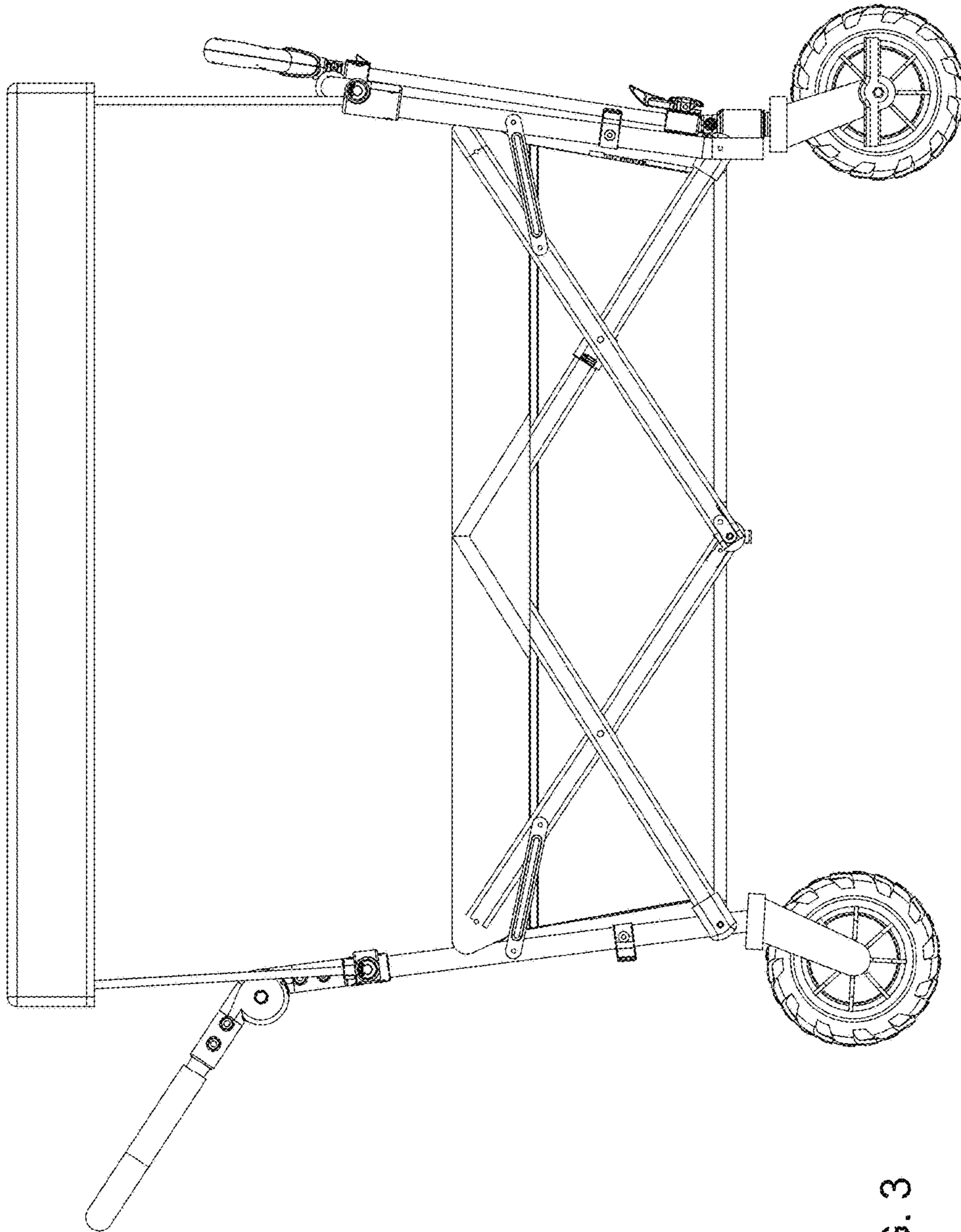


FIG. 3

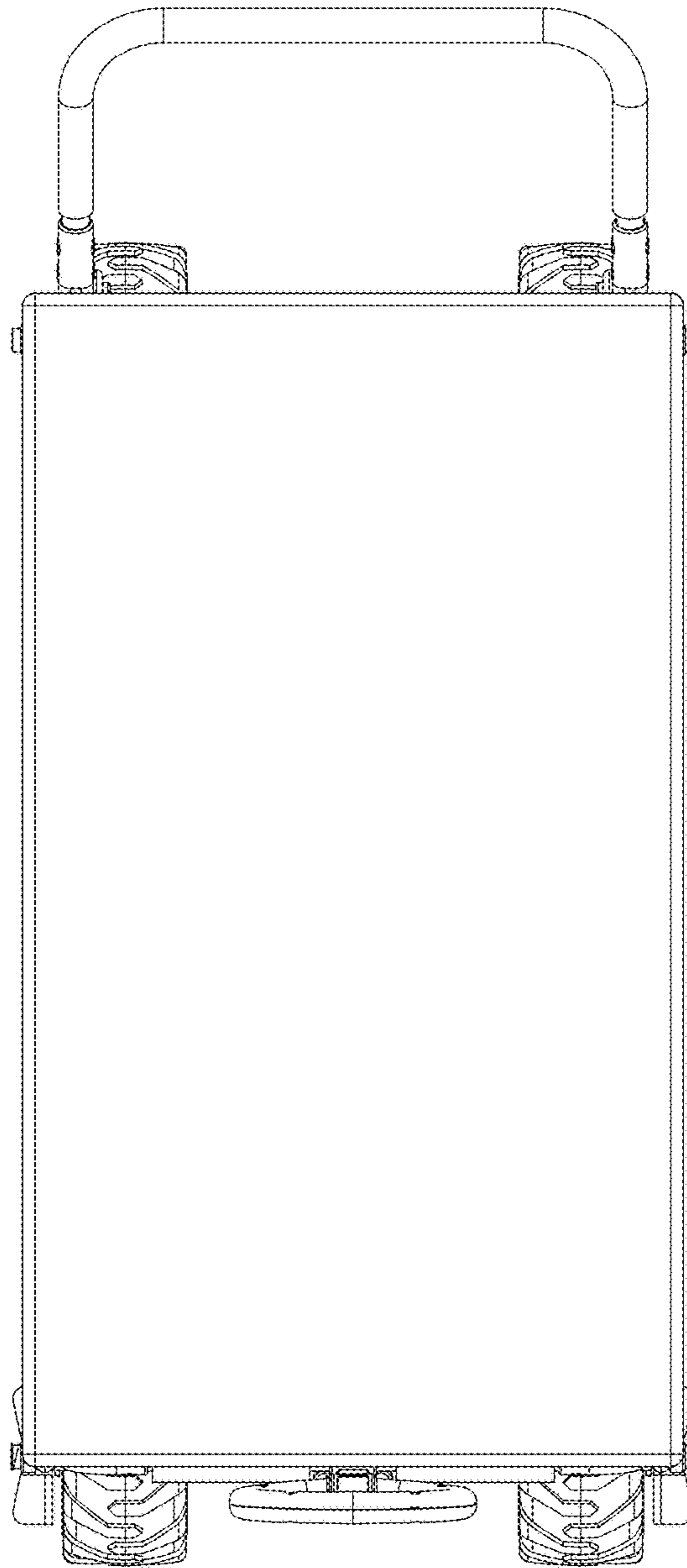


FIG. 4

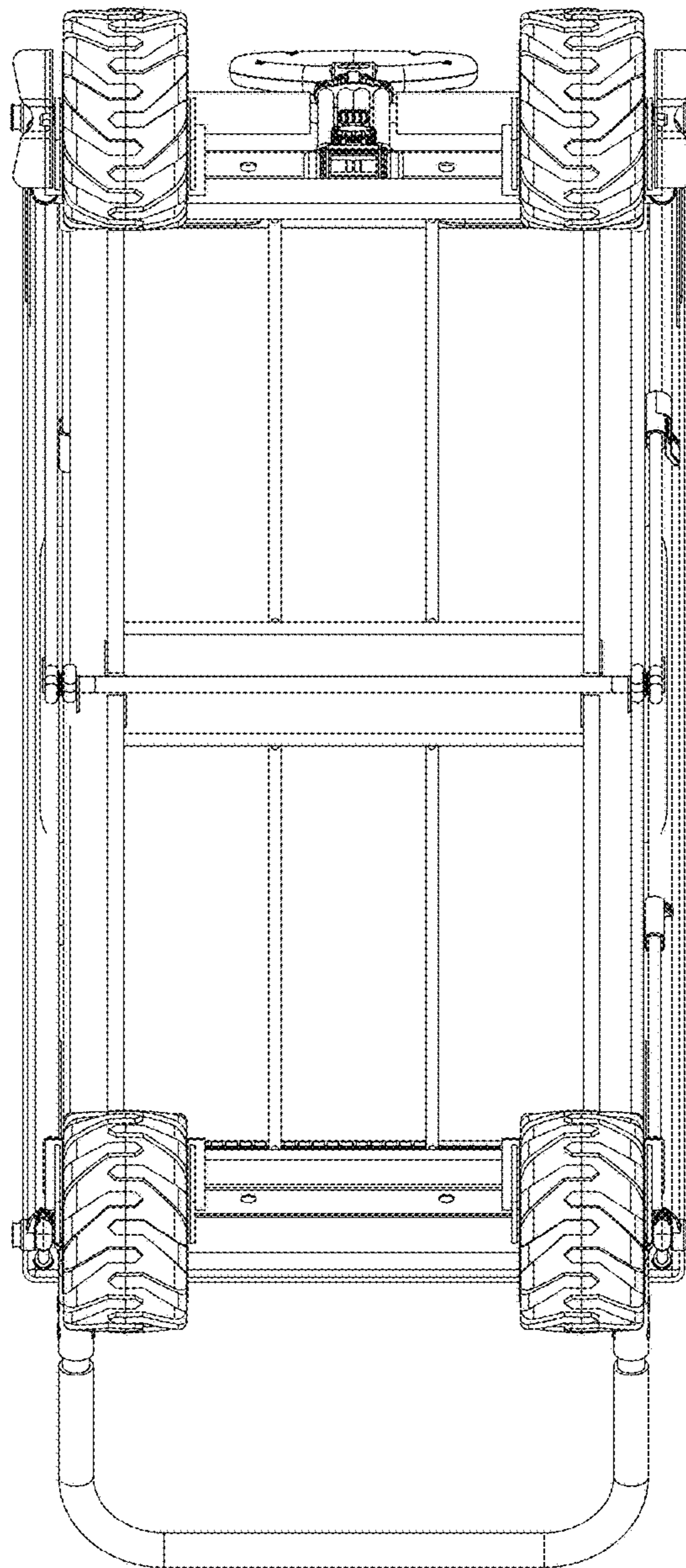


FIG. 5

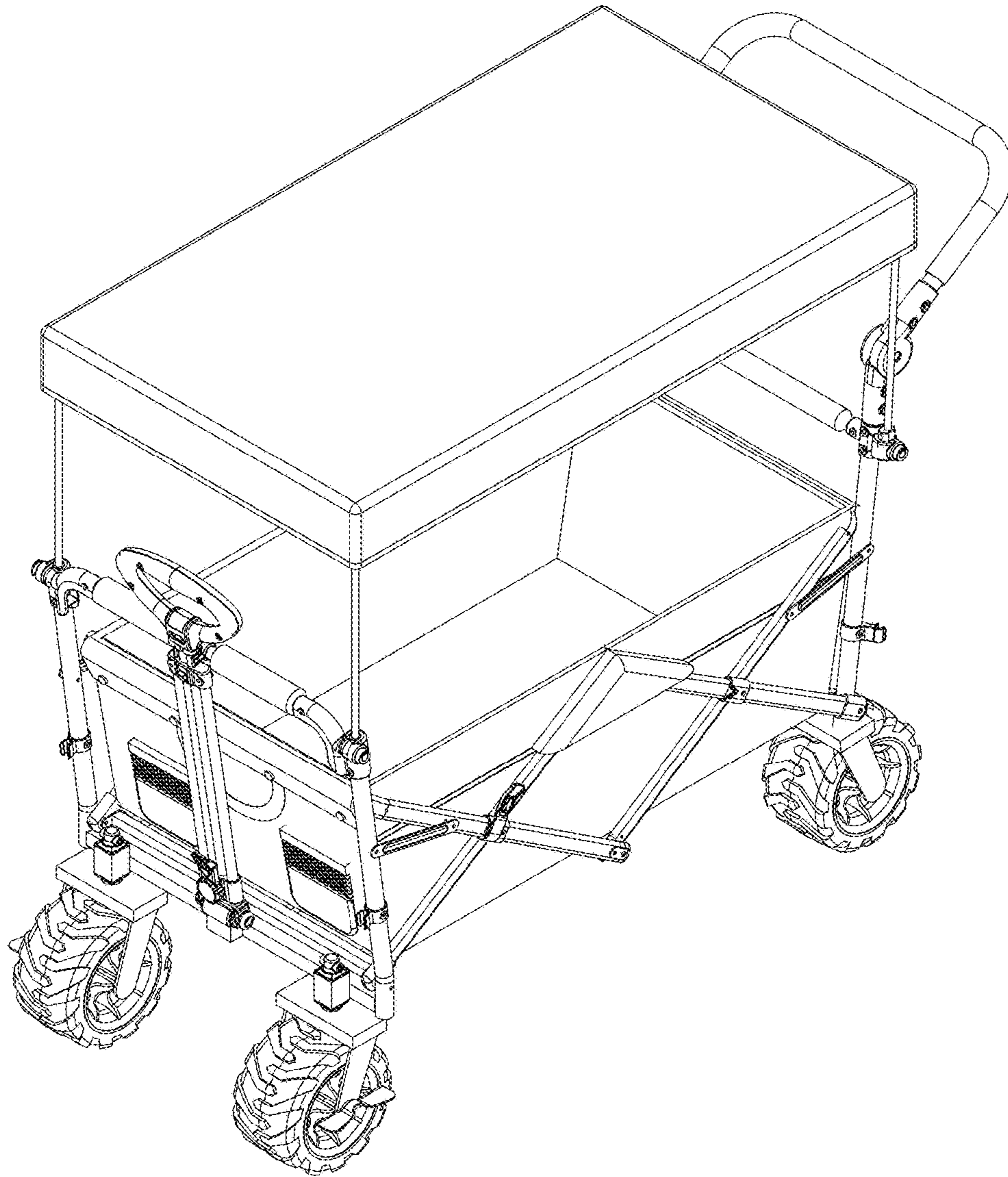


FIG. 6

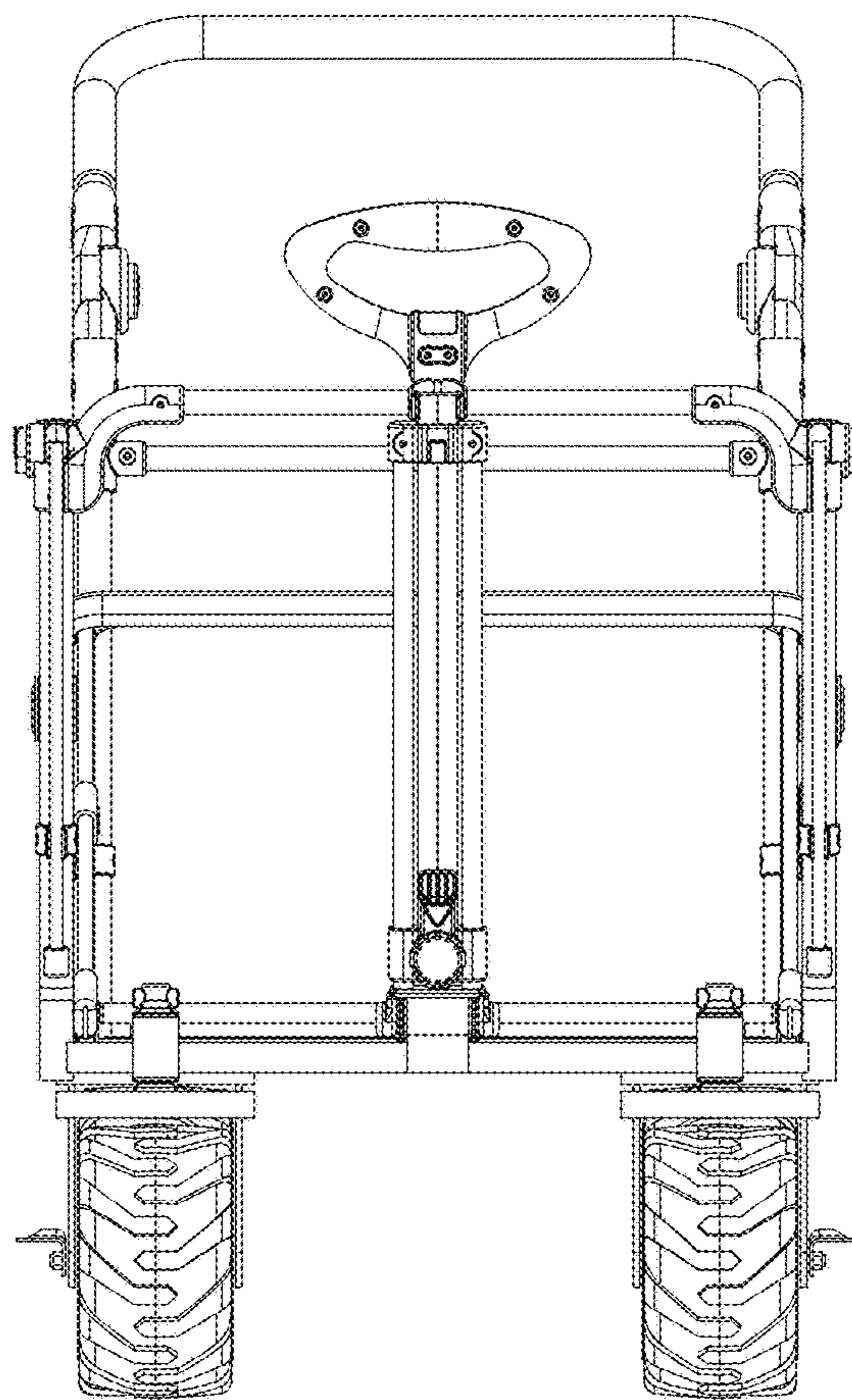


FIG. 7

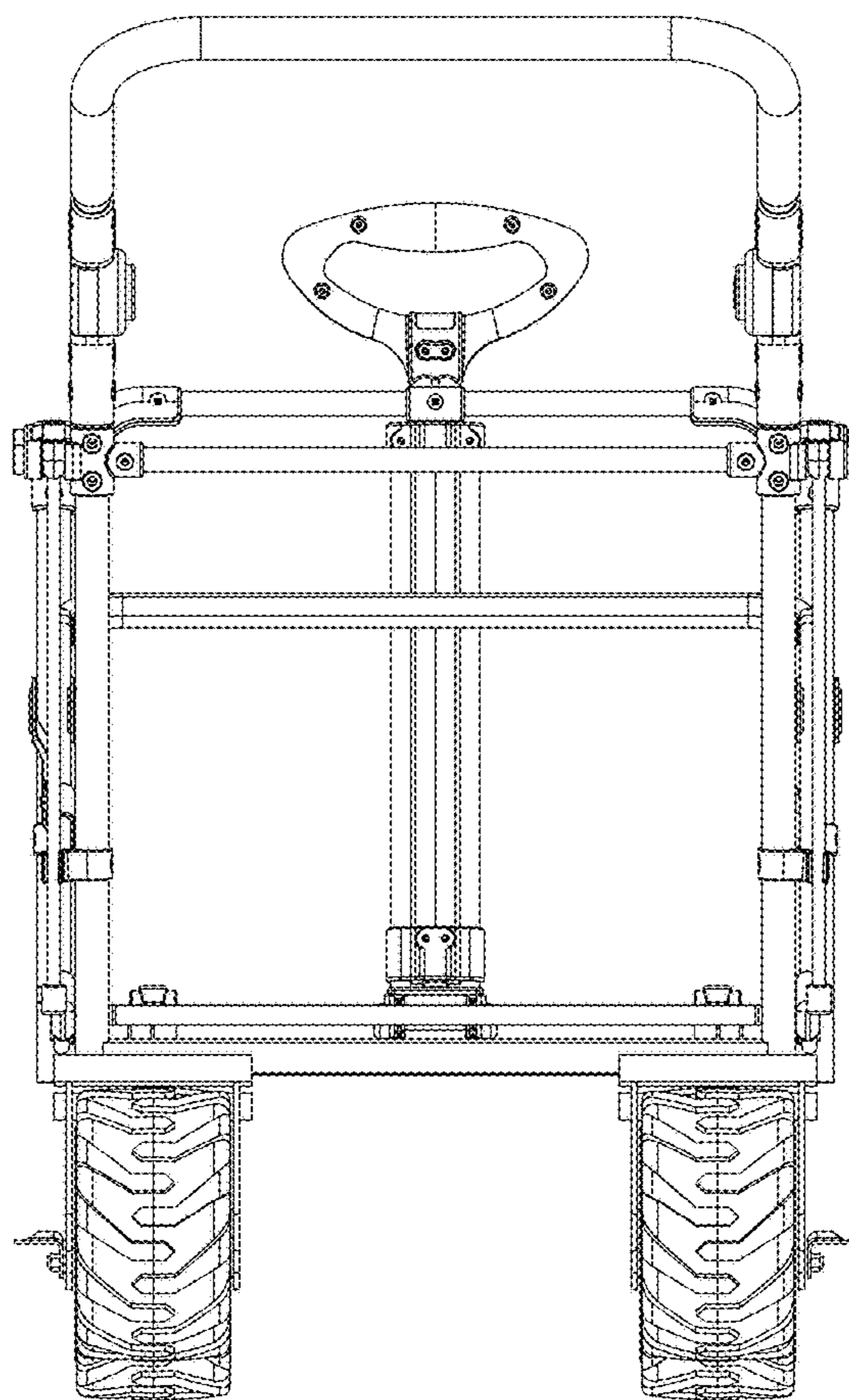


FIG. 8

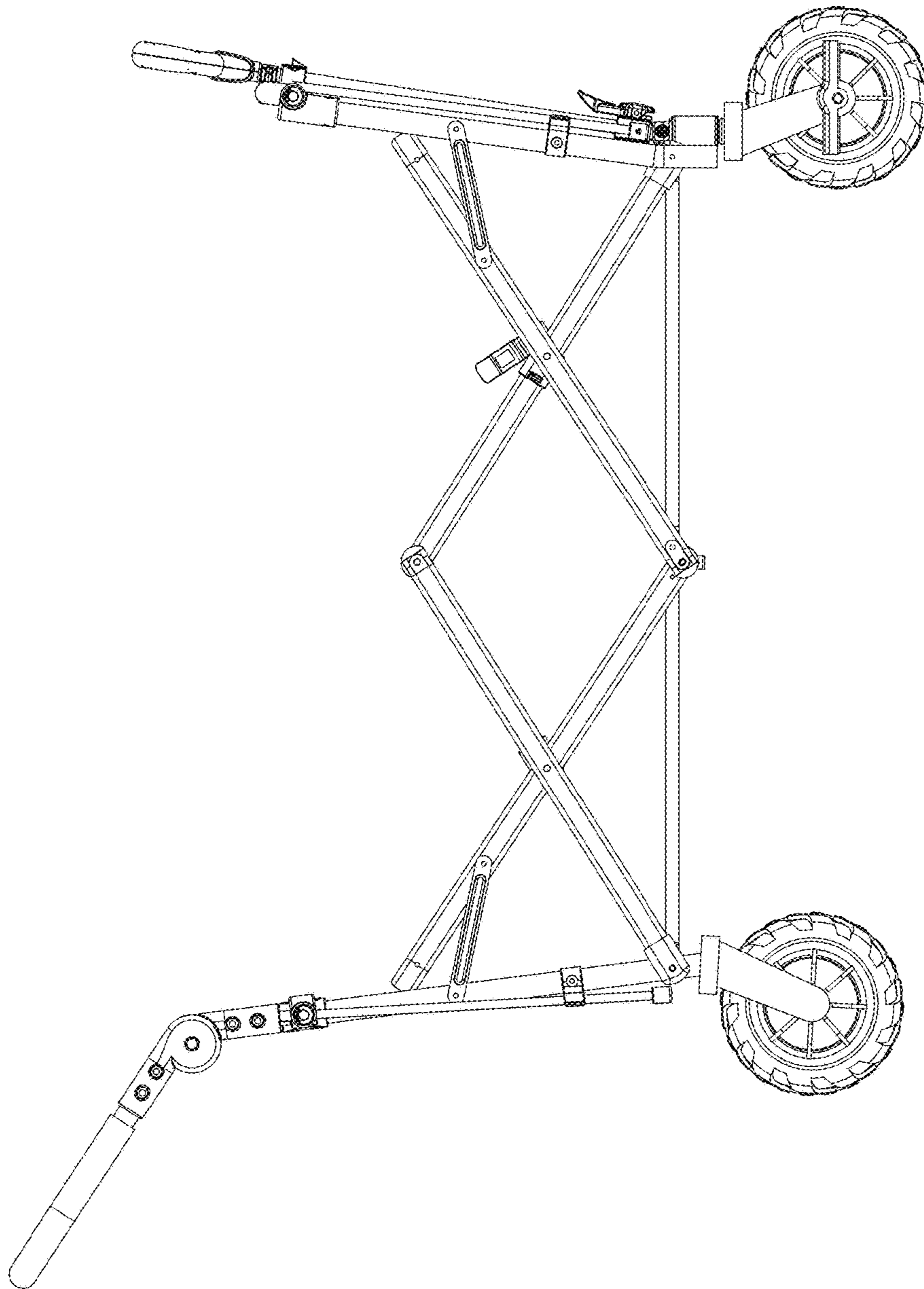


FIG. 9

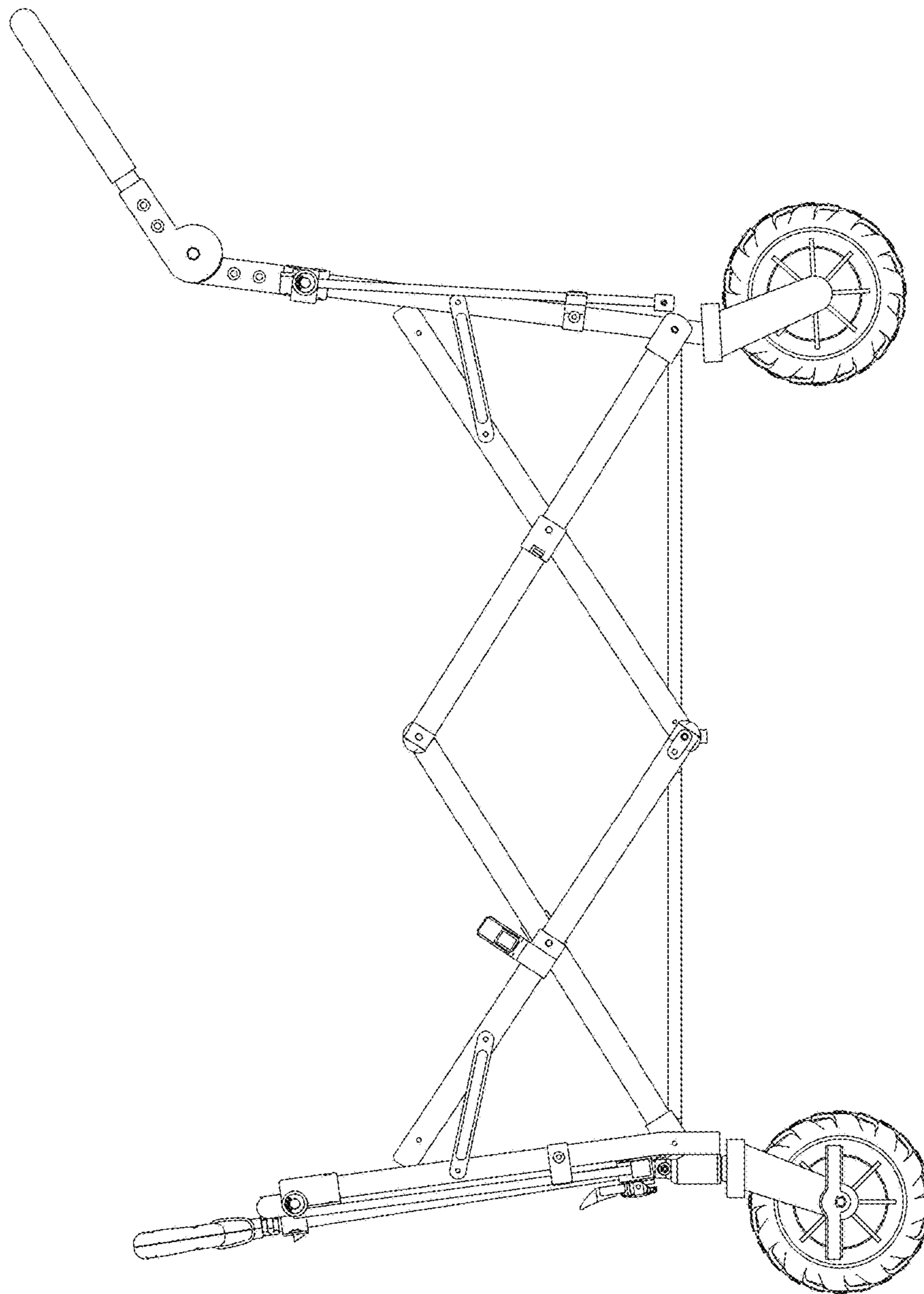


FIG. 10

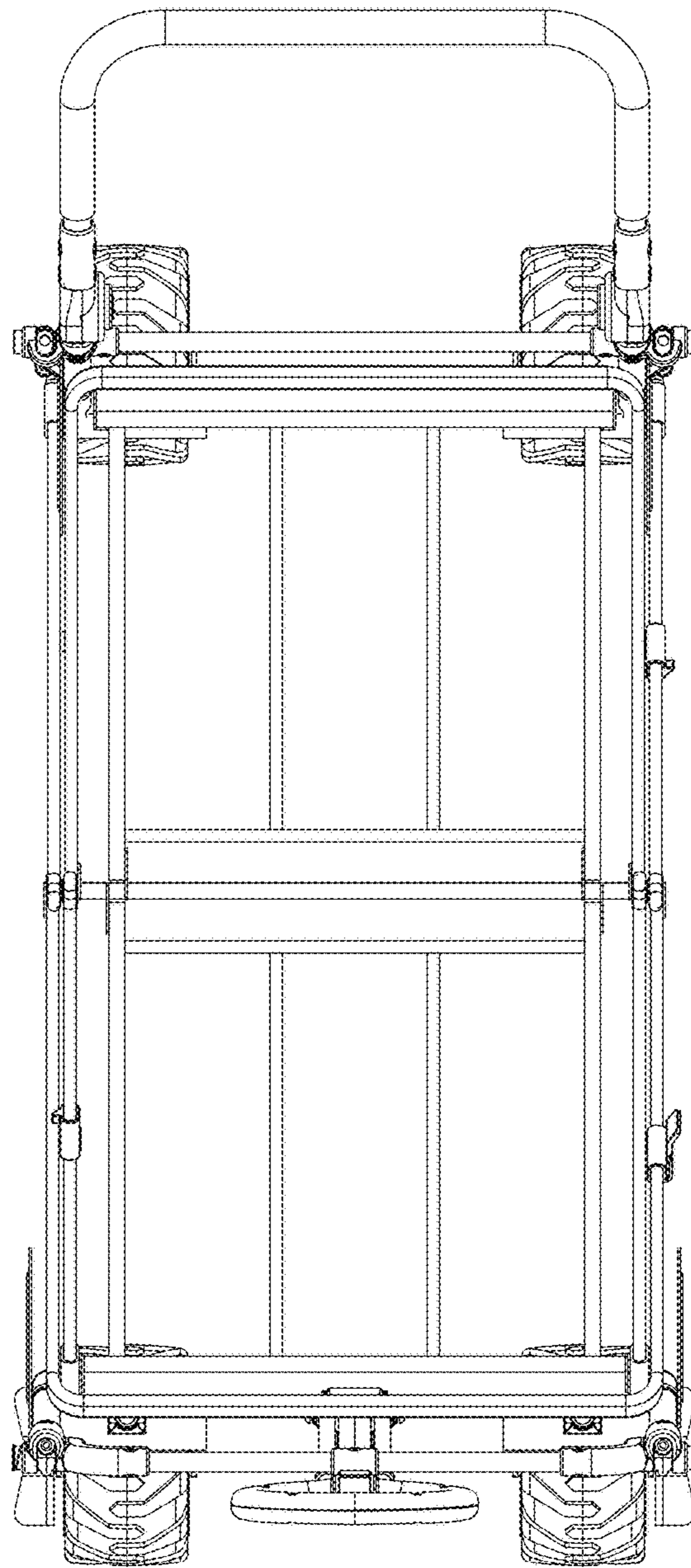


FIG. 11

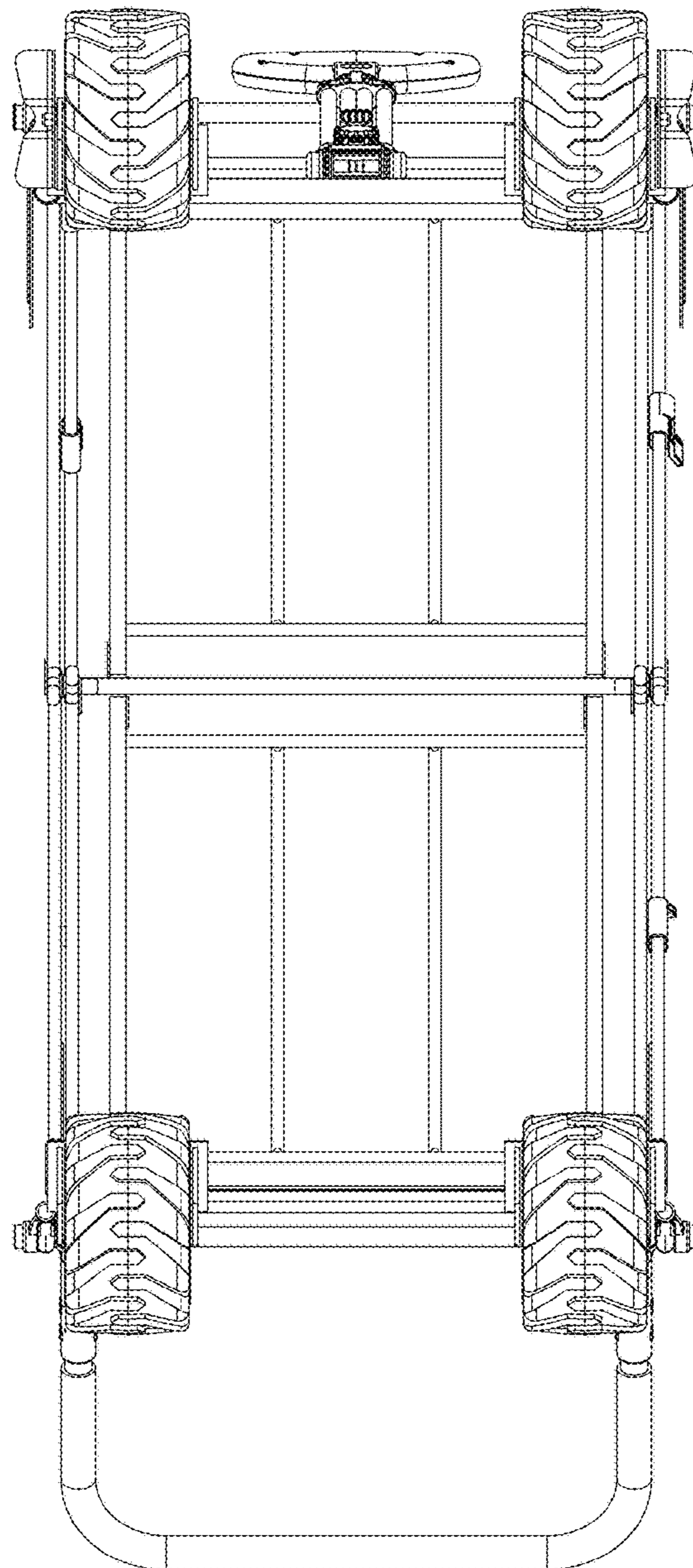


FIG. 12

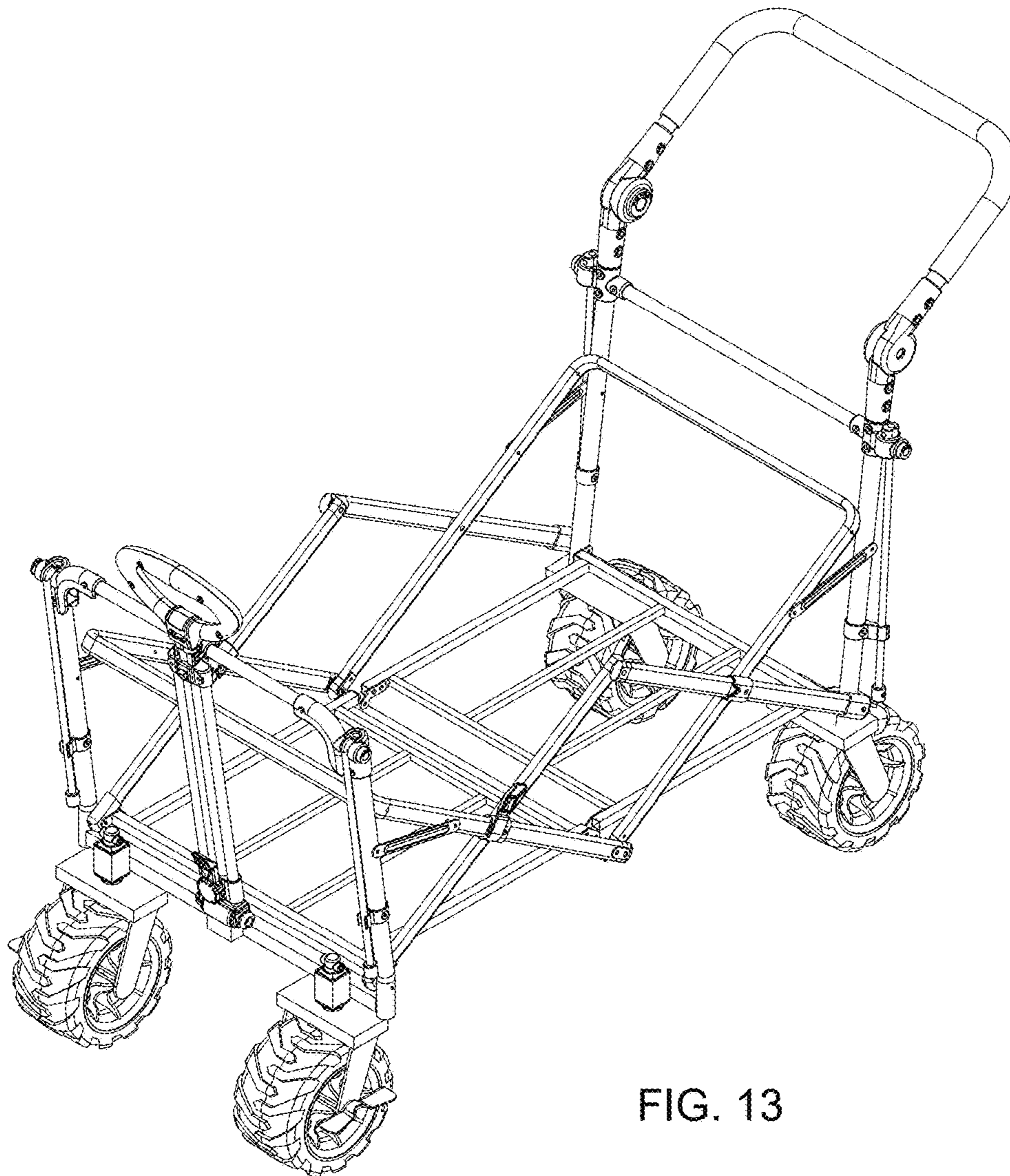


FIG. 13