



US00D861277S

(12) **United States Design Patent** (10) **Patent No.:** **US D861,277 S**
Chen (45) **Date of Patent:** **** Sep. 24, 2019**

(54) **TRASH CAN**
(71) Applicant: **EKO DEVELOPMENT LTD.,**
Guangzhou (CN)
(72) Inventor: **Yizhi Chen,** Guangzhou (CN)
(73) Assignee: **Eko Development Ltd,** Guangzhou
(CN)

D437,384 S * 2/2001 Fletcher D23/207
6,345,725 B1 2/2002 Lin
D472,357 S 3/2003 Stewart
D482,169 S 11/2003 Lin
D488,903 S * 4/2004 Yang D34/9
D527,155 S 8/2006 Fankhauser
D535,800 S * 1/2007 Yang D34/9
D537,223 S * 2/2007 Lin D34/7
D537,599 S * 2/2007 Lin D34/7
(Continued)

(**) Term: **15 Years**

OTHER PUBLICATIONS

(21) Appl. No.: **29/635,954**

Belson Outdoors “Durable Two-Piece Fiberglass Trash Receptacle”,
<http://www.belson.com/Open-Top-Lift-Off-20-Gallon-Round-Fiberglass-Trash-Can>. Jun. 6, 2017. shown in p. 1, Model FG1829 TPL.

(22) Filed: **Feb. 5, 2018**

(Continued)

(30) **Foreign Application Priority Data**

Dec. 8, 2017 (CN) 2017 3 0621090

(51) **LOC (12) Cl.** **09-09**

(52) **U.S. Cl.**
USPC **D34/9**

(58) **Field of Classification Search**
USPC D23/202, 203, 207; D34/1, 2, 3, 4, 5, 6,
D34/7, 8, 9, 10, 11, 39; 220/252, 62.13,
220/484, 569, 4.04, 703, 737, 748, 908,
220/908.1, 908.2, 909, 495.08, 211, 262,
220/263, 212; D9/737, 738, 770, 772,
D9/777, 778

CPC .. B65F 1/004; B65F 1/1473; B65F 2240/138;
B62B 2202/20

See application file for complete search history.

Primary Examiner — Cynthia Ramirez

Assistant Examiner — Michael A Maharajh

(74) *Attorney, Agent, or Firm* — William Dippert;
Laurence Greenberg; Werner Stemer

(56) **References Cited**

U.S. PATENT DOCUMENTS

D215,617 S * 10/1969 Hack D34/7
D246,090 S 10/1977 Gault
D250,744 S * 1/1979 Morin D34/5
D335,562 S 5/1993 Evans
5,242,074 A 9/1993 Conaway et al.
D343,709 S 1/1994 Doty et al.
5,531,348 A * 7/1996 Baker B65F 1/163
220/263

(57) **CLAIM**

The ornamental design for a trash can, as shown and described.

DESCRIPTION

FIG. 1 is a perspective view of a trash can, showing my new design.

FIG. 2 is a top plan view thereof.

FIG. 3 is a rear elevation view thereof.

FIG. 4 is a left-side elevation view thereof.

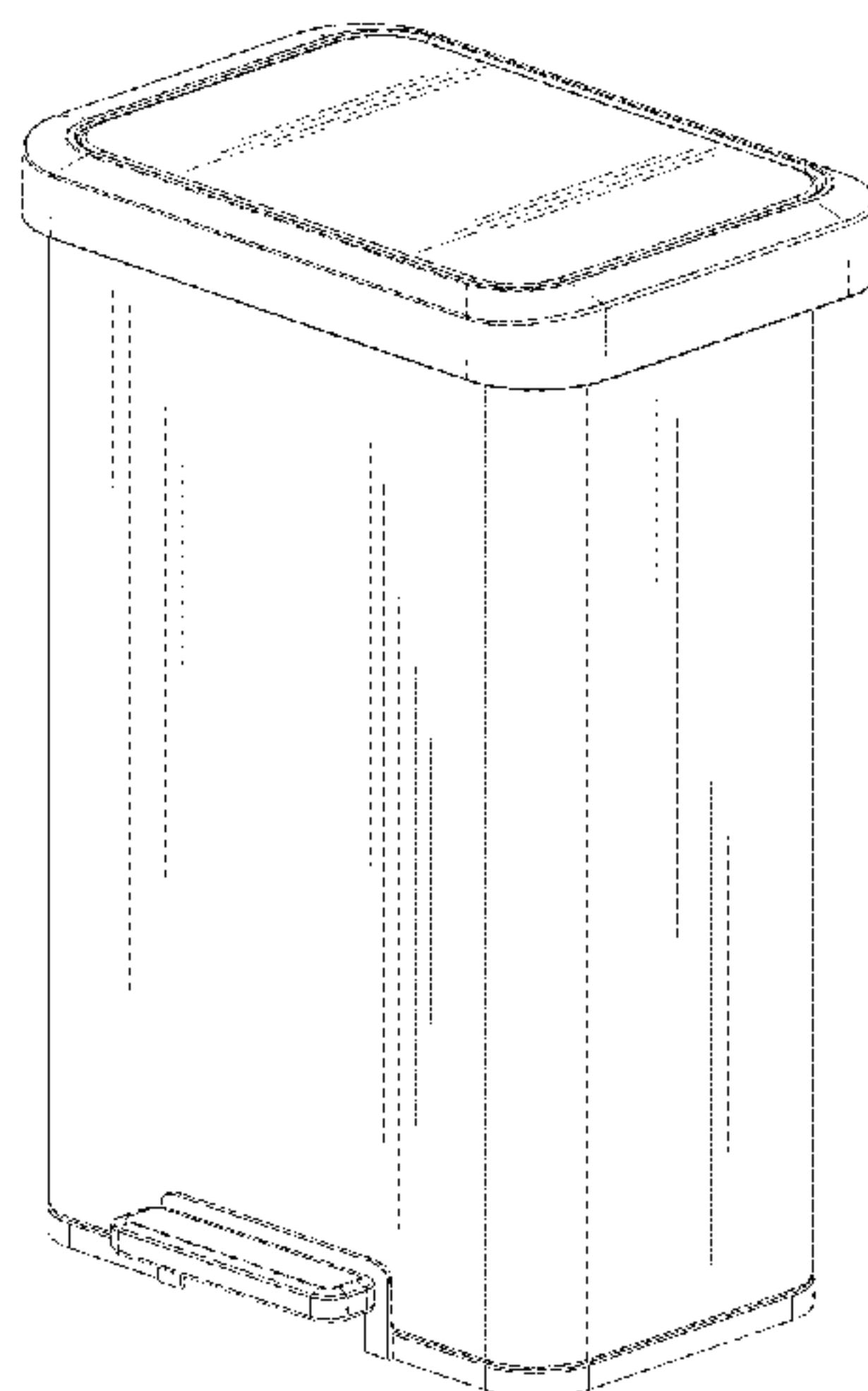
FIG. 5 is a front elevation view thereof.

FIG. 6 is a bottom plan view thereof; and,

FIG. 7 is a right-side elevation view thereof.

The broken lines in the drawings represent portions of the trash can that are for illustrative purposes only and do not form a part of the claimed design.

1 Claim, 7 Drawing Sheets



(56)

References Cited

U.S. PATENT DOCUMENTS

D543,673 S * 5/2007 Yang D34/9
 D552,321 S 10/2007 Yang et al.
 D571,520 S 6/2008 Lin
 D580,120 S * 11/2008 Lin D34/7
 D580,613 S * 11/2008 Yang D34/7
 D593,271 S * 5/2009 Yang D34/9
 D627,533 S 11/2010 Yang et al.
 D631,221 S * 1/2011 Yang D34/9
 D644,390 S 8/2011 Smeets et al.
 D644,806 S 9/2011 Yang et al.
 D655,061 S * 2/2012 Scaturro D34/7
 D657,108 S * 4/2012 Yang D34/7
 D657,109 S 4/2012 Liao
 D675,802 S 2/2013 Yang et al.
 D675,803 S * 2/2013 Yang D34/7
 8,820,566 B2 9/2014 Ude
 D719,313 S 12/2014 Kao
 D720,513 S 12/2014 Yang et al.
 D725,861 S 3/2015 Yang et al.
 D730,008 S 5/2015 Yang et al.
 D739,109 S * 9/2015 Becham D34/1
 D743,138 S * 11/2015 Sun Ting Kung D34/9
 D754,413 S 4/2016 Wall
 D759,934 S * 6/2016 Yang D34/11

D762,037 S * 7/2016 Chen D34/7
 D765,937 S * 9/2016 Chen D34/7
 D771,344 S 11/2016 Yang et al.
 D773,145 S 11/2016 Yang et al.
 D773,769 S * 12/2016 Chen D34/9
 D790,145 S * 6/2017 Chen D34/7
 D793,642 S * 8/2017 Yang D34/7
 D796,766 S * 9/2017 Chen D34/7
 D796,767 S * 9/2017 Chen D34/9
 D798,016 S 9/2017 Yang et al.
 D809,729 S * 2/2018 Chen D34/7
 D827,968 S * 9/2018 Chen D34/9
 D829,400 S * 9/2018 Yang D34/7
 D835,374 S * 12/2018 Yang D34/7
 D836,278 S * 12/2018 Berberet B08B 7/0092
 D837,473 S * 1/2019 Magnuson D34/9

OTHER PUBLICATIONS

Amazon "Simplehuman Bullet Open Trash Can", https://www.amazon.com/simplehuman-Bullet-Trash-Commercial-Stainless/dp/B000BHUHP0/ref=cm_cr_ar_p_d_product_top?ie=UTG8. Apr. 17, 2008. shown in p. 1, Model No. CW1407.

* cited by examiner

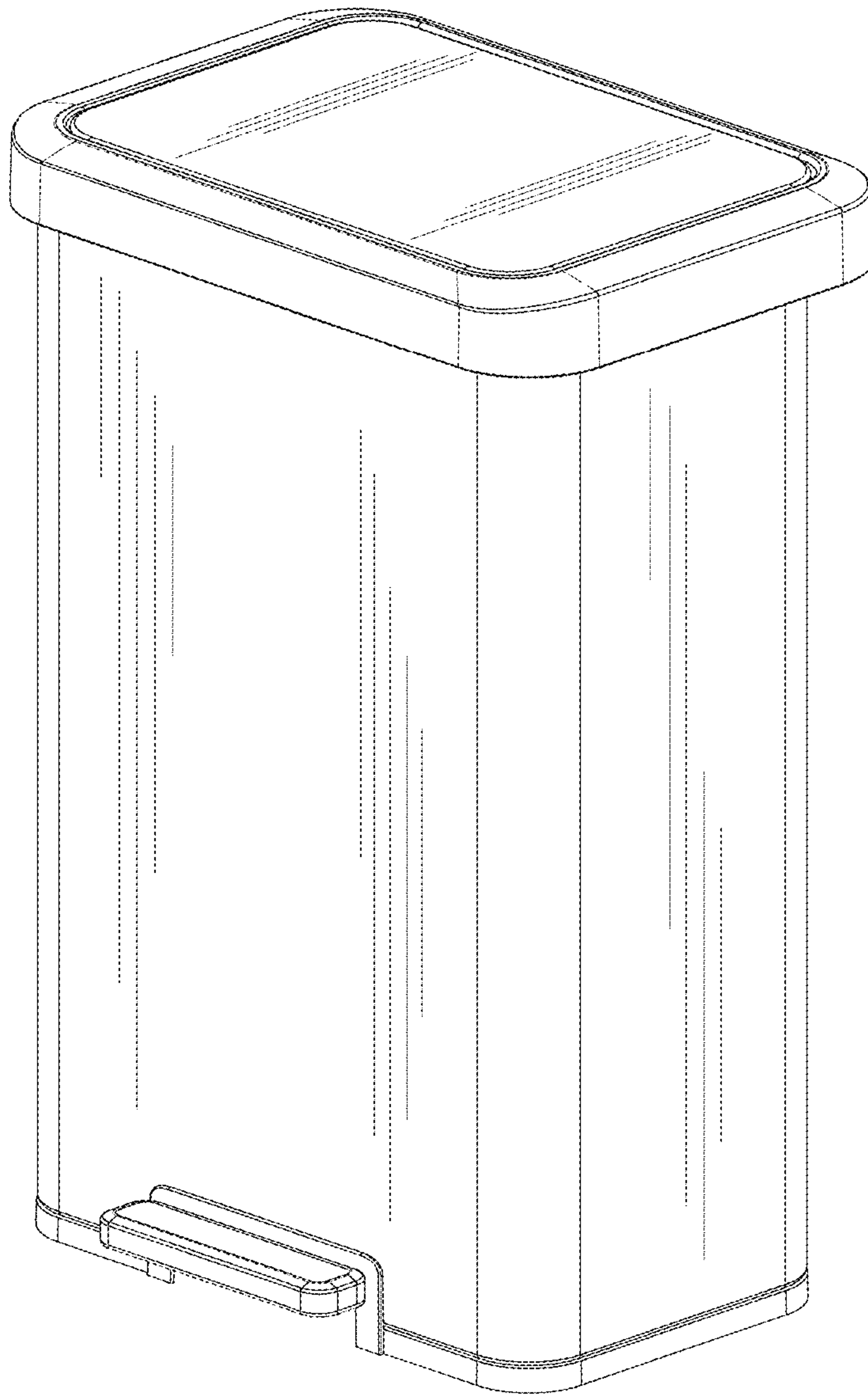


FIG. 1

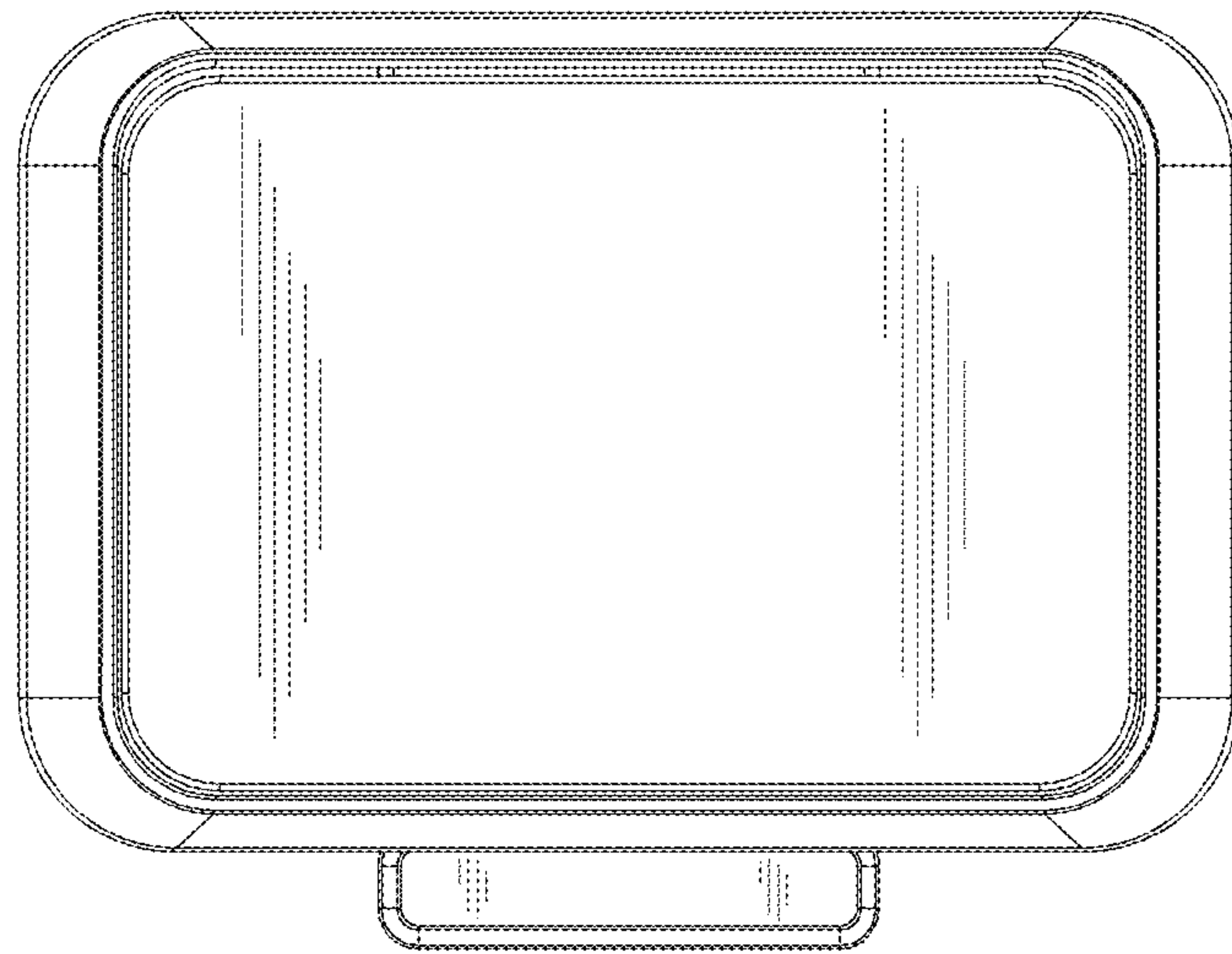


FIG. 2

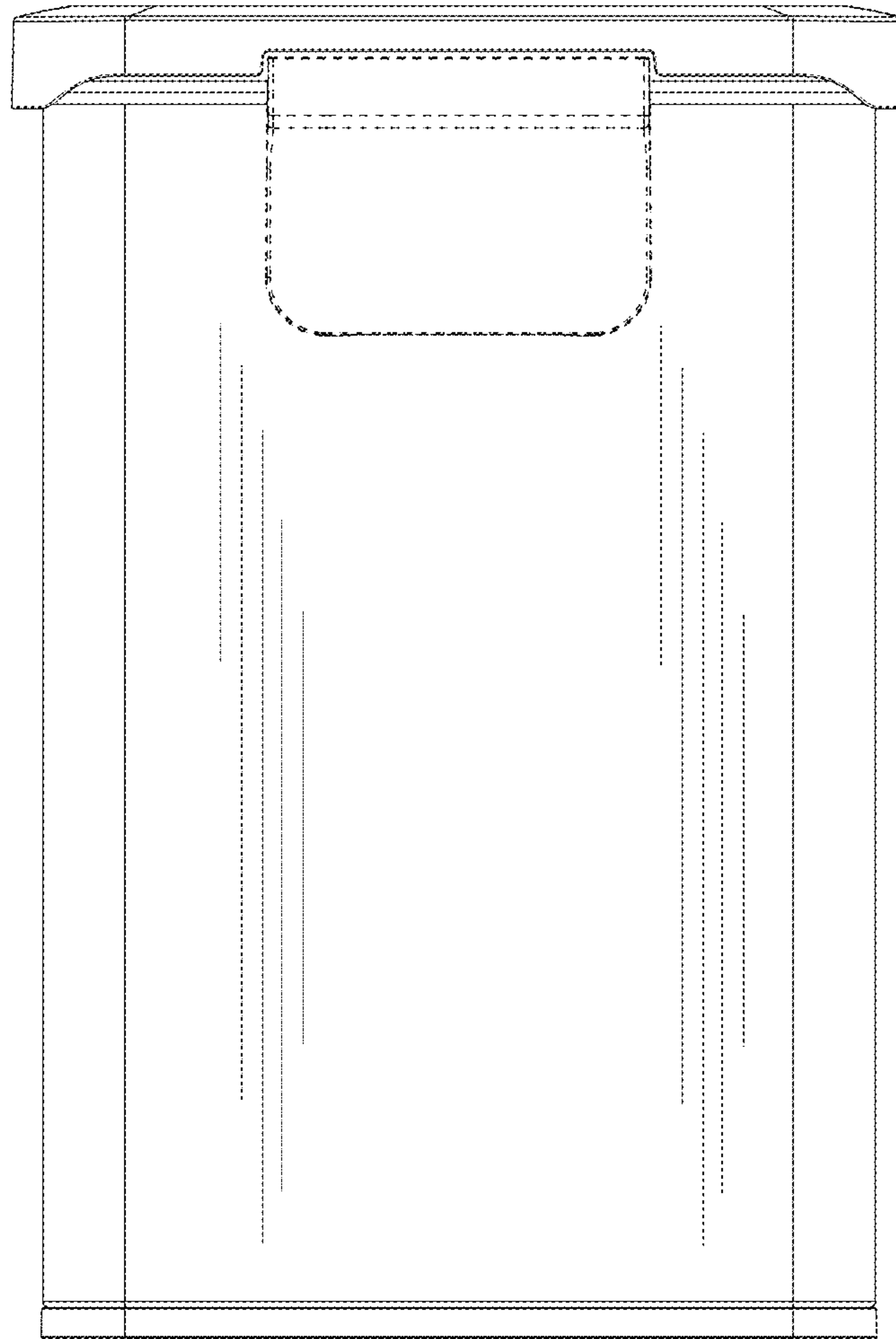


FIG. 3

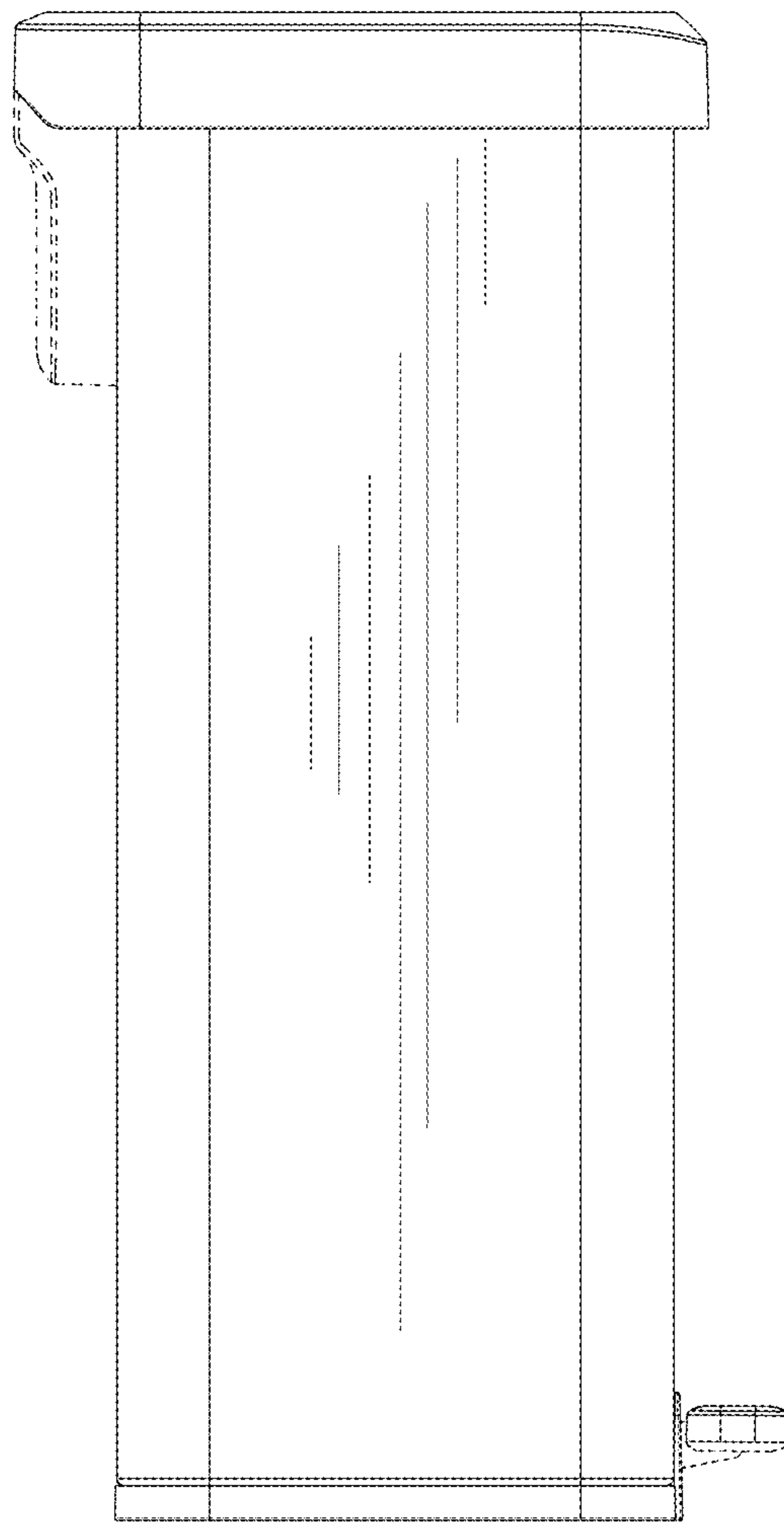


FIG. 4

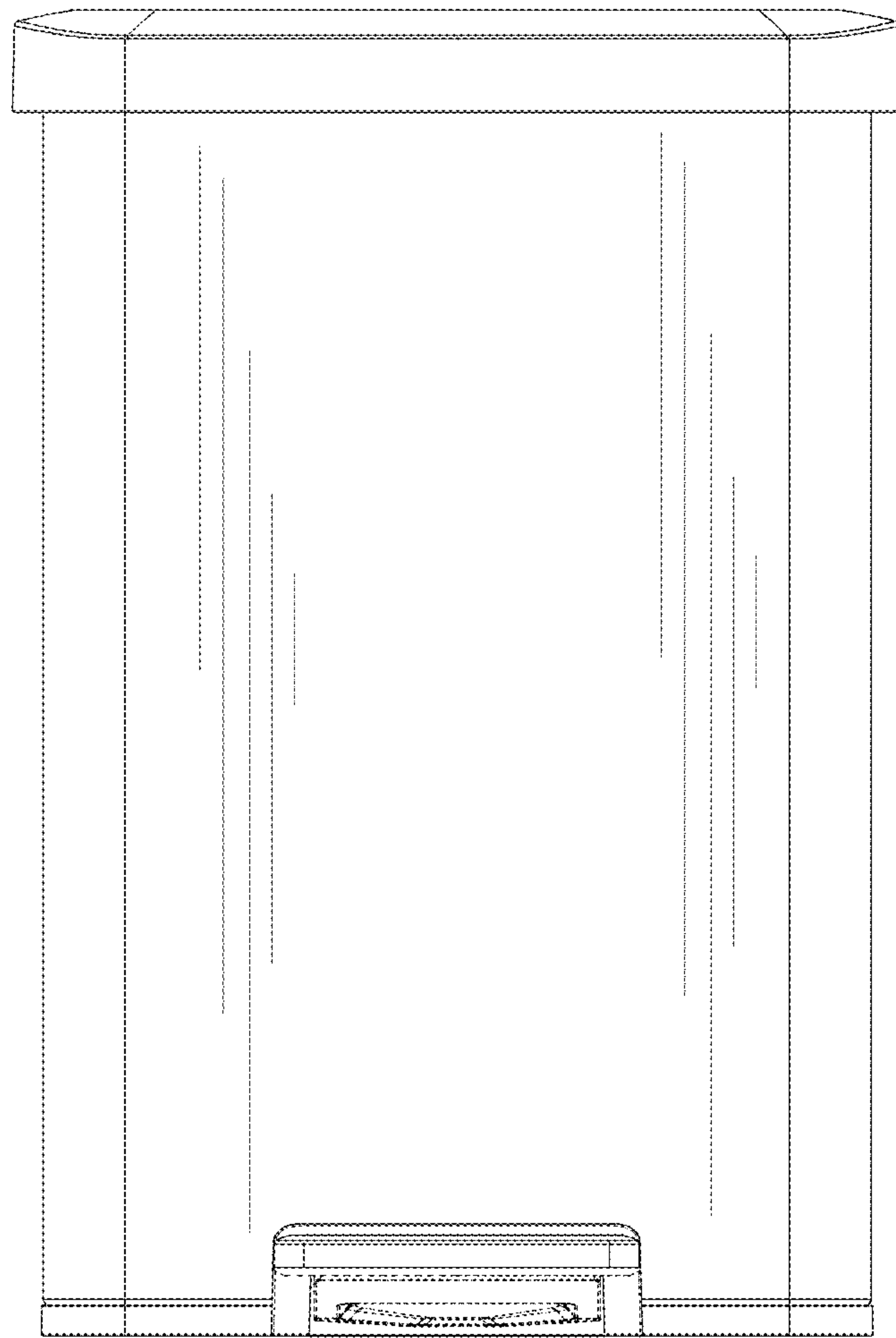


FIG. 5

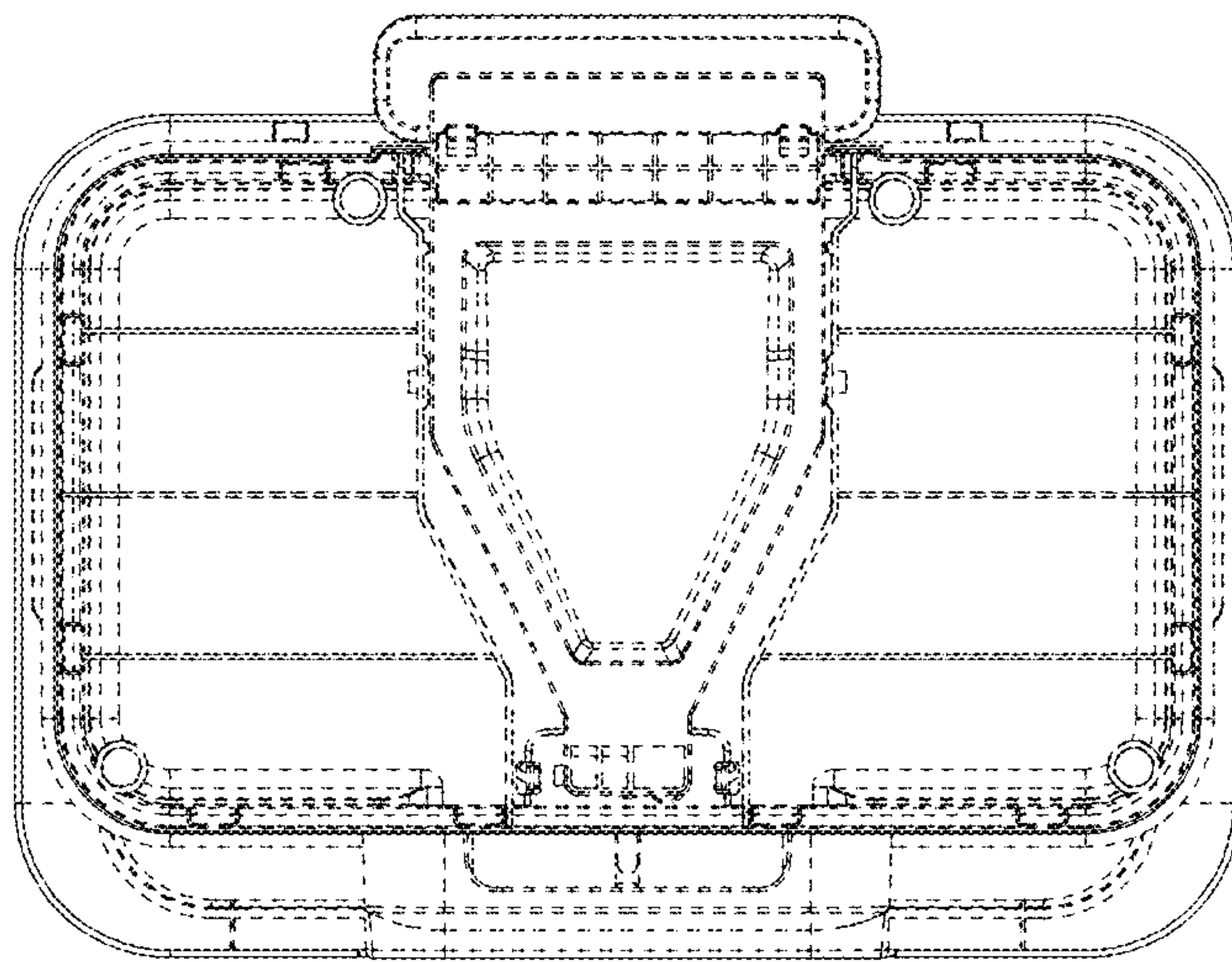


FIG. 6

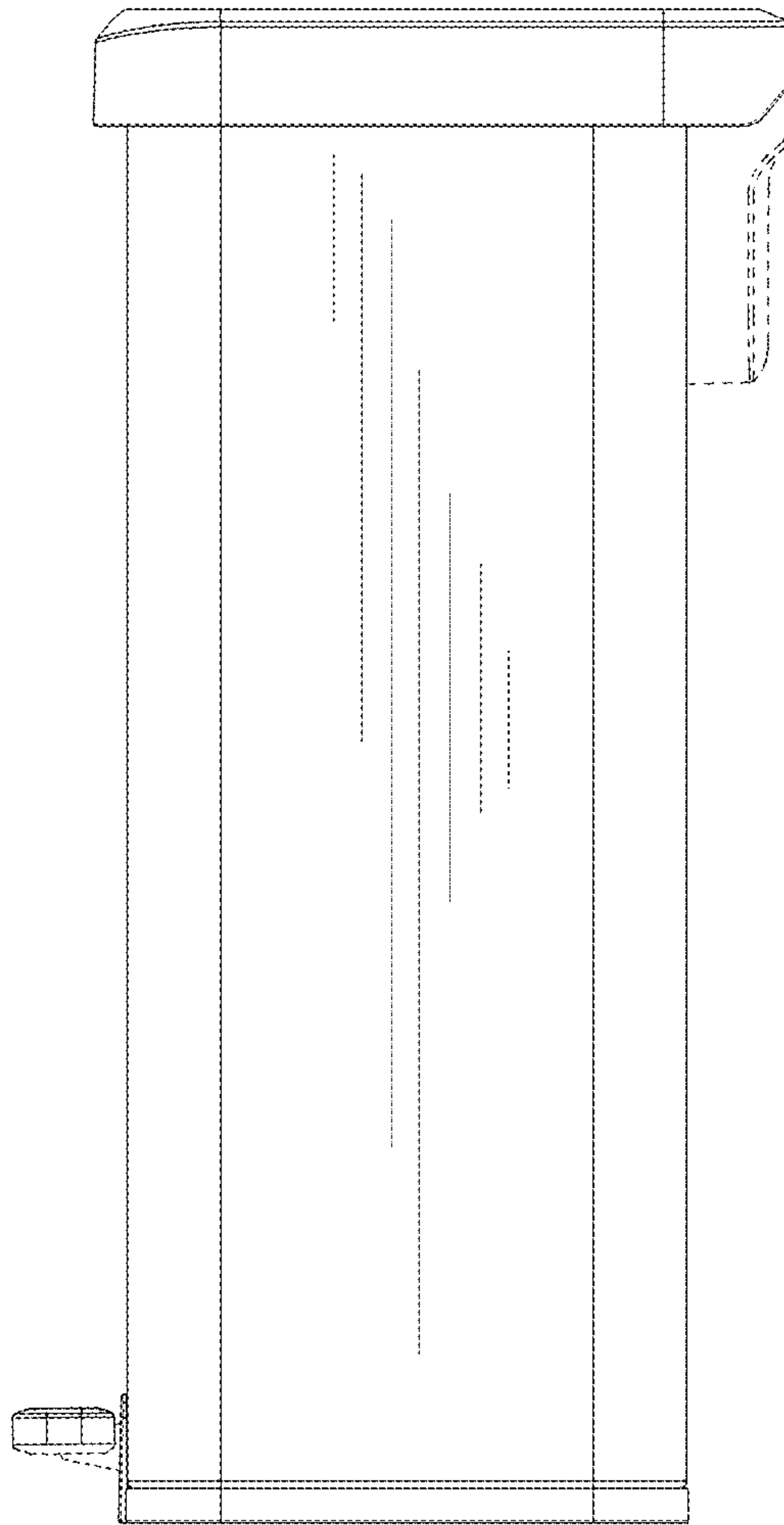


FIG. 7