



US00D861276S

(12) **United States Design Patent**
McDonald

(10) **Patent No.:** **US D861,276 S**

(45) **Date of Patent:** **** Sep. 24, 2019**

- (54) **FOLDABLE BAG FILLER**
- (71) Applicant: **Tommy David McDonald**, Oceanside, CA (US)
- (72) Inventor: **Tommy David McDonald**, Oceanside, CA (US)
- (**) Term: **15 Years**
- (21) Appl. No.: **29/618,175**
- (22) Filed: **Sep. 19, 2017**
- (51) **LOC (12) Cl.** **09-09**
- (52) **U.S. Cl.**
USPC **D34/6**
- (58) **Field of Classification Search**
USPC D34/1, 5, 6; D6/566, 552; 248/95, 99, 248/97, 100, 175, 176.1, 126, 133, 107; 211/85.15, 12, 181.1, 193, 41.11, 85.3, 211/206, 204, 175
CPC . B65B 67/1255; B65B 67/12; B65B 67/1233; B65B 69/0083; A47F 13/085; A47F 9/042; A47F 5/01
See application file for complete search history.

- 7,345,587 B2 * 3/2008 Bremer G06K 7/10316 211/206
- D599,601 S * 9/2009 Mallen D32/58
- 8,936,166 B2 * 1/2015 Hornsby A47G 25/0685 211/204
- D827,965 S * 9/2018 Barre D32/58

* cited by examiner

Primary Examiner — Cynthia Ramirez
Assistant Examiner — Gino Colan
(74) *Attorney, Agent, or Firm* — Costal Patent Law Group, P.C.

(57) **CLAIM**

The ornamental design for a foldable bag filler, as shown and described.

DESCRIPTION

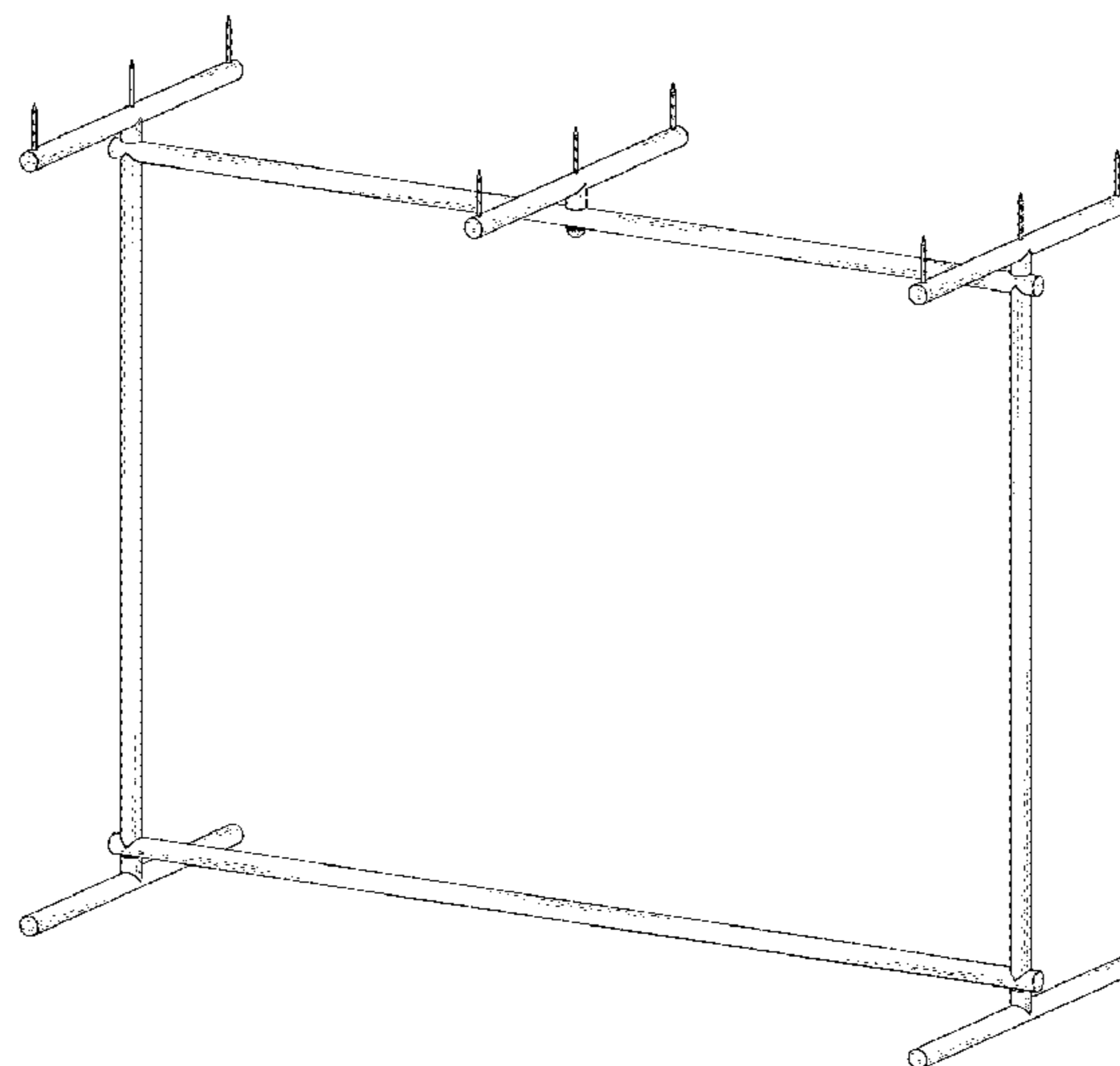
FIG. 1 is a perspective view of a foldable bag filler showing my new design, in an expanded configuration; FIG. 2 is a front elevational view thereof, a rear elevational view being a mirror image thereof; FIG. 3 is a right side elevational view thereof, a left side elevational view being a mirror image thereof; FIG. 4 is a top plan view thereof; FIG. 5 is a bottom plan view thereof; FIG. 6 is a perspective view of the foldable bag filler, in a collapsed configuration; FIG. 7 is a front perspective view thereof, a rear elevational view being a mirror image thereof; FIG. 8 is a right side elevational view thereof, a left side elevational view being a mirror image thereof; FIG. 9 is a top plan view thereof; and, FIG. 10 is a bottom plan view thereof.

1 Claim, 10 Drawing Sheets

(56) **References Cited**

U.S. PATENT DOCUMENTS

- 3,831,768 A * 8/1974 Keller A47F 7/24 108/12
- 4,588,154 A * 5/1986 Basore B65B 67/1244 211/206
- 6,557,567 B2 * 5/2003 Mood A47L 15/505 211/12
- 6,626,307 B1 * 9/2003 Lin A47G 25/0664 211/206
- 6,745,909 B1 * 6/2004 Lai A47G 25/0664 211/204
- 6,959,824 B1 * 11/2005 Alperson A47F 5/137 211/193



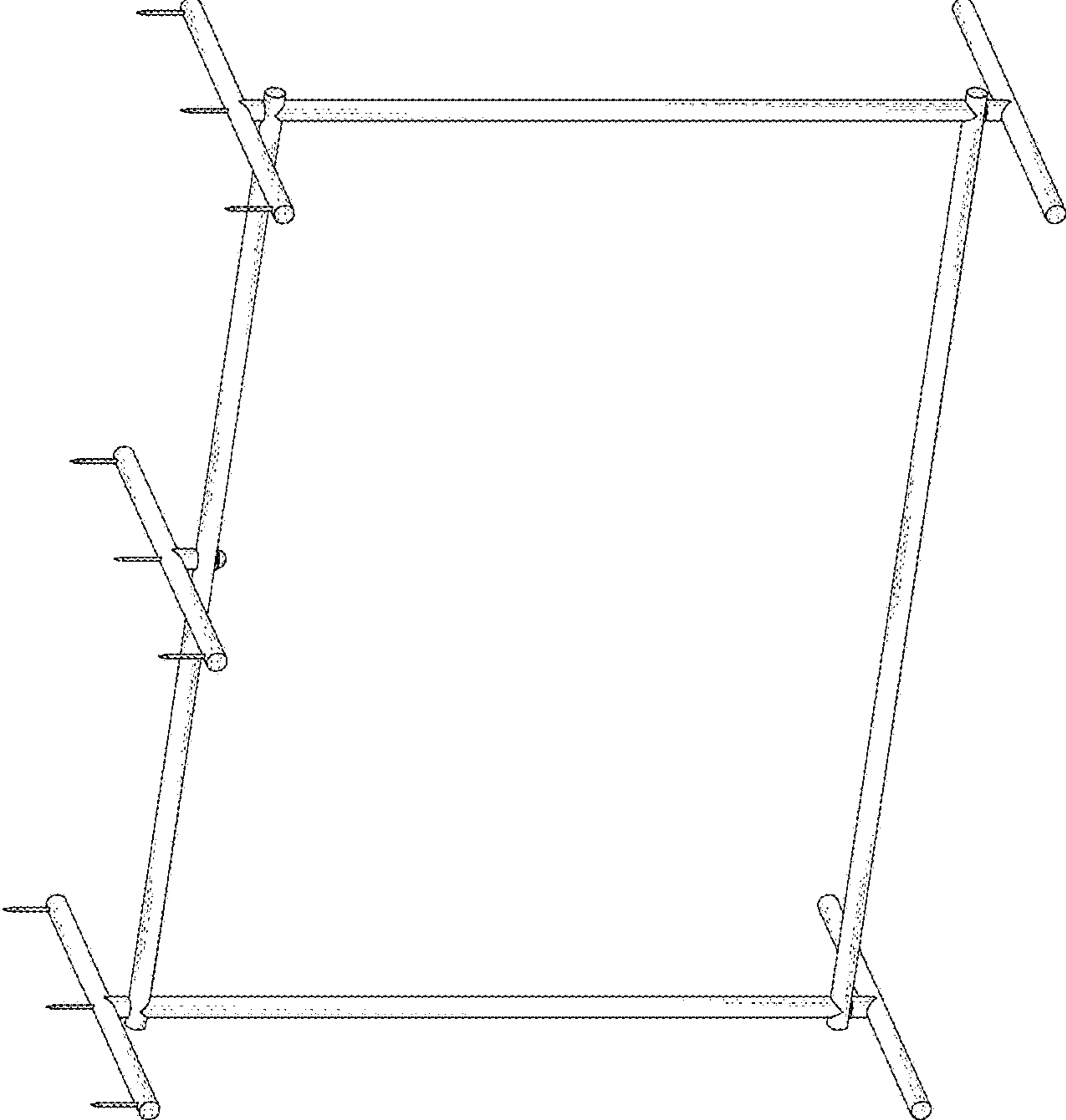


FIG. 1

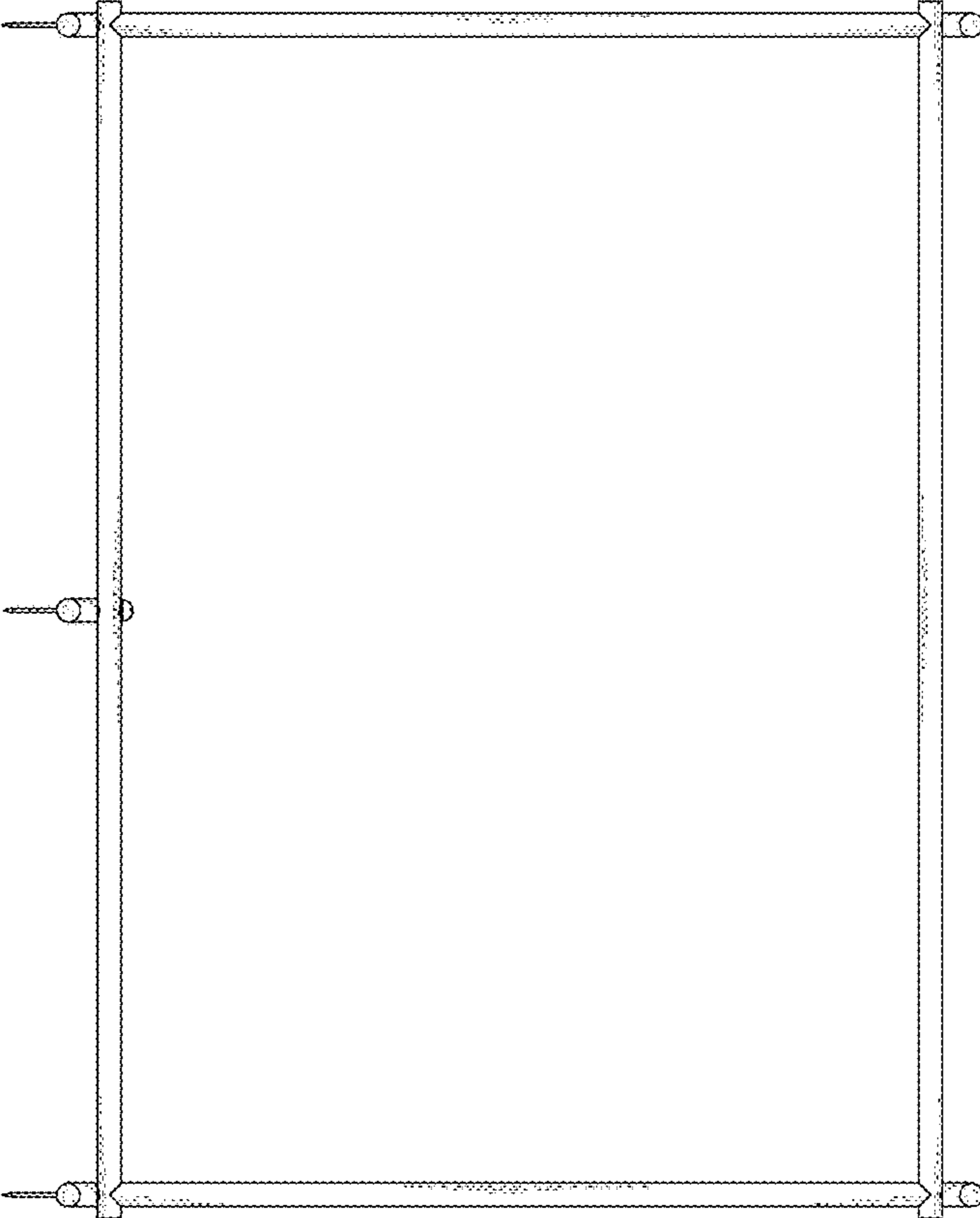


FIG. 2

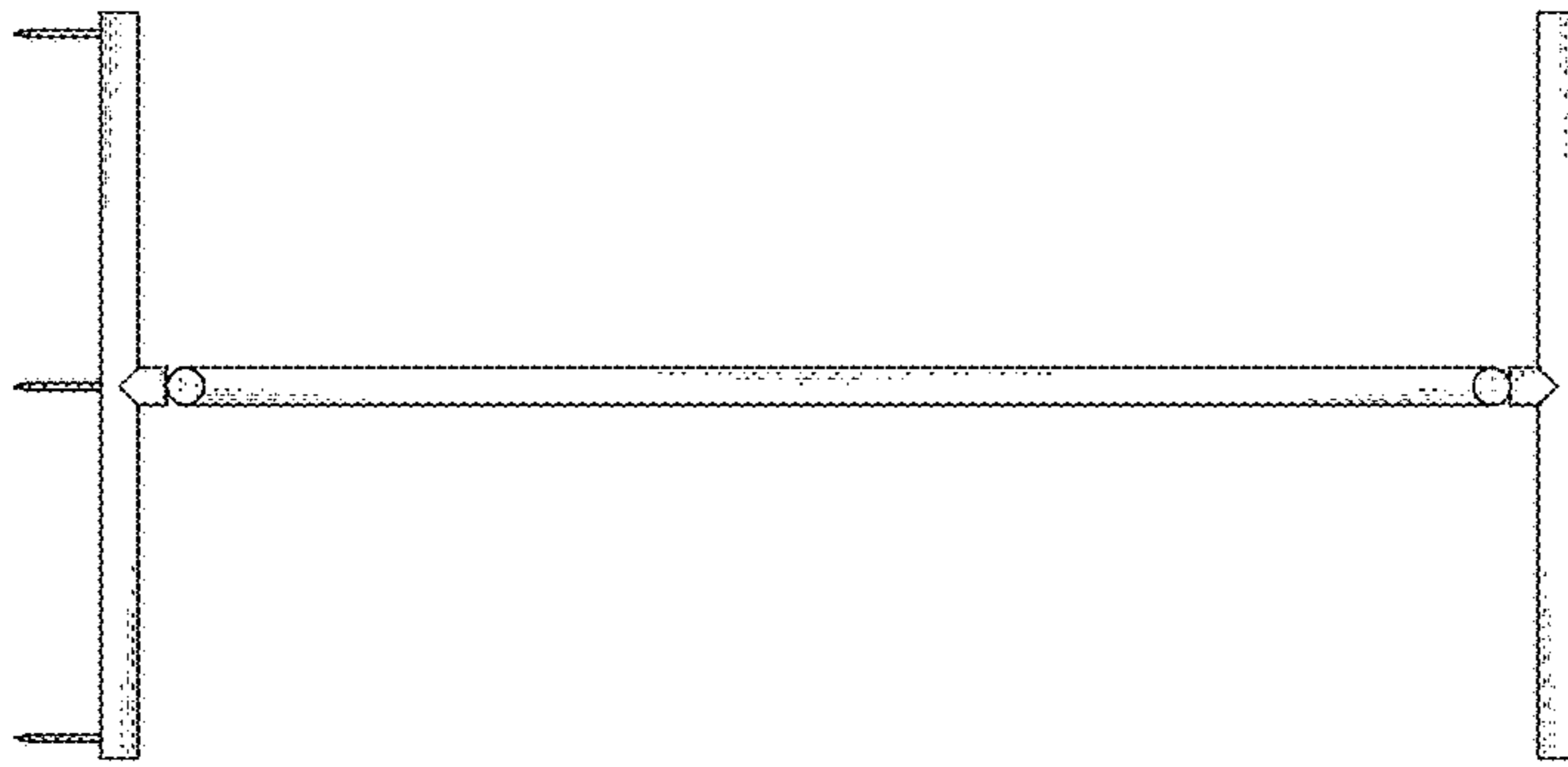


FIG. 3

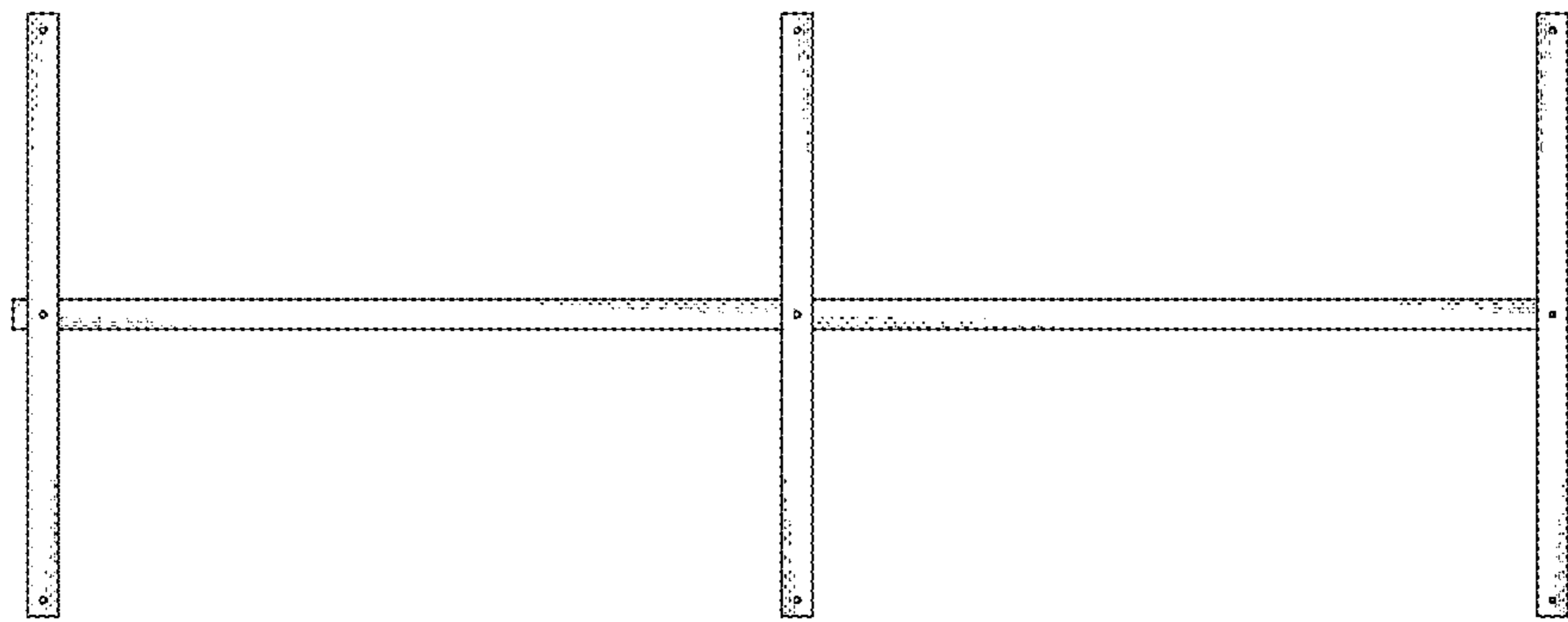


FIG. 4

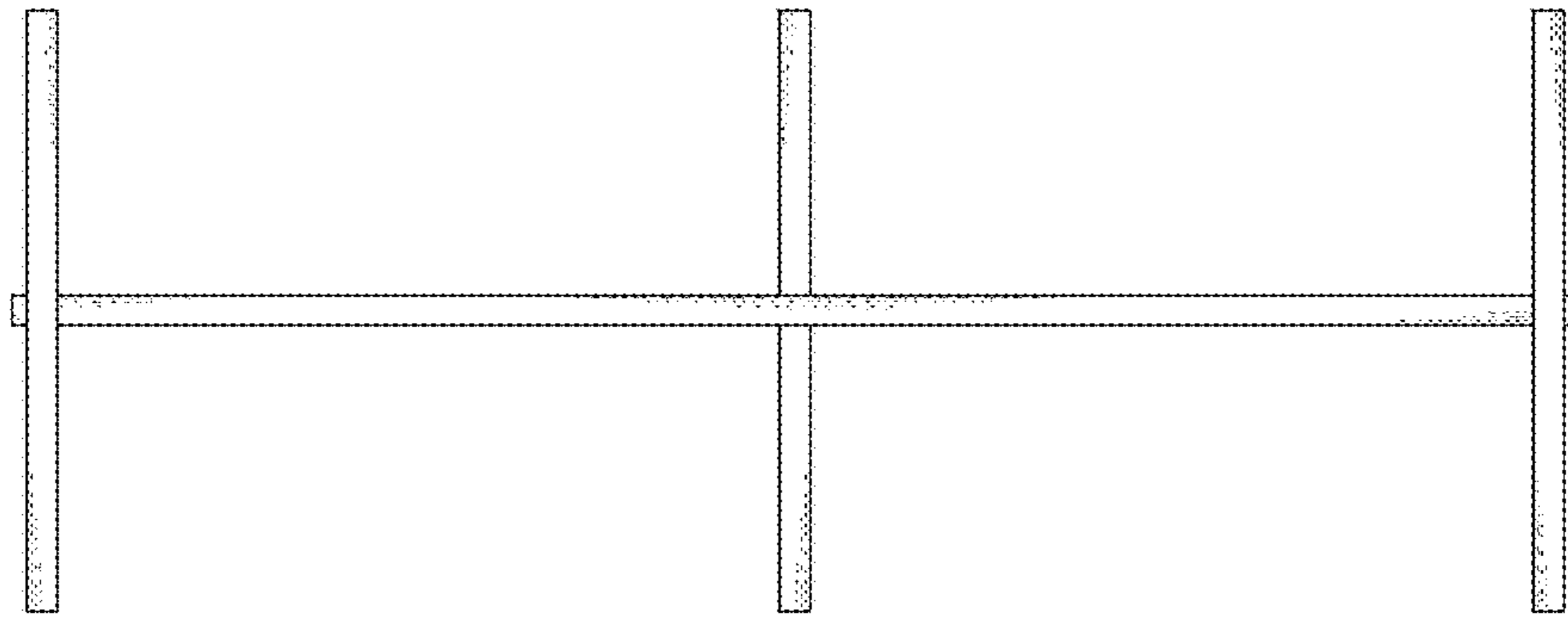


FIG. 5

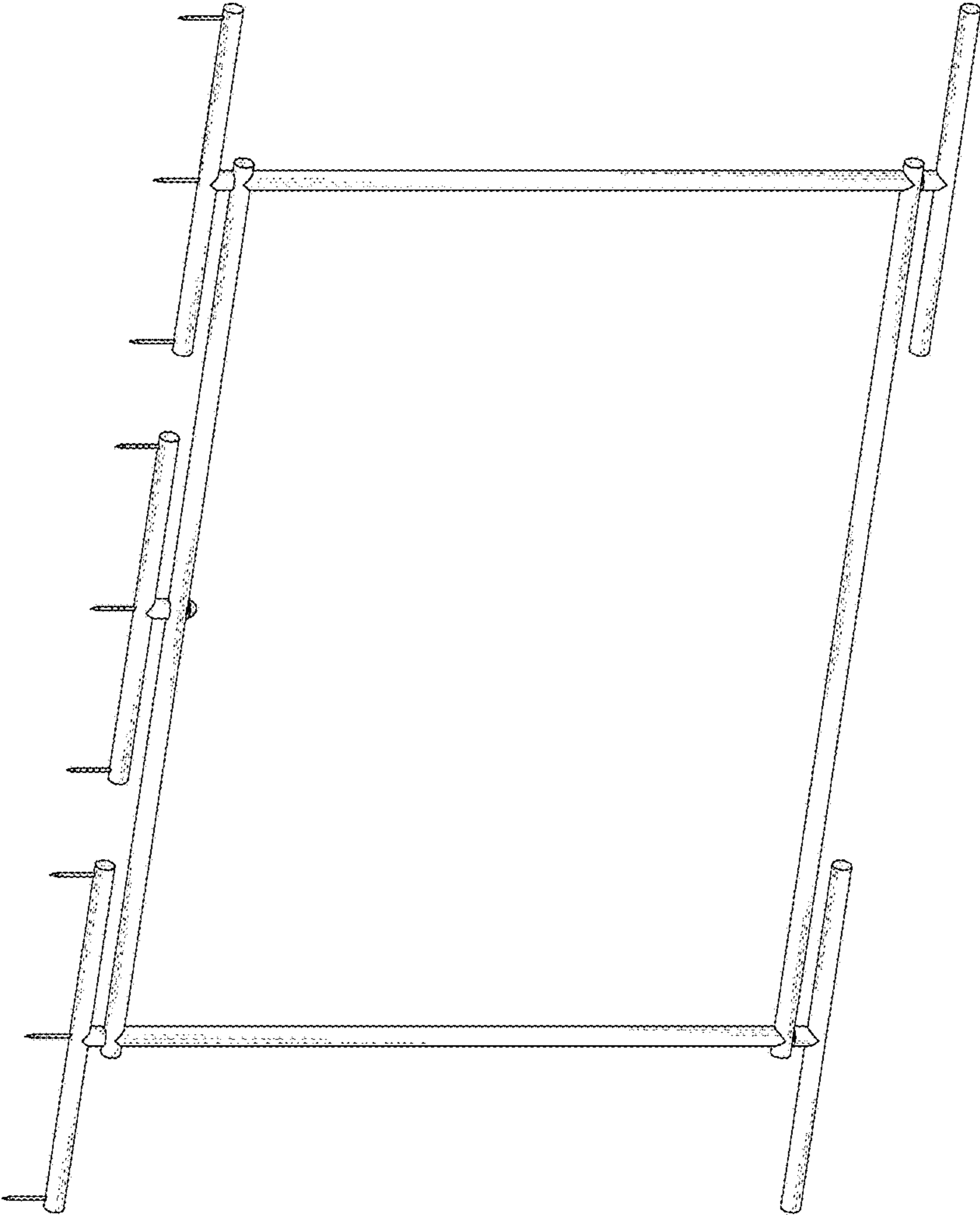


FIG. 6

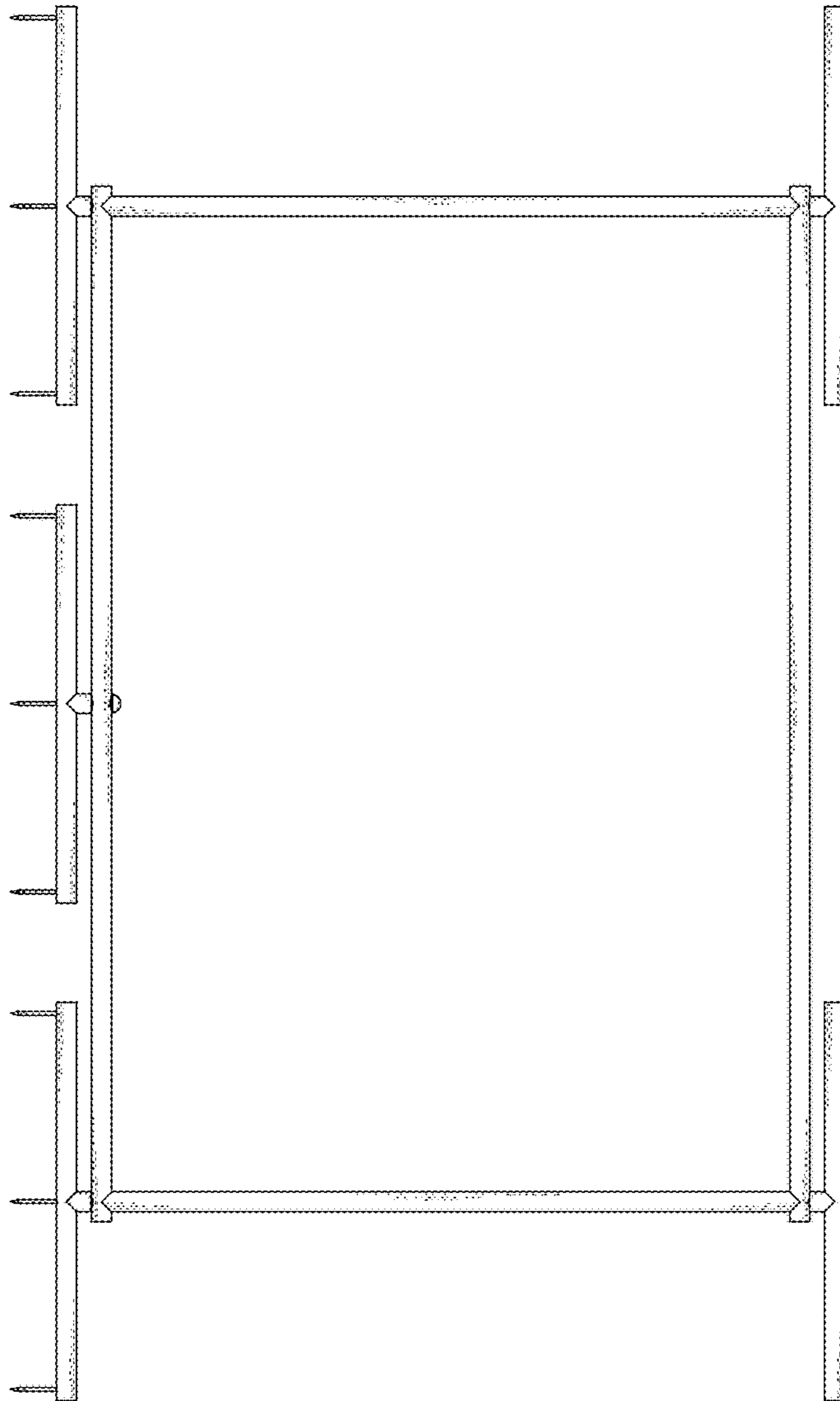


FIG. 7

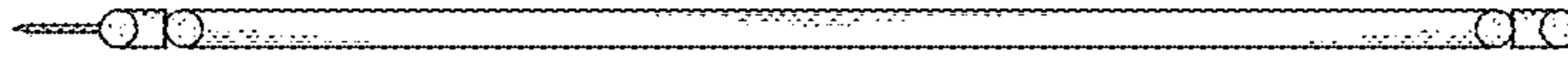


FIG. 8

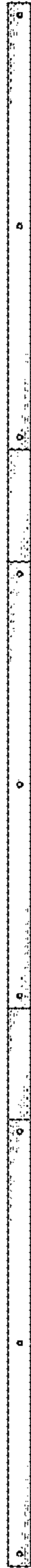


FIG. 9

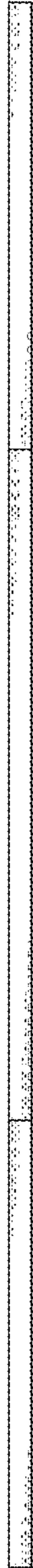


FIG. 10