

US00D861275S

(12) **United States Design Patent** (10) **Patent No.:** **US D861,275 S**
Jordan, Jr. (45) **Date of Patent:** **** Sep. 24, 2019**

(54) **LANDSCAPING LAWN TARPAULIN**

(71) Applicant: **James D. Jordan, Jr.**, Grove City, OH (US)

(72) Inventor: **James D. Jordan, Jr.**, Grove City, OH (US)

(**) Term: **15 Years**

(21) Appl. No.: **29/591,904**

(22) Filed: **Jan. 25, 2017**

(51) **LOC (12) Cl.** **09-09**

(52) **U.S. Cl.**
USPC **D34/1**

(58) **Field of Classification Search**

USPC D34/1, 10, 4; D24/126, 187, 189, 206;
604/378; 383/17, 117, 4, 71; 442/295;
294/137, 214; D32/35; 248/99;
D12/401; 135/90; 160/120, 264;
D6/603; D2/719, 718, 823; D30/145;
D3/20
CPC ... B65F 2240/138; B65F 1/1415; B65B 67/04
See application file for complete search history.

(56) **References Cited**

U.S. PATENT DOCUMENTS

4,643,726 A * 2/1987 Gegelys A61F 5/4401
D24/126
D327,345 S * 6/1992 Lammon D34/1
D327,542 S * 6/1992 Janson D24/126
5,906,602 A * 5/1999 Weber A61F 13/535
604/378
D471,631 S * 3/2003 Dunshee D24/189
7,594,754 B2 * 9/2009 Costello B65F 1/00
383/117

2010/0178828 A1* 7/2010 Garrison B65F 1/00
442/295
2012/0267909 A1* 10/2012 Sandel A01G 1/125
294/137
2017/0210557 A1* 7/2017 Jordan, Jr. B65F 1/00

* cited by examiner

Primary Examiner — Cynthia Ramirez
Assistant Examiner — Gino Colan
(74) *Attorney, Agent, or Firm* — Bryce D. Miracle;
Miracle IP

(57) **CLAIM**

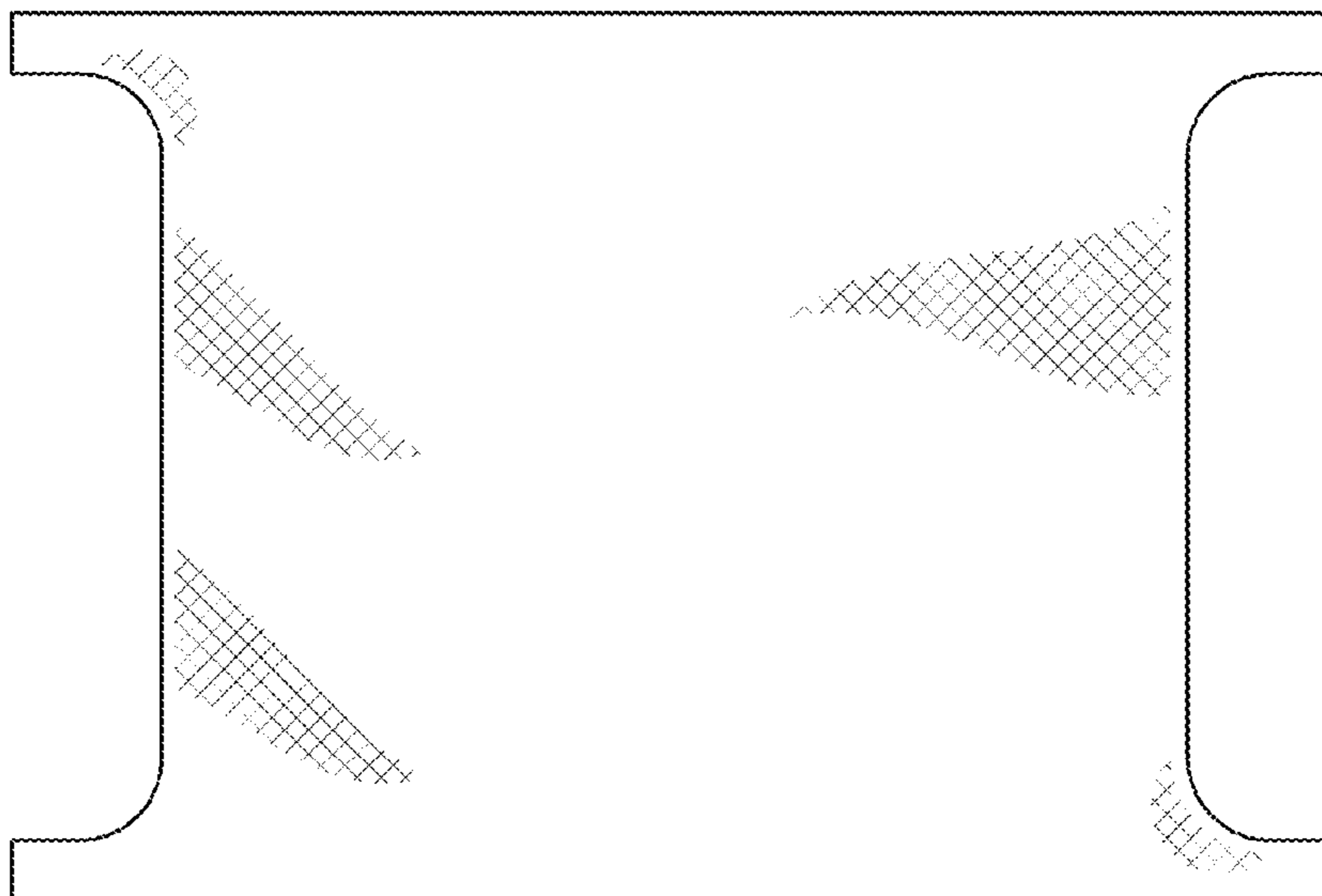
The ornamental design for a landscaping lawn tarpaulin, as shown and described.

DESCRIPTION

FIG. 1 is a top plan view of a landscaping lawn tarpaulin showing my new design;
FIG. 2 is front, right perspective view thereof;
FIG. 3 is an illustrative perspective view showing use of the landscaping lawn tarpaulin;
FIG. 4 is an illustrative perspective view showing use of the landscaping lawn tarpaulin;
FIG. 5 is an illustrative perspective view showing use of the landscaping lawn tarpaulin;
FIG. 6 is an illustrative perspective view showing use of the landscaping lawn tarpaulin;
FIG. 7 is an illustrative perspective view showing use of the landscaping lawn tarpaulin;
FIG. 8 is an illustrative perspective view showing use of the landscaping lawn tarpaulin; and,
FIG. 9 is an illustrative perspective view showing use of the landscaping lawn tarpaulin.

The broken lines shown in the drawings represent environmental matter and form no part of the claimed design. The cross hatching shading in the figures is fragmentarily shown for convenience of illustration, it being understood that the cross hatching shading is uniformly continued over the surface on which it appears.

1 Claim, 4 Drawing Sheets



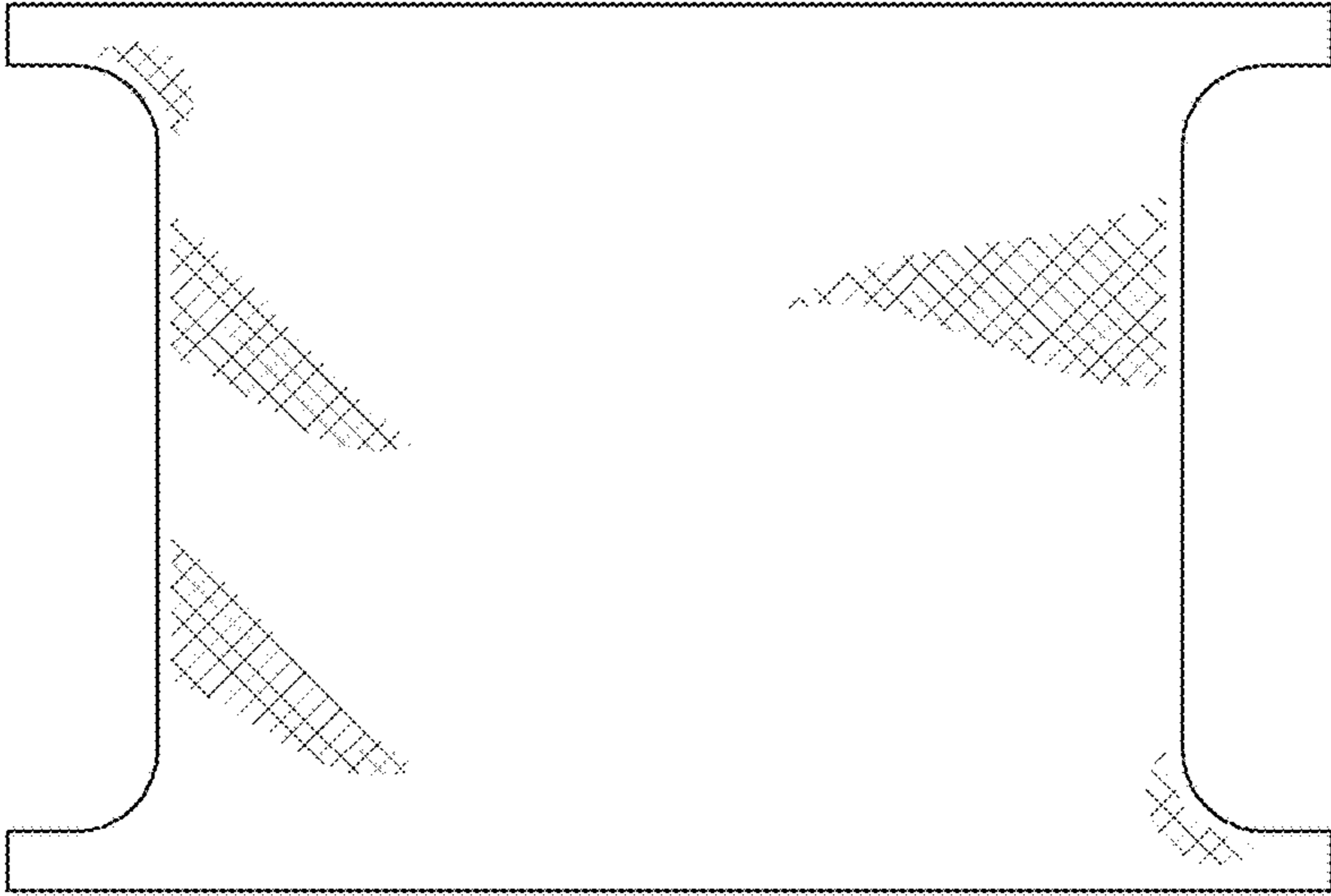


FIG. 1

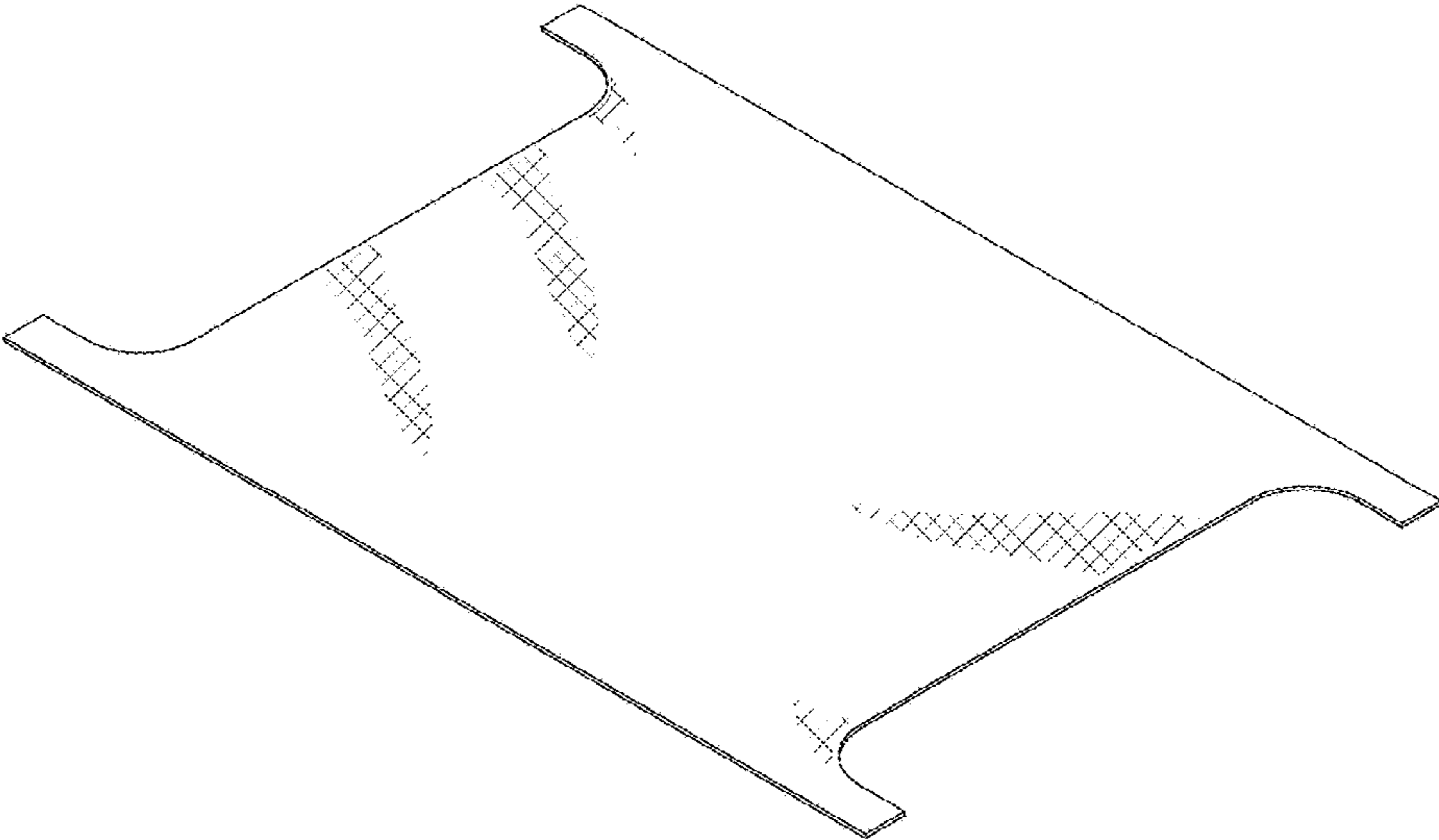


FIG. 2

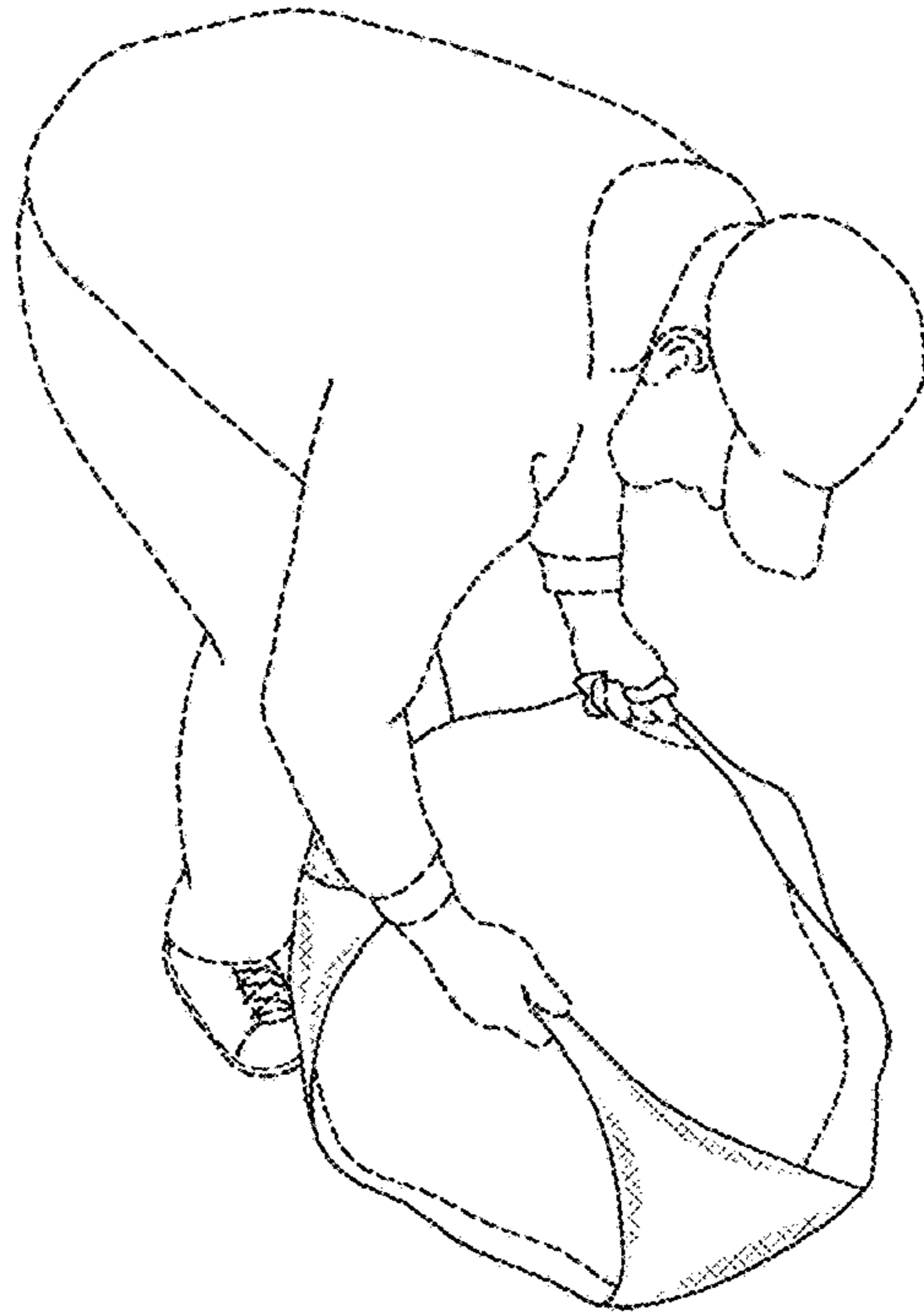


FIG. 3

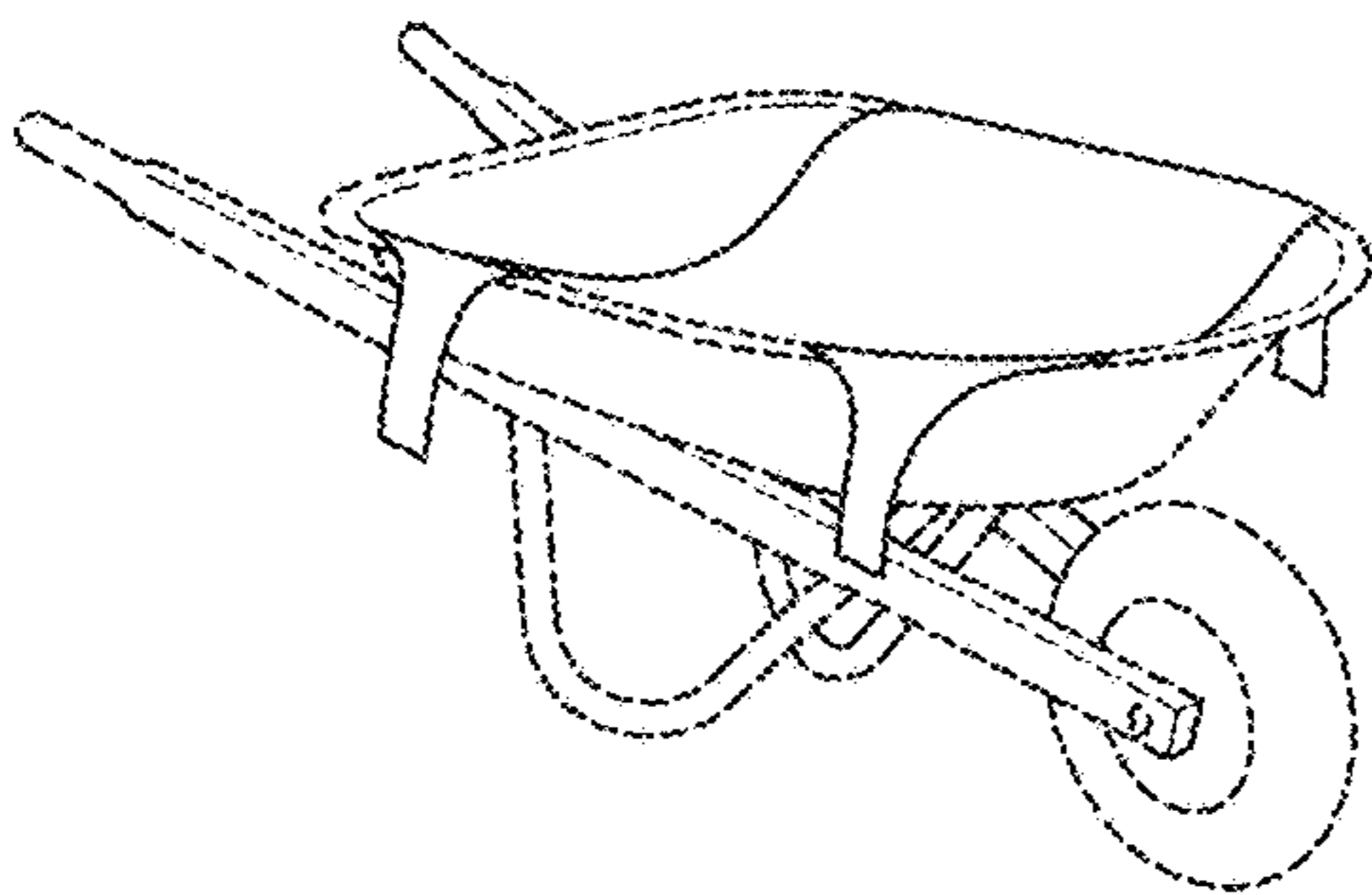


FIG. 4

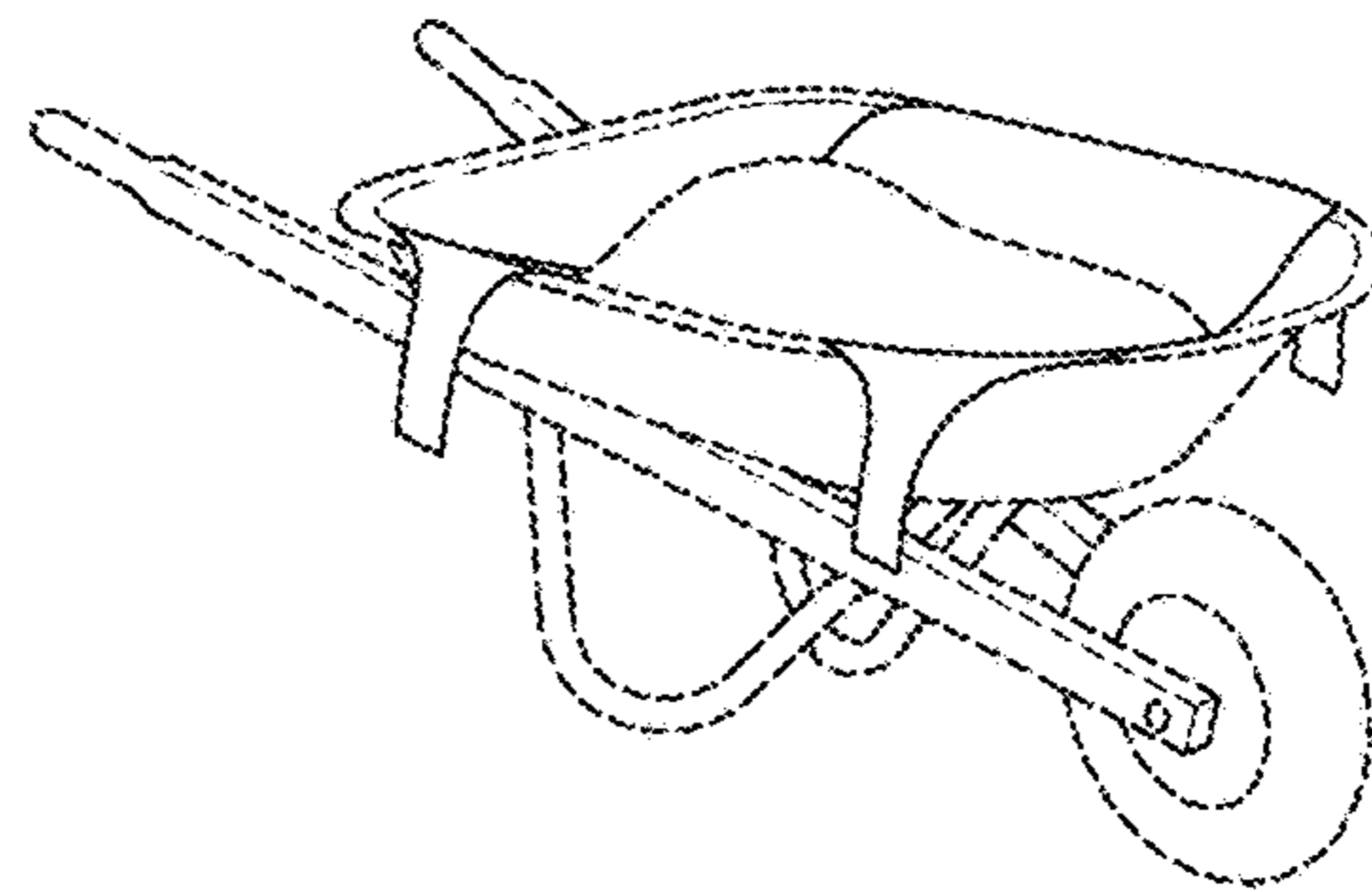


FIG. 5

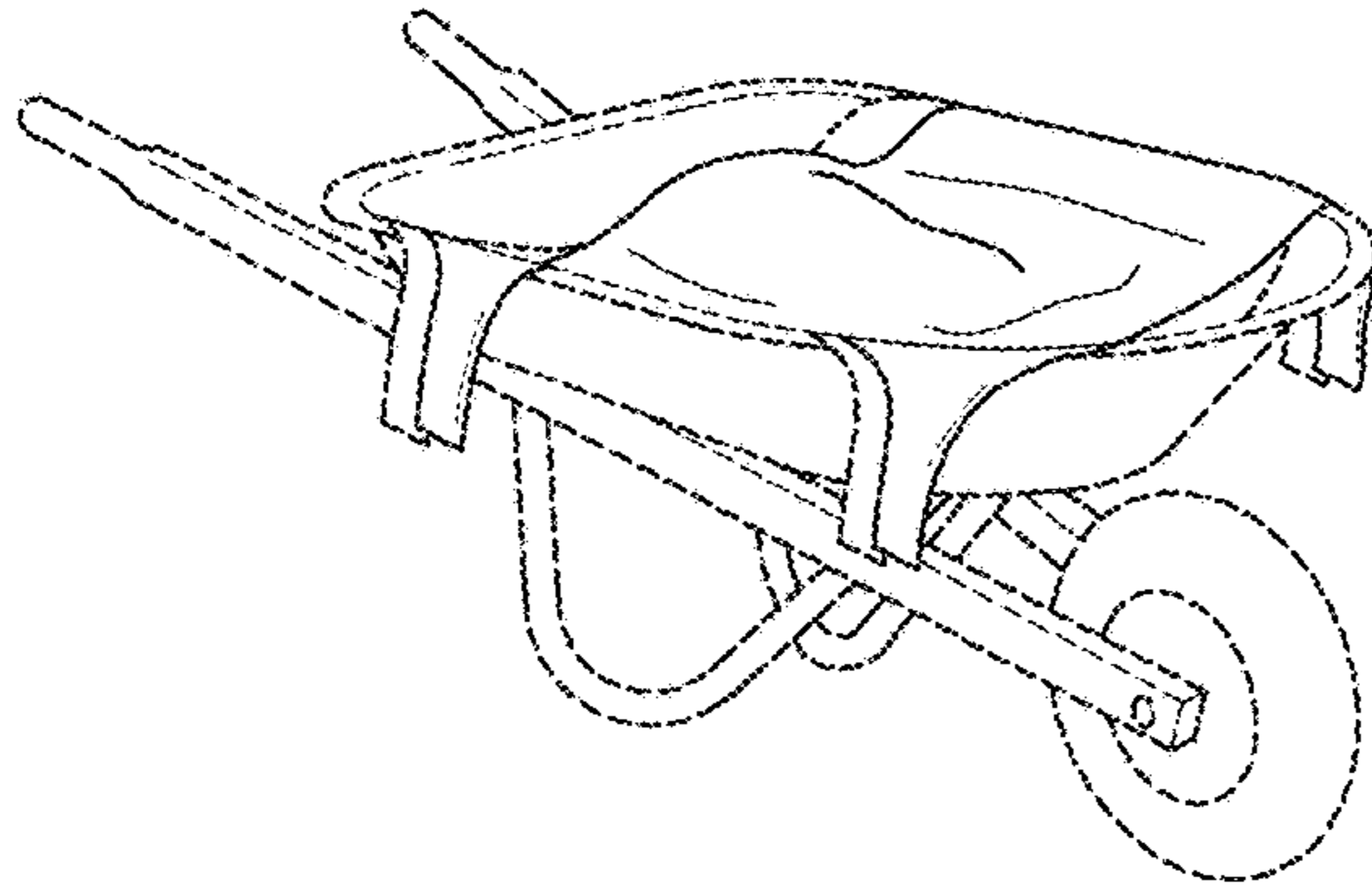


FIG. 6

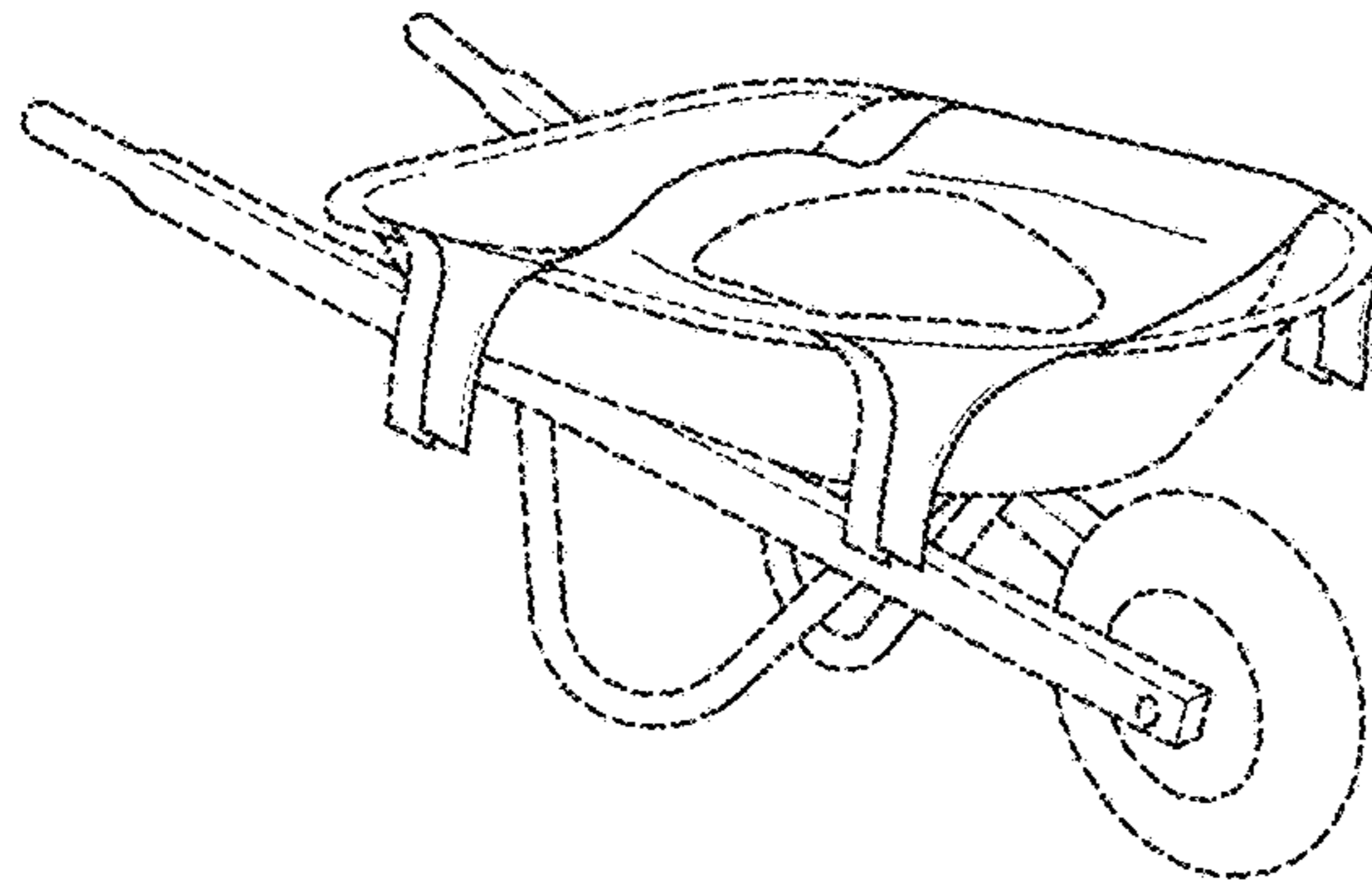


FIG. 7

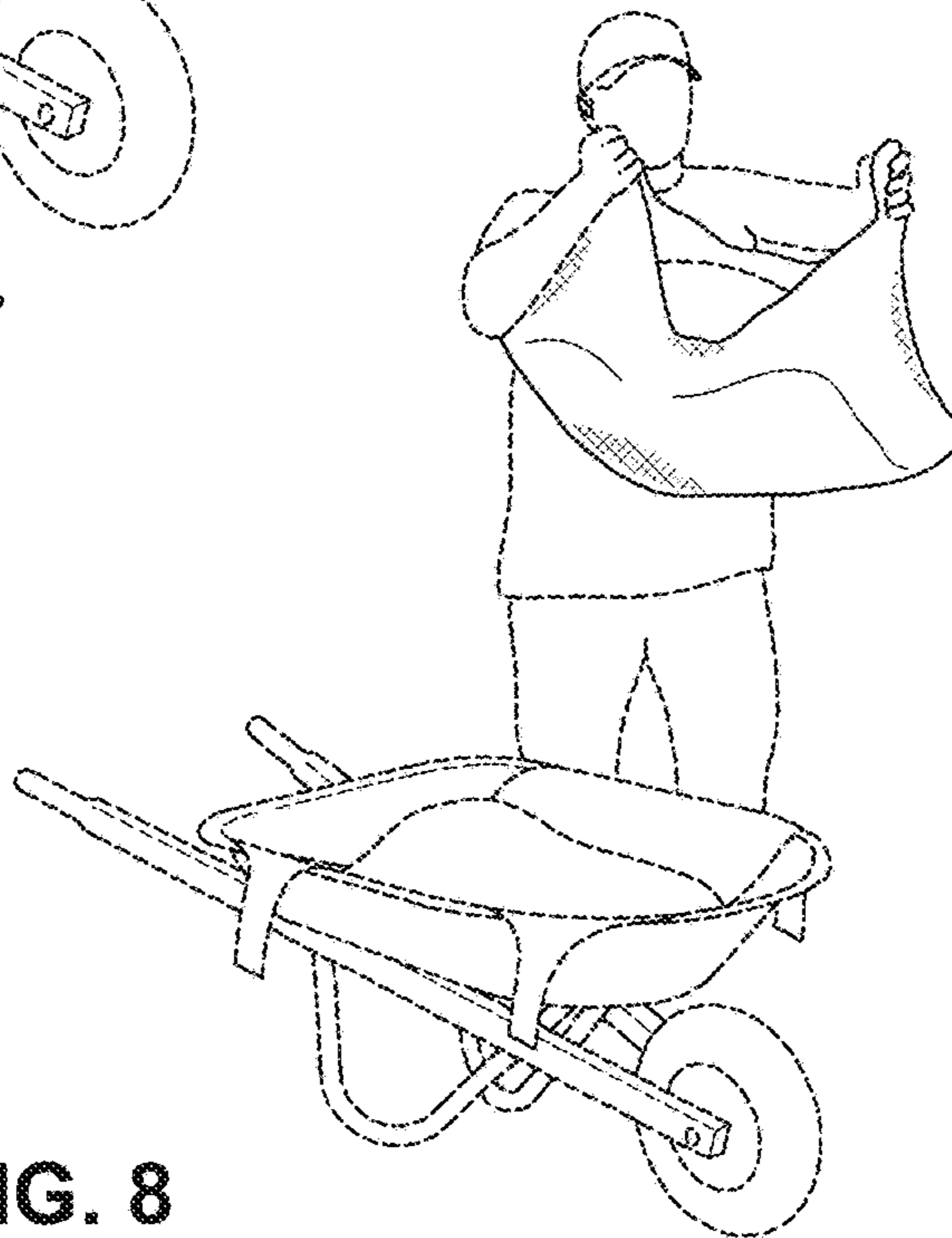


FIG. 8

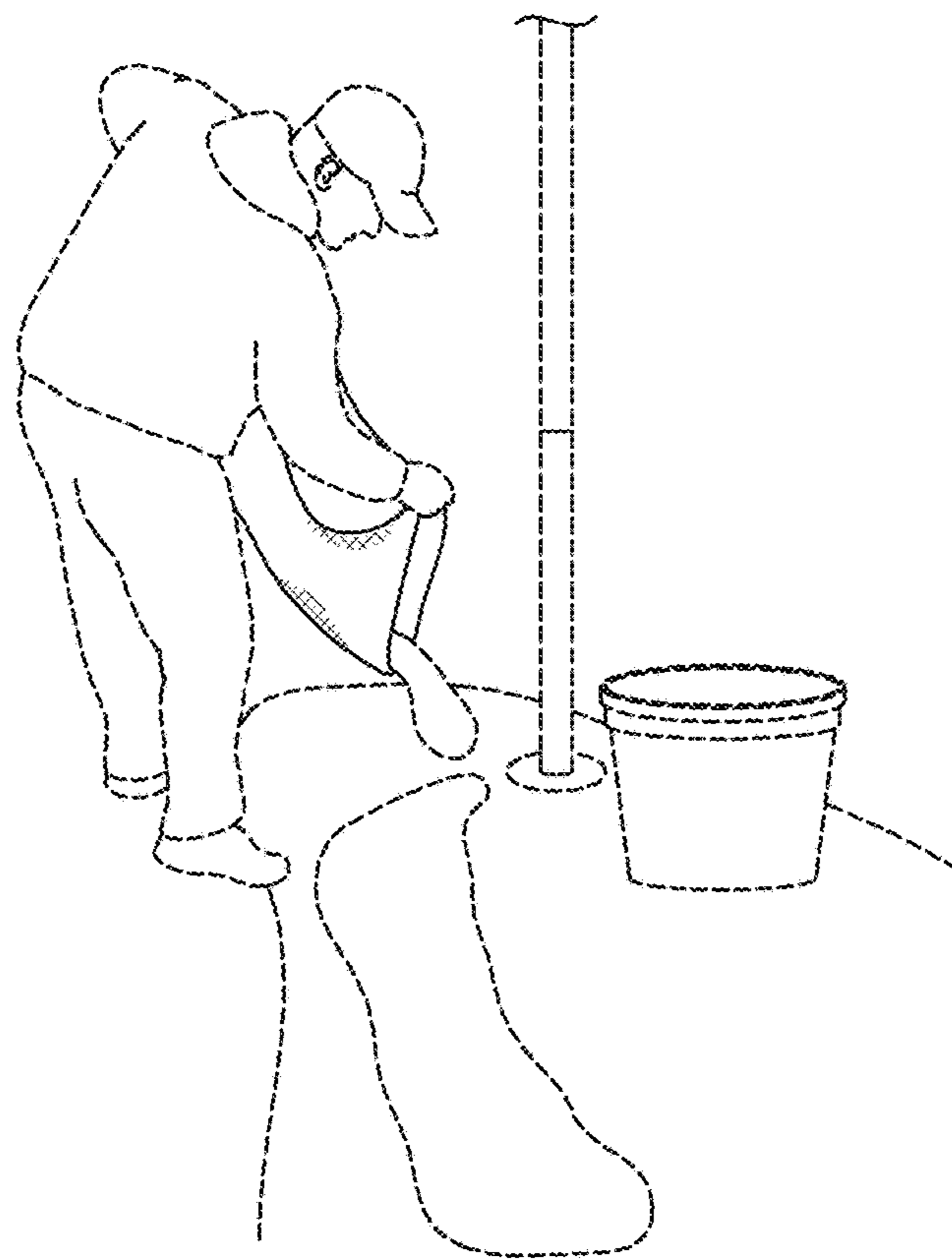


FIG. 9