



US00D861274S

(12) **United States Design Patent**
Mitchell

(10) **Patent No.:** **US D861,274 S**

(45) **Date of Patent:** **** Sep. 24, 2019**

- (54) **WET PAINT BRUSH HOLDER**
- (71) Applicant: **Laurence Mitchell**, Toledo, OH (US)
- (72) Inventor: **Laurence Mitchell**, Toledo, OH (US)
- (**) Term: **15 Years**
- (21) Appl. No.: **29/620,339**
- (22) Filed: **Mar. 15, 2017**
- (51) **LOC (12) Cl.** **07-05**
- (52) **U.S. Cl.**
USPC **D32/54**
- (58) **Field of Classification Search**
USPC D32/53-54; 248/113
CPC B44D 3/12; B44D 3/123; B44D 3/125
See application file for complete search history.

- D346,054 S * 4/1994 Spangler D32/54
- D358,914 S * 5/1995 Masse D32/54
- 5,662,299 A * 9/1997 Mejia B44D 3/123
248/113
- D405,574 S * 2/1999 Riky D32/54
- D419,737 S * 1/2000 Searcy D32/54
- D473,689 S * 4/2003 Verhaar D32/54
- D586,969 S * 2/2009 Graham D32/53
- 9,393,831 B1 * 7/2016 Schmidt B44D 3/128
- D772,513 S * 11/2016 Mitford D32/54

* cited by examiner

Primary Examiner — Kevin K Rudzinski

(57) **CLAIM**

The ornamental design for a wet paint brush holder, as shown and described.

(56) **References Cited**

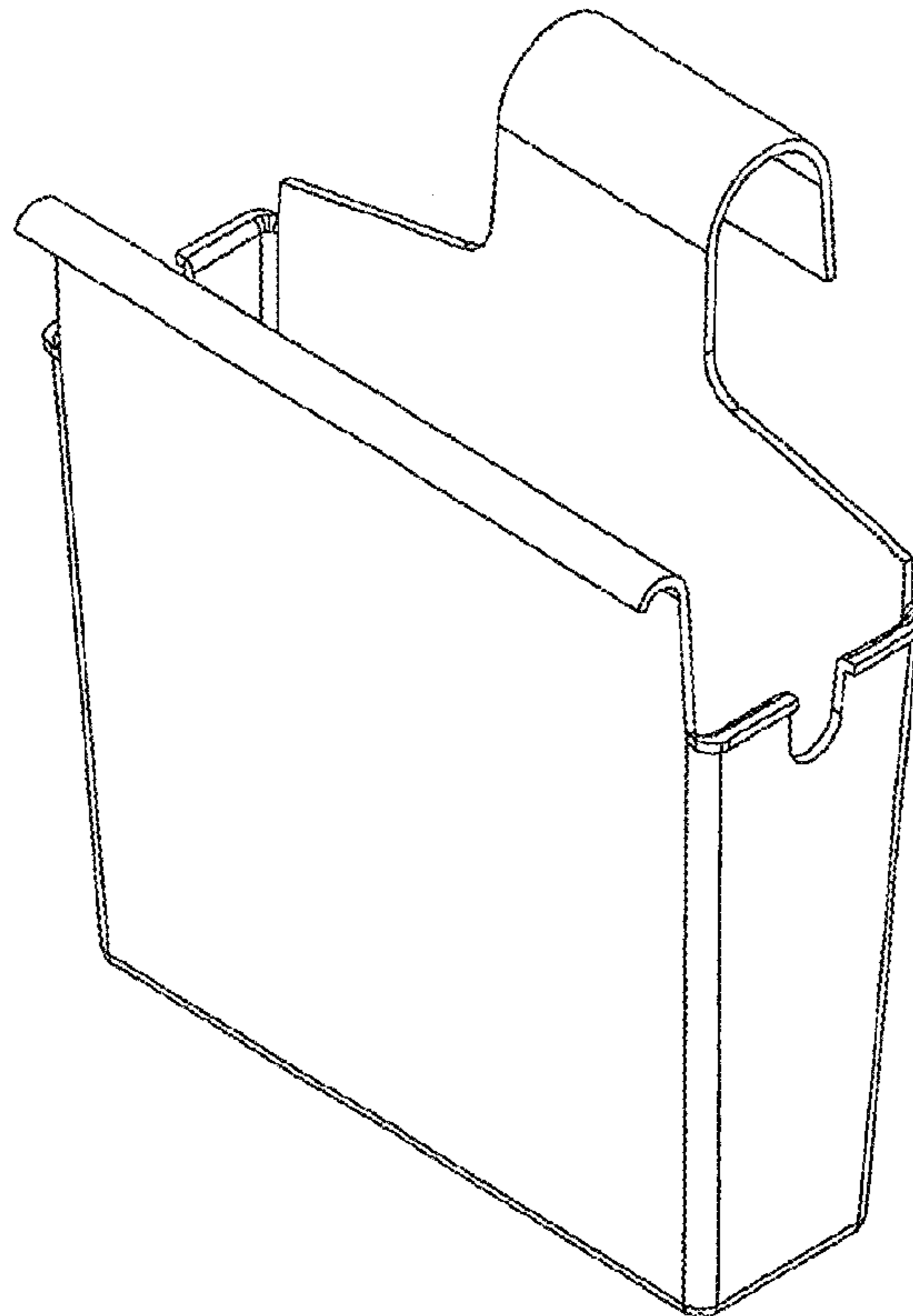
U.S. PATENT DOCUMENTS

- 1,496,346 A * 6/1924 Lindmark B44D 3/123
15/168
- 4,014,453 A * 3/1977 Tarnacki B44D 3/123
220/697
- D300,970 S * 5/1989 Walker D32/53
- D327,148 S * 6/1992 Alessi B44D 3/123
D32/54
- 5,207,348 A * 5/1993 Fischer B44D 3/123
220/697

DESCRIPTION

FIG. 1 is an isometric view of the wet paint brush holder showing my new design;
FIG. 2 is the top view thereof;
FIG. 3 is the bottom view thereof;
FIG. 4 is the right view thereof; and,
FIG. 5 is the left view thereof.

1 Claim, 5 Drawing Sheets



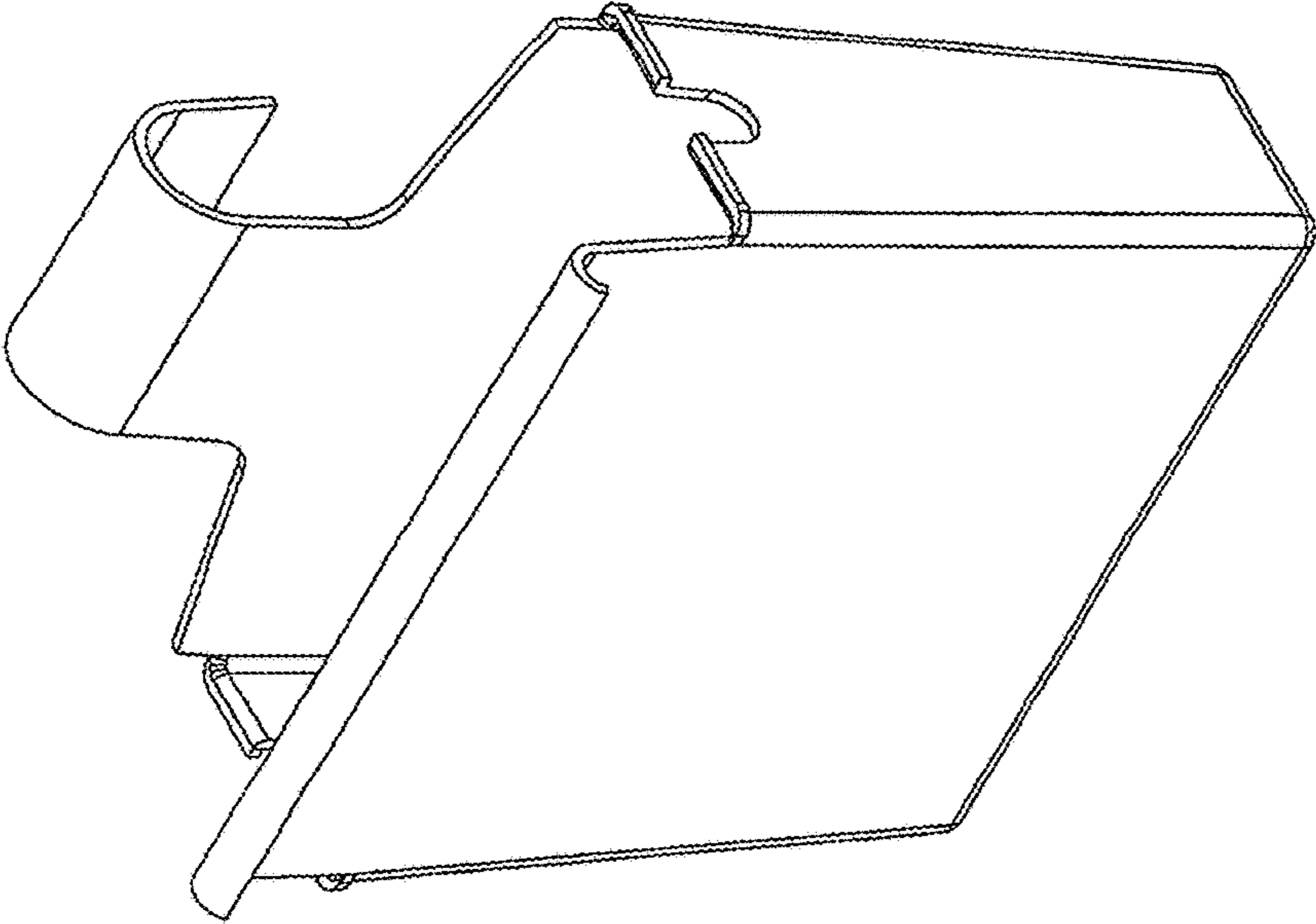


FIG. 1

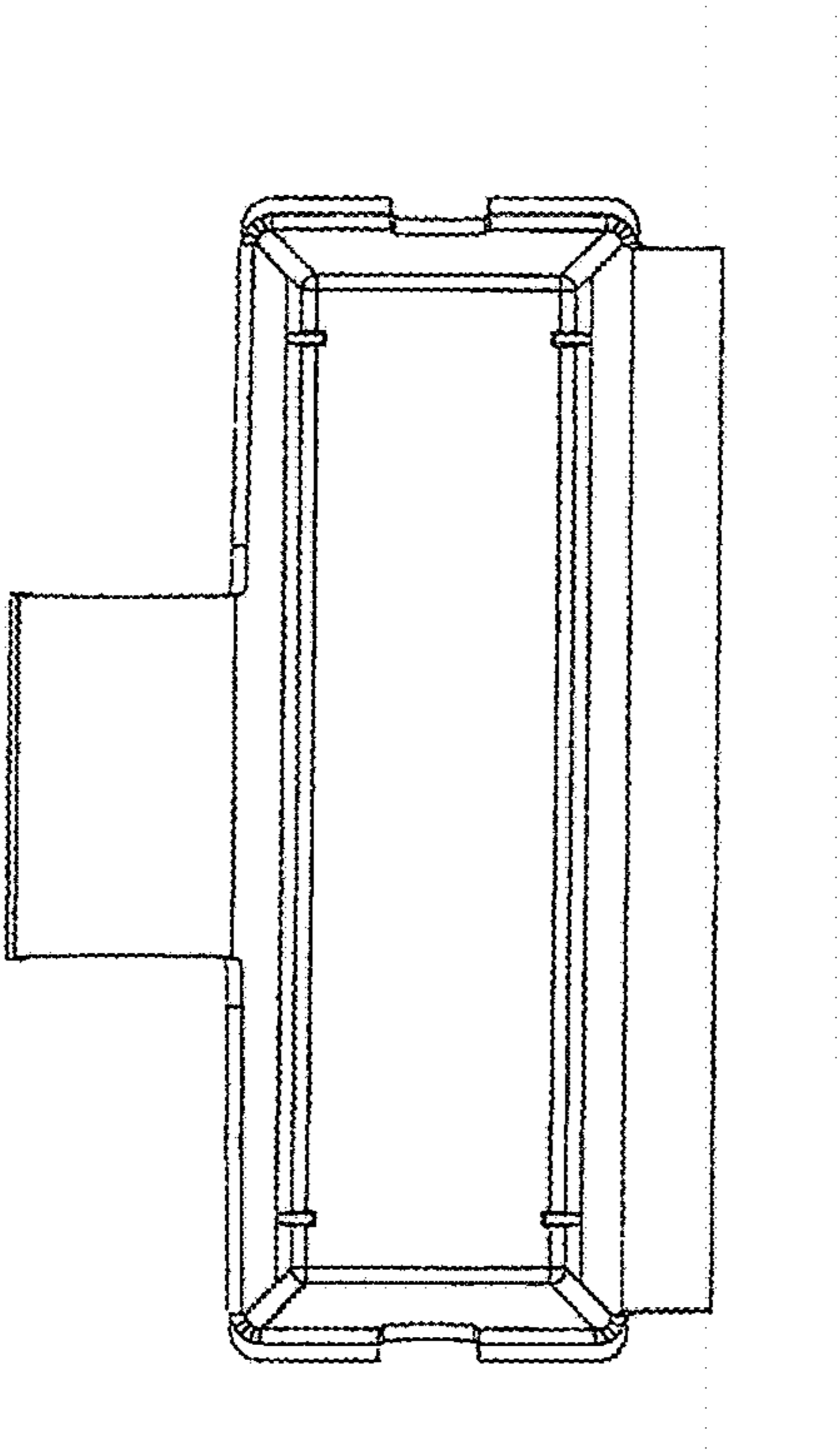


FIG. 2

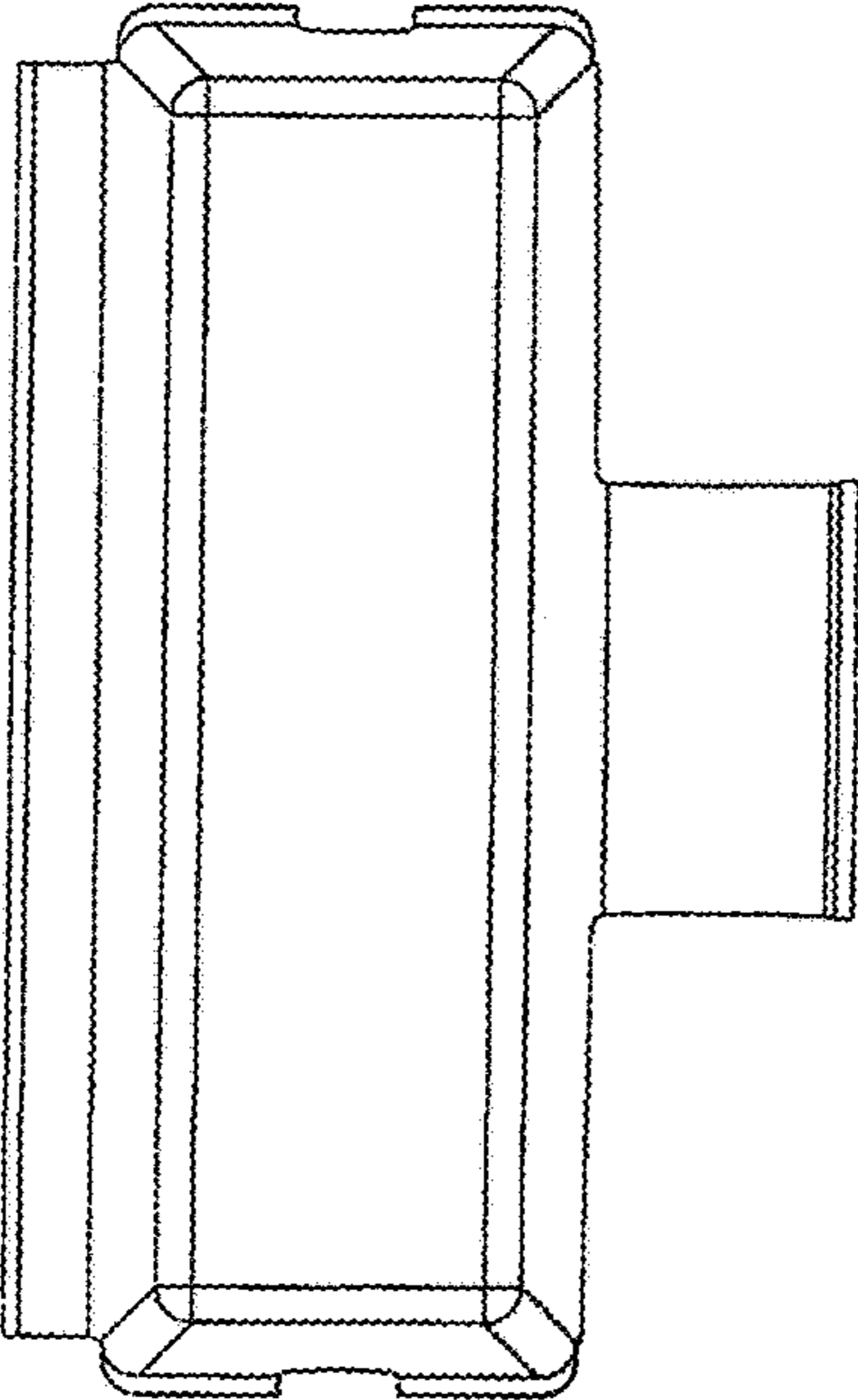


FIG. 3

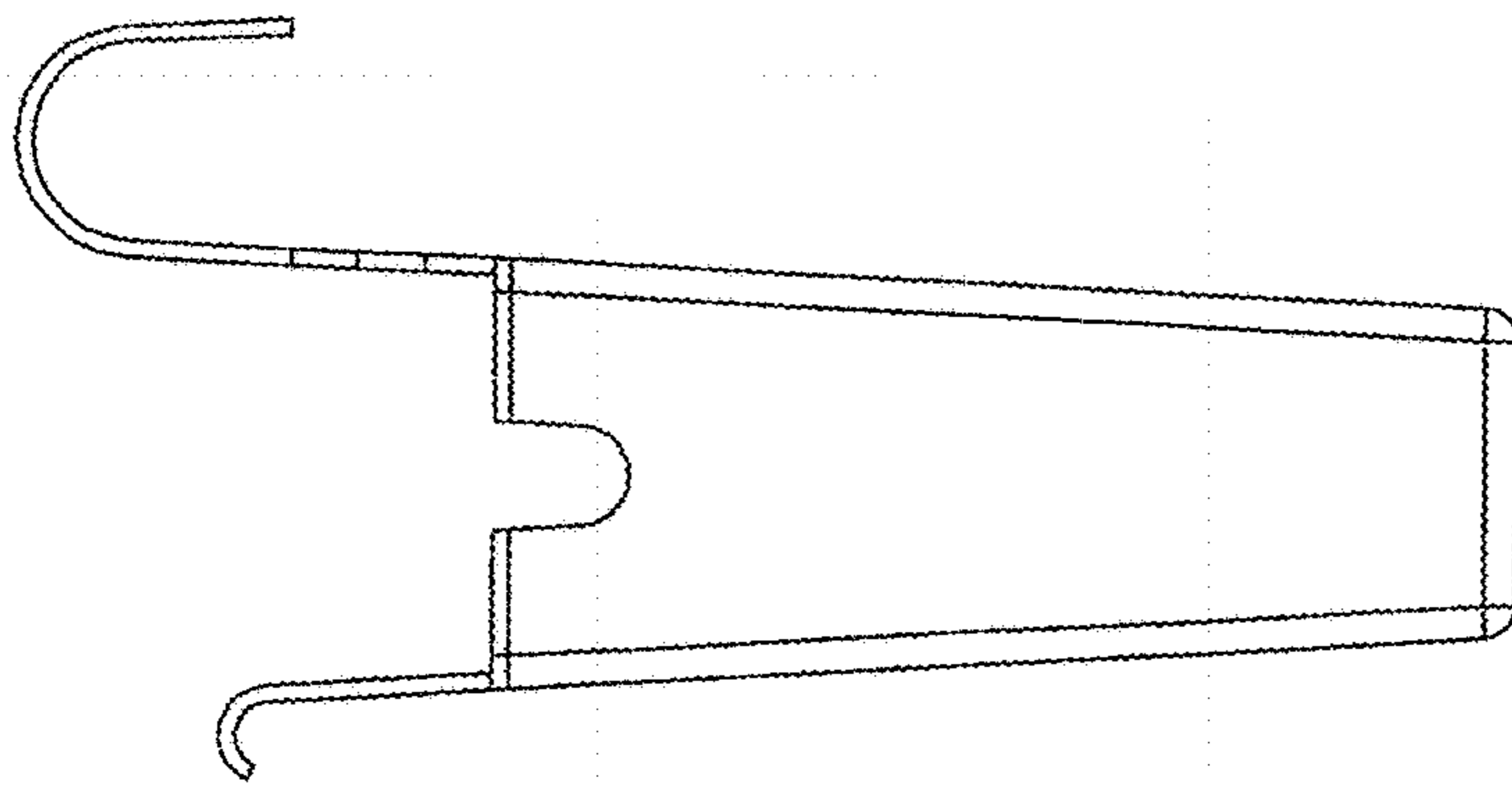


FIG. 4

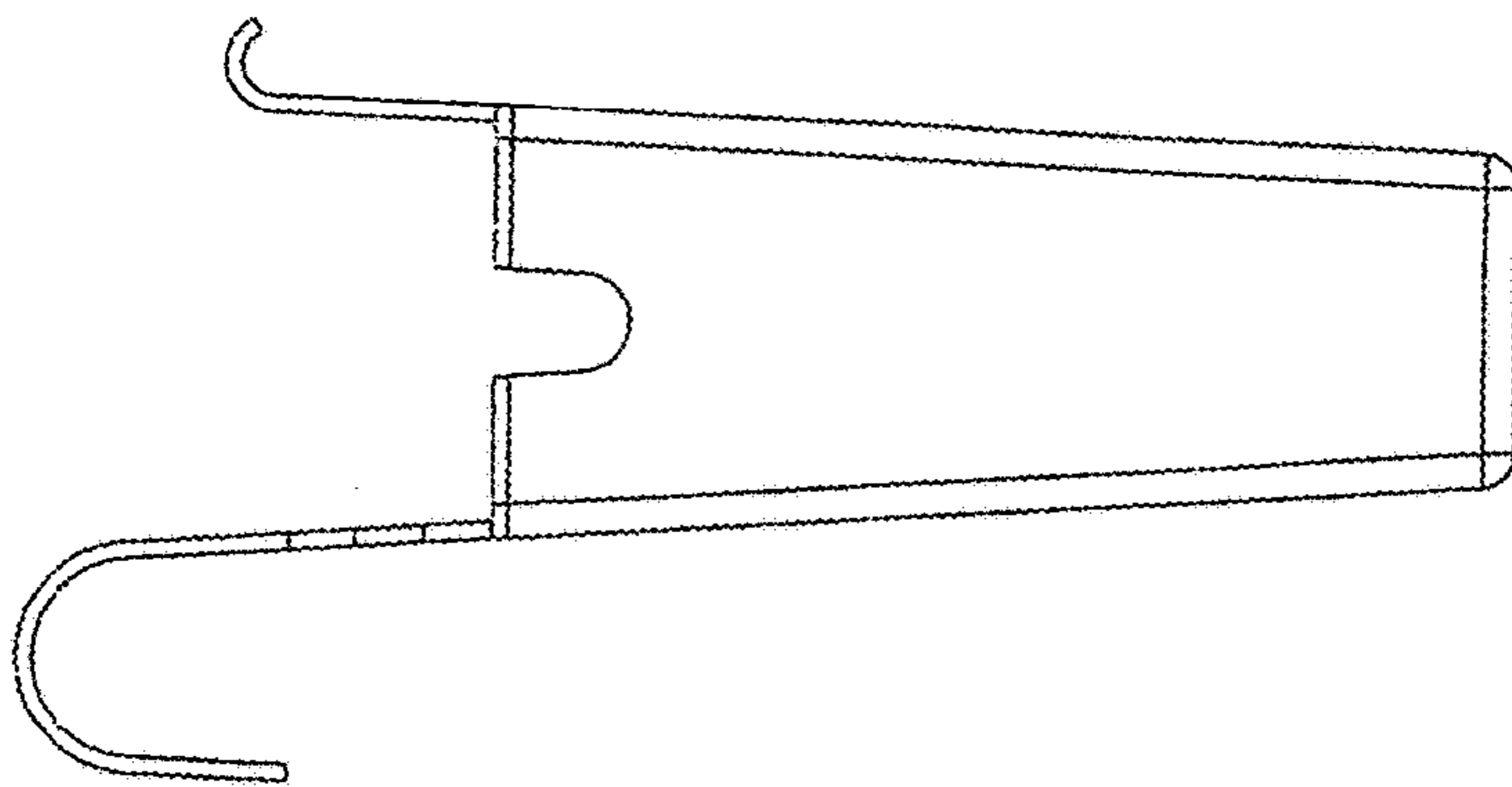


FIG. 5