



US00D861271S

(12) **United States Design Patent** (10) **Patent No.:** **US D861,271 S**
Zemel (45) **Date of Patent:** **** Sep. 24, 2019**

(54) **HANDLE**
(71) Applicant: **MR. BAR-B-Q PRODUCTS LLC**,
Melville, NY (US)
(72) Inventor: **Marc Zemel**, Melville, NY (US)
(73) Assignee: **MR. BAR-B-Q PRODUCTS LLC**,
Melville, NY (US)

D680,701 S * 4/2013 Carlson D32/51
D690,116 S * 9/2013 Zemel D4/118
D753,404 S * 4/2016 Zemel D4/138
D819,977 S * 6/2018 Zemel D4/131
D822,928 S * 7/2018 Gooden D32/46
D833,153 S * 11/2018 Zemel D4/118
D839,605 S * 2/2019 Zemel D4/131
D845,639 S * 4/2019 Hu D4/118
2004/0148727 A1 * 8/2004 Veltrop A47L 13/022
15/236.01

(Continued)

(**) Term: **15 Years**

FOREIGN PATENT DOCUMENTS

(21) Appl. No.: **29/649,873**

JP D1525514 * 6/2015

(22) Filed: **Jun. 1, 2018**

OTHER PUBLICATIONS

(51) **LOC (12) Cl.** **07-05**

(52) **U.S. Cl.**
USPC **D32/46**

Global Solutions Grill Scraper, etundra website 2019, www.etundra.com, site visited May 16, 2019.*

(58) **Field of Classification Search**
USPC D32/40-43, 46; D8/10-11; D4/118, 131
CPC E01H 5/00; E01H 5/02; A47J 37/07; A47L
17/00; A47L 13/10; A47L 13/12; A47L
1/08; A47L 1/00

Primary Examiner — John Windmuller
Assistant Examiner — John R Yeh
(74) *Attorney, Agent, or Firm* — Carter, Deluca & Farrell LLP

See application file for complete search history.

(56) **References Cited**

(57) **CLAIM**

U.S. PATENT DOCUMENTS

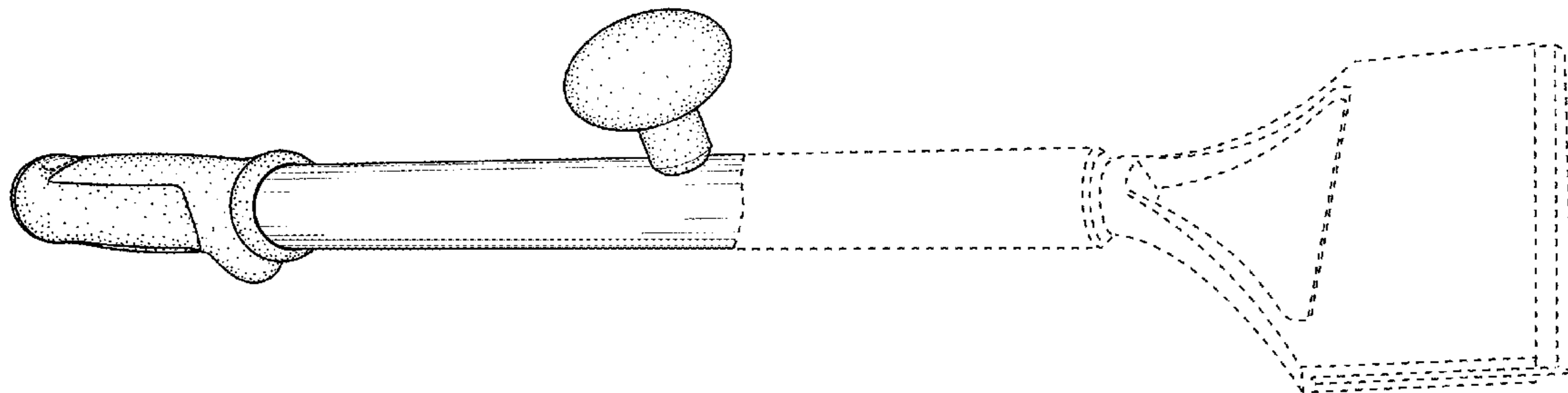
The ornamental design for a handle, as shown and described.

D318,158 S * 7/1991 Ediger 401/139
D362,937 S * 10/1995 Camp, Jr. D32/48
D364,015 S * 11/1995 Stoltzfus D32/46
D365,897 S * 1/1996 Pereira D32/46
6,216,306 B1 * 4/2001 Esterson A46B 5/02
15/111
6,443,646 B1 * 9/2002 MacDonald A46B 11/00
401/25
D521,200 S * 5/2006 Veltrop D32/49
7,047,590 B2 * 5/2006 Neal A47J 37/0786
15/111
D567,511 S * 4/2008 Borovicka D4/118
D575,525 S * 8/2008 Libman D4/118
D609,068 S * 2/2010 Lai D8/10
D663,531 S * 7/2012 Zemel D4/131
D664,363 S * 7/2012 Rothman D4/118

DESCRIPTION

FIG. 1 is a perspective view of a handle in accordance with the present design;
FIG. 2 is a right side elevational view thereof;
FIG. 3 is a left side elevational view thereof;
FIG. 4 is a front elevational view thereof;
FIG. 5 is a rear elevational view thereof;
FIG. 6 is a top plan view thereof; and,
FIG. 7 is a bottom plan view thereof.
The broken lines shown in the drawings illustrate portions of the handle that form no part of the claimed design.

1 Claim, 4 Drawing Sheets



(56)

References Cited

U.S. PATENT DOCUMENTS

2010/0212099 A1* 8/2010 Payne A47L 13/10
15/231

* cited by examiner

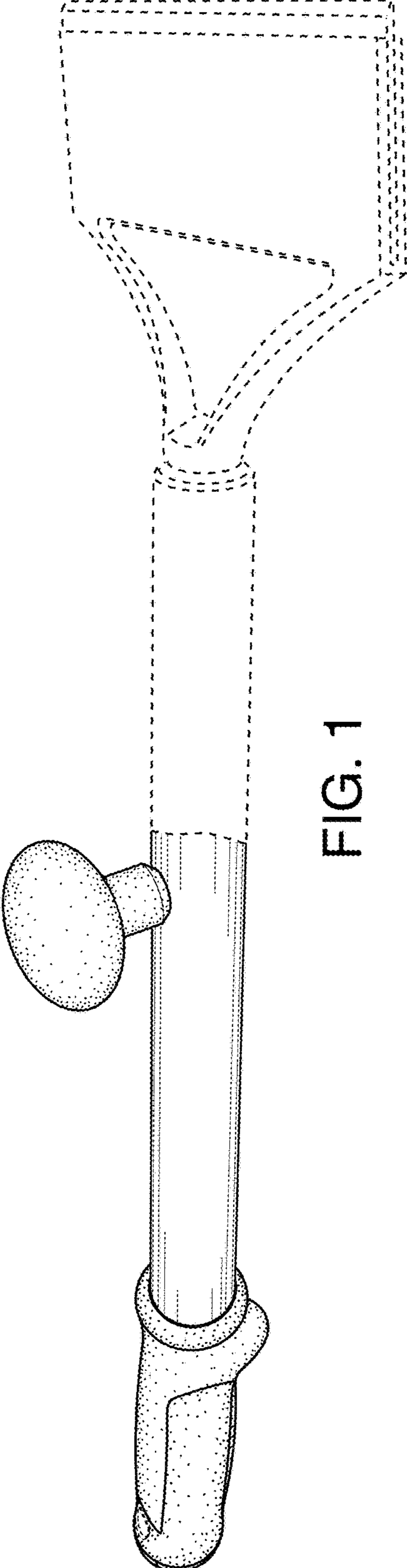


FIG. 1

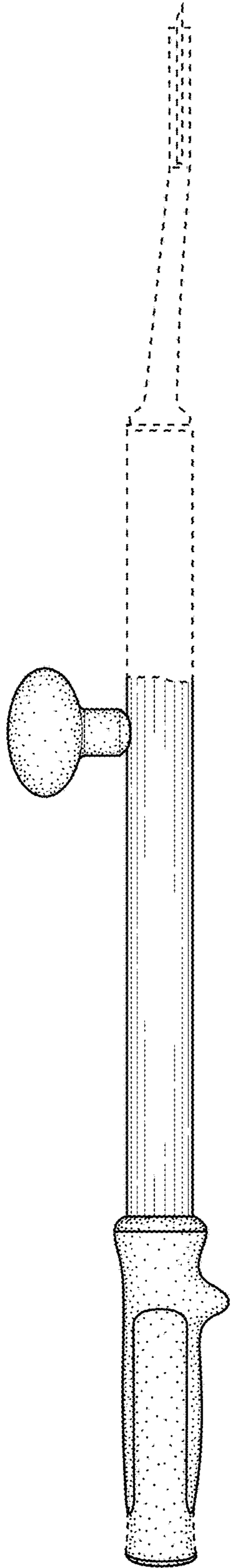


FIG. 2

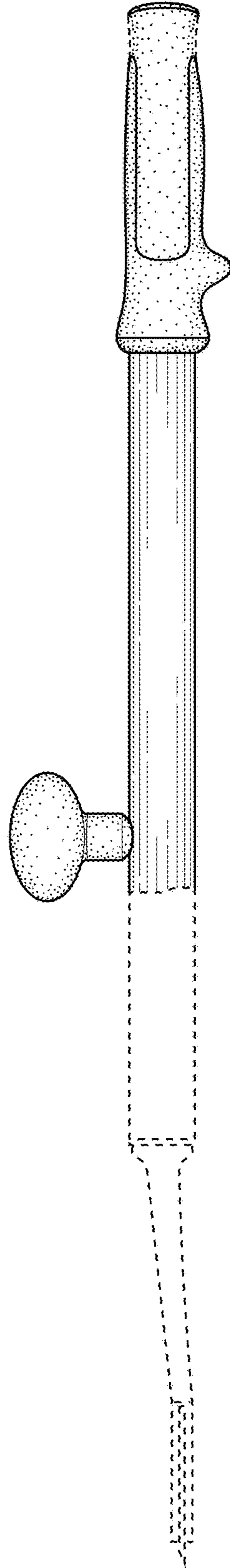


FIG. 3

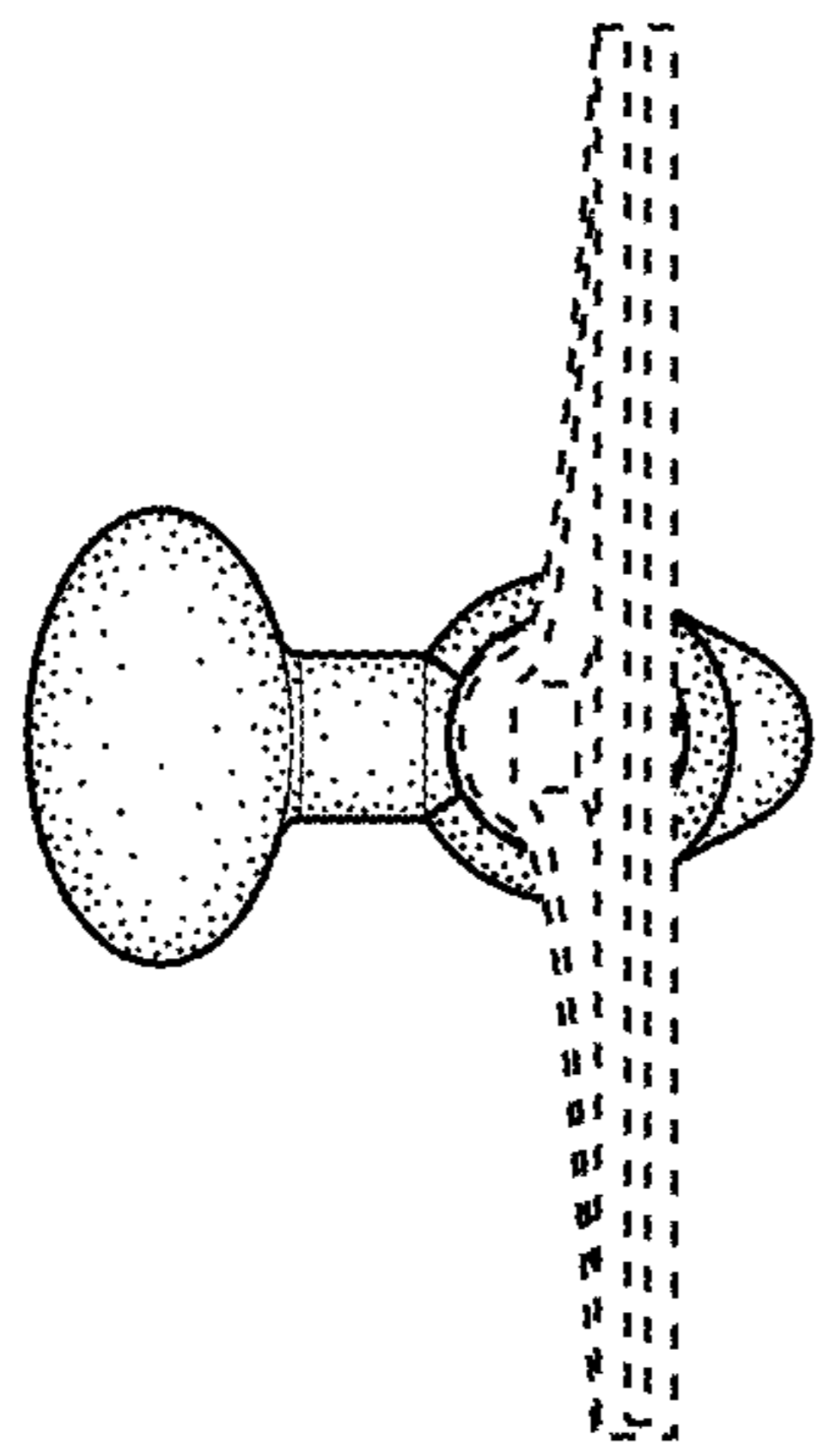


FIG. 4

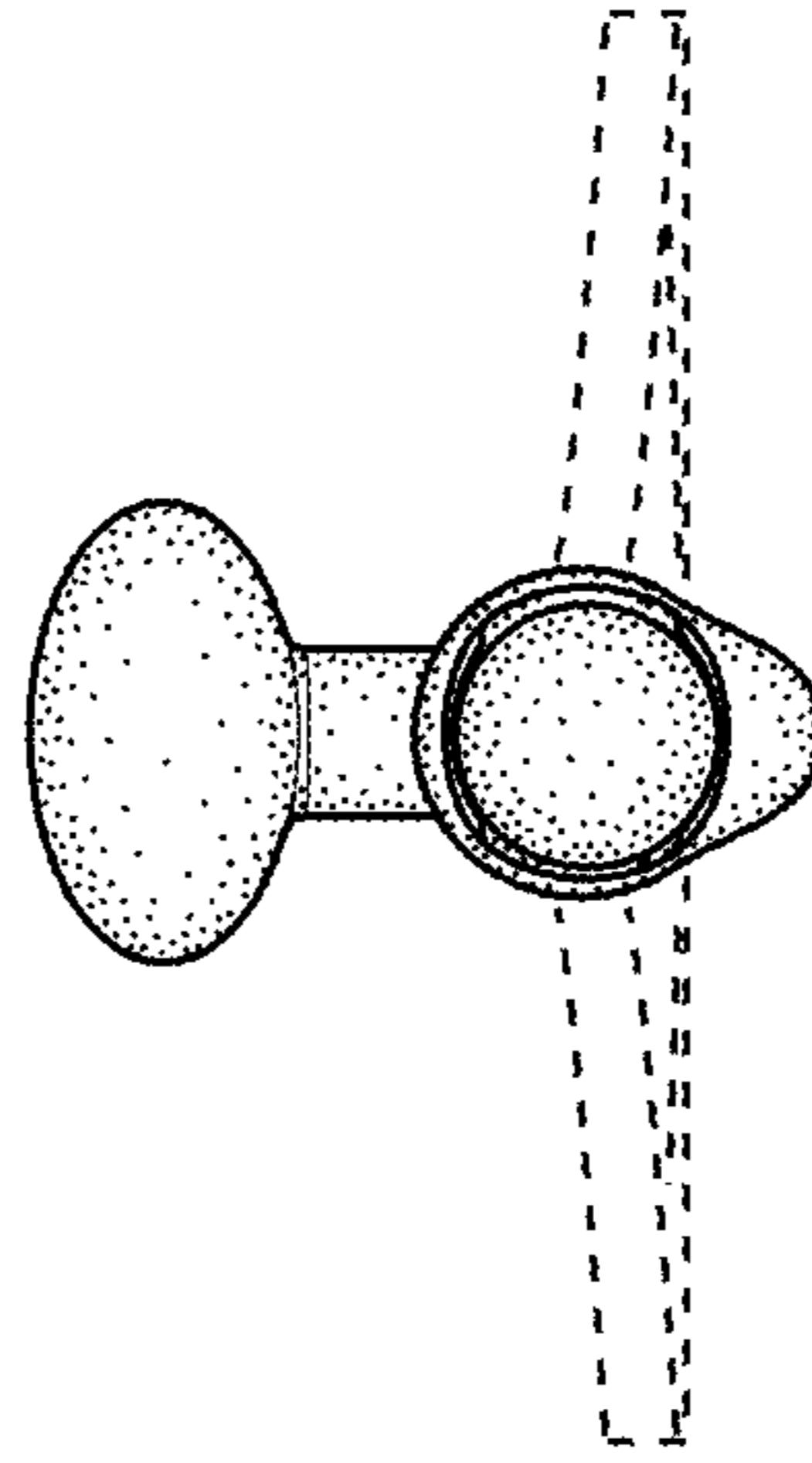


FIG. 5

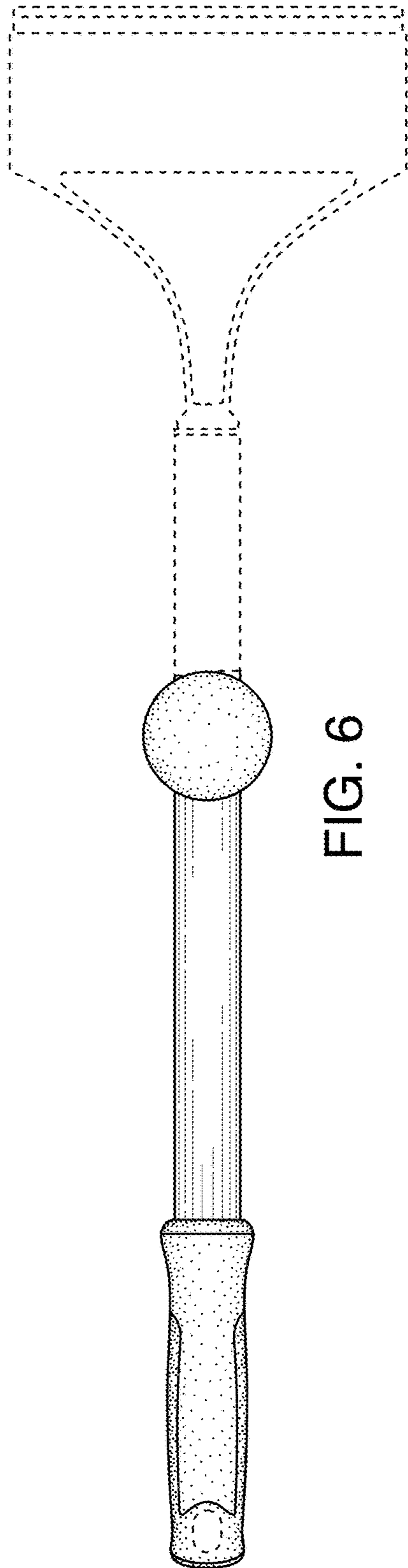


FIG. 6

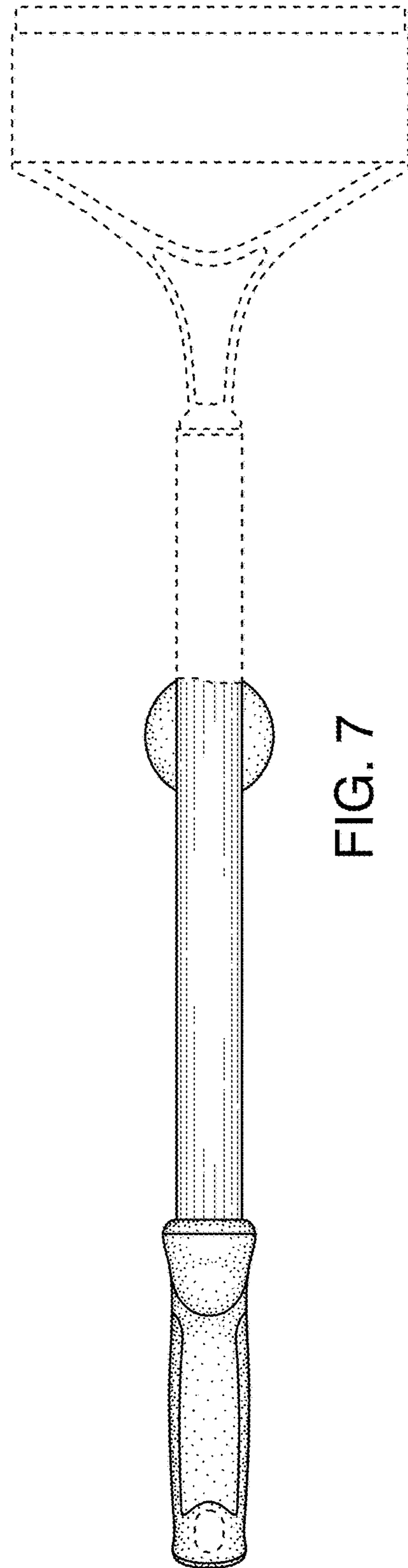


FIG. 7