



US00D861268S

(12) **United States Design Patent**
Meyer et al.

(10) **Patent No.:** **US D861,268 S**

(45) **Date of Patent:** **** Sep. 24, 2019**

(54) **VACUUM CLEANER**

(71) Applicant: **Alfred Kaercher SE & Co. KG,**
Winnenden (DE)

(72) Inventors: **Michael Meyer,** Schwaikheim (DE);
Alan Qian, Suzhou (CN)

(73) Assignee: **Alfred Kaercher SE & Co. KG,**
Winnenden (DE)

(**) Term: **15 Years**

(21) Appl. No.: **29/645,436**

(22) Filed: **Apr. 26, 2018**

(51) **LOC (12) Cl.** **15-05**

(52) **U.S. Cl.**
USPC **D32/22**

(58) **Field of Classification Search**
USPC D32/17-18, 22, 31, 34
CPC A47L 5/24; A47L 5/26; A47L 5/28; A47L
9/322; A47L 9/325; A47L 9/327; A47L
11/4075

See application file for complete search history.

(56) **References Cited**

U.S. PATENT DOCUMENTS

D280,033 S *	8/1985	Miyamoto	D32/18
D290,894 S *	7/1987	Miyamoto	D32/18
D348,548 S	7/1994	Pino		
D405,929 S	2/1999	Sovis et al.		
D426,356 S	6/2000	Tsuruha		
D507,387 S	7/2005	Jacobs		
D529,248 S	9/2006	McCulloch		
D529,673 S	10/2006	Dyson et al.		
D529,674 S	10/2006	Dyson et al.		
D532,169 S	11/2006	Dyson et al.		
D533,699 S	12/2006	Dyson et al.		
D553,814 S	10/2007	Parr et al.		
D562,510 S	2/2008	Hahn		
D596,360 S	7/2009	Dyson et al.		

D610,318 S	2/2010	Shin		
D635,728 S *	4/2011	Fjellman	D32/22
D652,589 S	1/2012	Lee		
D670,878 S	11/2012	Lee		
D695,980 S	12/2013	Thorne		
D728,878 S	5/2015	Johnson et al.		
D730,001 S	5/2015	Yun et al.		
D731,136 S	6/2015	Yun et al.		
D731,724 S	6/2015	Cheon et al.		
D735,426 S	7/2015	Yun et al.		
D738,584 S	9/2015	Niedzwecki		
D739,620 S	9/2015	Johnson		
D743,125 S *	11/2015	Lee	D32/22

(Continued)

OTHER PUBLICATIONS

Extract for catalog of Alfred Kaercher GmbH & Co. KG, "Programme 2012 Kaercher Professional", cover, pp. 164, 165 and last page (Nov. 2011).

(Continued)

Primary Examiner — Ruth McInroy

(74) *Attorney, Agent, or Firm* — Lipsitz & McAllister, LLC

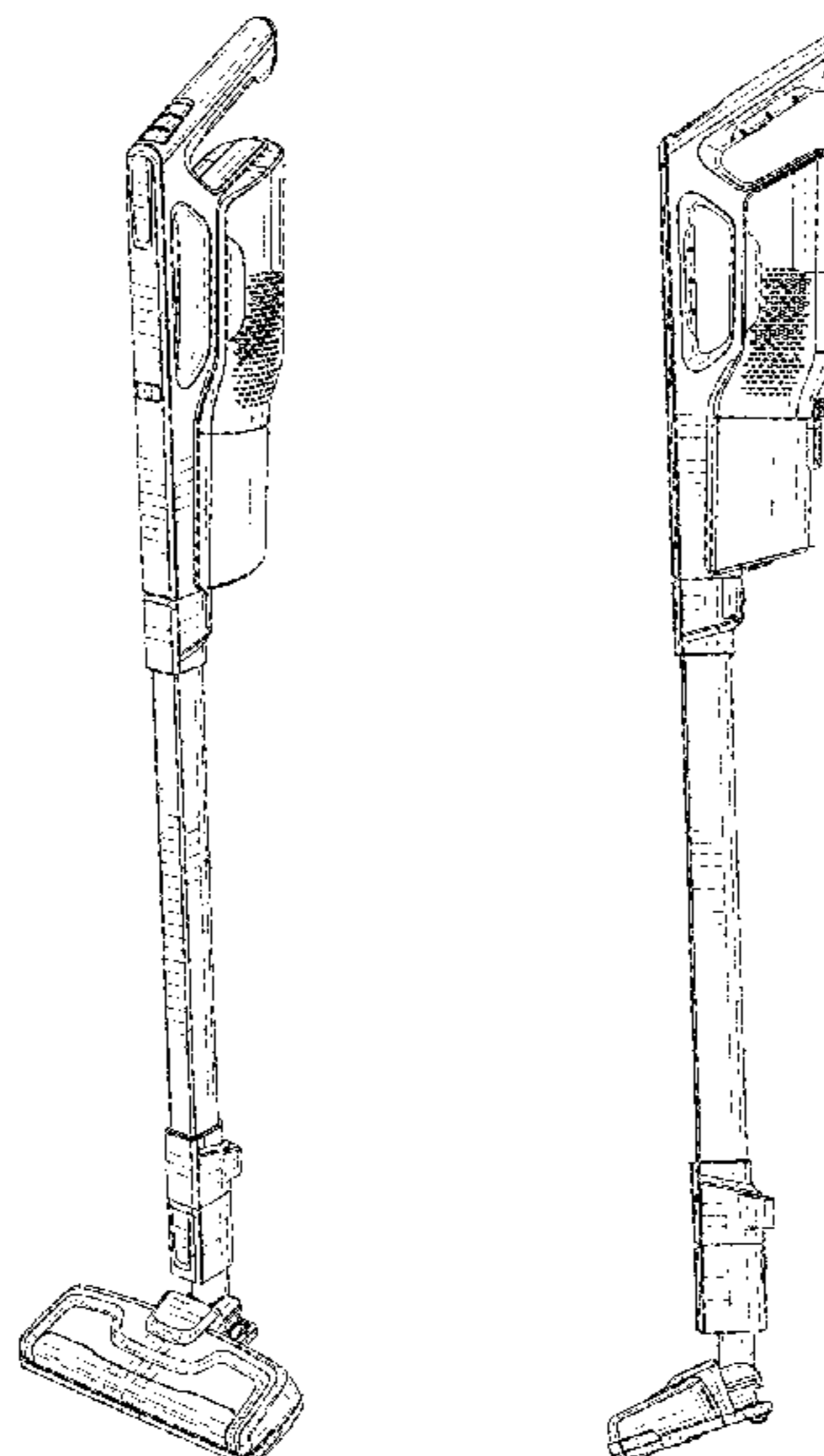
(57) **CLAIM**

The ornamental design for a vacuum cleaner, as shown and described.

DESCRIPTION

FIG. 1 is a front and left-side perspective view of a vacuum cleaner showing our new design; FIG. 2 is a rear and right side perspective view thereof; FIG. 3 is a front elevational view thereof; FIG. 4 is a left side elevational view thereof; FIG. 5 is a rear elevational view thereof; FIG. 6 is a right side elevational view thereof; FIG. 7 is a top plan view thereof; and, FIG. 8 is a bottom plan view thereof.

1 Claim, 8 Drawing Sheets



(56)

References Cited

U.S. PATENT DOCUMENTS

D751,261 S	3/2016	Thorne	
D769,556 S	10/2016	Kim et al.	
D769,557 S	10/2016	Johnson	
D770,106 S	10/2016	Johnson et al.	
D770,111 S	10/2016	Lee et al.	
D771,890 S	11/2016	Kim	
D772,510 S *	11/2016	Palladino	D32/31
D772,512 S *	11/2016	Yoon	D32/34
D774,260 S	12/2016	Manning	
D775,440 S	12/2016	Kwon et al.	
D775,772 S	1/2017	Lee et al.	
D789,633 S	6/2017	Meyer et al.	
D791,420 S	7/2017	Meyer et al.	
D792,040 S	7/2017	Meyer et al.	
9,883,781 B2 *	2/2018	Thorne	A47L 9/16
D819,282 S *	5/2018	Kim	D32/22
D827,232 S *	8/2018	Lim	D32/18
10,080,471 B2 *	9/2018	Reimer	A47L 5/225

OTHER PUBLICATIONS

Extract from catalog of Alfred Kaercher GmbH & Co. KG, "Programme 2011 Kaercher Professional (Commercial)", cover, pp. 120-134, 136, 138, 142, 148 and last page (Nov. 2010).
 Extract from catalog of Alfred Kaercher GmbH & Co. KG, "Programme 2011/2012 Kaercher Home and Garden (60 Hz)", cover, pp. 72-97 and last page (Aug. 2011).
 Extract from catalog of Alfred Kaercher GmbH & Co. KG, "Programme 2012 Kaercher Home and Garden", cover, pp. 72-81 and last page (Oct. 2011).

Extract from catalog of Alfred Kaercher GmbH & Co. KG, "Programme 2012 Kaercher Professional (Professional Industrial)", cover, pp. 108, 110, 111, 115-118 and last page (Nov. 2011).
 Extract from catalog of Alfred Kaercher GmbH & Co. KG, "Programme 2012 Kaercher Professional", cover, pp. 126-134, 136, 138, 140, 142, 144, 146, 148, 150, 151, 162, 164, 165 and last page (Nov. 2011).
 Extract from catalog of Alfred Kaercher GmbH & Co. KG, "Programme 2013 Kaercher Home and Garden", cover, pp. 70-86 and last page (Oct. 2012).
 Extract from catalog of Alfred Kaercher GmbH & Co. KG, "Programme 2013 Kaercher Professional", cover, pp. 238, 240-267 and last page (Nov. 2012).
 Extract from catalog of Alfred Kaercher GmbH & Co. KG, "Programme 2013/2014 Kaercher Professional (60 Hz)", cover, pp. 94-143 and last page (Aug. 2013).
 Extract from catalog of Alfred Kaercher GmbH & Co. KG, "Programme 2014 Kaercher Xpert", cover, pp. 3, 14, 15 and last page (Oct. 2013).
 Extract from catalog of Alfred Kaercher GmbH & Co. KG, "Programme 2014 Kaercher Home and Garden", cover, pp. 3, 58-73, 80-87 and last page (Oct. 2013).
 Extract from catalog of Alfred Kaercher GmbH & Co. KG, "Programme 2014 Professional", cover, pp. 13, 164-215, 244-255 and last page (Oct. 2013).
 Extract from catalog of Alfred Kaercher GmbH & Co. KG, "Programme 2015/2016 Home and Garden 60 Hz", cover, pp. 3, 58-87 and last page (Nov. 2014).
 Extract from catalog of Alfred Kaercher GmbH & Co. KG, "Programme 2015 Professional", cover, pp. 184-221, 244-265, 294-347, 356-361 and last page (Nov. 2014).

* cited by examiner

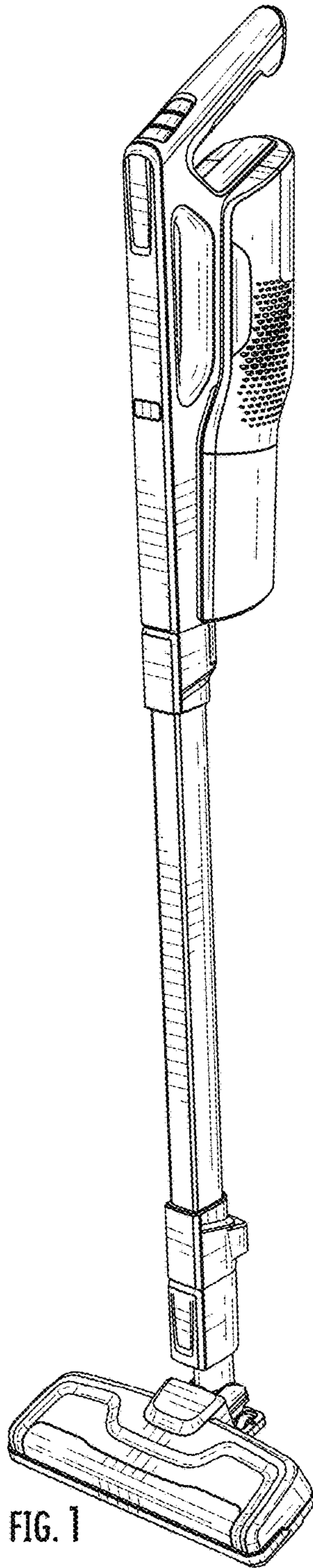


FIG. 1

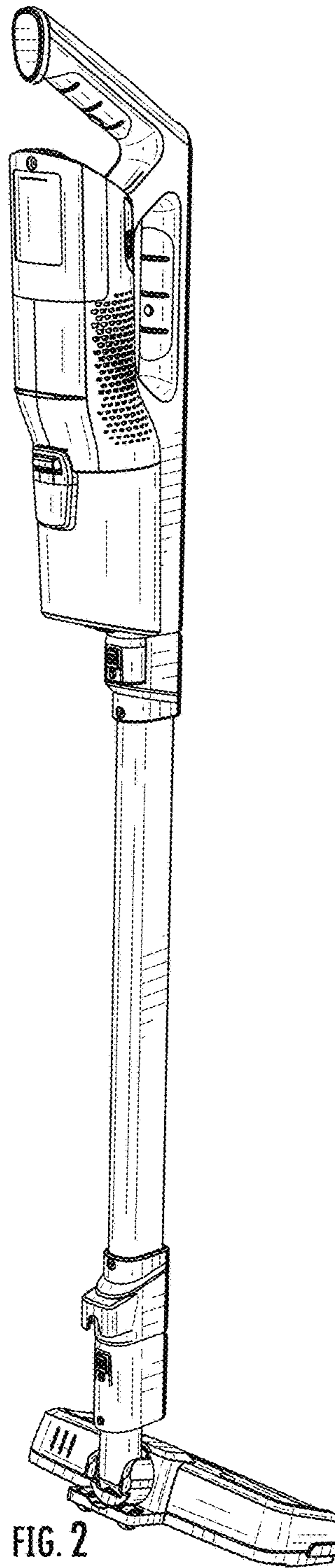


FIG. 2

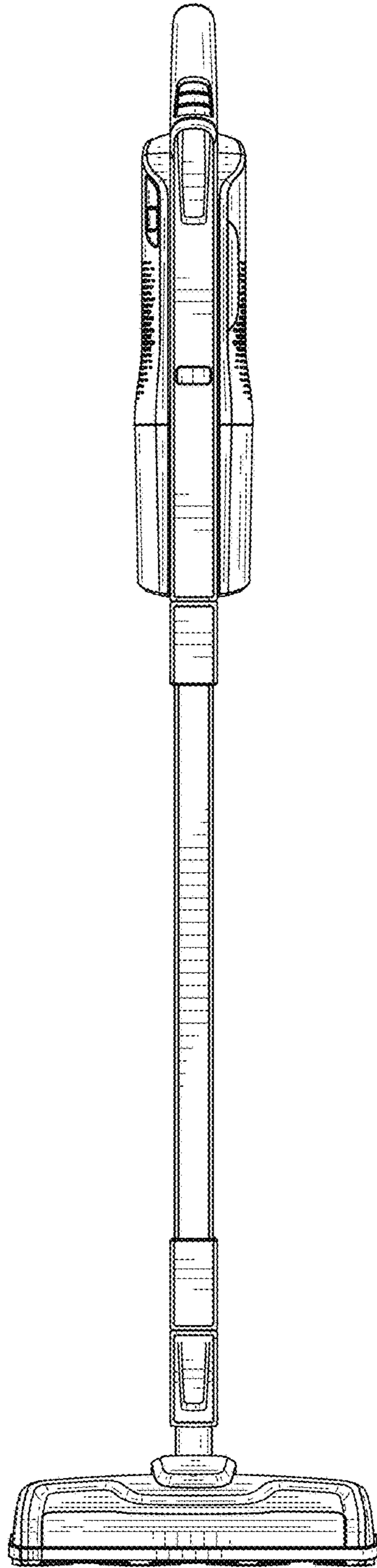


FIG. 3

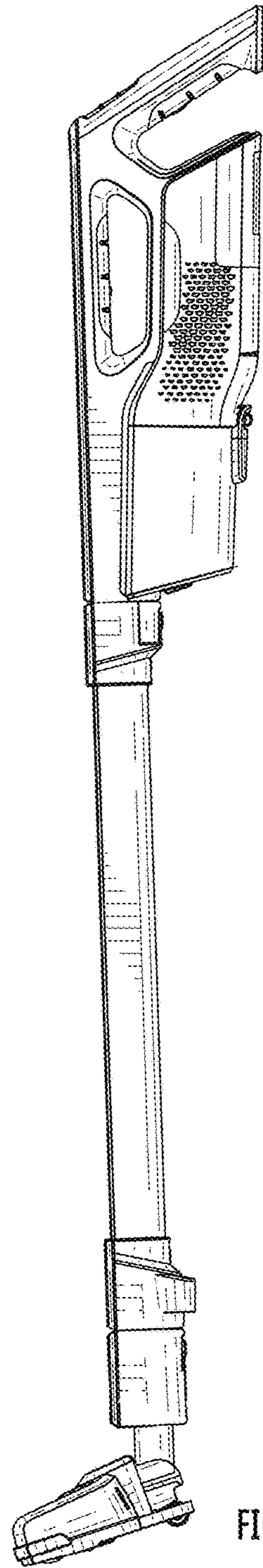


FIG. 4

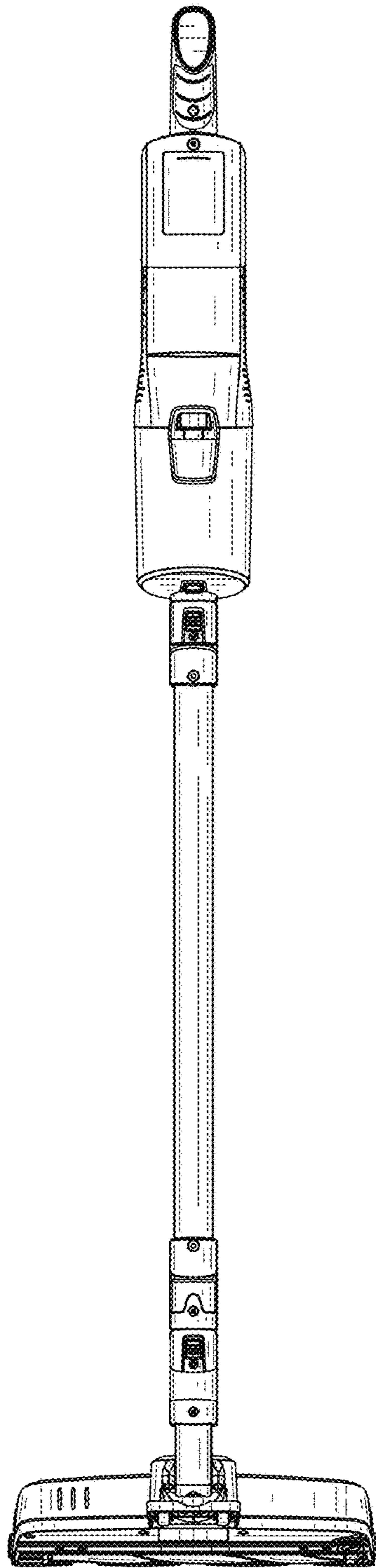


FIG. 5

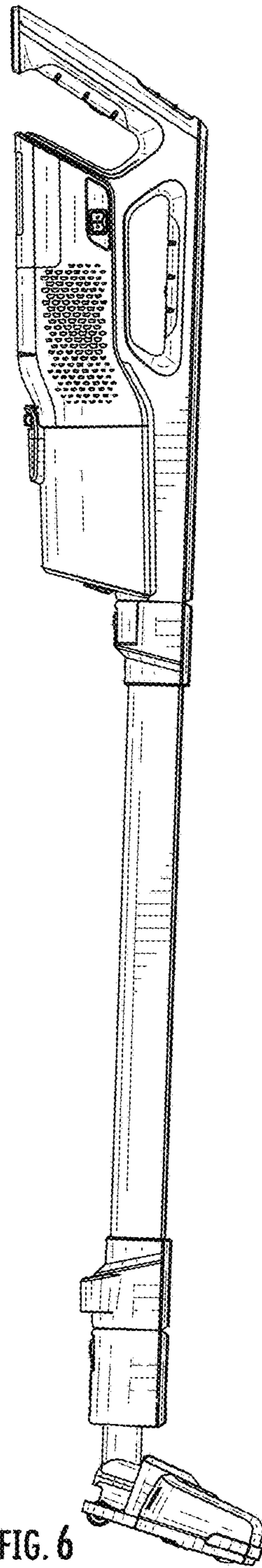


FIG. 6

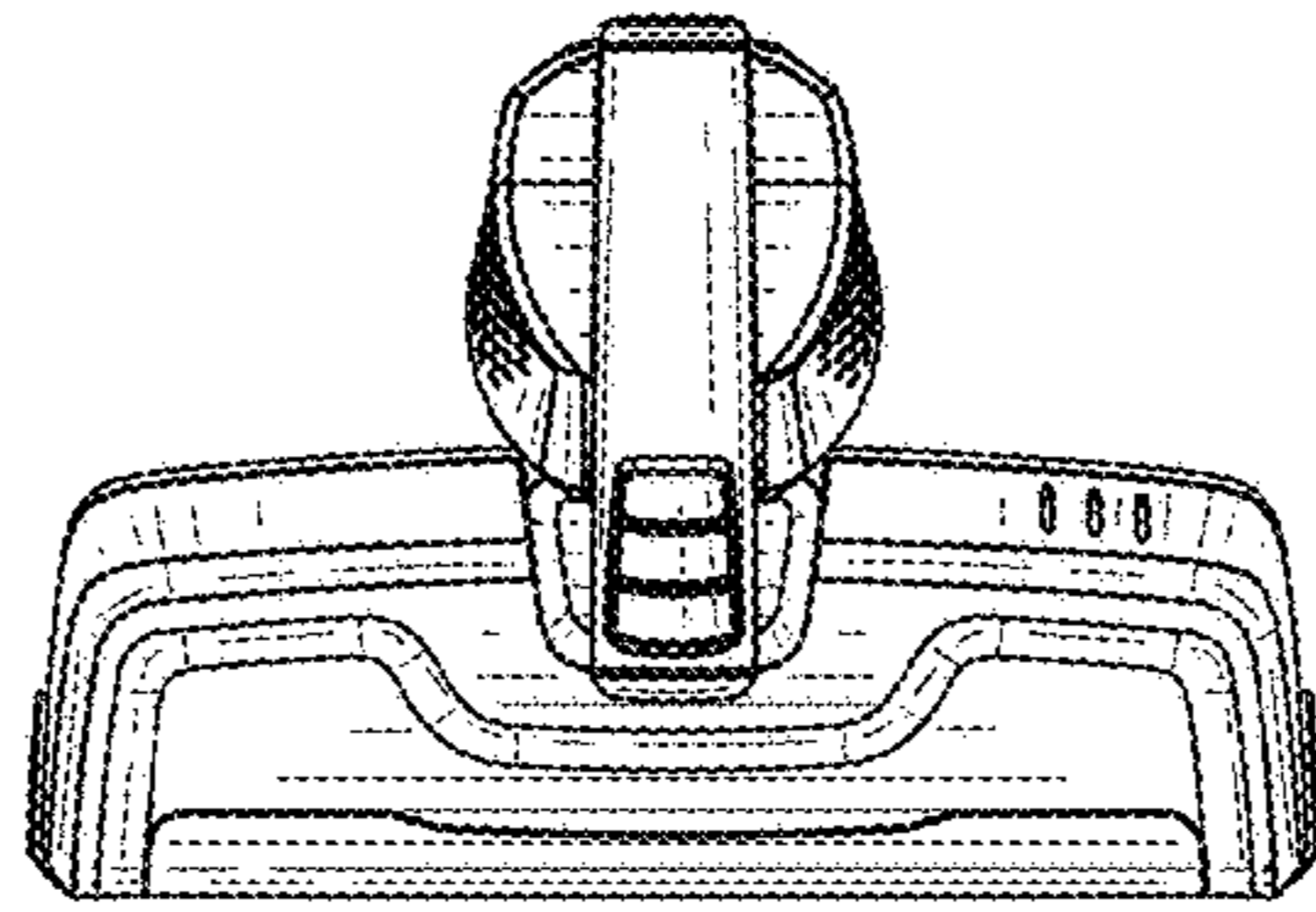


FIG. 7

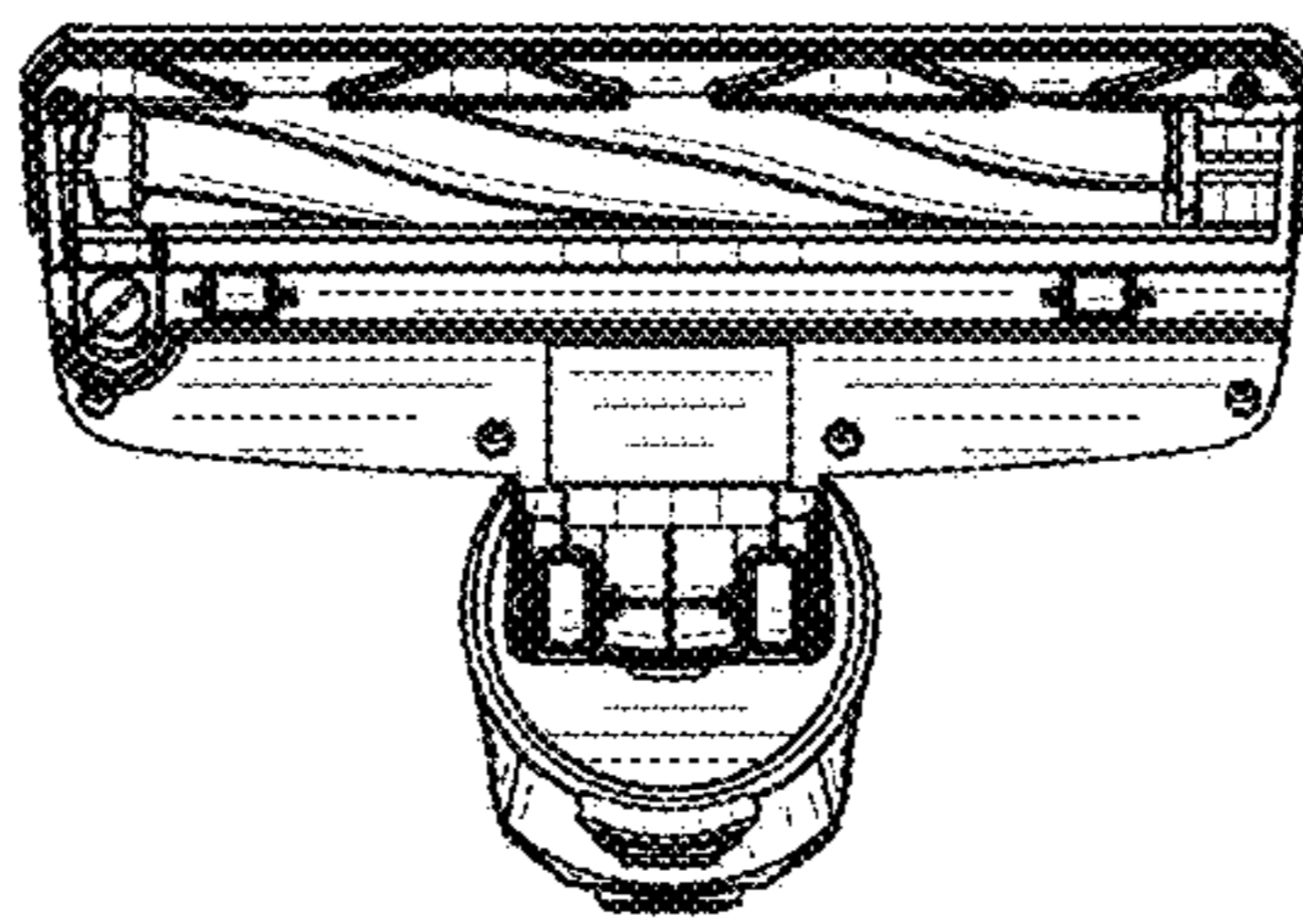


FIG. 8