



US00D861267S

(12) **United States Design Patent**
Chavana, Jr. et al.

(10) **Patent No.:** **US D861,267 S**

(45) **Date of Patent:** **** Sep. 24, 2019**

(54) **SURFACE CLEANING ATTACHMENT**

(71) Applicant: **Rug Doctor, LLC**, Plano, TX (US)

(72) Inventors: **Ernest Matthew Chavana, Jr.**, Villa Ridge, MO (US); **Richard Foster**, Powell, OH (US); **Stanley Anderson**, Fenton, MO (US); **Christopher Terpstra**, Frisco, TX (US); **Jan Valentic**, Plano, TX (US); **Xintao Ma**, Suzhou (CN)

(73) Assignee: **RUG DOCTOR, LLC**, Plano, TX (US)

(**) Term: **15 Years**

(21) Appl. No.: **29/625,434**

(22) Filed: **Nov. 9, 2017**

(51) **LOC (12) Cl.** **15-05**

(52) **U.S. Cl.**
USPC **D32/22**

(58) **Field of Classification Search**
USPC D32/17-18, 22, 31, 34
CPC A47L 5/24; A47L 5/26; A47L 5/28; A47L 9/322; A47L 9/325; A47L 9/327; A47L 11/4075
See application file for complete search history.

(56) **References Cited**

U.S. PATENT DOCUMENTS

D290,894 S *	7/1987	Miyamoto	D32/18
D635,728 S *	4/2011	Fjellman	D32/22
D653,825 S *	2/2012	Cho	D32/22
D668,010 S *	9/2012	Stickney	D32/18

D682,496 S *	5/2013	Bassett	D32/22
D731,130 S *	6/2015	Dyson	D32/18
D738,584 S *	9/2015	Niedzwecki	D32/18
D772,510 S *	11/2016	Palladino	D32/31
D774,260 S *	12/2016	Manning	D32/22
D775,772 S *	1/2017	Lee	D32/31
D792,667 S *	7/2017	Genoa	D32/22
D798,009 S *	9/2017	Salagnac	D32/18
D799,767 S *	10/2017	Palladino	D32/22
9,883,781 B2 *	2/2018	Thorne	A47L 9/16
D819,282 S *	5/2018	Kim	D32/22
D824,616 S *	7/2018	Ward	D32/22
10,080,471 B2 *	9/2018	Reimer	A47L 5/225
D830,016 S *	10/2018	Lim	D32/22

* cited by examiner

Primary Examiner — Ruth McInroy

(74) *Attorney, Agent, or Firm* — Hauptman Ham, LLP

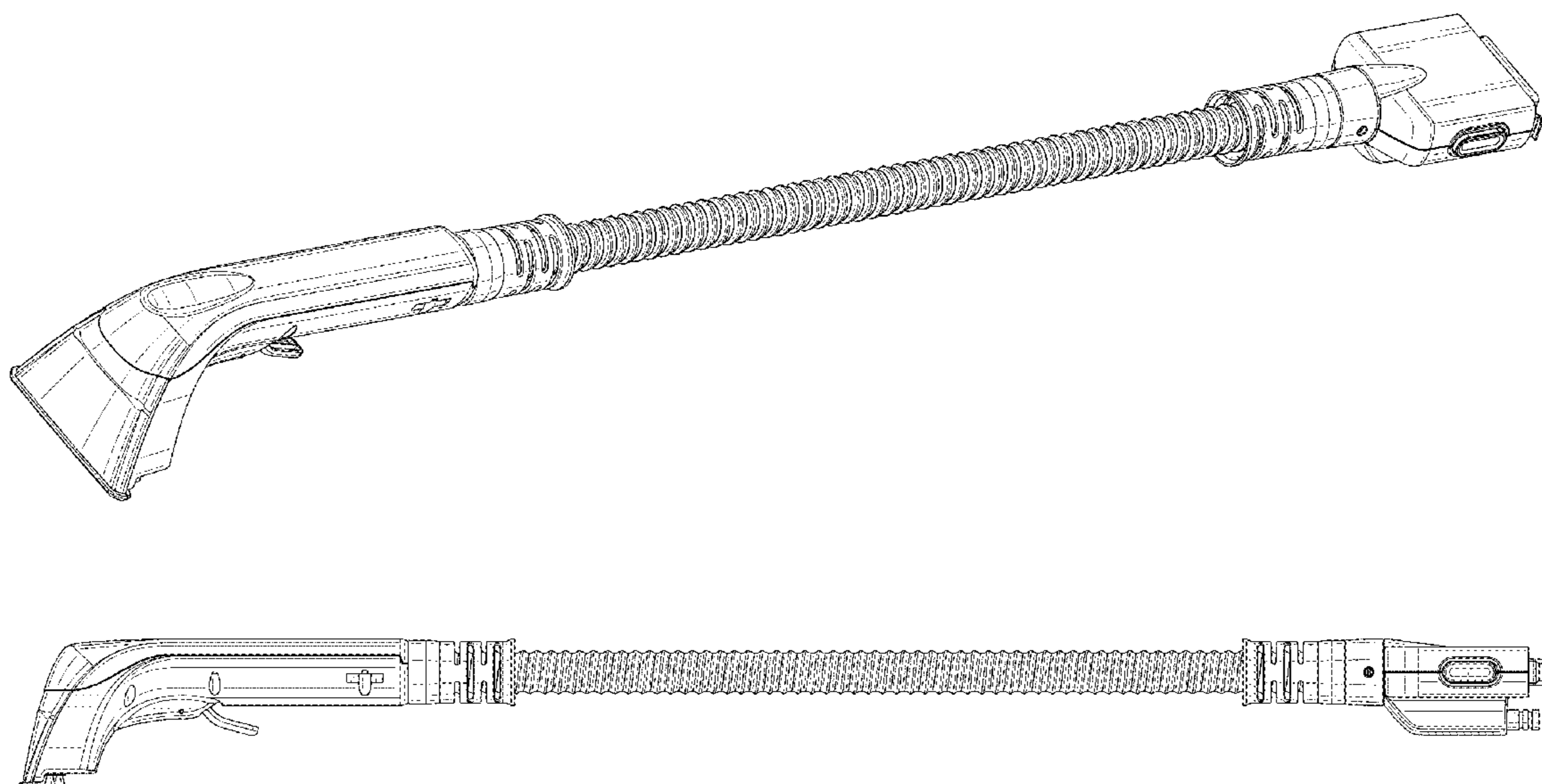
(57) **CLAIM**

The ornamental design for a surface cleaning attachment, as shown and described.

DESCRIPTION

FIG. 1 is a top-right side perspective view of a surface cleaning attachment showing our new design;
FIG. 2 is a top view thereof;
FIG. 3 is a bottom view thereof;
FIG. 4 is a front view thereof;
FIG. 5 is a rear view thereof;
FIG. 6 is a left side view thereof;
FIG. 7 is a right side view thereof; and,
FIG. 8 is a bottom-left side perspective view thereof.
The details shown in broken lines form no part of the claimed design.

1 Claim, 7 Drawing Sheets



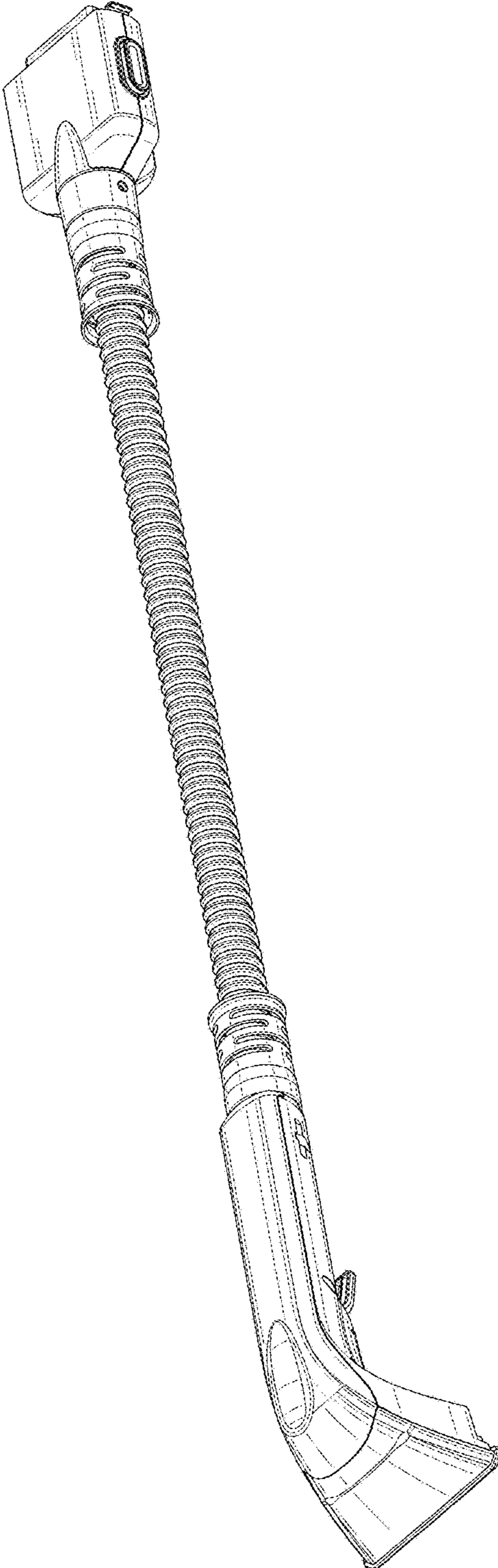


FIG. 1

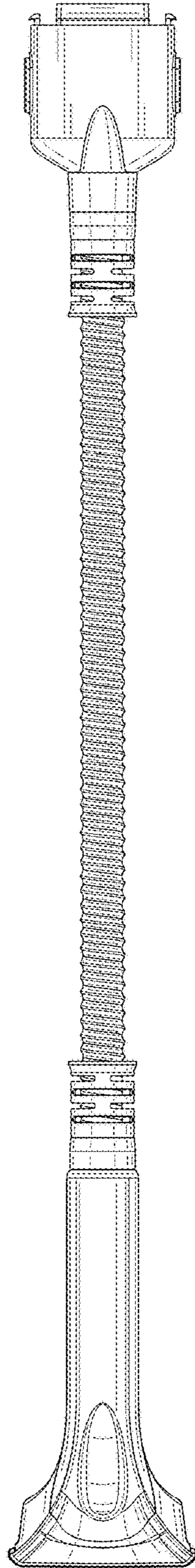


FIG. 2

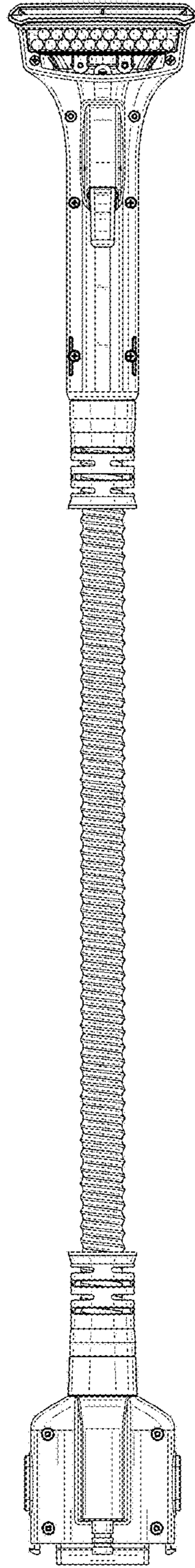


FIG. 3

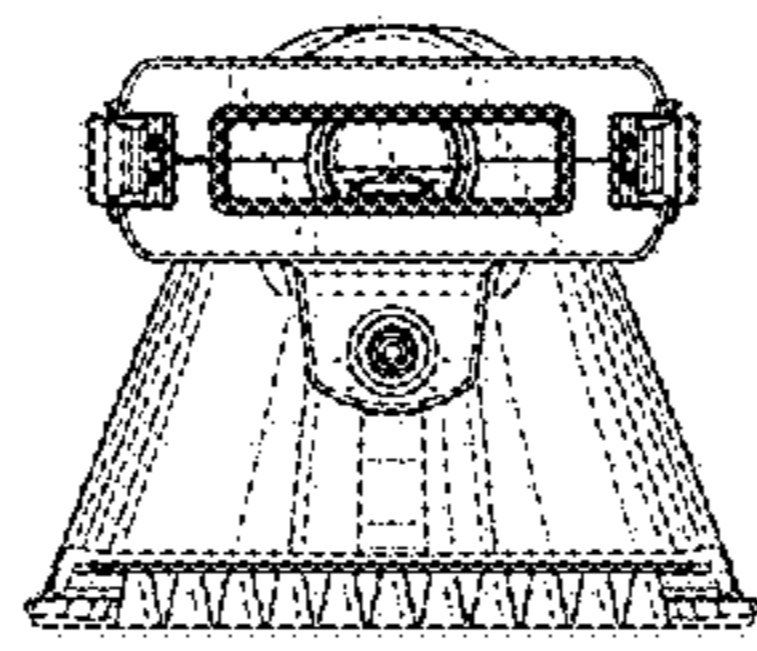


FIG. 5

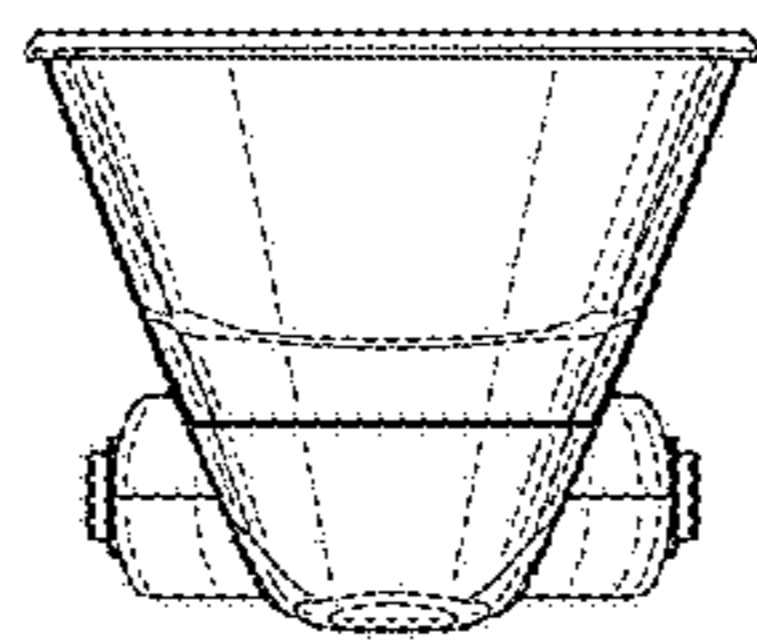


FIG. 4

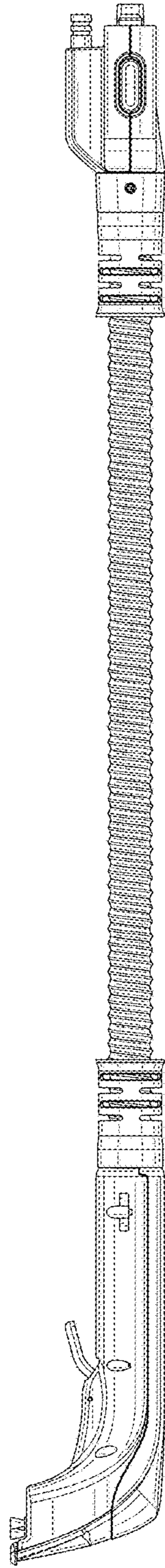


FIG. 6

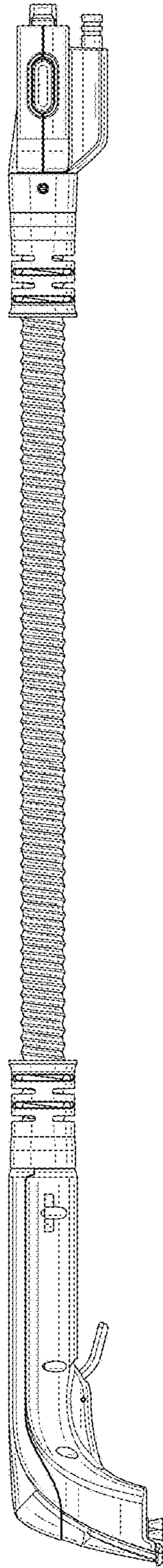


FIG. 7

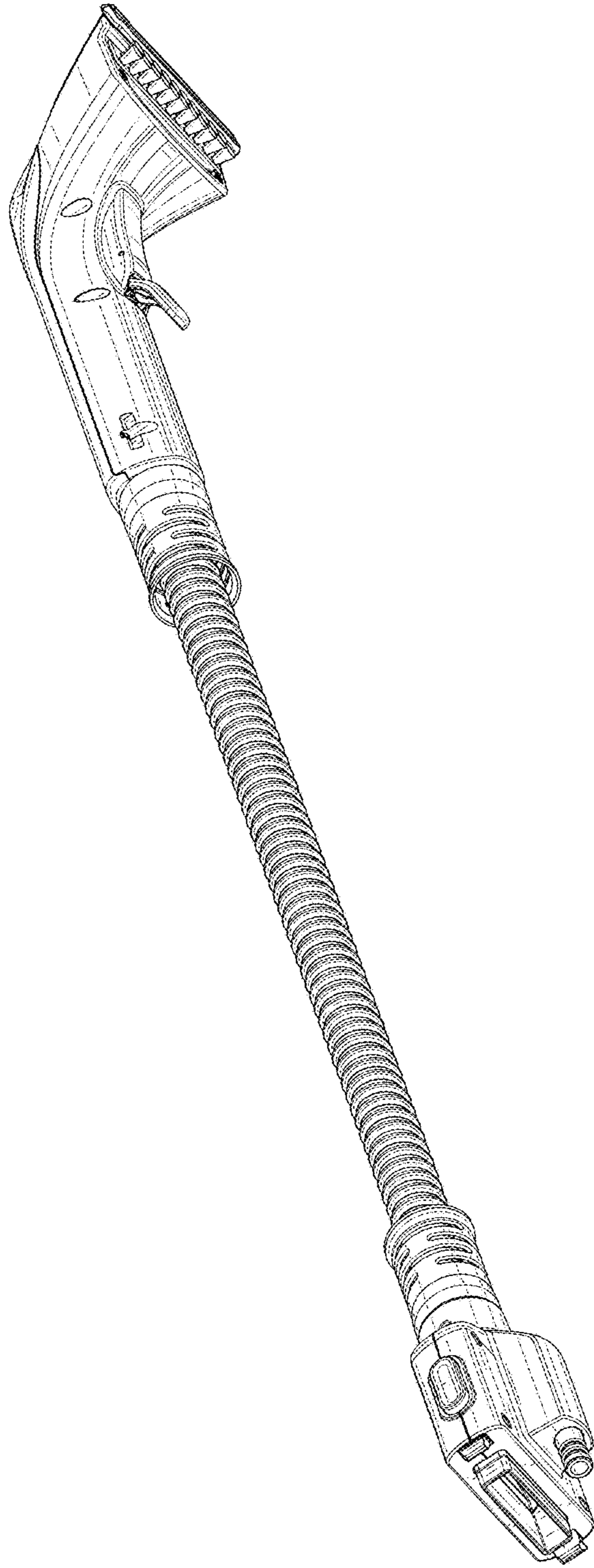


FIG. 8