



US00D861266S

(12) **United States Design Patent**
D'Souza et al.

(10) **Patent No.:** **US D861,266 S**
(45) **Date of Patent:** **** Sep. 24, 2019**

- (54) **CLEANING ROBOT**
- (71) Applicant: **Altan Robotech Inc.**, Mississauga (CA)
- (72) Inventors: **David D'Souza**, Brampton (CA); **Mina Bassalious**, Brampton (CA); **Hao Li**, North York (CA)
- (73) Assignee: **Altan Robotech Inc.**, Mississauga, Ontario (CA)
- (**) Term: **15 Years**
- (21) Appl. No.: **29/657,140**
- (22) Filed: **Jul. 19, 2018**

Related U.S. Application Data

- (62) Division of application No. 29/614,266, filed on Aug. 17, 2017, now Pat. No. Des. 838,069.
- (51) **LOC (12) Cl.** **15-05**
- (52) **U.S. Cl.**
USPC **D32/21**
- (58) **Field of Classification Search**
USPC D32/21, 31; D13/108-109; 15/319
CPC E04H 4/1654; A47L 2201/00; A47L 2201/02; A47L 2201/04; A47L 2201/06; A47L 9/0461; A47L 9/2805; B25J 9/1694; E03D 9/002; B08B 1/002; B08B 1/04; B08B 9/077
See application file for complete search history.

(56) **References Cited**

U.S. PATENT DOCUMENTS

4,713,845 A	12/1987	Bono
4,734,942 A	4/1988	Blanchard
5,806,105 A	9/1998	Yu
6,289,526 B1	9/2001	Chang
6,772,451 B2	8/2004	Pellati
D548,902 S	8/2007	Chun et al.
8,117,682 B1	2/2012	Bowden

8,136,171 B2	3/2012	Huang	
D658,830 S *	5/2012	Kamnar D32/21
D665,547 S	8/2012	Nam et al.	
D669,235 S	10/2012	Bassett et al.	
D670,877 S	11/2012	Geringer et al.	
D690,478 S	9/2013	Li et al.	
D703,397 S	4/2014	Sungkyung et al.	
D713,609 S *	9/2014	Shin D32/21

(Continued)

FOREIGN PATENT DOCUMENTS

CN	106400917 A	2/2017
DE	296 17 815 U1	1/1997

(Continued)

OTHER PUBLICATIONS

Extended European Search Report dated Oct. 17, 2018 in related EP Patent Application No. 18166055.6.

Primary Examiner — Ruth McInroy

(74) *Attorney, Agent, or Firm* — Bereskin & Parr LLP/S.E.N.C.R.L., s.r.l.; Isis E. Caulder; Nicholas Aitken

(57) **CLAIM**

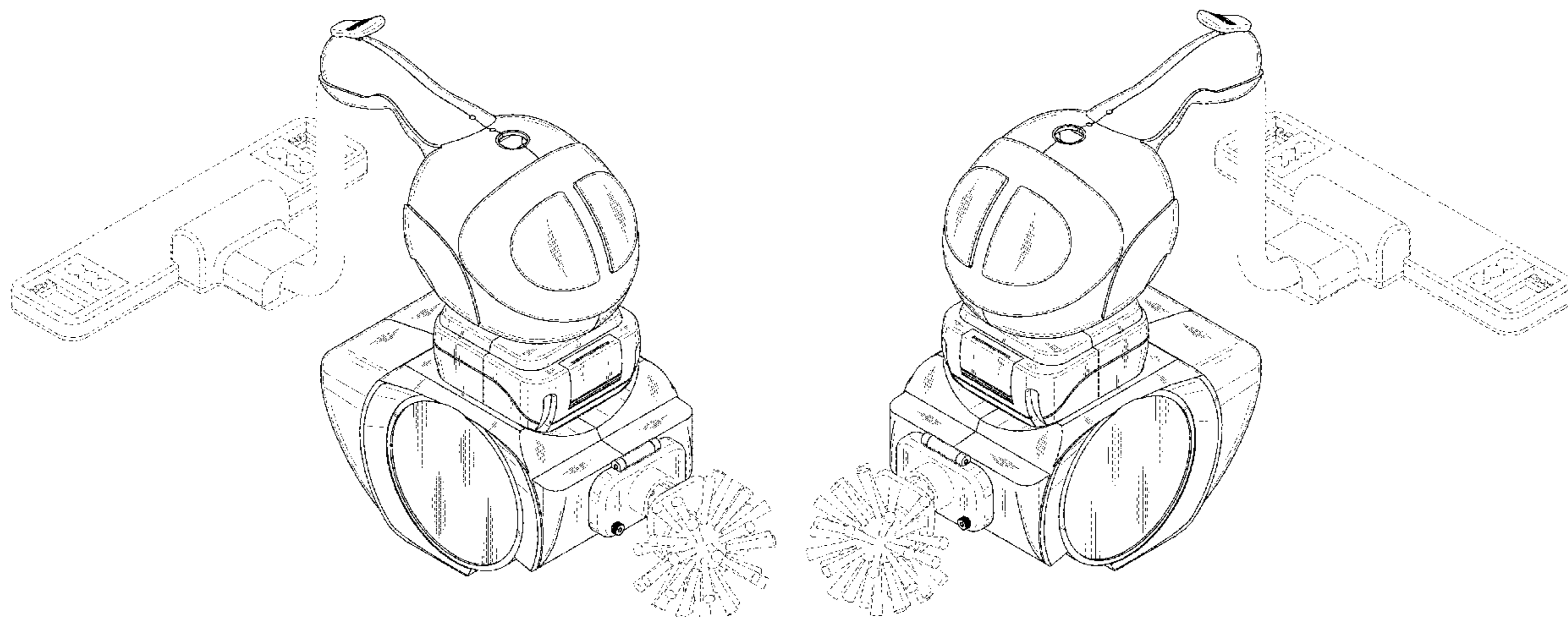
The ornamental design for a cleaning robot, as shown and described.

DESCRIPTION

FIG. 1 is a right side perspective view of a cleaning robot showing our new design; FIG. 2 is a left side perspective view thereof; FIG. 3 is a right side elevation view thereof; FIG. 4 is a front elevation view thereof; FIG. 5 is a left side elevation view thereof; FIG. 6 is a rear elevation view thereof; and, FIG. 7 is a top plan view thereof.

The broken line portions are included to show unclaimed subject matter only and form no part of the claimed design.

1 Claim, 7 Drawing Sheets



(56)

References Cited

U.S. PATENT DOCUMENTS

D714,002 S 9/2014 Casini
D714,003 S 9/2014 Casini
D715,504 S 10/2014 Deoksang et al.
8,898,854 B2 12/2014 Tso et al.
D751,260 S 3/2016 Kim et al.
9,297,155 B2 * 3/2016 Ralea E03D 9/00
9,339,158 B2 5/2016 Dorra
D771,884 S 11/2016 Ninomiya
9,644,358 B2 5/2017 Qualls et al.
9,834,919 B1 * 12/2017 Shabat A47K 11/10
9,931,007 B2 4/2018 Morin et al.
D838,069 S * 1/2019 D'Souza D32/31
D840,618 S * 2/2019 Kim D32/21
2009/0044322 A1 2/2009 Nunez et al.
2014/0137357 A1 5/2014 Ralea
2016/0059269 A1 3/2016 Rounding
2016/0158942 A1 6/2016 Augenbraun et al.

FOREIGN PATENT DOCUMENTS

DE 20 2012 002 839 U1 8/2013
EP 2910695 A1 8/2015
EP 2 951 362 B1 12/2016
FR 2 809 121 A1 11/2001
JP 2003-125979 A 5/2003
WO 2016/203475 A1 12/2016

* cited by examiner

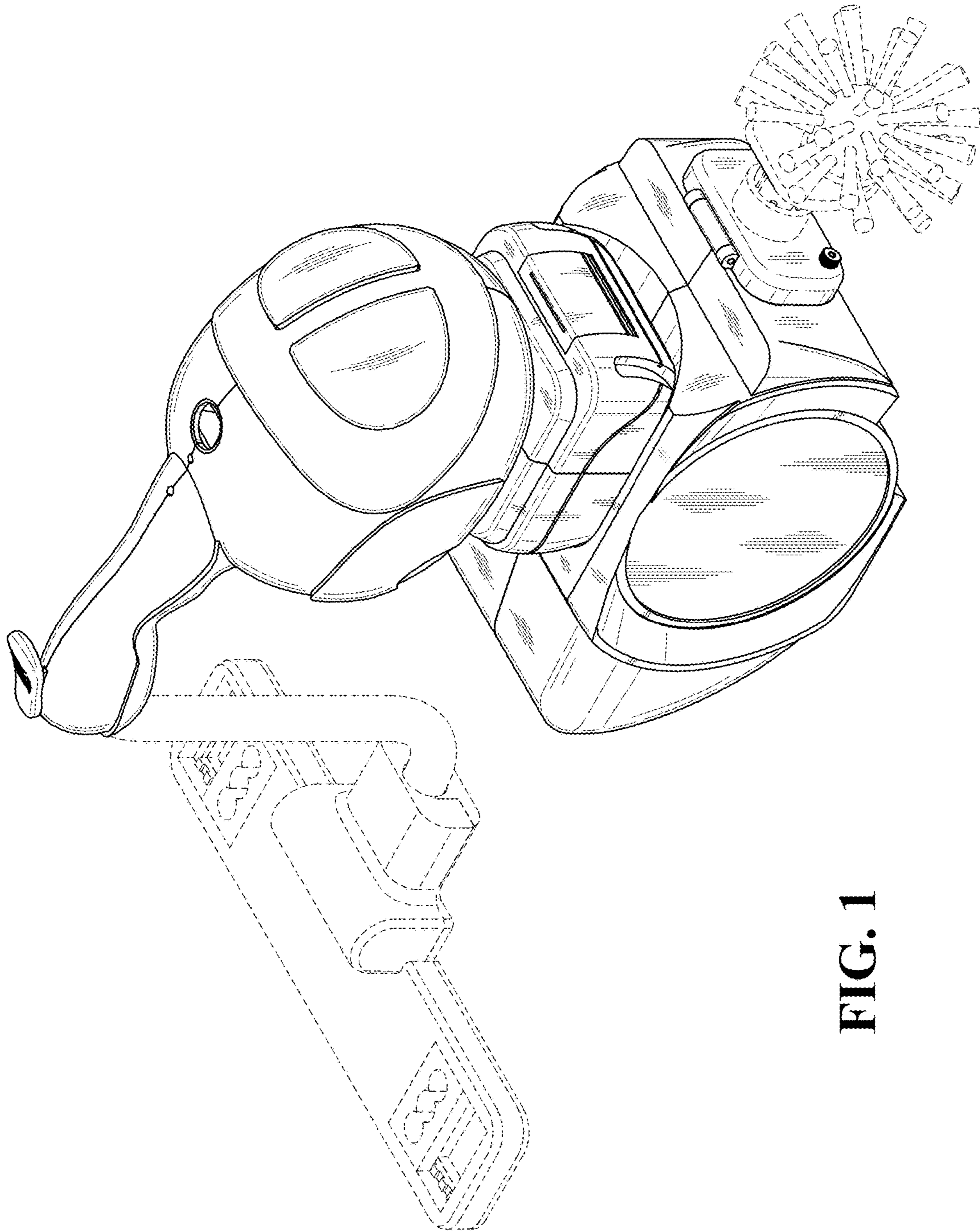


FIG. 1

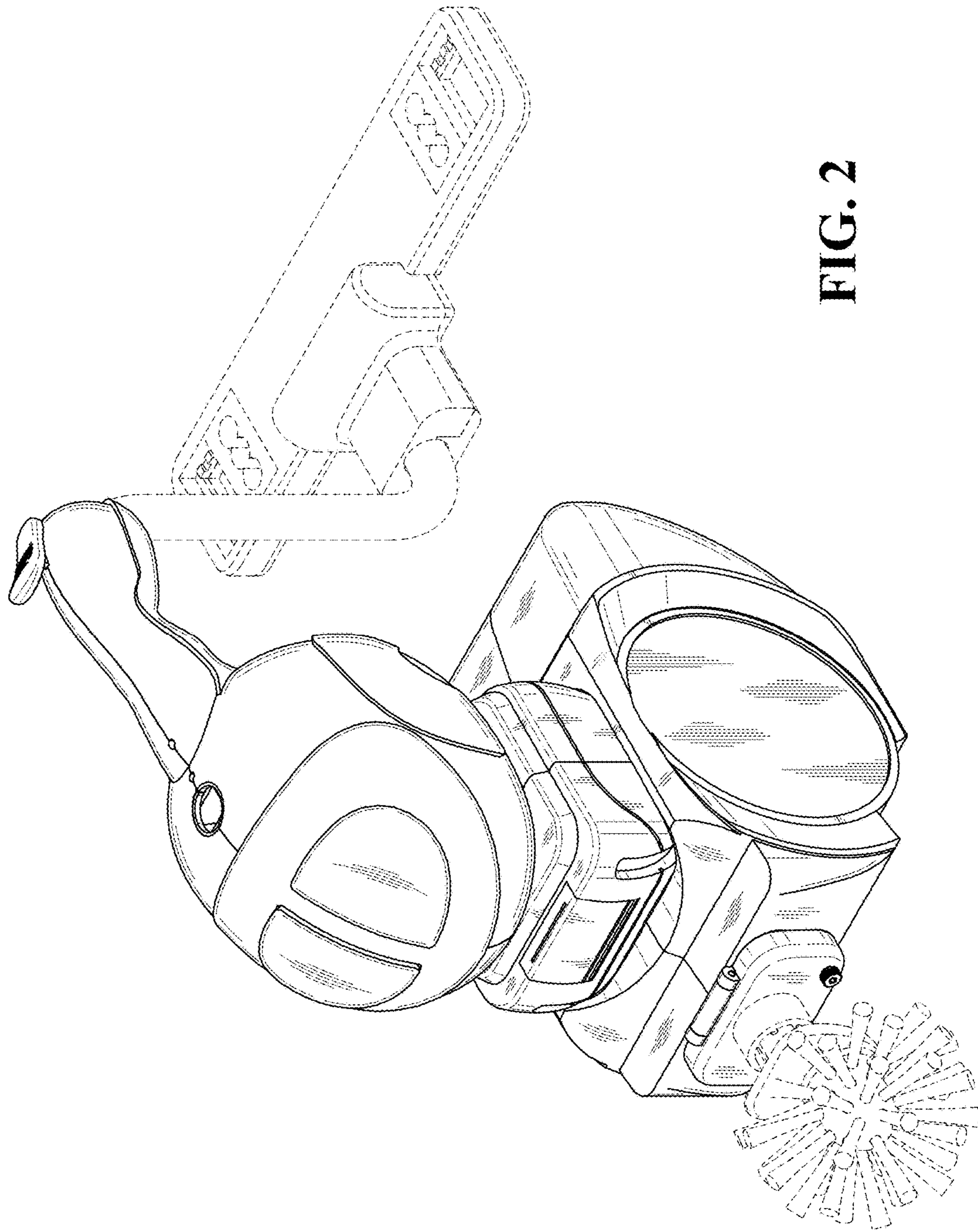


FIG. 2

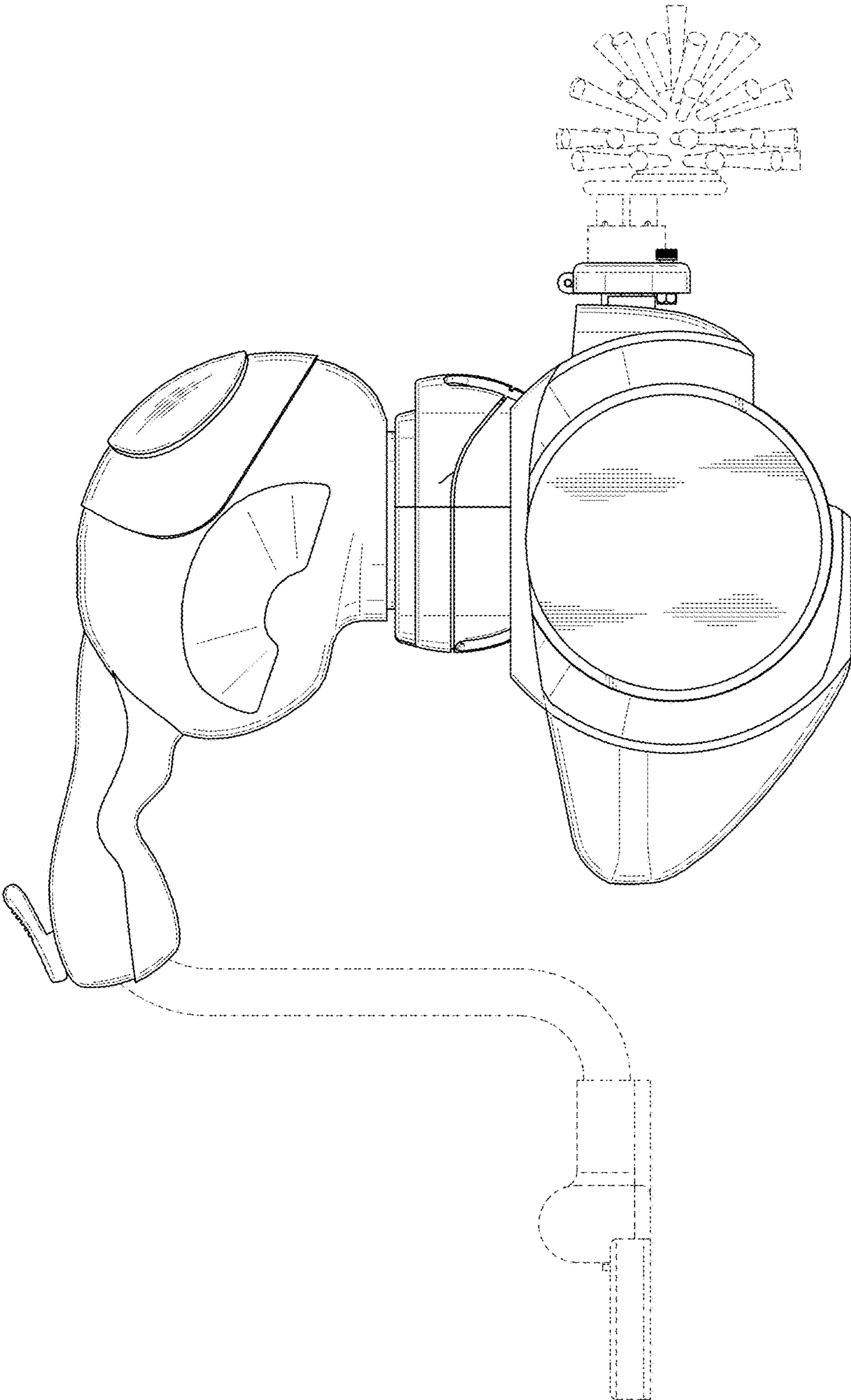


FIG. 3

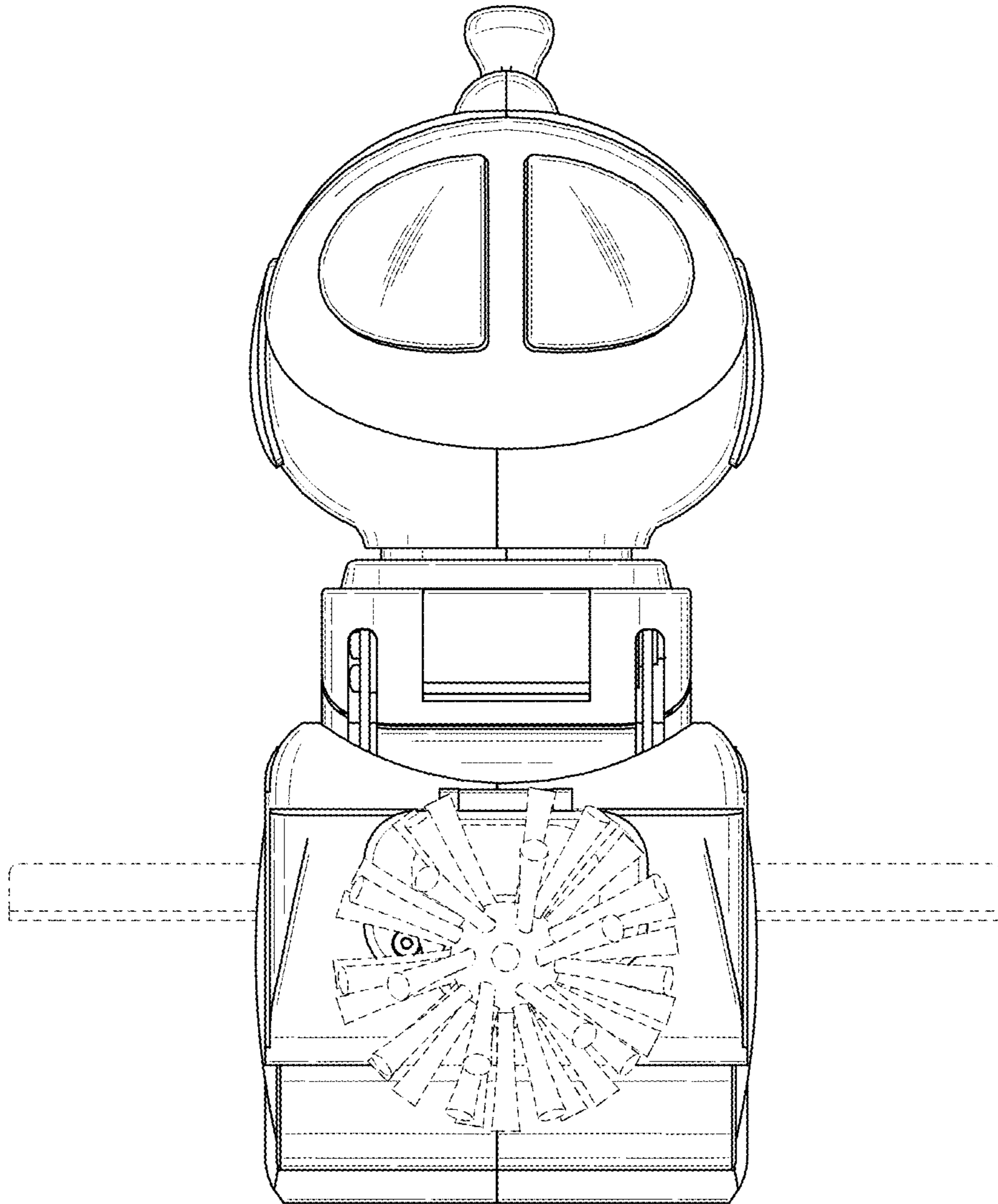


FIG. 4

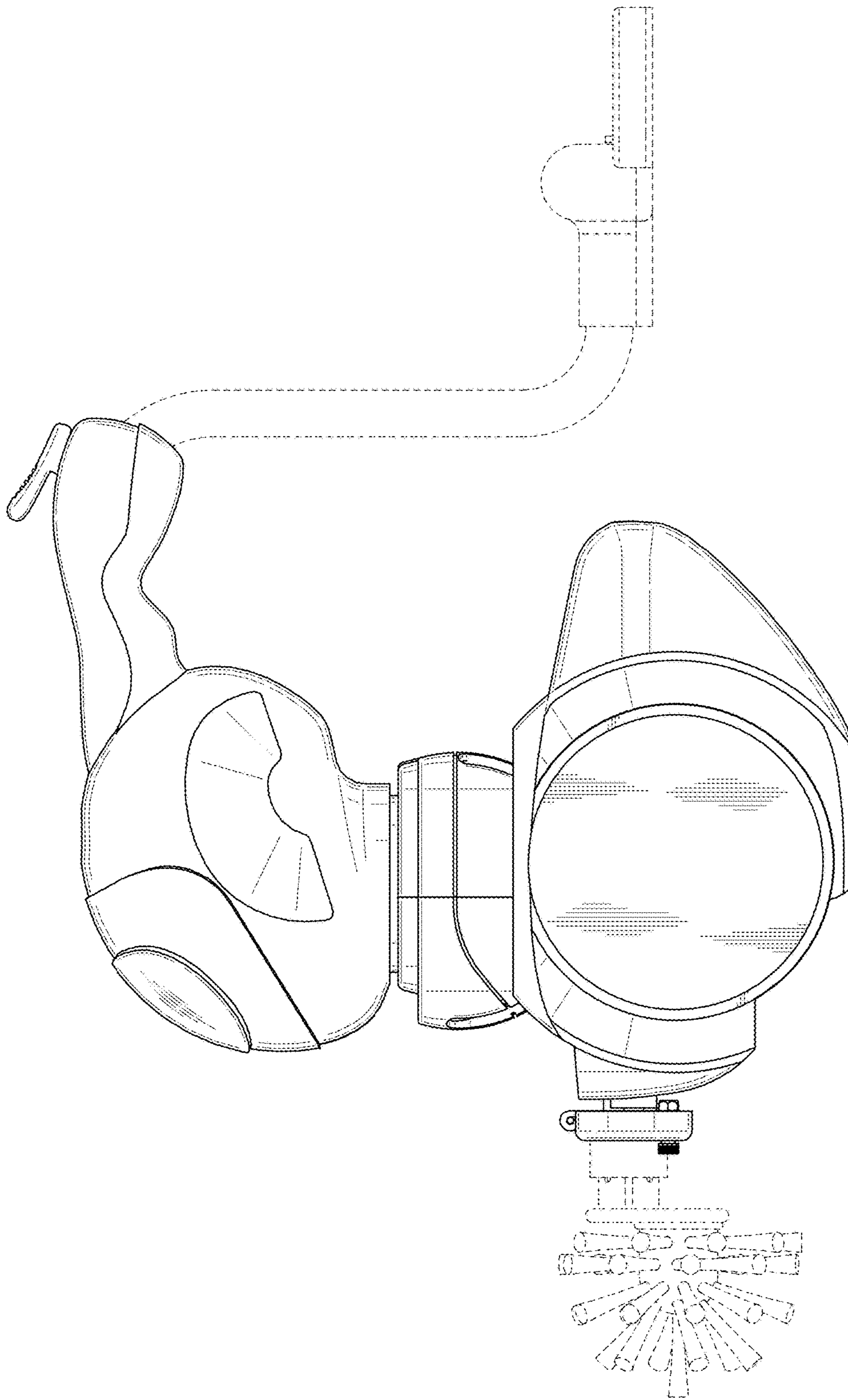


FIG. 5

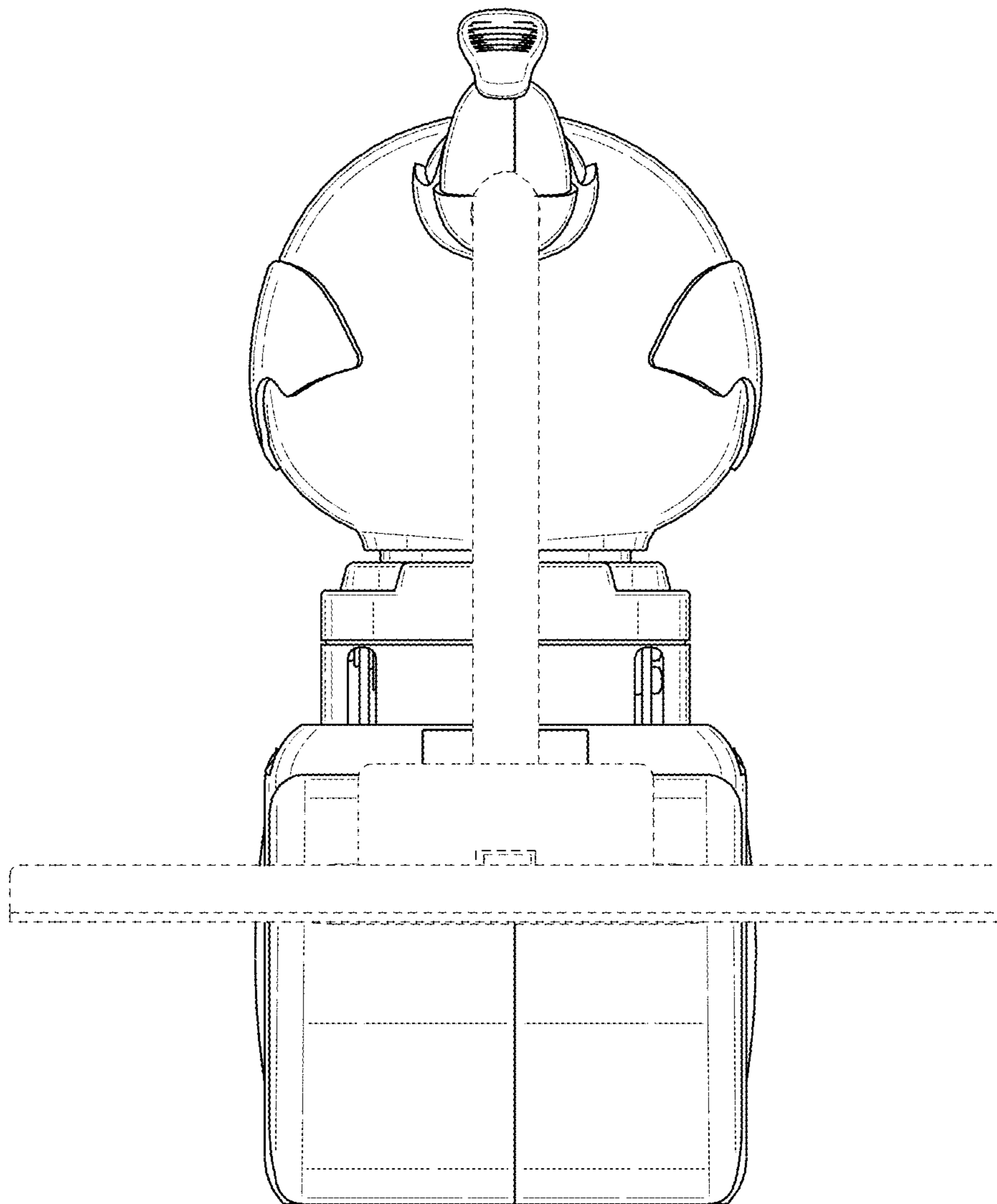


FIG. 6

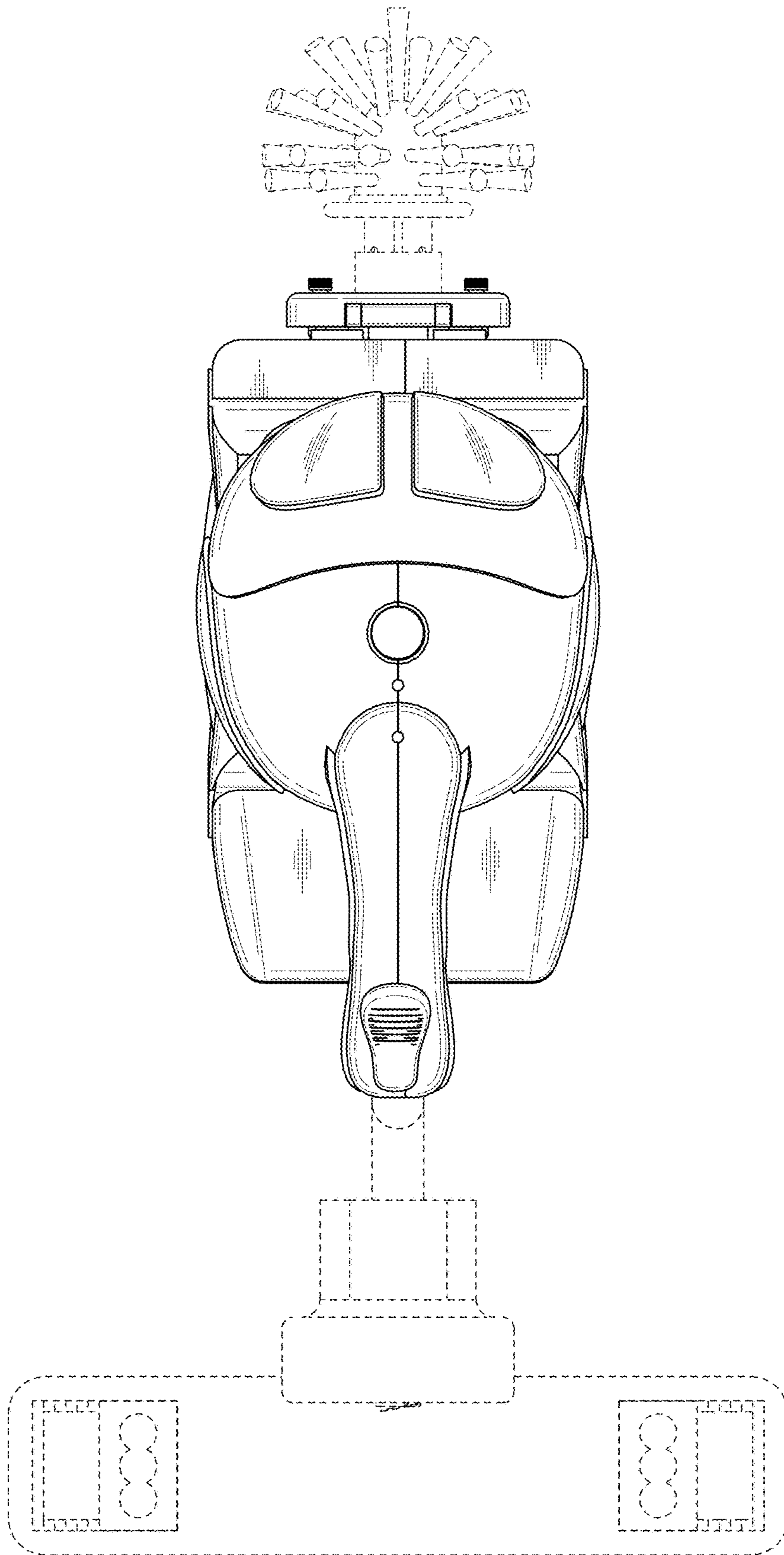


FIG. 7