



US00D861265S

(12) **United States Design Patent**  
**Gammack et al.**

(10) **Patent No.:** **US D861,265 S**  
(45) **Date of Patent:** **\*\* Sep. 24, 2019**

(54) **VACUUM CLEANER**

(71) Applicant: **Dyson Technology Limited**, Wiltshire (GB)

(72) Inventors: **Peter David Gammack**, Gloucester (GB); **Stephen Robert Dimbylow**, Swindon (GB); **Robert Hinchliffe**, Bristol (GB); **Jeremy William Crouch**, Swindon (GB); **Alexander Patrick Webster**, Bristol (GB); **Charles Franklin Gale**, Bristol (GB); **Alexander Michael Campbell-Hill**, Wotton-Under-Edge (GB)

(73) Assignee: **Dyson Technology Limited**, Malmesbury, Wiltshire (GB)

(\*\*) Term: **15 Years**

(21) Appl. No.: **29/617,739**

(22) Filed: **Sep. 15, 2017**

(30) **Foreign Application Priority Data**

Mar. 16, 2017 (GB) ..... 6009141

(51) **LOC (12) Cl.** ..... **15-05**

(52) **U.S. Cl.**  
USPC ..... **D32/18**

(58) **Field of Classification Search**  
USPC ..... D32/17-18, 22, 31, 34  
CPC ..... A47L 5/24; A47L 5/06; A47L 5/28; A47L 9/127; A47L 9/1683; A47L 9/16; A47L 9/1608; A47L 9/322

See application file for complete search history.

(56) **References Cited**

**U.S. PATENT DOCUMENTS**

8,156,609 B2 4/2012 Milne et al.  
D668,010 S \* 9/2012 Stickney ..... D32/18

D668,823 S 10/2012 Stickney et al.  
8,302,250 B2 11/2012 Dyson et al.  
8,397,344 B2 3/2013 Liddell  
D708,803 S 7/2014 Dyson et al.  
8,925,145 B2 \* 1/2015 Wilson ..... A47L 5/24  
15/347  
D731,130 S \* 6/2015 Dyson ..... D32/18  
D731,133 S \* 6/2015 Dyson ..... D32/31

(Continued)

**FOREIGN PATENT DOCUMENTS**

EM 001361141-0001 12/2013  
EM 001361141-0003 12/2013

(Continued)

**OTHER PUBLICATIONS**

Gammack et al., U.S. Office Action dated Aug. 24, 2018, directed to U.S. Appl. No. 29/617,663; 8 pages.

(Continued)

*Primary Examiner* — Ruth McInroy

(74) *Attorney, Agent, or Firm* — Morrison & Foerster LLP

(57) **CLAIM**

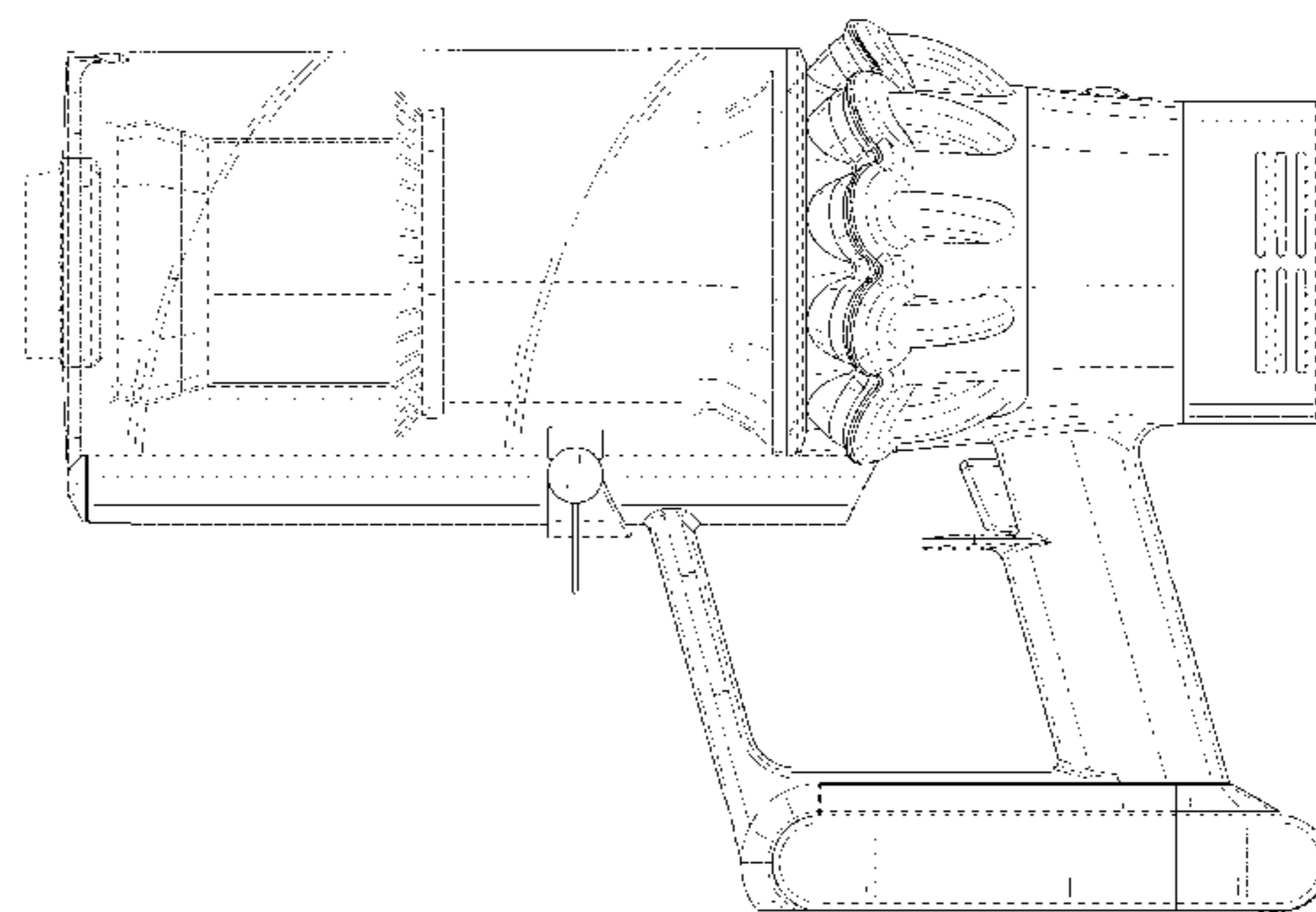
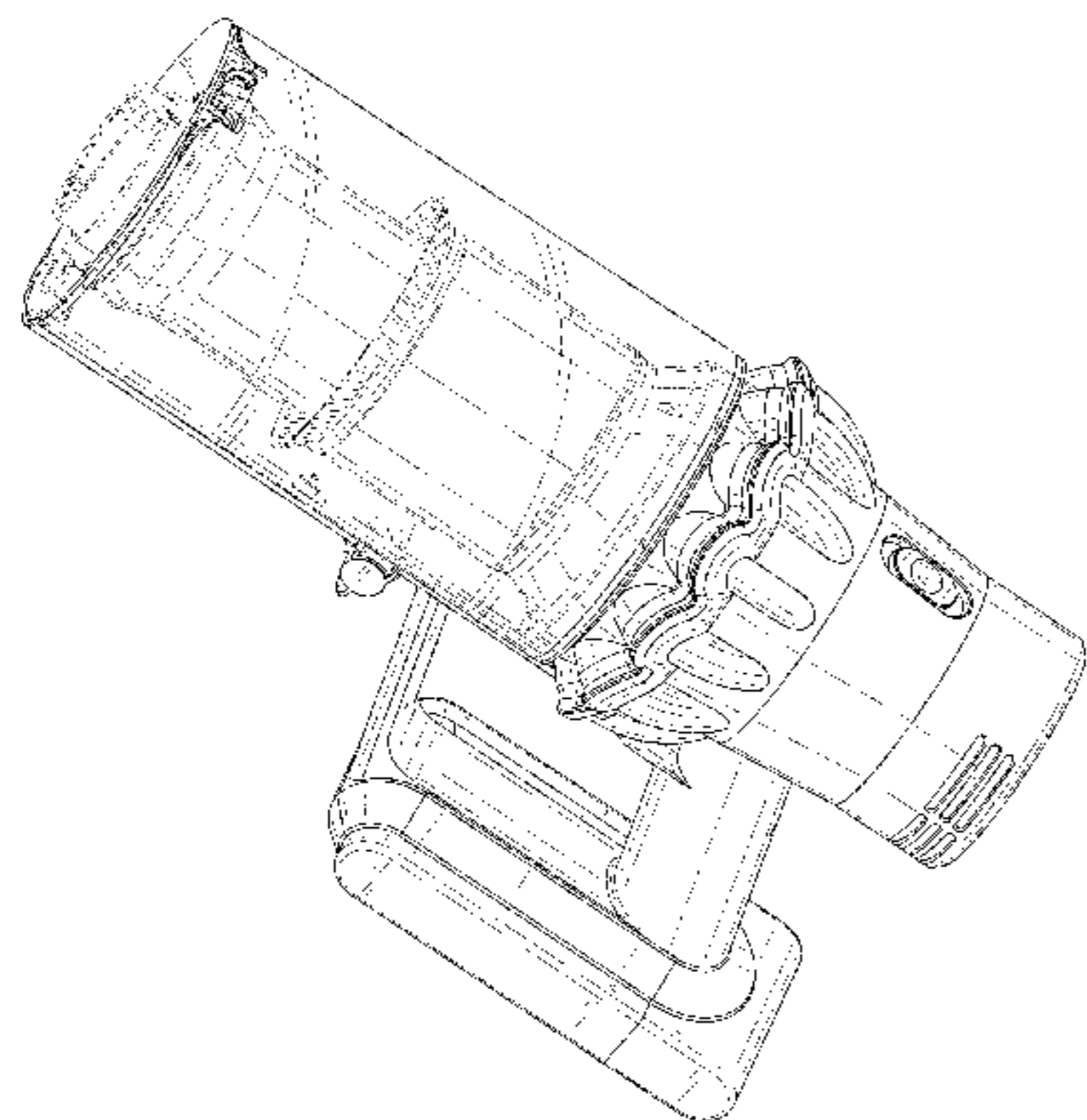
We claim the ornamental design for a vacuum cleaner, as shown and described.

**DESCRIPTION**

FIG. 1 is a perspective view of a vacuum cleaner showing our new design;  
FIG. 2 is a side view thereof;  
FIG. 3 is a side view of the opposite side of FIG. 2;  
FIG. 4 is a front view thereof;  
FIG. 5 is a rear view thereof;  
FIG. 6 is a top view thereof; and,  
FIG. 7 is a bottom view thereof.

The broken lines shown in the drawings illustrate portions of a vacuum cleaner that form no part of the claimed design.

**1 Claim, 7 Drawing Sheets**



(56)

**References Cited**

U.S. PATENT DOCUMENTS

D731,134	S *	6/2015	Dyson .....	D32/31
D731,720	S	6/2015	Gidwell et al.	
D741,558	S	10/2015	Kerr	
D747,571	S *	1/2016	Dyson .....	D32/18
D747,572	S *	1/2016	Kerr .....	D32/18
9,451,858	B2 *	9/2016	Stickney .....	A47L 5/24
D792,665	S	7/2017	Salagnac	
9,788,697	B2 *	10/2017	Peace .....	A47L 9/165
D813,475	S	3/2018	Lee et al.	
D821,044	S	6/2018	Cao et al.	
9,986,880	B2	6/2018	Conrad	
D826,493	S	8/2018	Nam et al.	
2009/0307863	A1	12/2009	Milne et al.	

FOREIGN PATENT DOCUMENTS

EM	001361141-0009	12/2013
JP	D1528476	7/2015
JP	D1541956	1/2016

OTHER PUBLICATIONS

Gammack et al., U.S. Office Action dated Aug. 24, 2018, directed to U.S. Appl. No. 29/617,685; 6 pages.

Gammack et al., U.S. Office Action dated Aug. 24, 2018, directed to U.S. Appl. No. 29/617,688; 6 pages.  
 Gammack et al., U.S. Office Action dated Aug. 24, 2018, directed to U.S. Appl. No. 29/617,692; 6 pages.  
 Gammack et al., U.S. Office Action dated Aug. 27, 2018, directed to U.S. Appl. No. 29/617,693; 6 pages.  
 Gammack et al., U.S. Office Action dated Aug. 27, 2018, directed to U.S. Appl. No. 29/617,694; 6 pages.  
 Gammack et al., U.S. Office Action dated Aug. 27, 2018, directed to U.S. Appl. No. 29/617,699; 6 pages.  
 Gammack et al., U.S. Office Action dated Aug. 30, 2018, directed to U.S. Appl. No. 29/617,672; 7 pages.  
 Gammack et al., U.S. Office Action dated Aug. 30, 2018, directed to U.S. Appl. No. 29/617,677; 6 pages.  
 Gammack et al., U.S. Office Action dated Aug. 30, 2018, directed to U.S. Appl. No. 29/617,680; 6 pages.  
 Gammack et al., U.S. Office Action dated Aug. 30, 2018, directed to U.S. Appl. No. 29/617,683; 6 pages.  
 Gammack et al., U.S. Office Action dated Aug. 30, 2018, directed to U.S. Appl. No. 29/617,684; 6 pages.  
 Gammack et al., U.S. Office Action dated Aug. 30, 2018, directed to U.S. Appl. No. 29/617,689; 6 pages.

\* cited by examiner

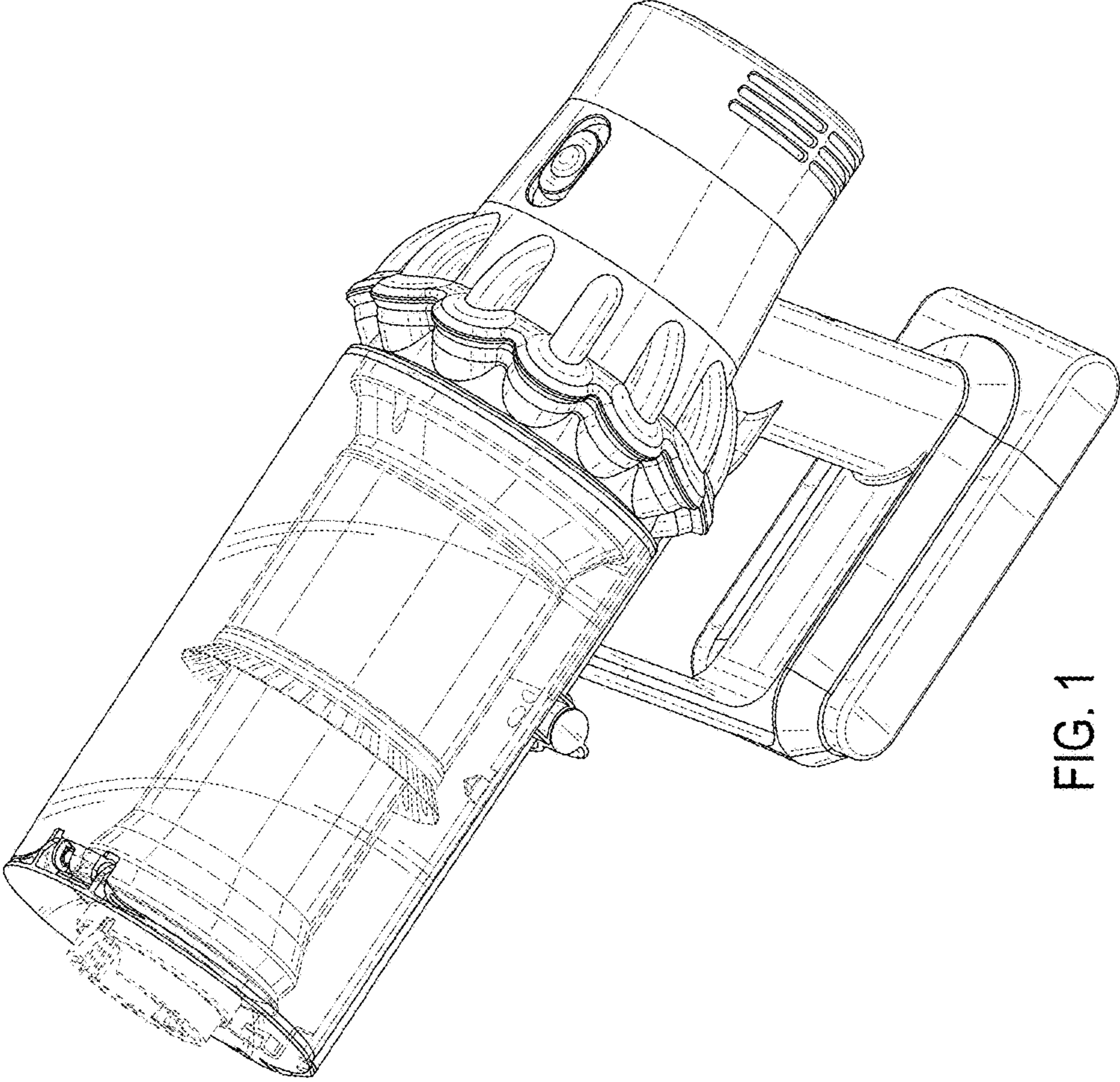


FIG. 1



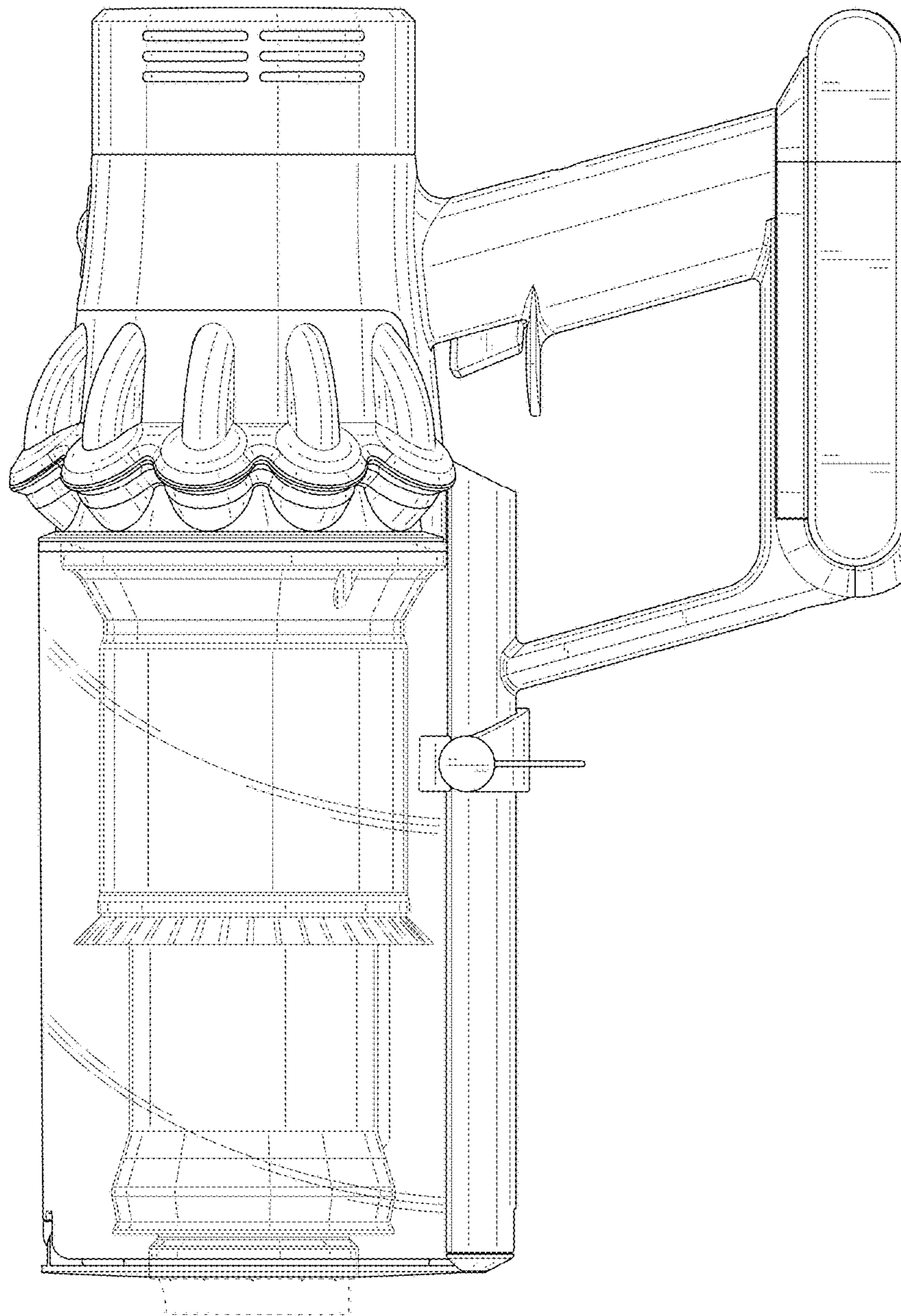


FIG. 2

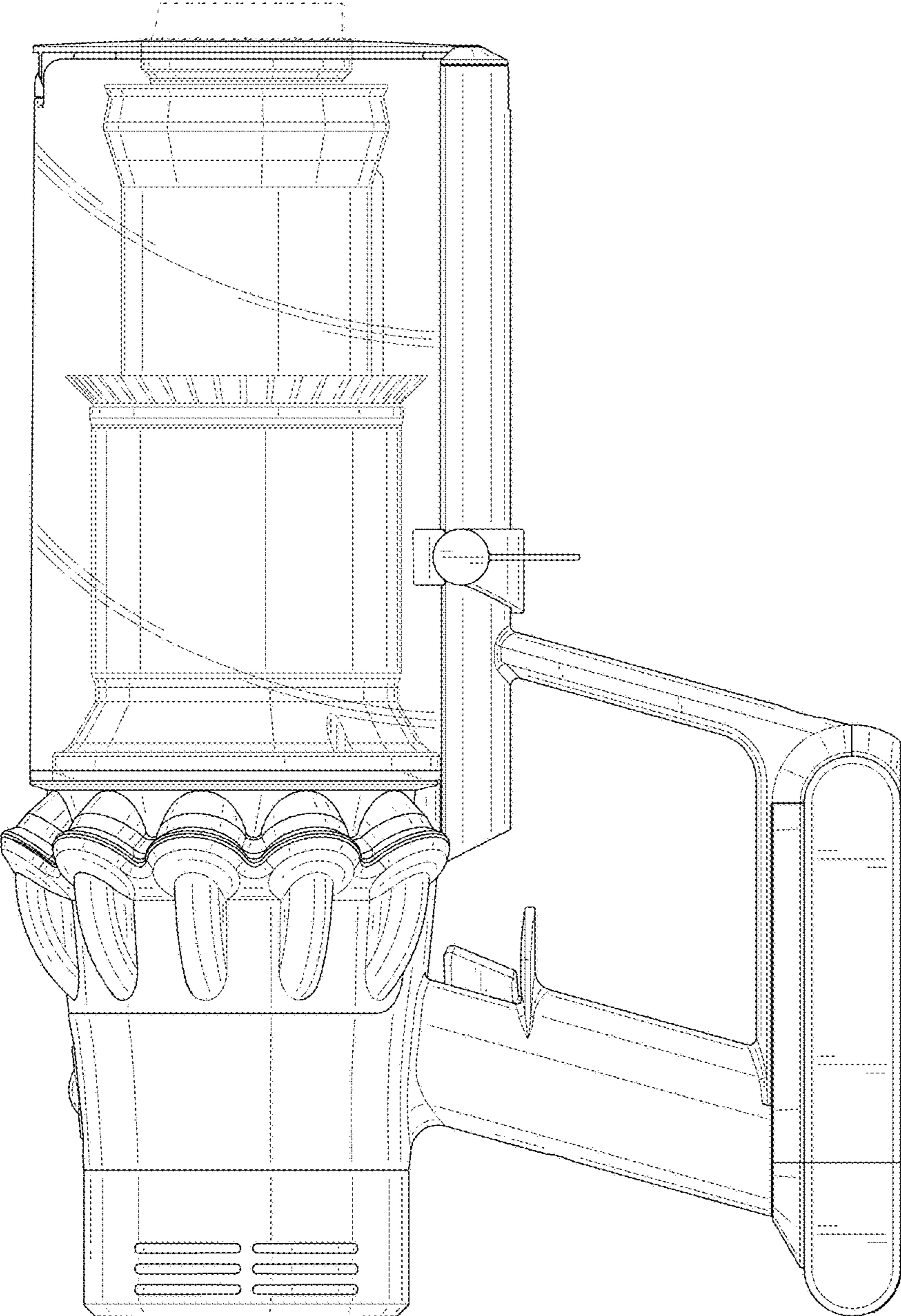


FIG. 3

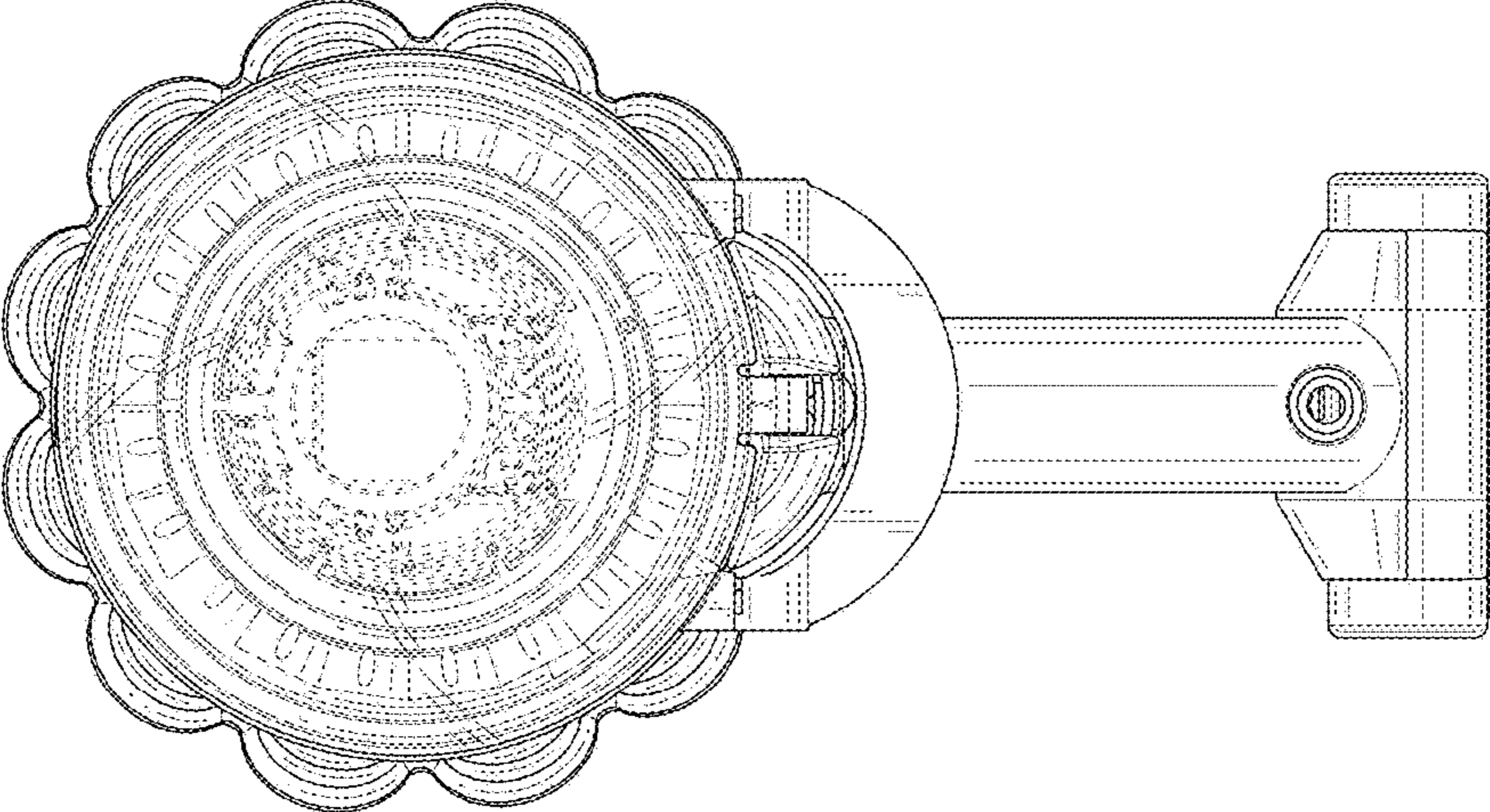


FIG. 4

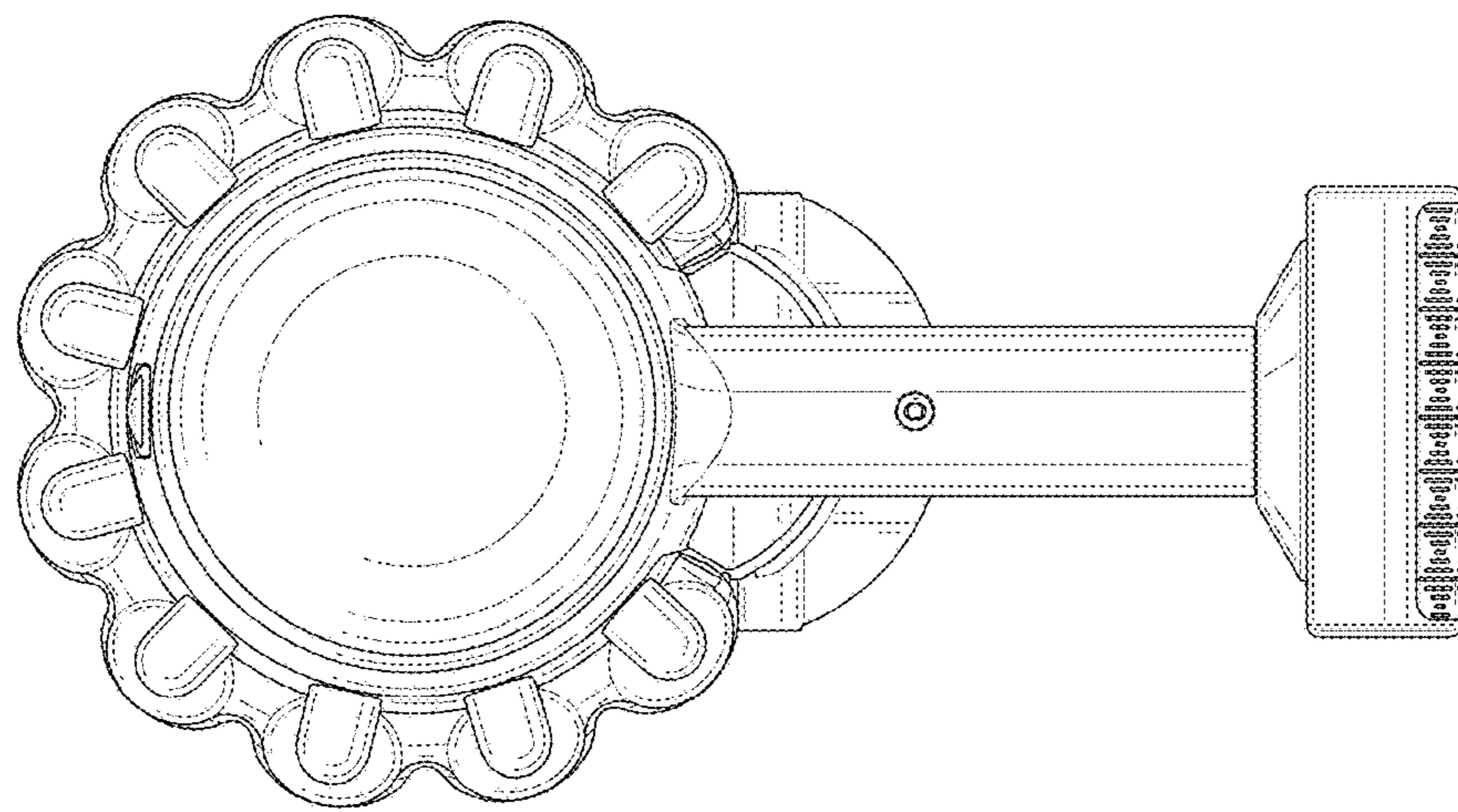


FIG. 5



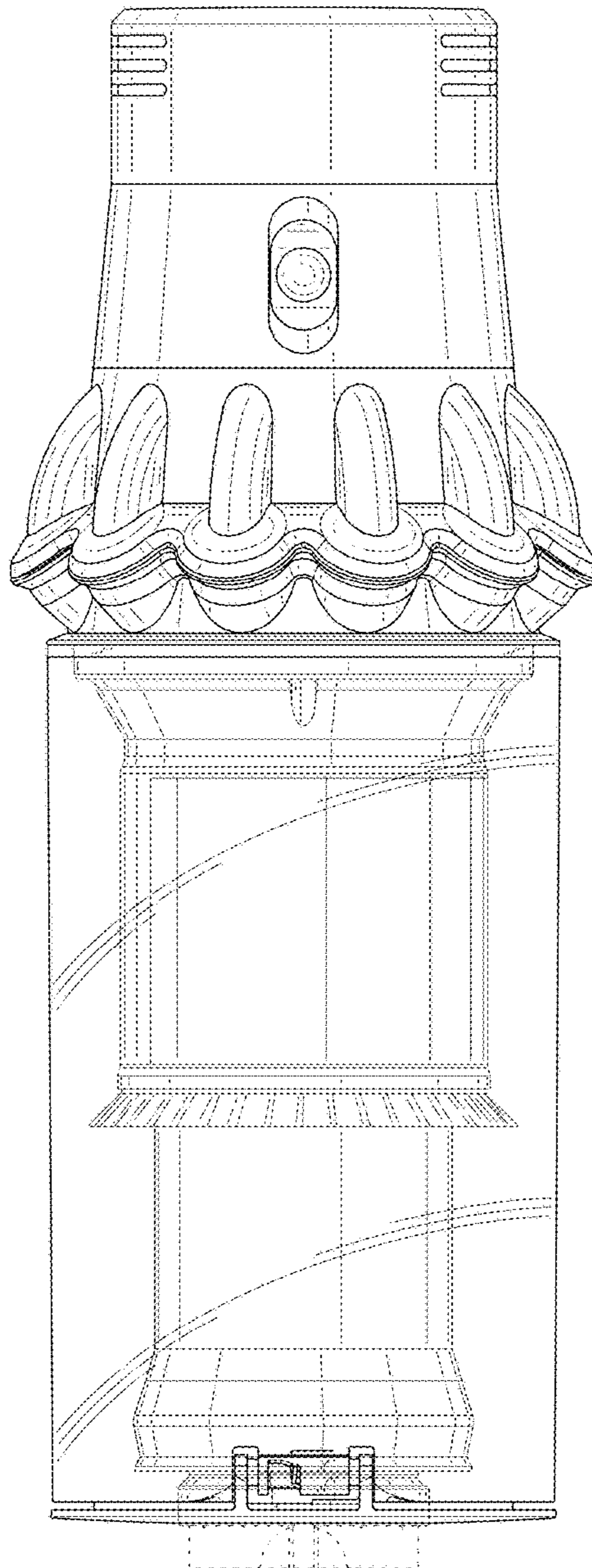


FIG. 6



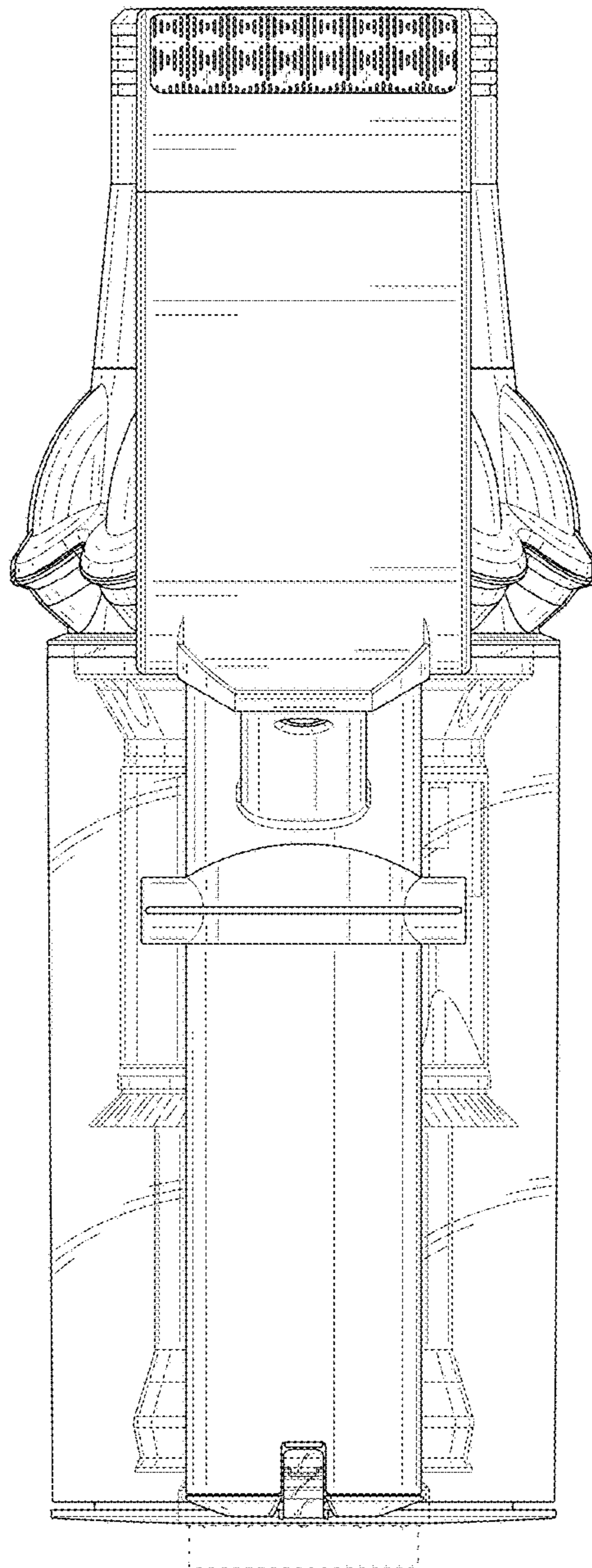


FIG. 7