



US00D861264S

(12) **United States Design Patent** (10) **Patent No.:** **US D861,264 S**
Gu (45) **Date of Patent:** **** Sep. 24, 2019**

(54) **HANDHELD CLEANING MACHINE**

(71) Applicant: **Liang Gu**, Zhejiang (CN)

(72) Inventor: **Liang Gu**, Zhejiang (CN)

(**) Term: **15 Years**

(21) Appl. No.: **29/631,769**

(22) Filed: **Jan. 3, 2018**

(30) **Foreign Application Priority Data**

Sep. 22, 2017 (CN) 2017 3 0451782

(51) **LOC (12) Cl.** **15-05**

(52) **U.S. Cl.**
USPC **D32/17**

(58) **Field of Classification Search**
USPC D32/17, 18, 21, 71, 73, 25
CPC D06F 87/00; D06F 75/30; D06F 75/12;
D06F 75/20; D06F 73/00; D06F 73/10;
D06F 59/02; D06F 59/08; A47L 5/24
See application file for complete search history.

(56) **References Cited**

U.S. PATENT DOCUMENTS

D452,051 S	*	12/2001	Antonio	D32/17
D485,651 S	*	1/2004	Lin	D32/17
D488,269 S	*	4/2004	Tsai	D32/17
D516,759 S	*	3/2006	Lam	D32/17
D525,399 S	*	7/2006	Alday Lesaga	D32/17
D542,488 S	*	5/2007	Lee	D32/17
D595,461 S	*	6/2009	Massip	D32/17
D647,259 S	*	10/2011	Ediger	D32/17

D659,921 S	*	5/2012	Smith	D32/17
D702,406 S	*	4/2014	Mu	D32/17
D704,399 S	*	5/2014	Crawley	D32/17
D731,723 S	*	6/2015	Dammkoehler	D32/17
D793,638 S	*	8/2017	LaBarbera	D32/32
D842,559 S	*	3/2019	Yang	D32/17

* cited by examiner

Primary Examiner — Michelle E. Wilson
(74) *Attorney, Agent, or Firm* — JCIPRNET

(57) **CLAIM**

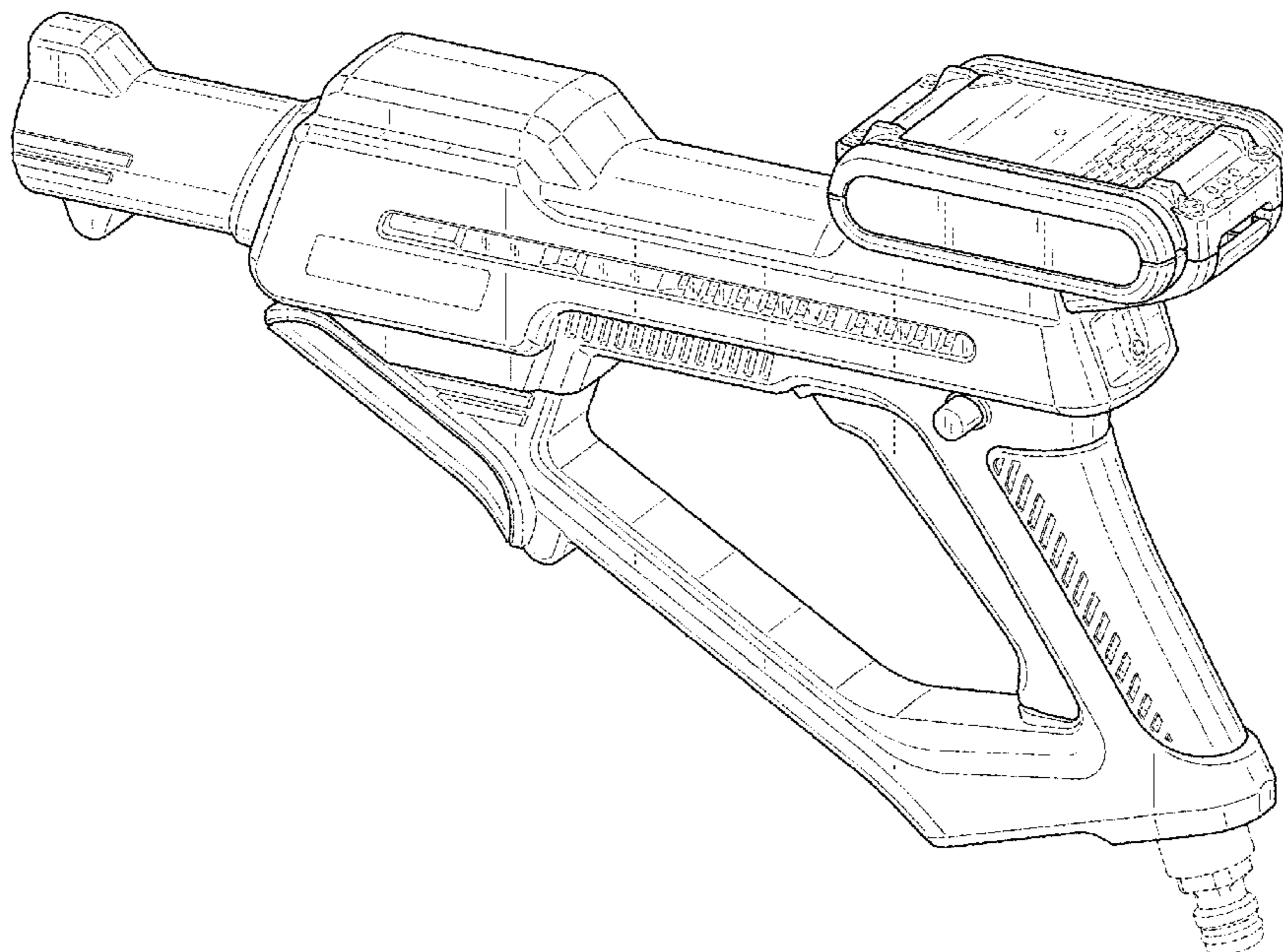
The ornamental design for a handheld cleaning machine, as shown and described.

DESCRIPTION

FIG. 1 is a perspective view of a handheld cleaning machine showing my new design;
FIG. 2 is another perspective view thereof;
FIG. 3 is a front view thereof;
FIG. 4 is a rear view thereof;
FIG. 5 is a left side view thereof;
FIG. 6 is a right side view thereof;
FIG. 7 is a top view thereof;
FIG. 8 is a bottom view thereof;
FIG. 9 is another perspective view thereof with the upper part separated; and,
FIG. 10 is another perspective view thereof with the pipe attached.

The dashed broken lines illustrate portions of the handheld cleaning machine and form no part of the claimed design. The dot-dash broken lines in FIG. 10 illustrate environmental structure and form no part of the claimed design.

1 Claim, 8 Drawing Sheets



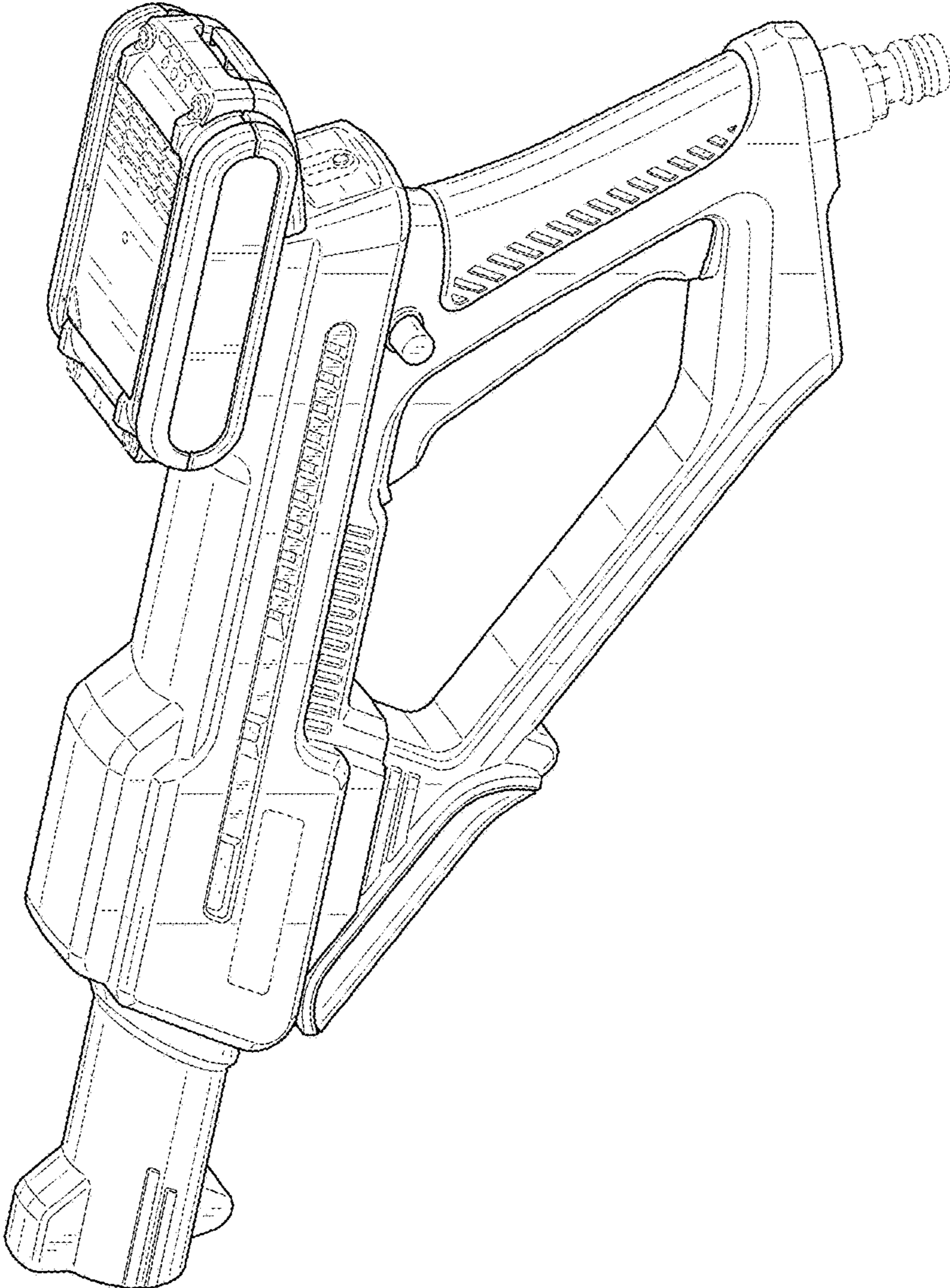


FIG. 1

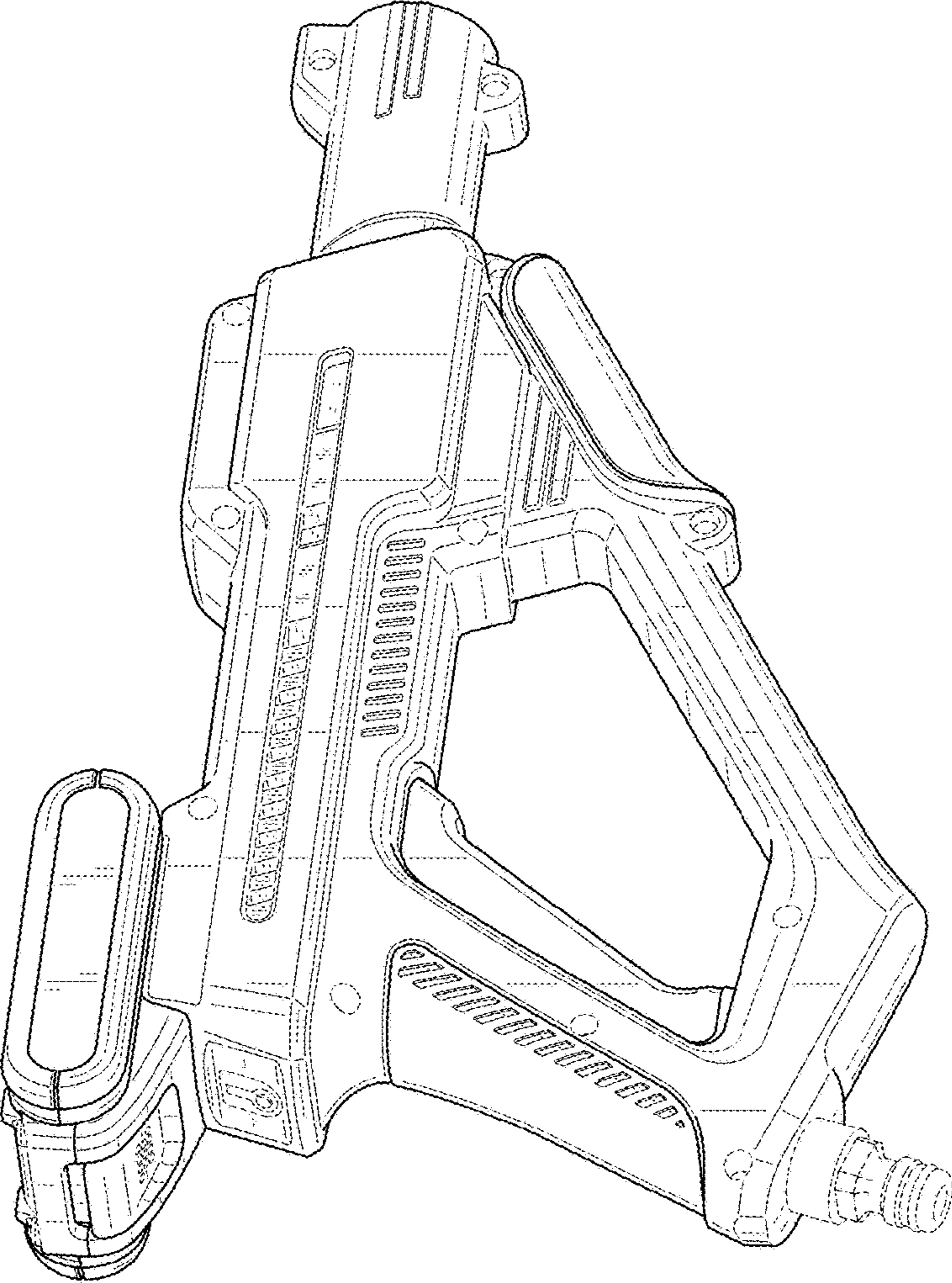


FIG. 2

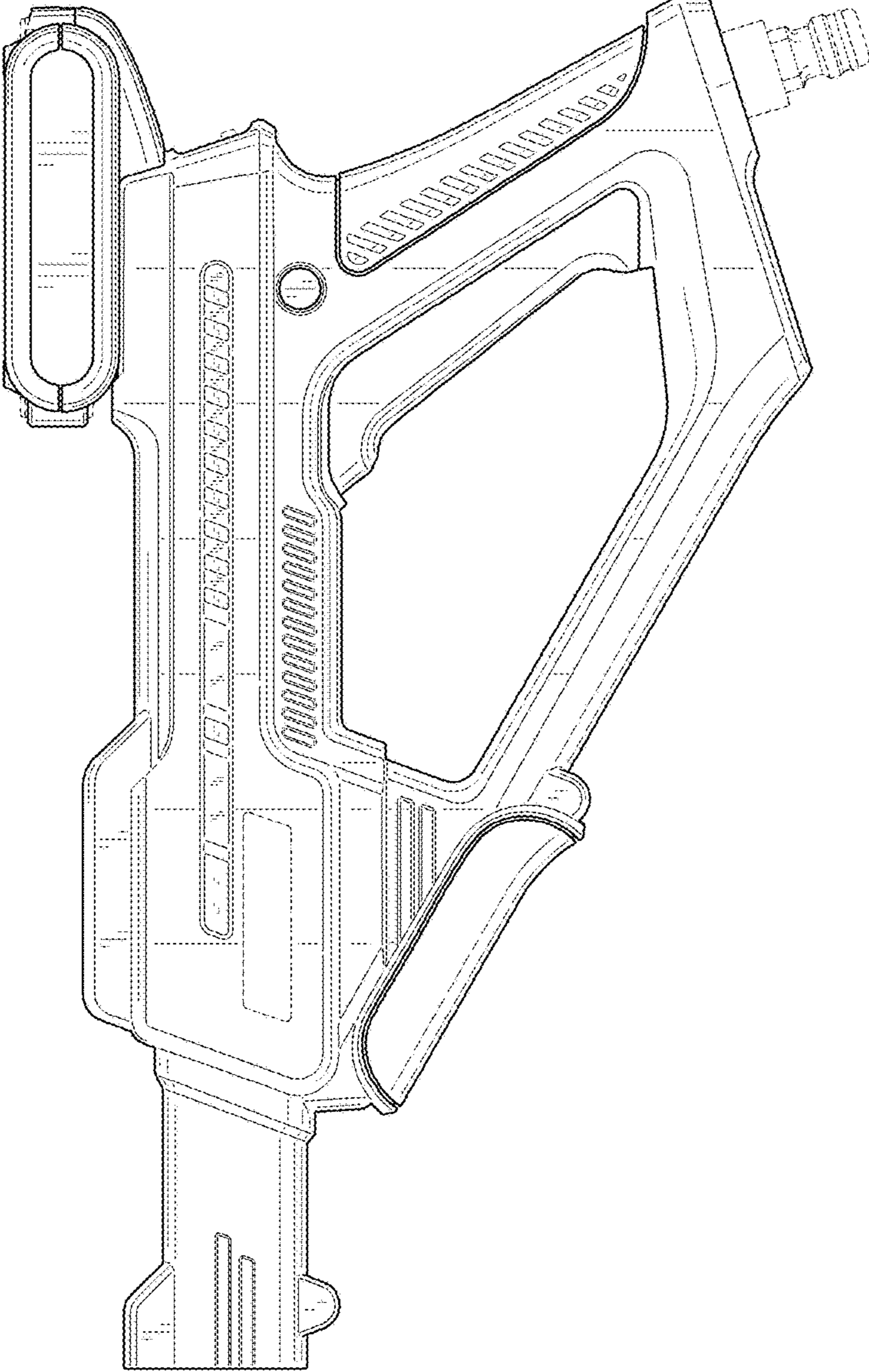


FIG. 3

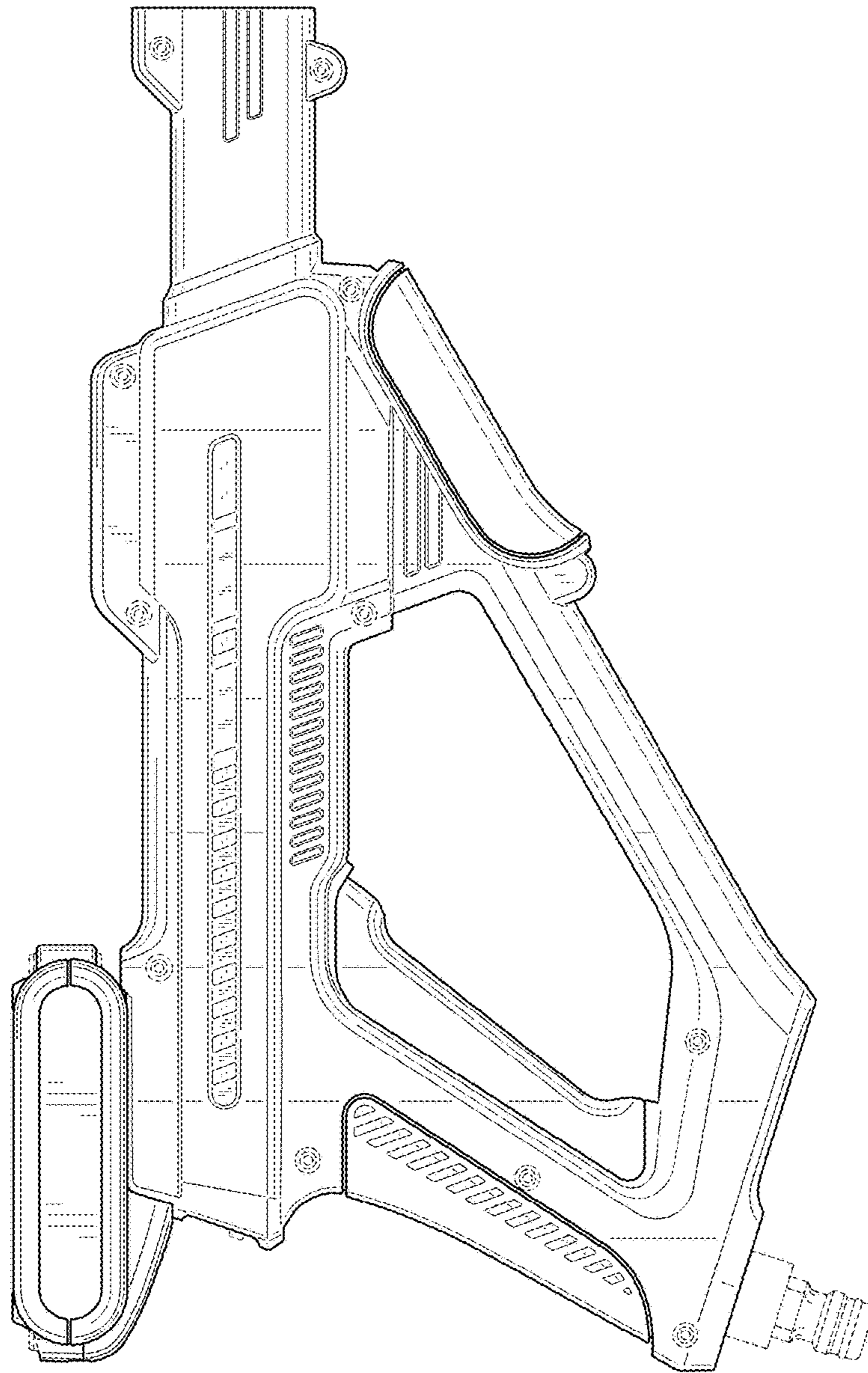


FIG. 4

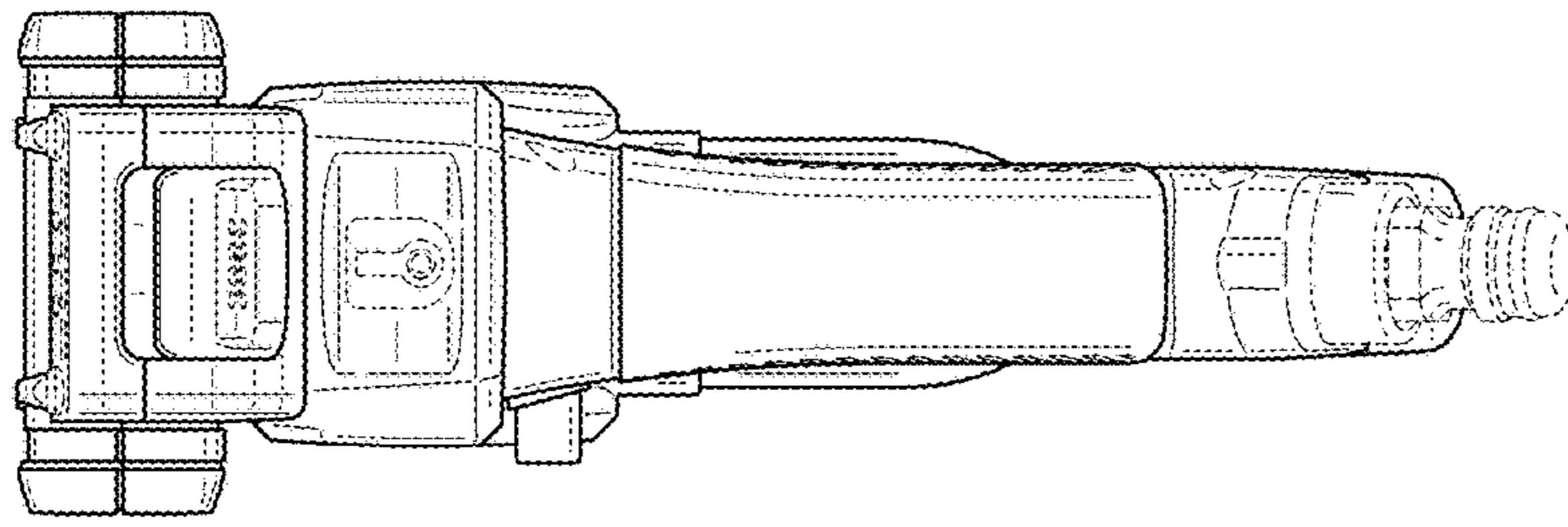


FIG. 6

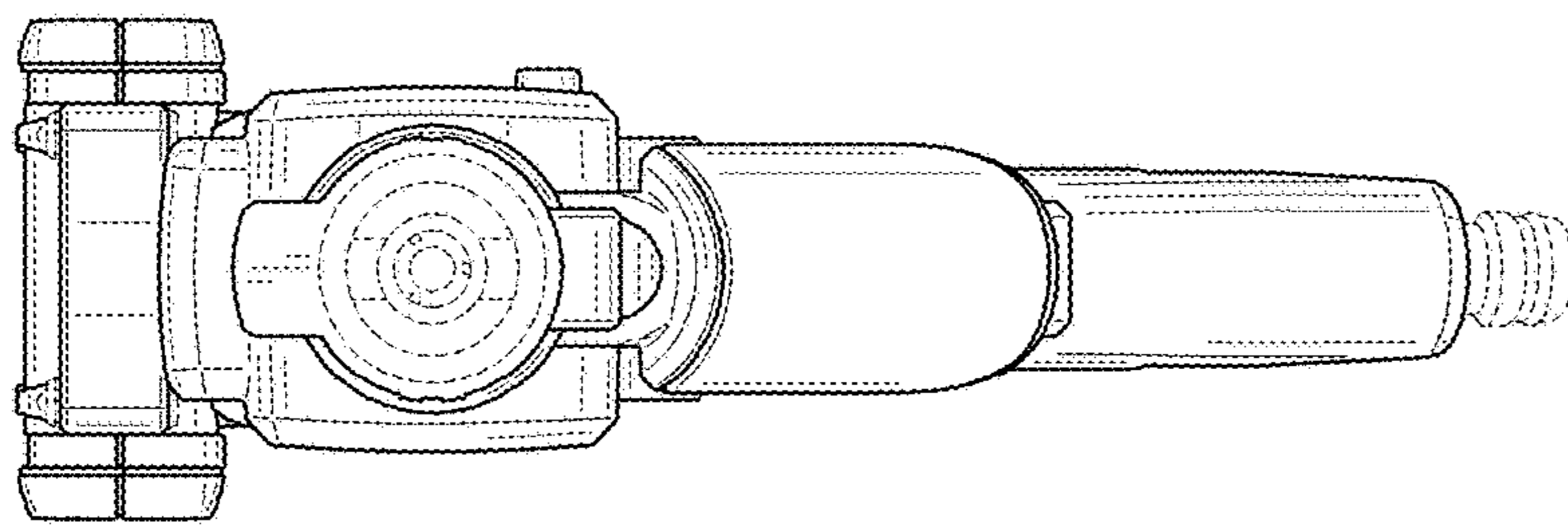


FIG. 5

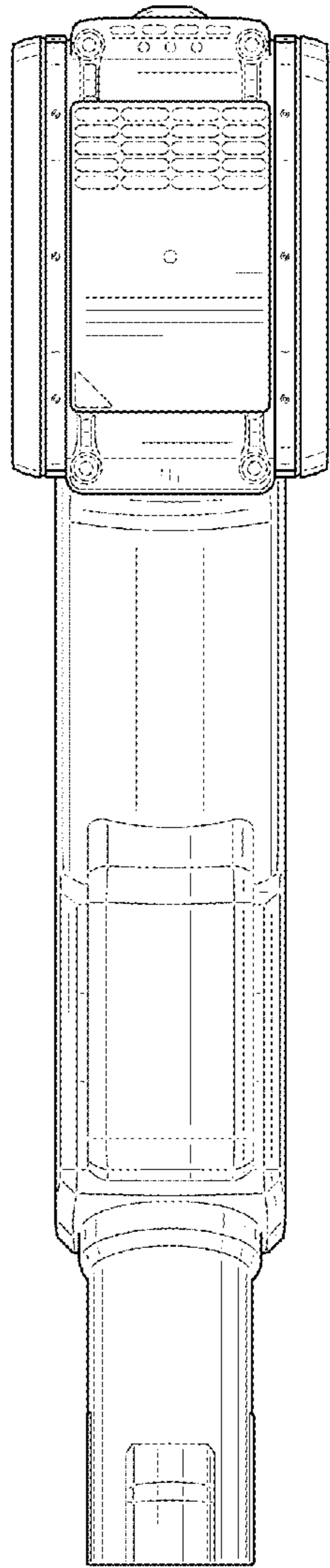


FIG. 7

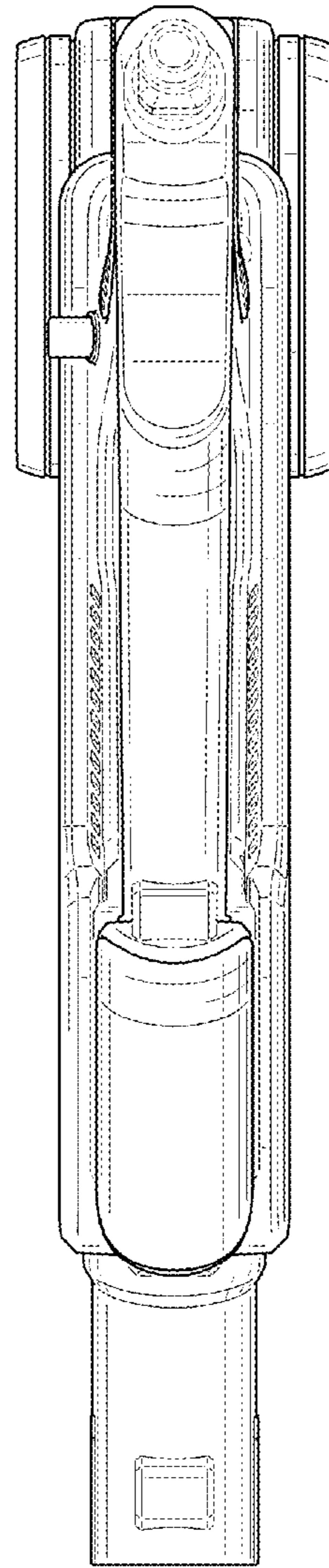


FIG. 8

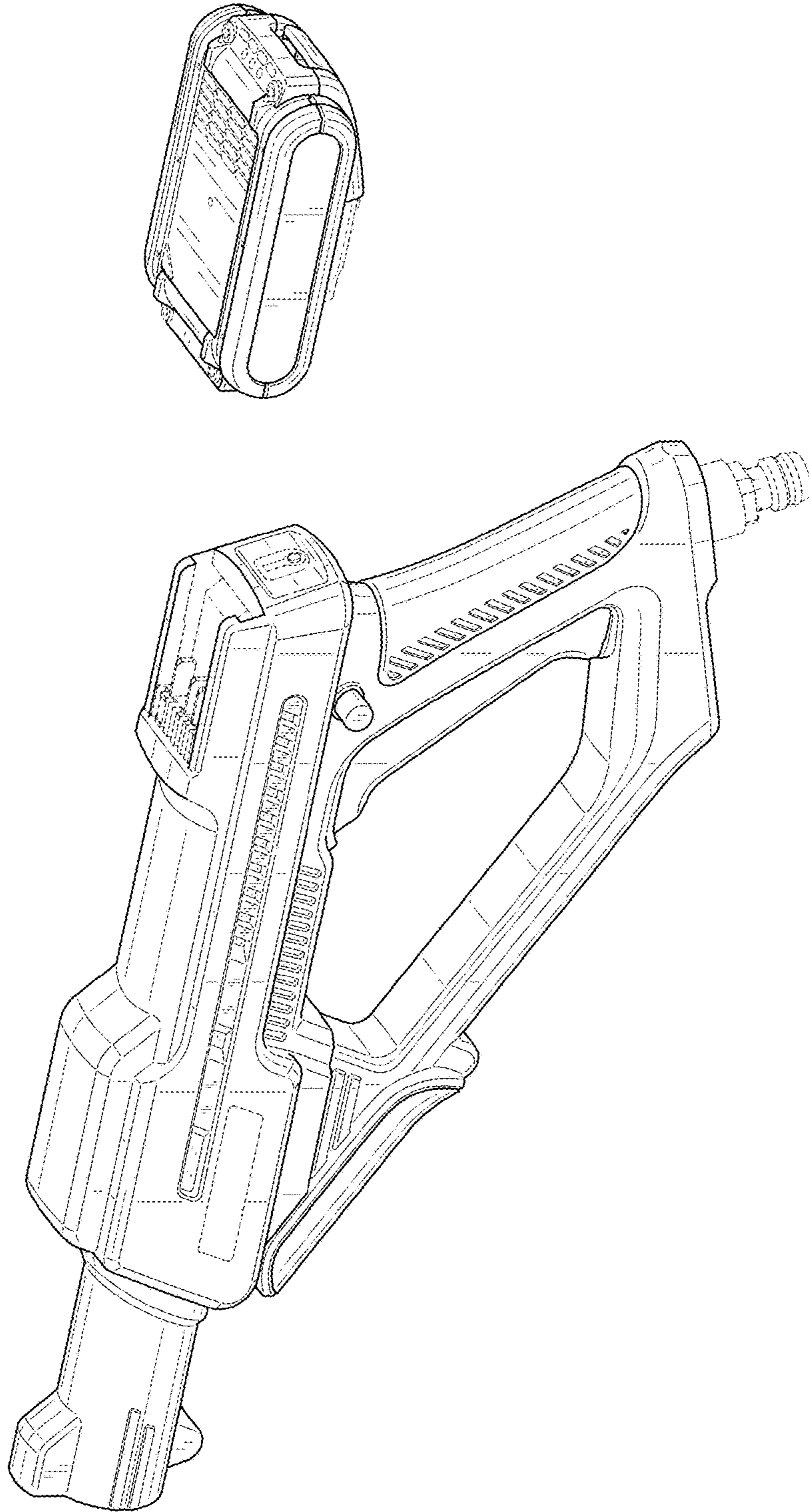


FIG. 9

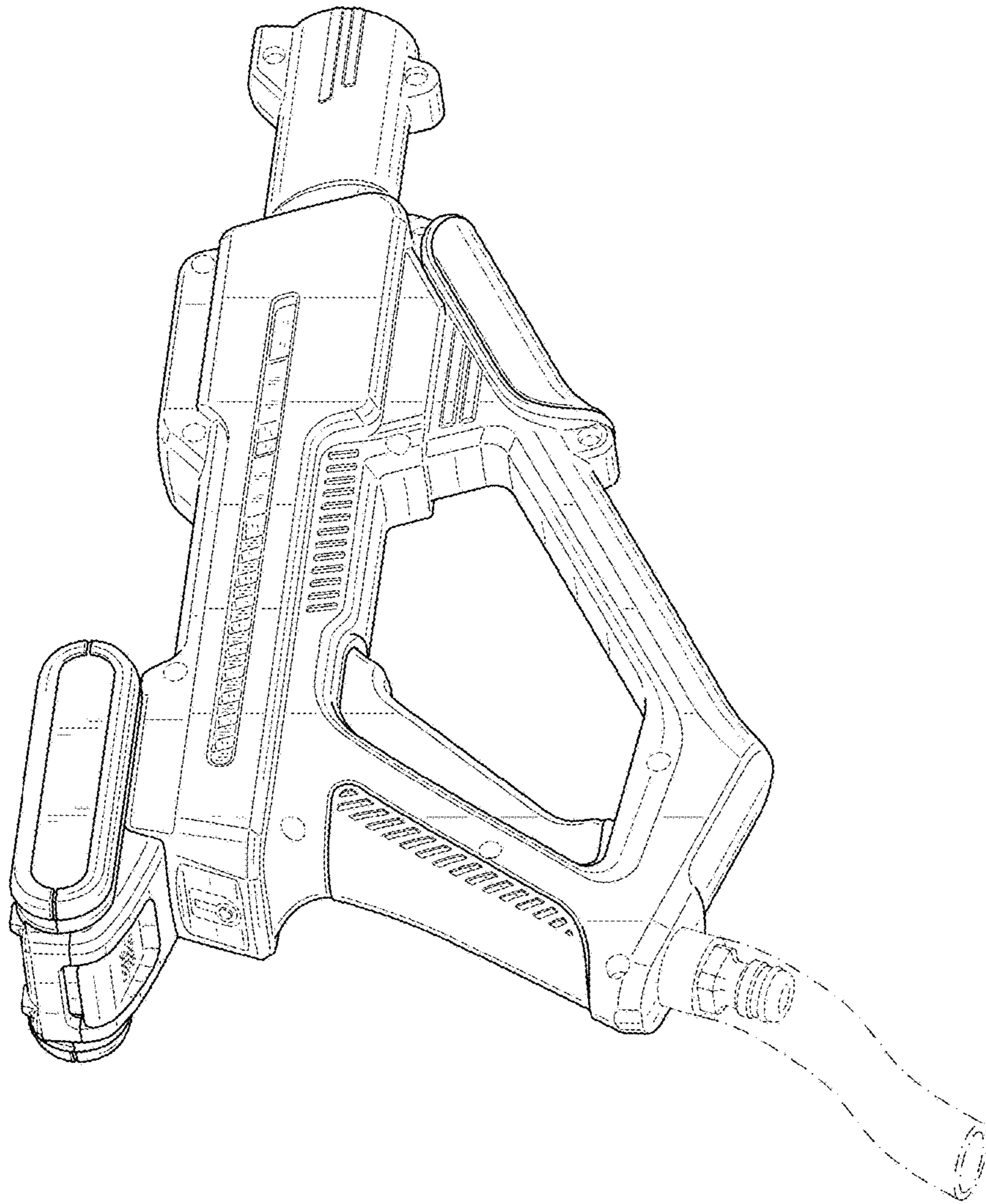


FIG. 10