



US00D861263S

(12) **United States Design Patent**
de Martrin-Donos

(10) **Patent No.:** **US D861,263 S**
(45) **Date of Patent:** **** Sep. 24, 2019**

(54) **COMBINED TOILET PLUNGER AND BASE**

FOREIGN PATENT DOCUMENTS

(71) Applicant: **Francois de Martrin-Donos**, Brooklyn, NY (US)

CN 303149318 * 4/2015

(72) Inventor: **Francois de Martrin-Donos**, Brooklyn, NY (US)

OTHER PUBLICATIONS

(73) Assignee: **HELEN OF TROY LIMITED**, St. Michael (BB)

Good Grips Hideaway Toilet Plunger posted by OXO posted review date Jul. 21, 2016, © Amazon, [online], [site visited Dec. 7, 2018]. Available from Internet, <https://www.amazon.com/OXO-Hideaway-Toilet-Plunger-Canister> (Year: 2016).*

(**) Term: **15 Years**

(Continued)

(21) Appl. No.: **29/628,985**

Primary Examiner — Garth Rademaker
Assistant Examiner — Laura H Yu

(22) Filed: **Dec. 9, 2017**

(51) **LOC (12) Cl.** **15-05**

(52) **U.S. Cl.**
USPC **D32/14**

(58) **Field of Classification Search**
USPC D32/1, 14, 25, 34, 35; D23/223, 224;
D6/524; D28/7; 4/255.05, 255.01,
4/255.12, 255.09, 255.11; 15/406
CPC .. E03D 9/00; E03C 1/30; E03C 1/308; A47K
11/10
See application file for complete search history.

(57) **CLAIM**

The ornamental design for a combined toilet plunger and base, as shown and described.

DESCRIPTION

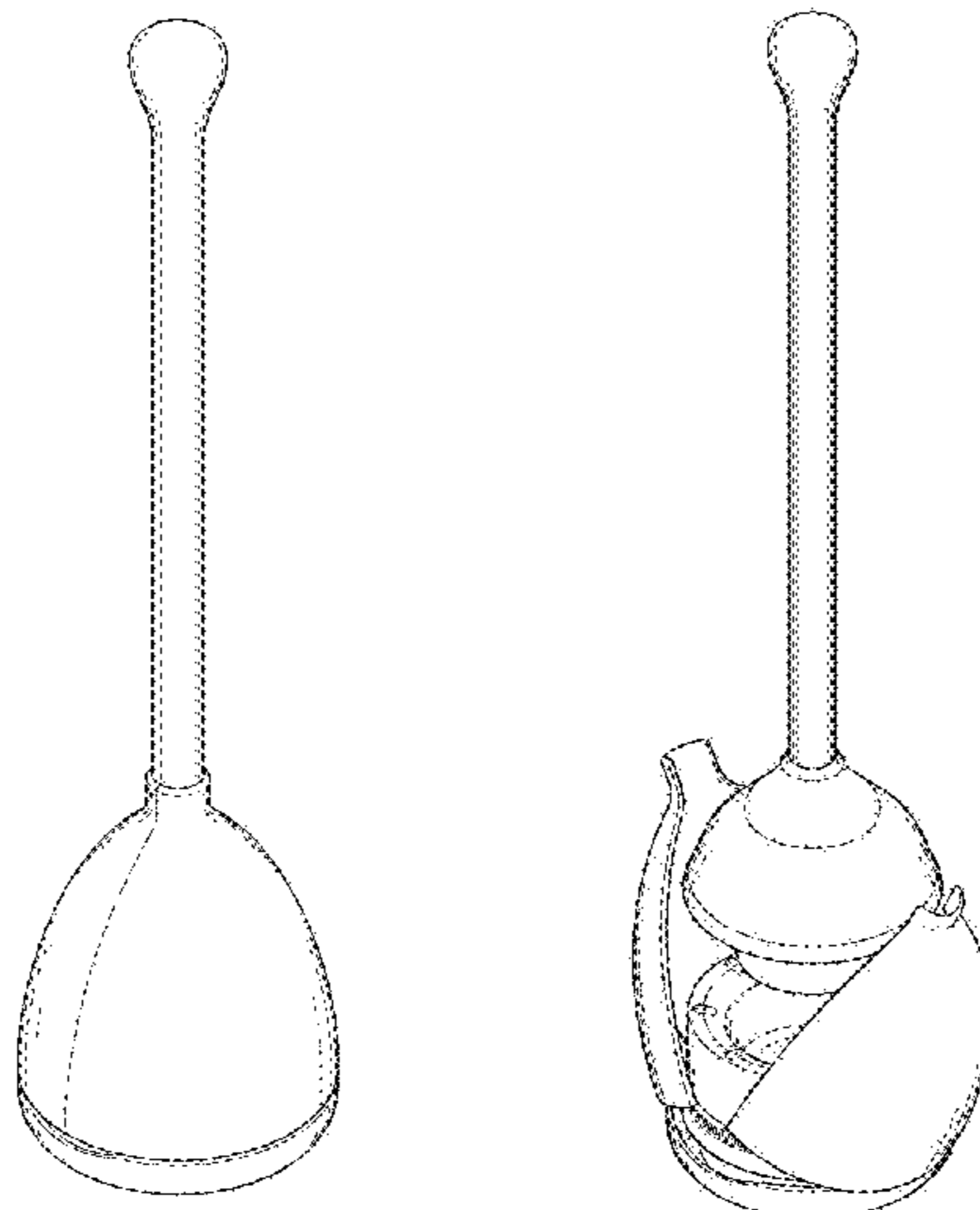
FIG. 1 is a perspective view of a combined toilet plunger and base in a closed position;
FIG. 2 is a front elevational view thereof, the rear view being a mirror image thereof;
FIG. 3 is a left side elevational view thereof, the right side elevational view being a mirror image thereof;
FIG. 4 is a top view thereof;
FIG. 5 is a bottom view thereof;
FIG. 6 is a perspective view thereof in an open position;
FIG. 7 is a front elevational view thereof, the rear view being a mirror image thereof
FIG. 8 is a left side elevational view thereof, the right side elevational view being a mirror image thereof;
FIG. 9 is a top view thereof; and,
FIG. 10 is a bottom view thereof.
The broken lines in the drawings show portions of the combined toilet plunger and base which form no part of the claimed design.

(56) **References Cited**

U.S. PATENT DOCUMENTS

D449,951 S *	11/2001	Schmidt	D6/524
D525,064 S *	7/2006	Williams	D6/524
7,328,793 B2 *	2/2008	Leaphart, Jr.	A47K 17/00 206/15.2
D574,116 S *	7/2008	Yang	D32/14
D688,489 S *	8/2013	Cohen	E03C 1/308 D6/524
9,133,610 B2 *	9/2015	Dressel	E03D 9/00
2010/0084292 A1 *	4/2010	Wildauer	A47K 17/00 206/349
2013/0180874 A1 *	7/2013	Yang	A47K 11/10 206/349

1 Claim, 10 Drawing Sheets



(56)

References Cited

OTHER PUBLICATIONS

Good Grips Hideaway Toilet Plunger posted by eCono-Drain posted date Nov. 1, 2016, © Youtube, [online], [site visited Dec. 7, 2018]. Available from Internet, <https://www.youtube.com/watch?v=9jmBEvwSSv4> (Year: 2016).*

OXO Toilet Plunger posted by Ewan Holland posted date Aug. 26, 2016, © Youtube, [online], [site visited Dec. 7, 2018]. Available from Internet, <https://www.youtube.com/watch?v=aq9u4M5xYe4> (Year: 2016).*

Toilet Plunger posted by HowPlumb posted review date Nov. 28, 2017, © Amazon, [online], [site visited Dec. 7, 2018]. Available from Internet, <https://www.amazon.com/Deluxe-Heavy-Toilet-Plunger-Holder> (Year: 2017).*

The Best Toilet Plunger posted by Doug Mahoney posted date Feb. 8, 2017, © Wirecutter, [online], [site visited Dec. 7, 2018]. Available from Internet, <https://thewirecutter.com/reviews/best-toilet-plunger/> (Year: 2017).*

Stainless Steel Plunger posted by Organize It posted date unknown, © Organize It, [online], [site visited Dec. 7, 2018]. Available from Internet, <https://www.organizeit.com/stainless-steel-toilet-plunger-caddy.asp#> (Year: 2018).*

* cited by examiner

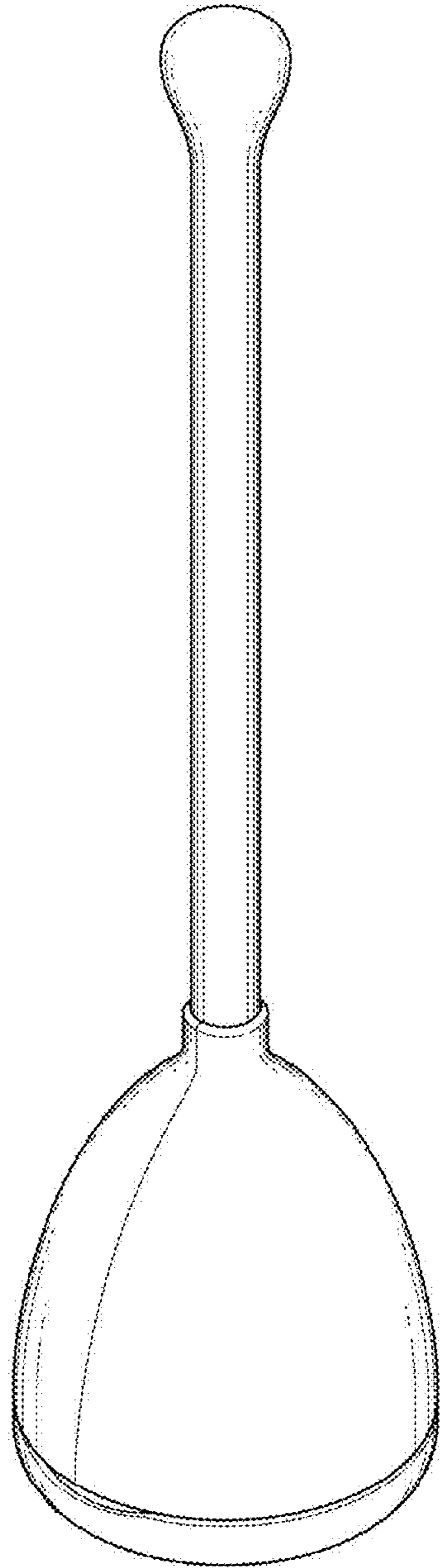


FIG. 1

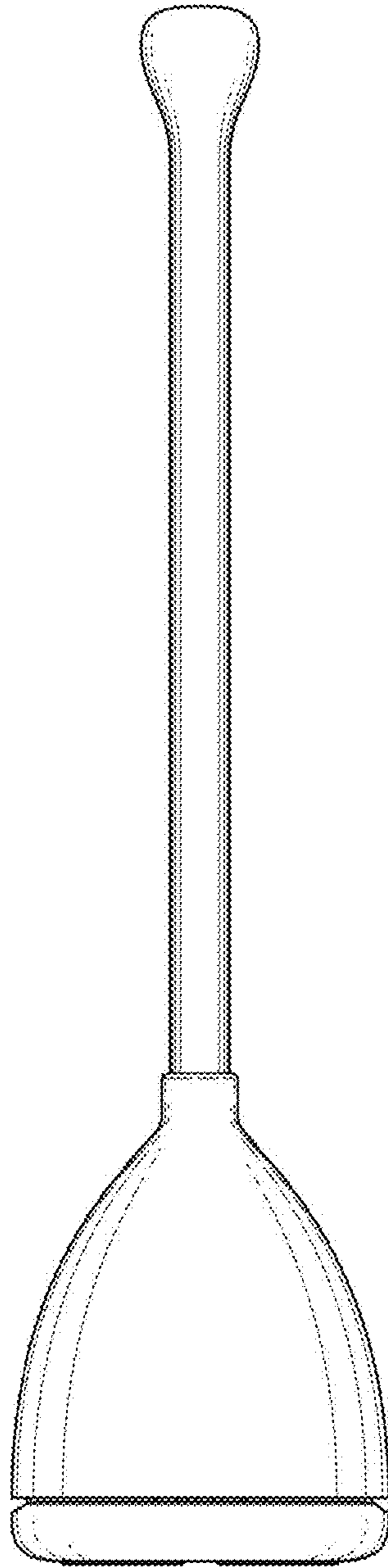


FIG. 2

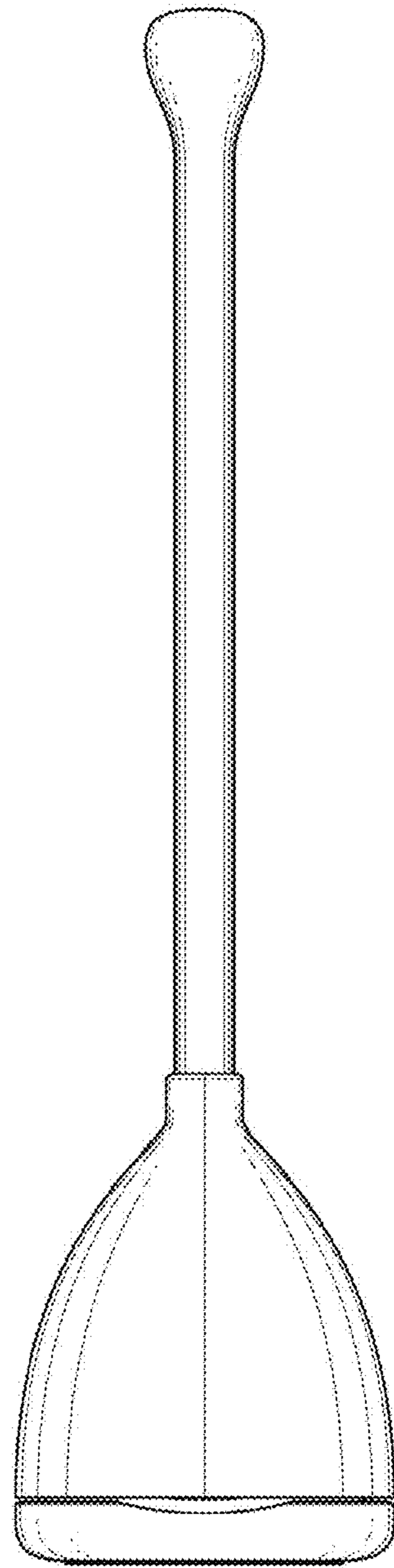


FIG. 3

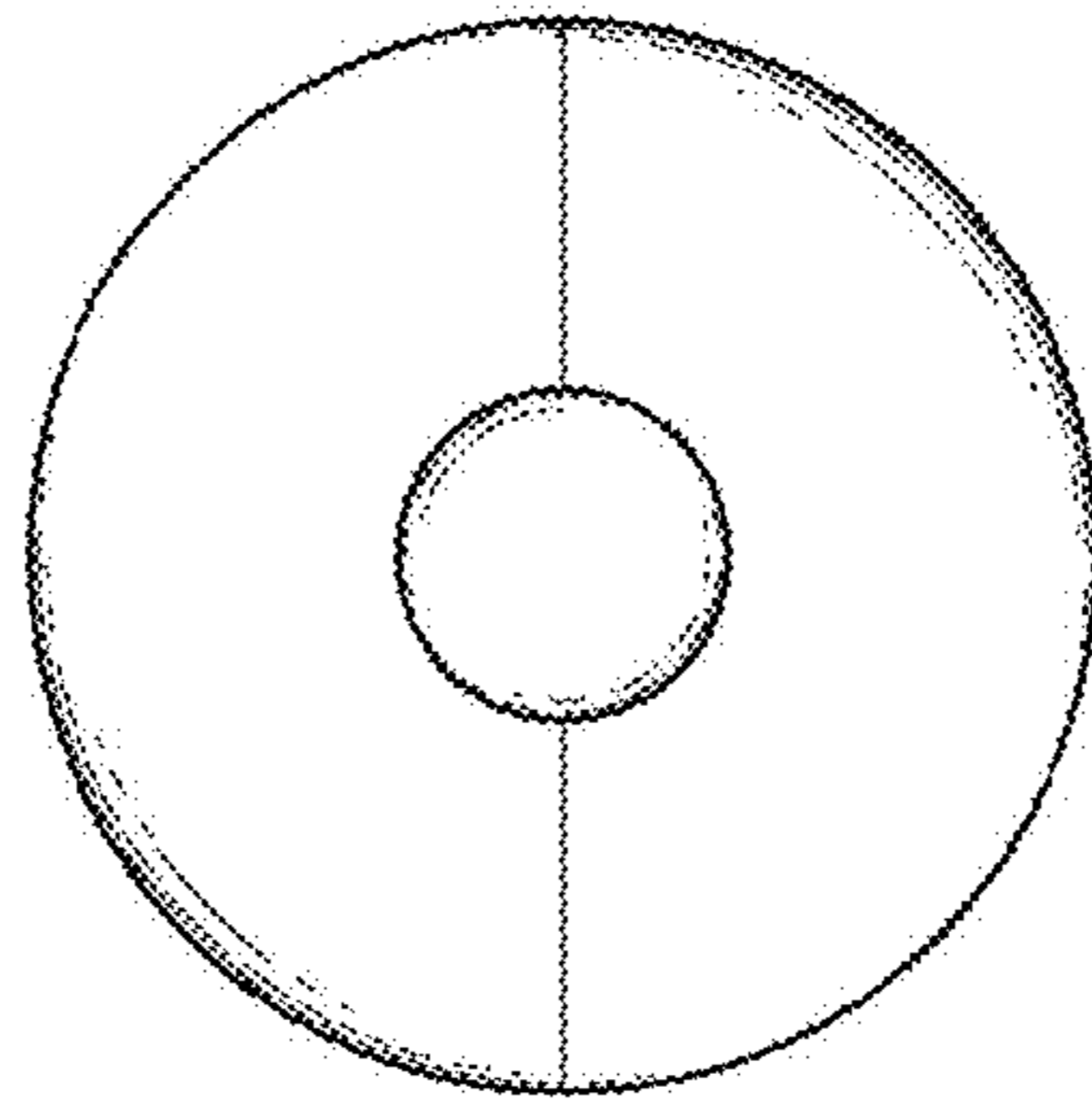


FIG. 4

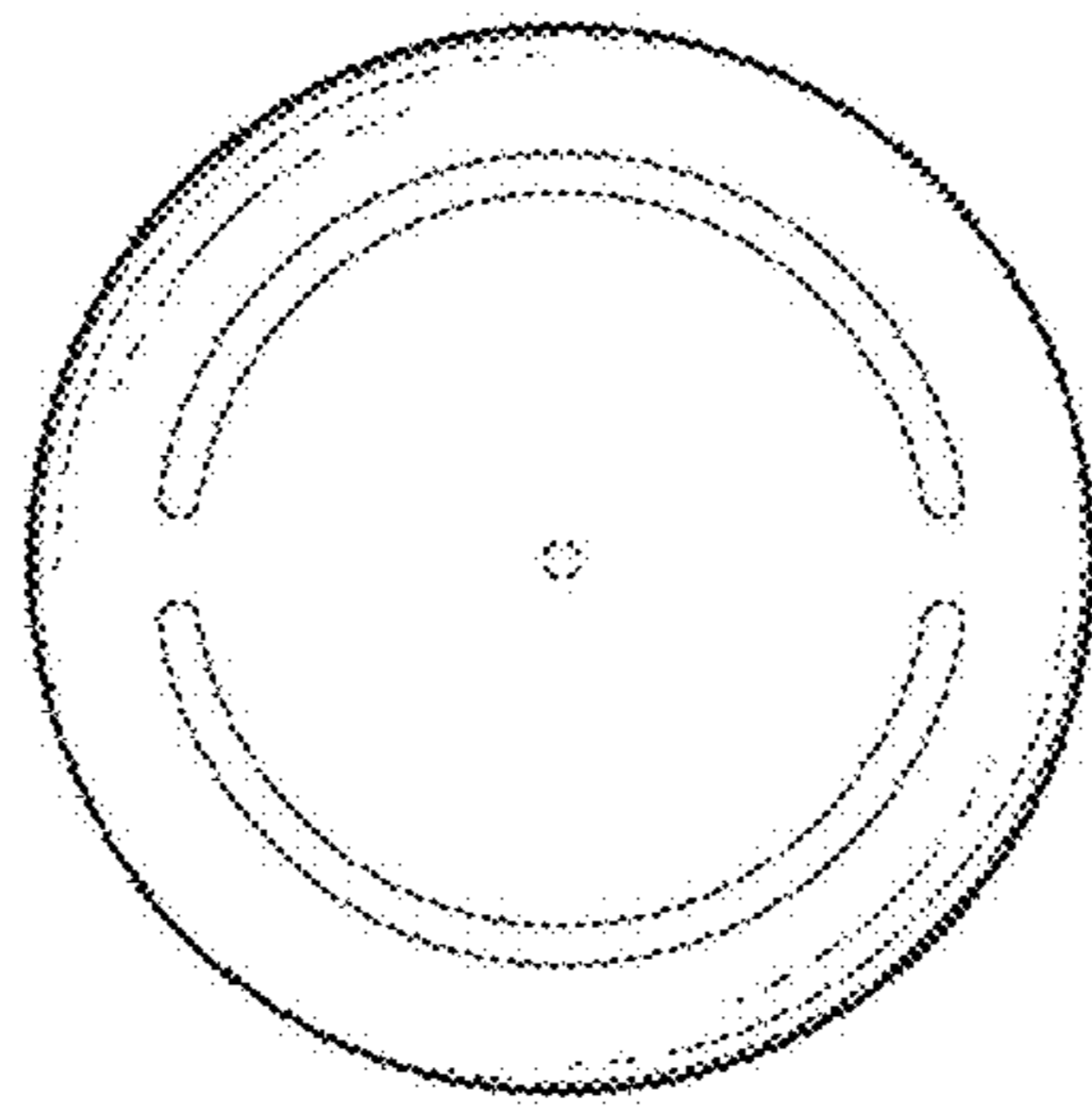


FIG. 5

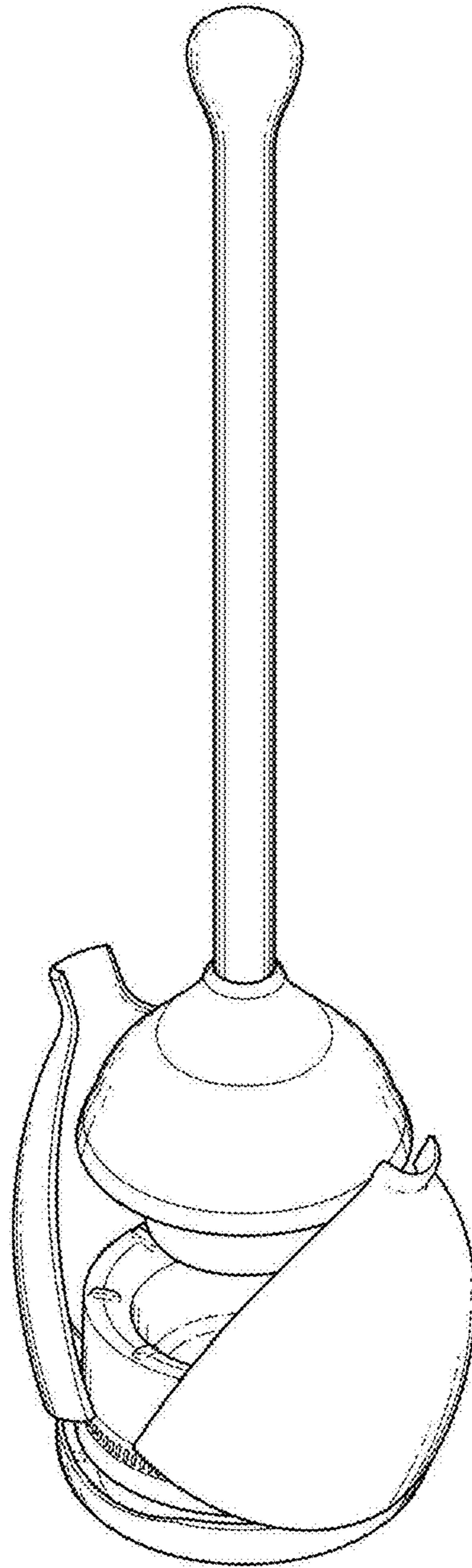


FIG. 6

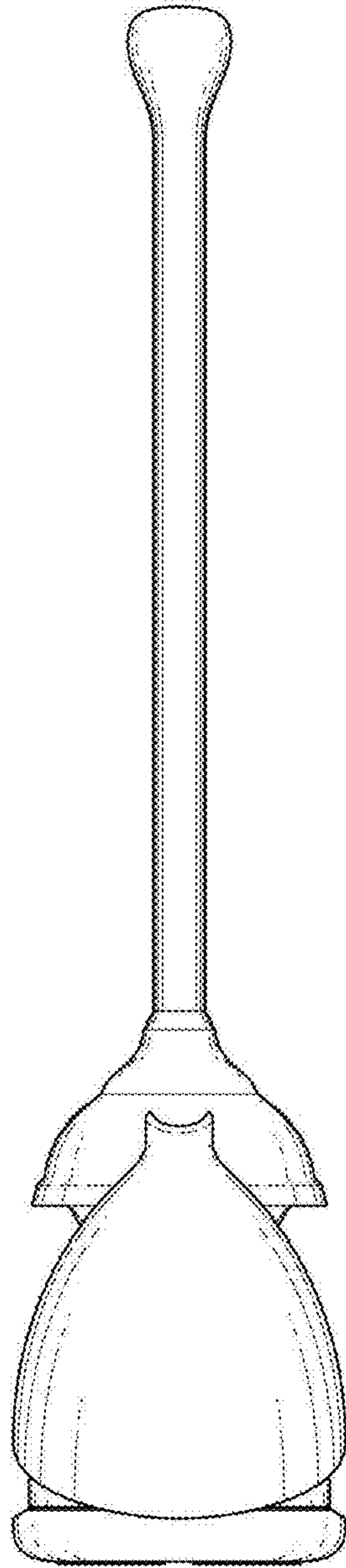


FIG. 7

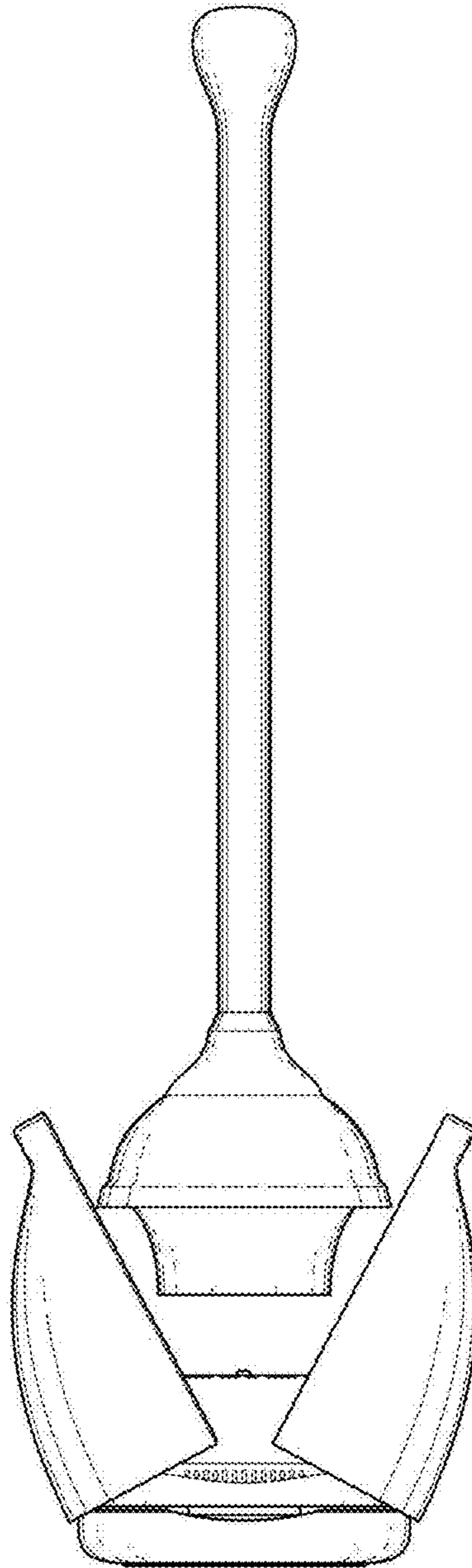


FIG. 8

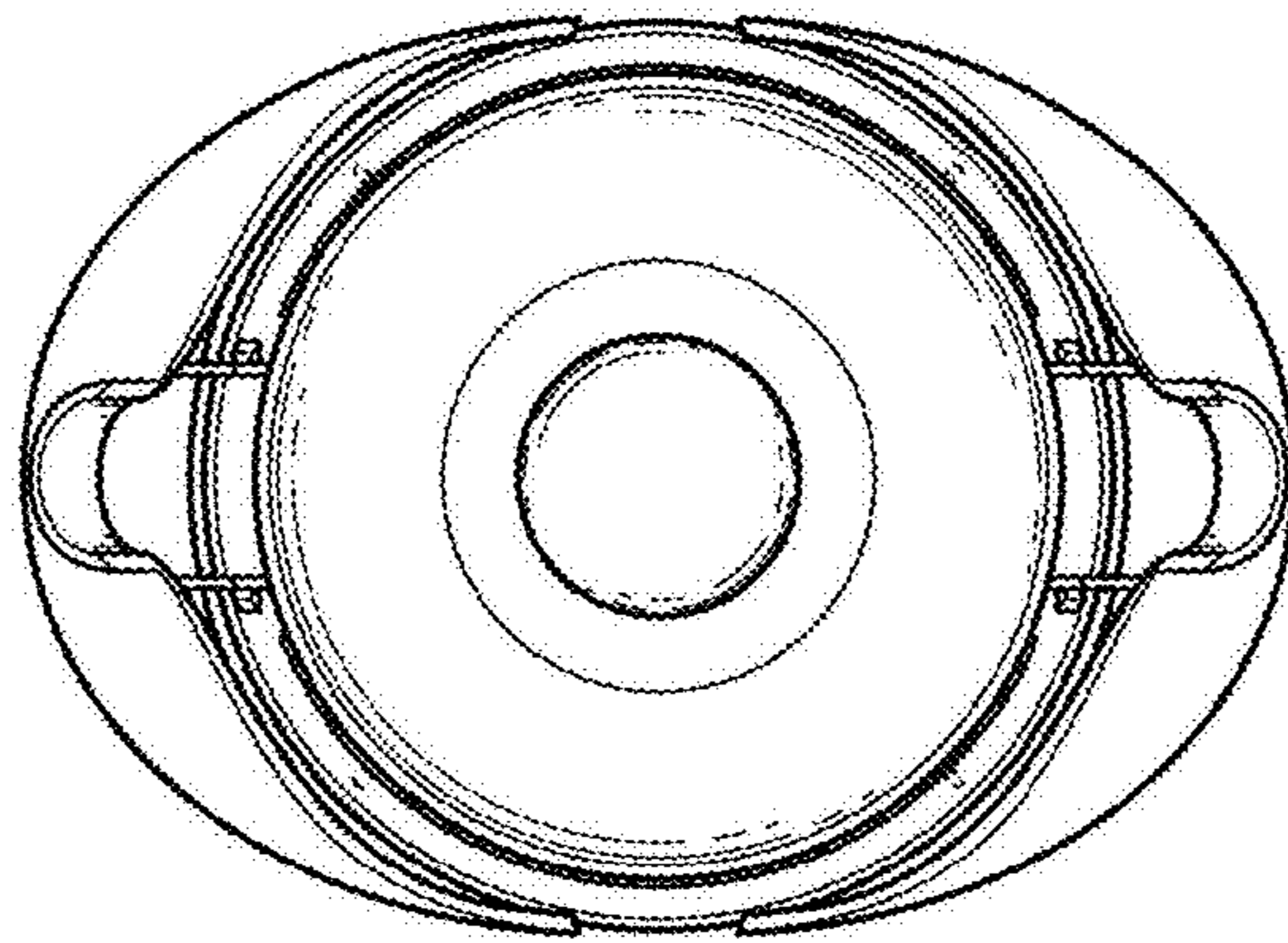


FIG. 9

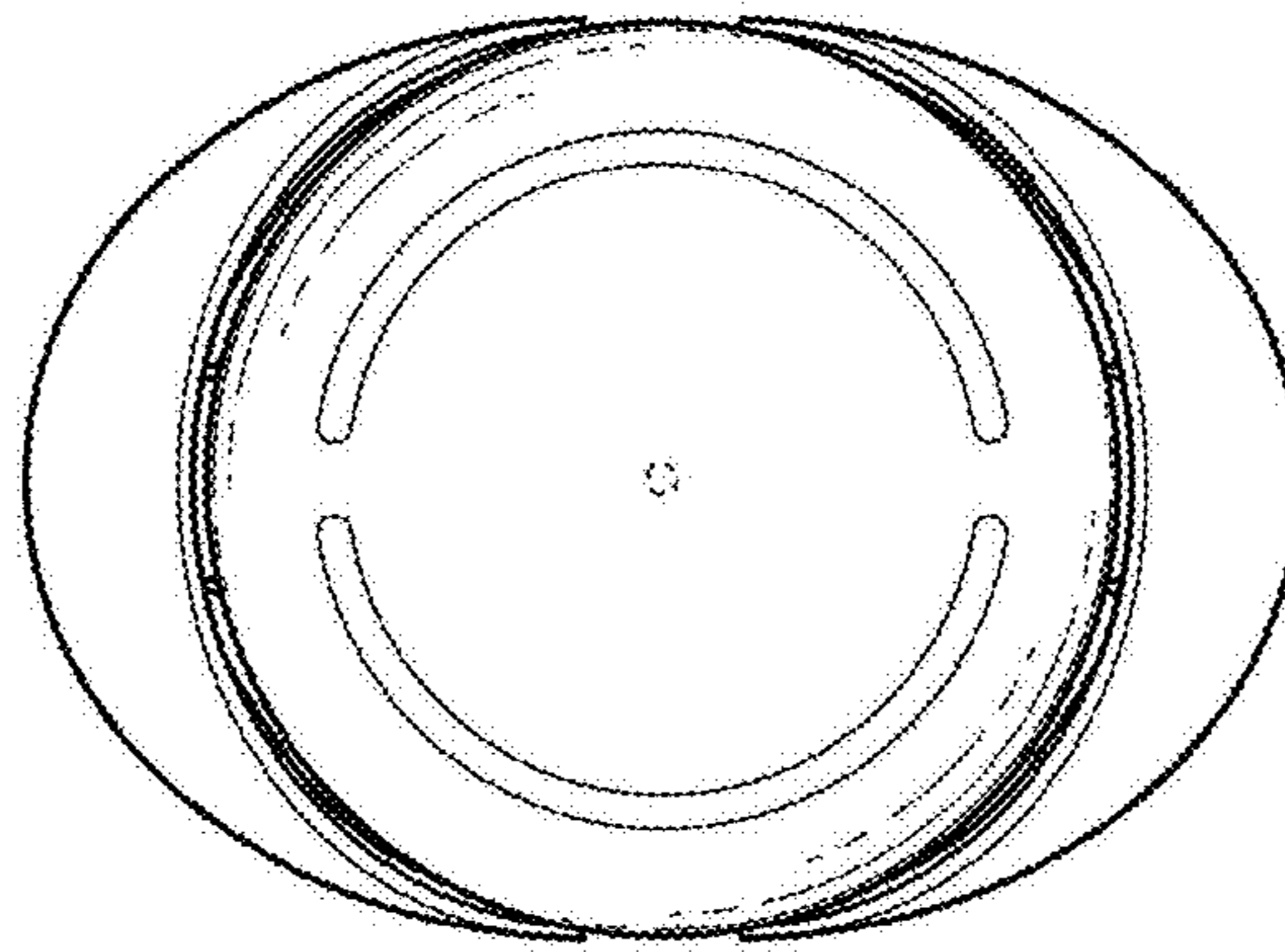


FIG. 10