



US00D861262S

(12) **United States Design Patent**  
**Scheuerman**

(10) **Patent No.:** **US D861,262 S**

(45) **Date of Patent:** **\*\* Sep. 24, 2019**

(54) **TOILET PLUNGER HEAD**

(71) Applicant: **Michael Scheuerman**, Calgary (CA)

(72) Inventor: **Michael Scheuerman**, Calgary (CA)

(\*\*) Term: **15 Years**

(21) Appl. No.: **29/596,170**

(22) Filed: **Mar. 6, 2017**

(51) **LOC (12) Cl.** ..... **15-05**

(52) **U.S. Cl.**  
USPC ..... **D32/14**

(58) **Field of Classification Search**  
USPC ..... D32/1, 14, 25, 35; D23/223, 224;  
D6/524  
CPC ..... E03C 1/308; A47K 11/10  
See application file for complete search history.

(56) **References Cited**

**U.S. PATENT DOCUMENTS**

D292,631 S *	11/1987	Tash	D32/14
D306,756 S *	3/1990	Isakson	D23/231
D364,251 S *	11/1995	Novak	D32/35
D437,463 S *	2/2001	Garay	D32/14
D437,667 S *	2/2001	Hwang	D32/35
D441,507 S *	5/2001	Gholston	D32/14
D448,534 S *	9/2001	Wang	D32/35
D454,673 S *	3/2002	Hwang	D32/35
D456,574 S *	4/2002	Chen	D32/35
D457,277 S *	5/2002	Poston	D32/14
D464,775 S *	10/2002	Larson	D32/35
D465,888 S *	11/2002	Wang	D32/35
D466,658 S *	12/2002	Van Dam	D32/14
D491,702 S *	6/2004	Tash	D32/14
D509,333 S *	9/2005	Tash	D32/35
D514,760 S *	2/2006	Schoolcraft	D32/35
D535,073 S *	1/2007	Leaphart	D32/35
D684,325 S *	6/2013	Newman	D32/14
D688,840 S *	8/2013	Wu	D32/14

D690,959 S *	10/2013	Yang	D6/524
9,631,349 B2 *	4/2017	Petner	E03C 1/308
2005/0172385 A1 *	8/2005	Jiang	E03C 1/308 4/255.05
2013/0036542 A1 *	2/2013	Loughman	A47K 11/10 4/255.11

(Continued)

*Primary Examiner* — Michelle E. Wilson

(74) *Attorney, Agent, or Firm* — Parlee McLaws LLP;  
Susan Rancourt

(57) **CLAIM**

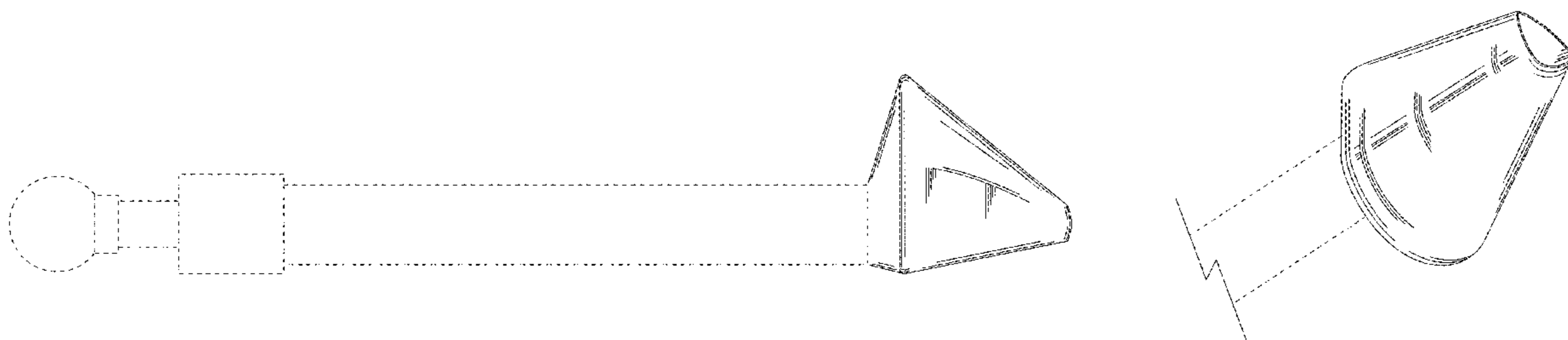
The ornamental design for a toilet plunger head, as shown and described.

**DESCRIPTION**

FIG. 1 is a side elevation view of the toilet plunger head in context of an assembled toilet plunger;  
 FIG. 2 is a front perspective view of the toilet plunger head;  
 FIG. 3 is a top plan view of the toilet plunger head of FIG. 1;  
 FIG. 4 is a bottom plan view of the toilet plunger head of FIG. 1;  
 FIG. 5 is a rear end plan view of the toilet plunger head of FIG. 1;  
 FIG. 6 is a front end plan view of the toilet plunger head of FIG. 1;  
 FIG. 7 is a left side view of the toilet plunger head of FIG. 1; and,  
 FIG. 8 is a right side view of the toilet plunger head of FIG. 1.

The design consists of the features of shape, configuration, pattern, and ornamentation of the toilet plunger head or a combination of any of these features, as shown in the drawings. The portions shown with dashed lines do not form part of the design and are included for the purpose of illustrating non-design portions of the article that are part of the article but not part of the design.

**1 Claim, 3 Drawing Sheets**



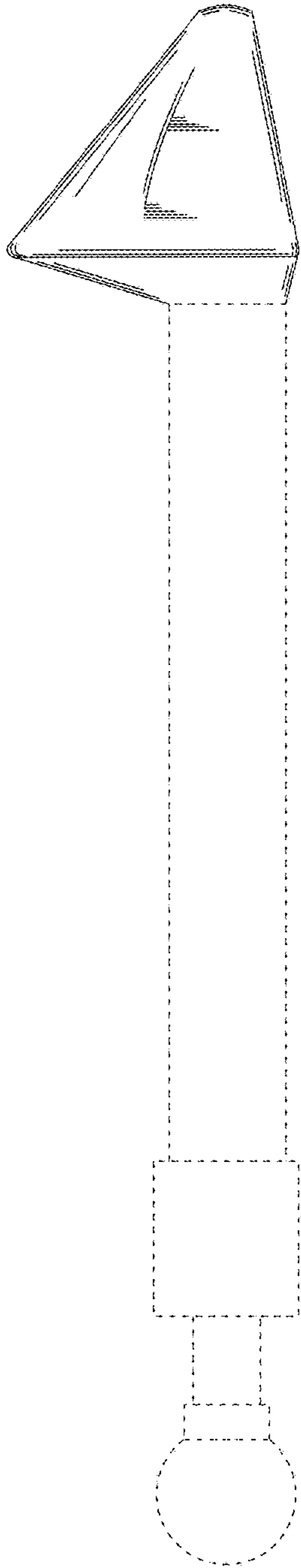
(56)

**References Cited**

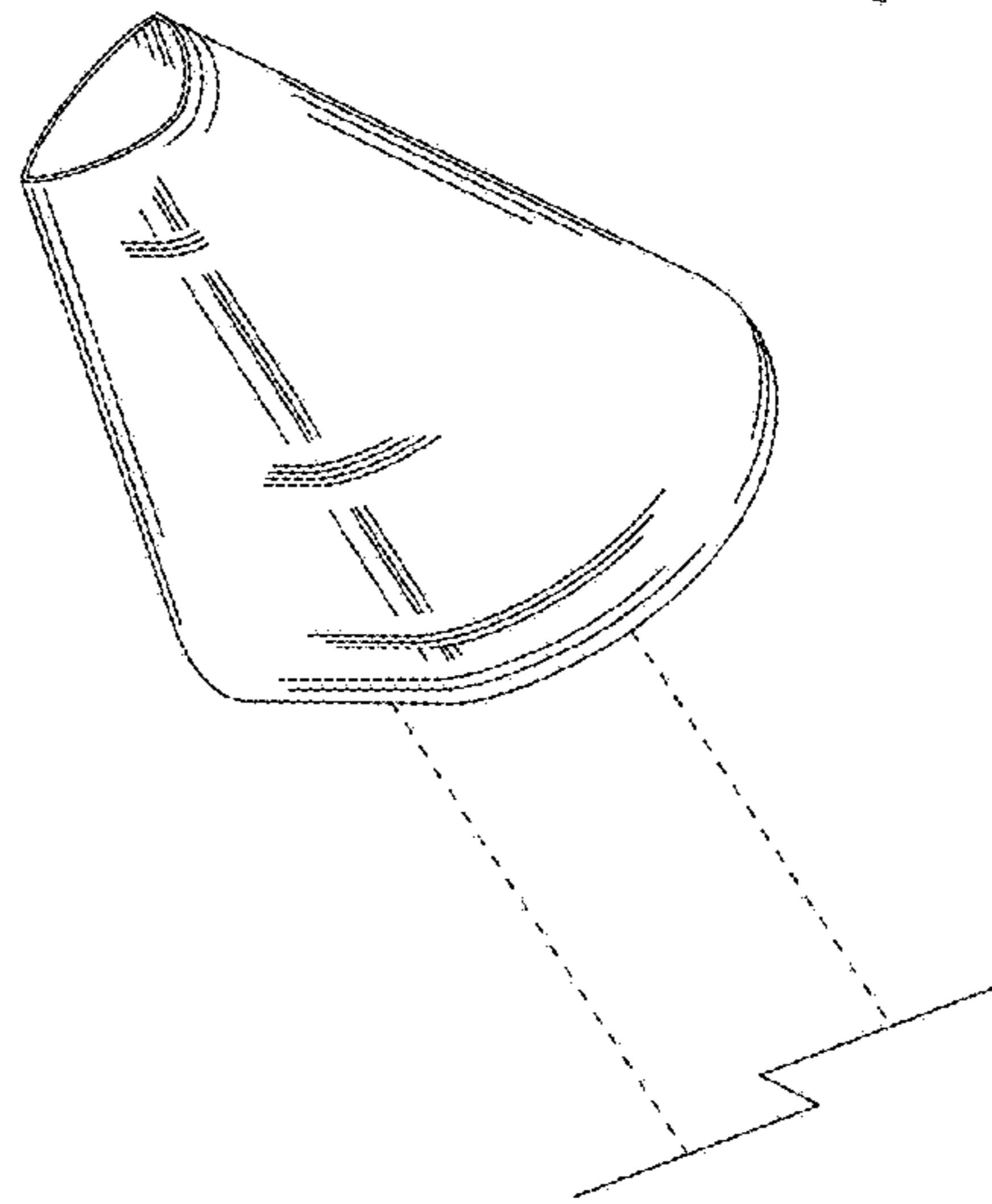
U.S. PATENT DOCUMENTS

2013/0125298 A1\* 5/2013 Guthrie ..... E03D 9/00  
4/255.11  
2014/0033419 A1\* 2/2014 Daciw ..... E03C 1/308  
4/255.11  
2014/0075661 A1\* 3/2014 Zeng ..... E03D 9/00  
4/255.11  
2014/0115768 A1\* 5/2014 Wang ..... E03D 9/00  
4/255.11  
2015/0240466 A1\* 8/2015 Schultz ..... A47K 11/10  
4/255.11  
2016/0298322 A1\* 10/2016 Zavala ..... E03D 11/00

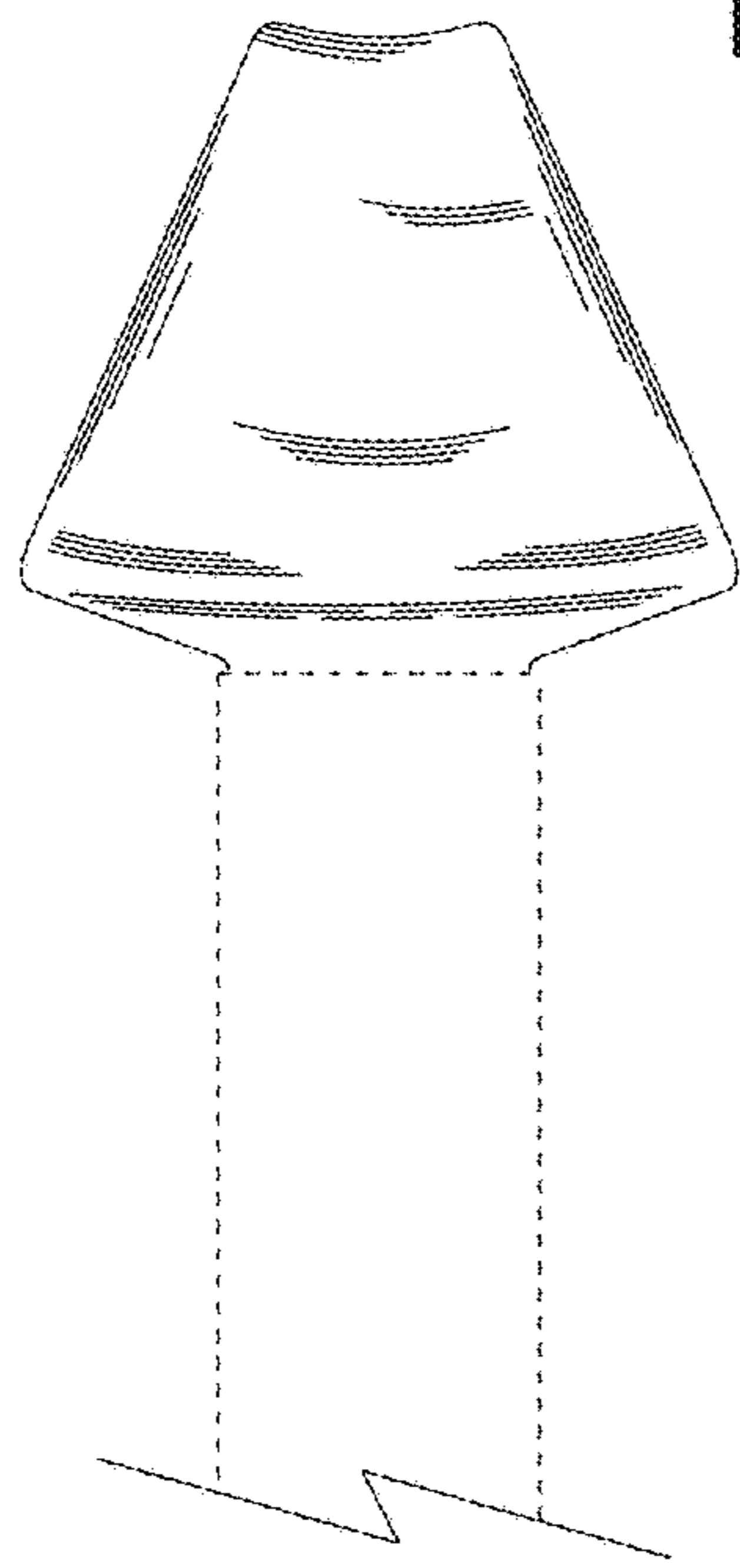
\* cited by examiner



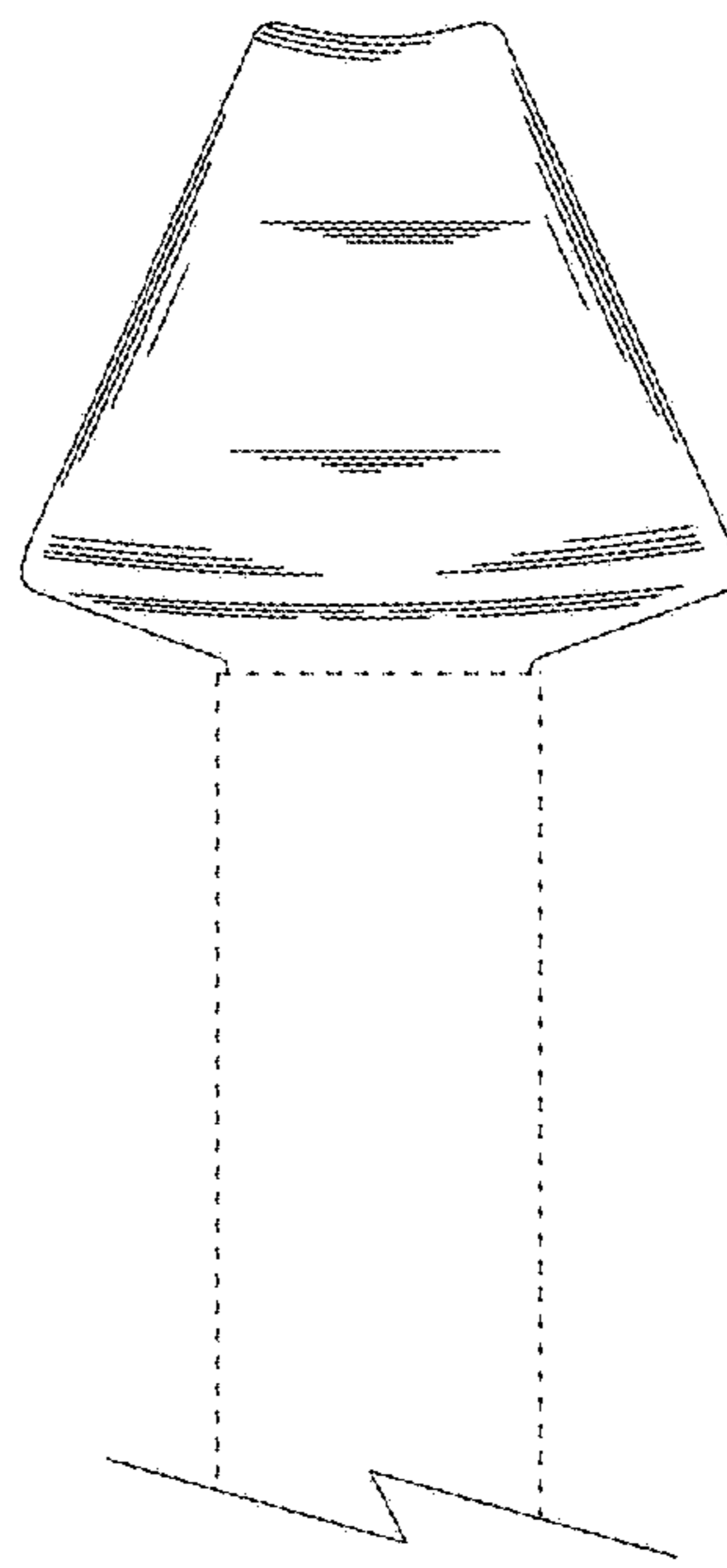
**Fig. 1**



**Fig. 2**



**Fig. 3**



**Fig. 4**

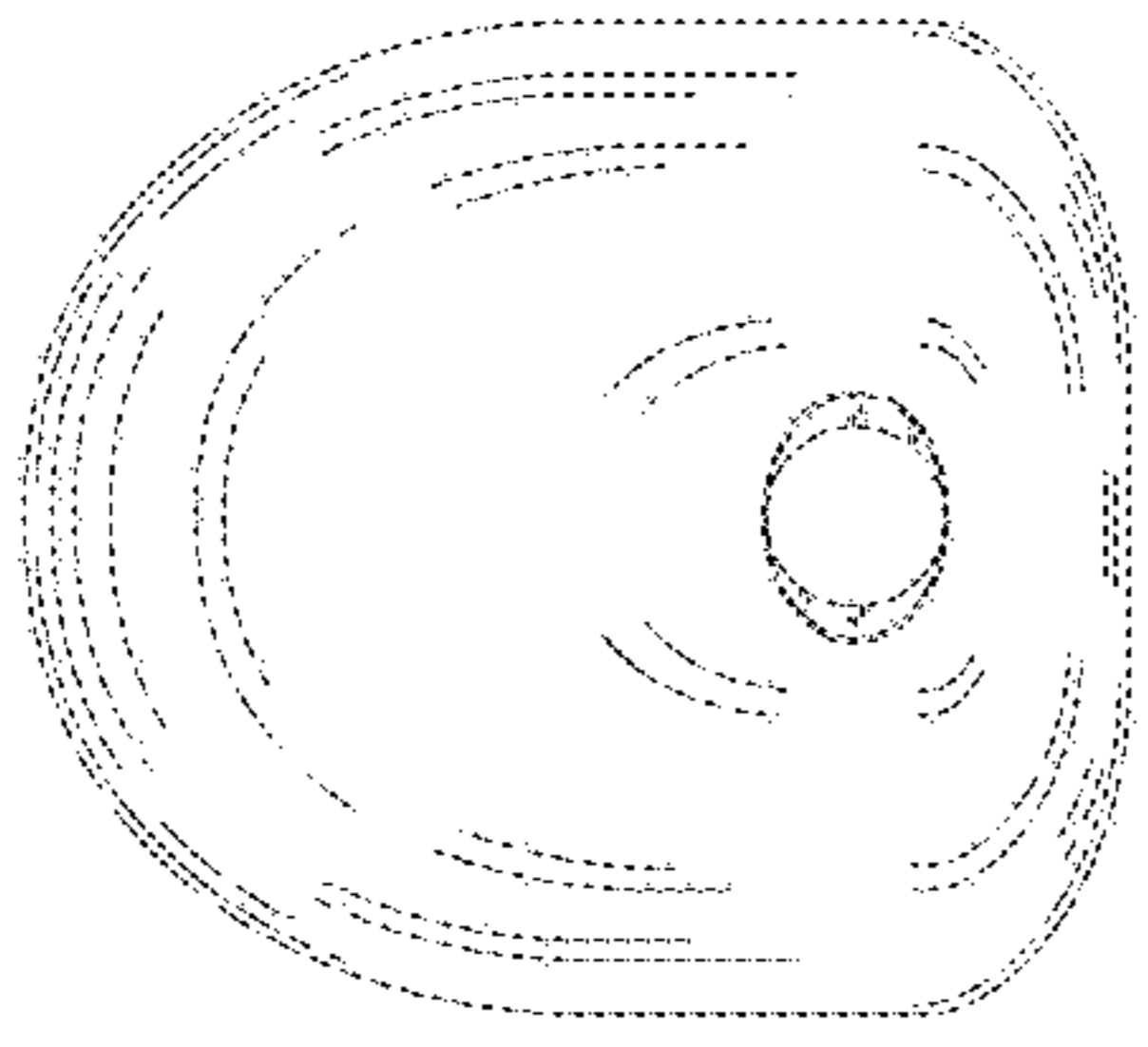


Fig. 5

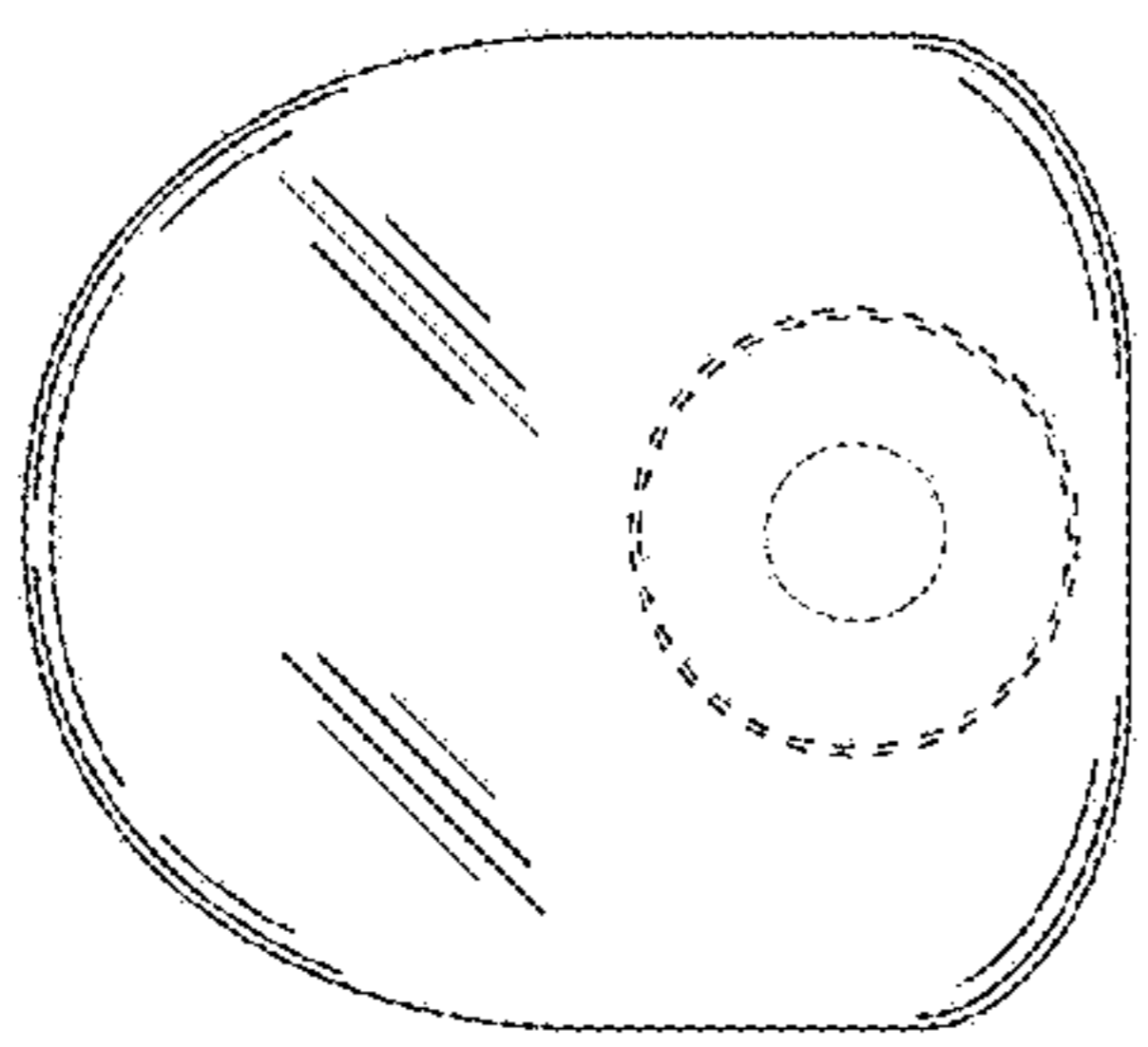


Fig. 6

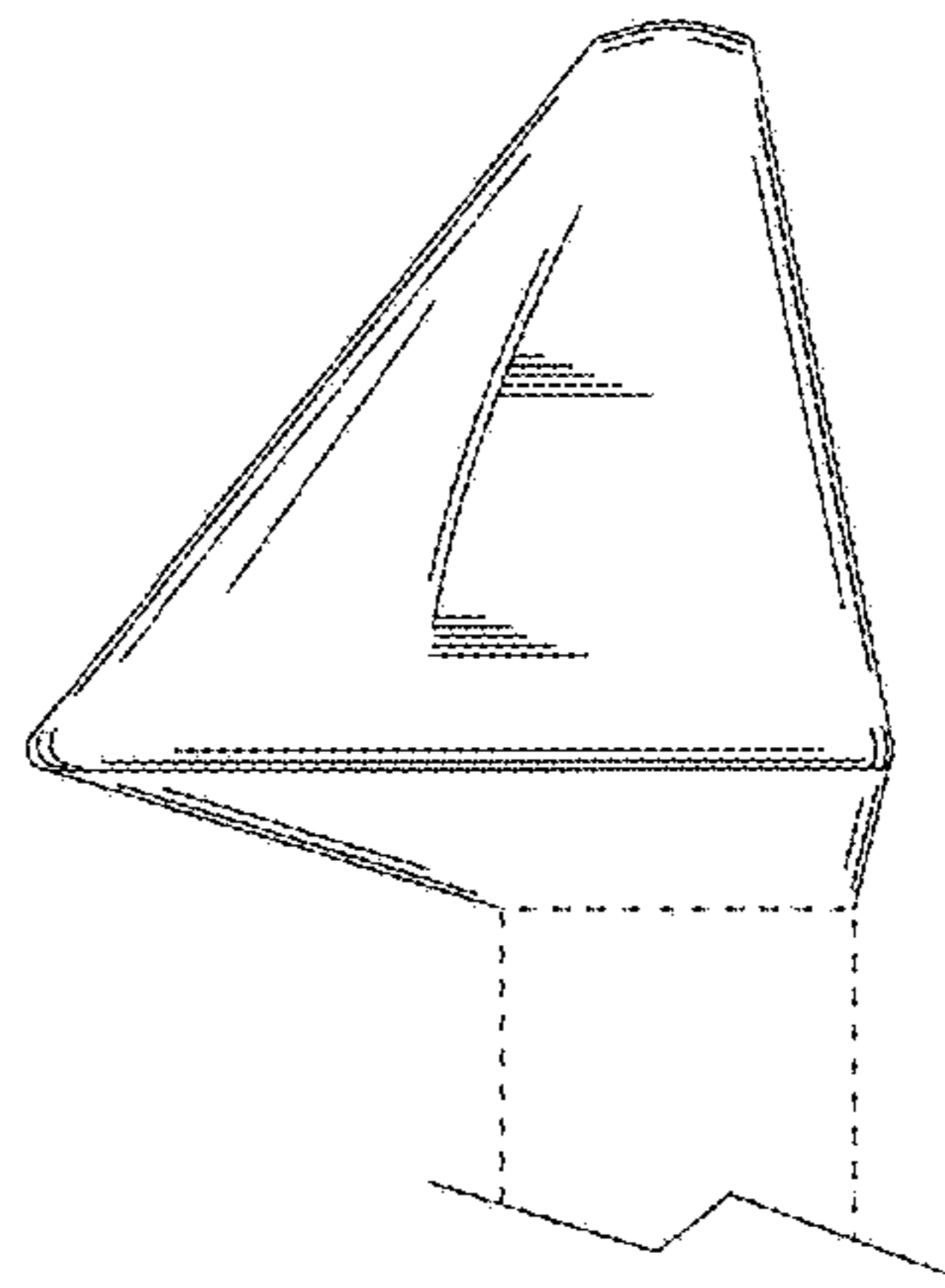


Fig. 7

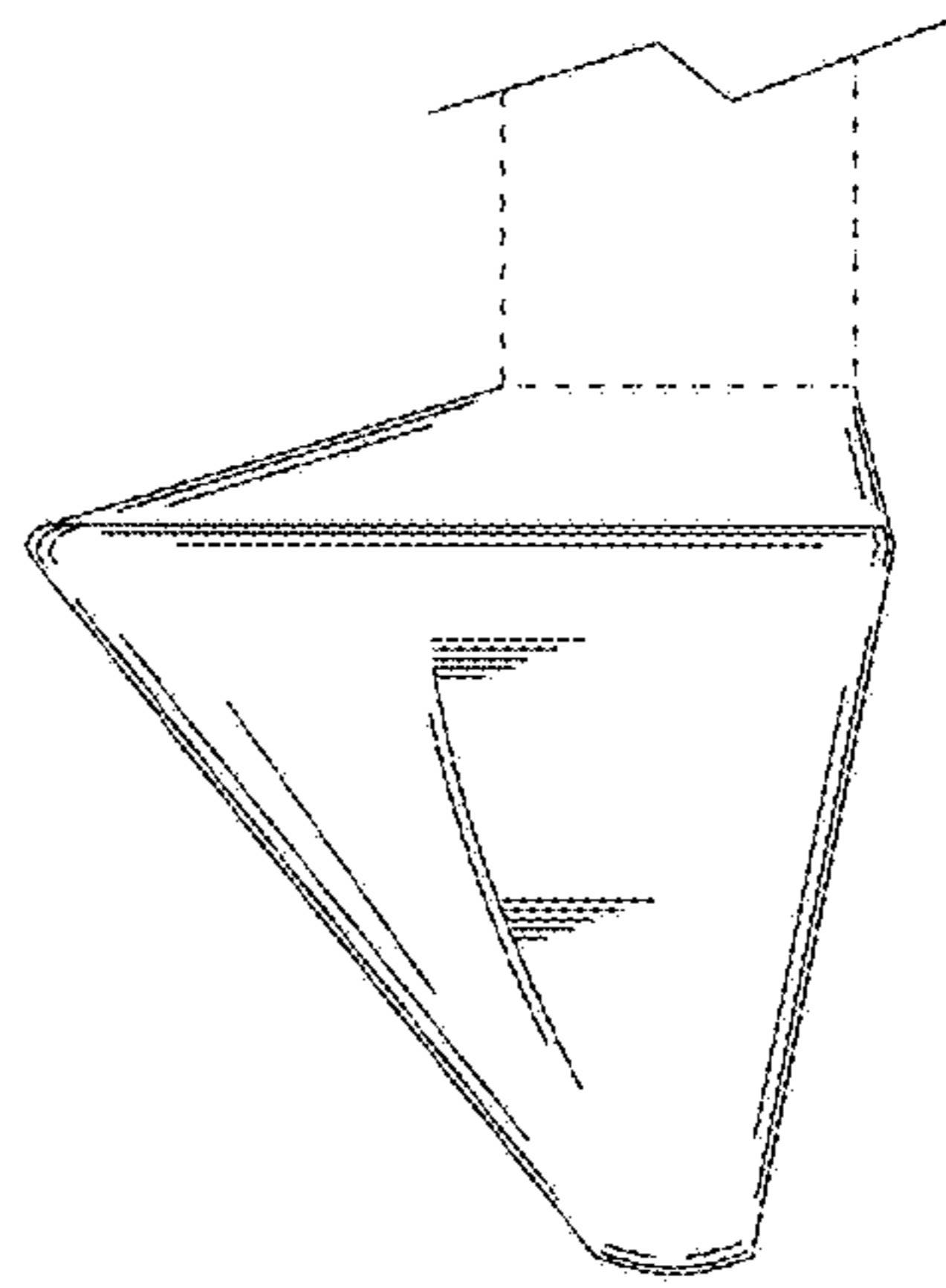


Fig. 8