



US00D861260S

(12) **United States Design Patent** (10) **Patent No.:** **US D861,260 S**
Cunniff (45) **Date of Patent:** **** Sep. 24, 2019**

(54) **PET MASSAGER**

(71) Applicant: **Massage For Pets LLC**, New York, NY (US)

(72) Inventor: **Kyle Cunniff**, Alamosa, CO (US)

(73) Assignee: **Massage For Pets LLC**, New York, NY (US)

(**) Term: **15 Years**

(21) Appl. No.: **29/625,355**

(22) Filed: **Nov. 9, 2017**

(51) **LOC (12) Cl.** **30-99**

(52) **U.S. Cl.**

USPC **D30/199**; D30/158; D24/211; D24/215

(58) **Field of Classification Search**

USPC D30/158, 160, 199, 121; D24/200, 209, D24/211–215; 601/125–132, 113, 118, 601/133, 135, 134, 137, 136; 607/96; 606/180; 119/707–711, 51.01, 51.11, 119/51.13, 51.15; D21/713, 505, 398, D21/386, 498, 479, 499, 707; D14/233; D19/1, 61; 434/214, 278; 211/1; 273/155; 342/8; 428/66.5, 9; 446/199, 446/92, 85; 473/569; D3/271.1; D9/430, 651; D11/117, 121, 124, 130, D11/131, 141, 184

CPC A01K 13/00; A01K 29/00; A01K 5/02; A01K 5/0233; A01K 5/0241; A01K 5/025; A01K 5/0275; A01K 5/0283; A01K 5/0291; A01K 15/00; A01K 15/02; A01K 15/025; A01K 15/026; A61H 15/00; A61H 15/0085; A61H 15/0092; A61H 15/02; A61H 2015/0042; A61H 2015/005; A61H 2015/0057; A61H 2015/0064; A61H 23/0263

See application file for complete search history.

(56) **References Cited**

U.S. PATENT DOCUMENTS

D197,750 S *	3/1964	Rosenberg	D24/211
D309,660 S *	7/1990	Saguin	D24/211
D378,539 S *	3/1997	Scott	D24/211
D403,076 S *	12/1998	York	D24/214
D454,644 S *	3/2002	York	D24/214
D472,643 S *	4/2003	Zake	D24/211
D502,264 S *	2/2005	Timmer	D24/211
D507,057 S *	7/2005	Timmer	D24/211
D535,752 S *	1/2007	Smith	D24/214
D545,974 S *	7/2007	Nan	D11/121
D569,005 S *	5/2008	York	D24/214
D582,563 S *	12/2008	Ferber	D24/214
D596,306 S *	7/2009	Levine	D24/214
D667,131 S *	9/2012	Faussett	D24/215
D716,962 S *	11/2014	Viner	A61H 15/00
				D24/215
D762,309 S *	7/2016	Cohen	D24/211
D765,873 S *	9/2016	Hetzel	D24/214
D806,889 S *	1/2018	Holland	D24/211

(Continued)

Primary Examiner — Susan Moon Lee

(74) *Attorney, Agent, or Firm* — Kirschstein, Israel, Schiffmiller & Pieroni, P.C.

(57) **CLAIM**

The ornamental design for a pet massager, as shown.

DESCRIPTION

FIG. 1 is a perspective view of a pet massager as seen from above according to my new design.

FIG. 2 is a perspective view thereof as seen from below.

FIG. 3 is a right side elevational view thereof.

FIG. 4 is a left side elevational view thereof.

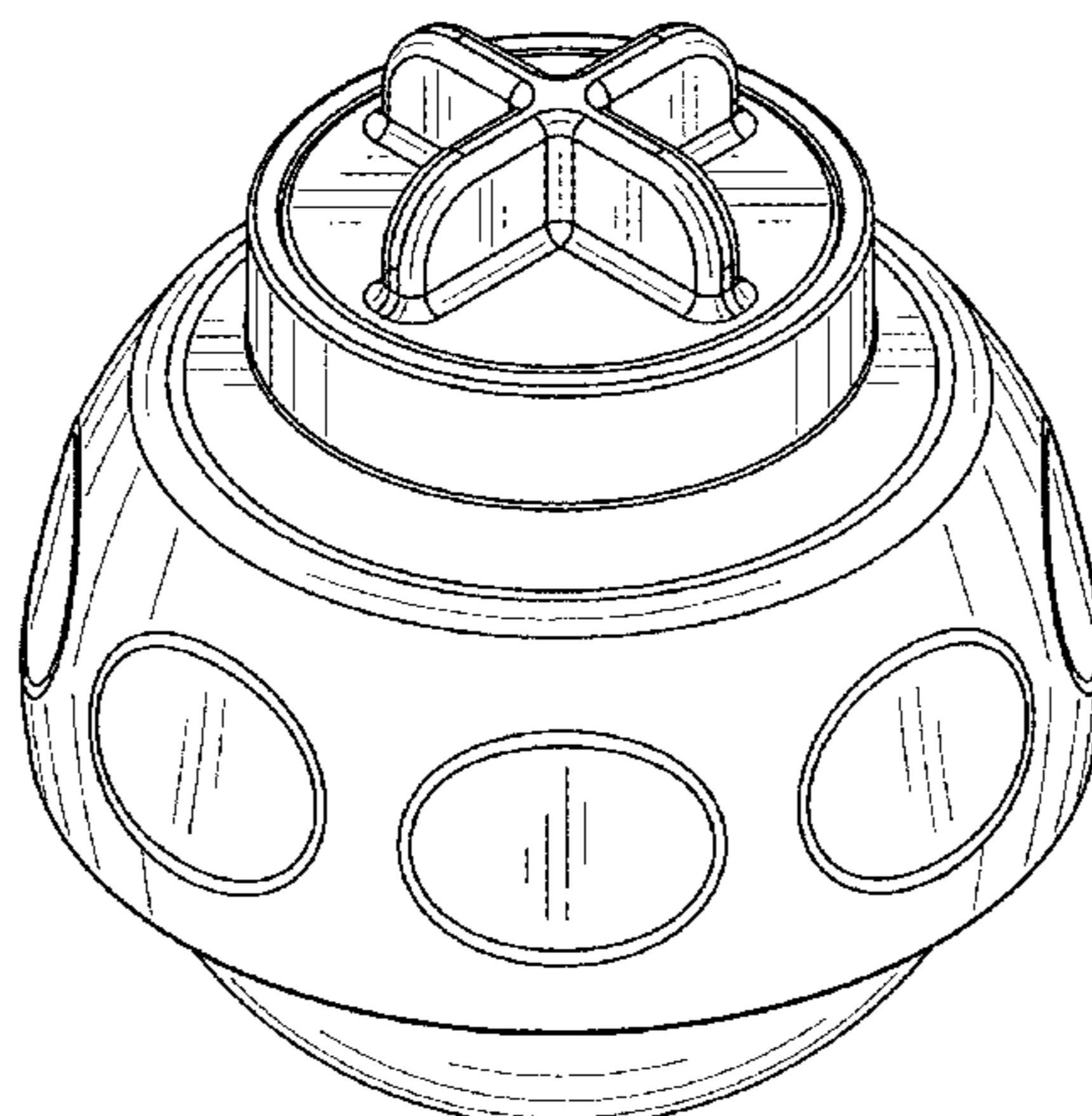
FIG. 5 is a front elevational view thereof.

FIG. 6 is a rear elevational view thereof.

FIG. 7 is a top plan view thereof; and,

FIG. 8 is a bottom plan view thereof.

1 Claim, 8 Drawing Sheets



(56)

References Cited

U.S. PATENT DOCUMENTS

D829,334 S * 9/2018 Hardof D24/211
D848,631 S * 5/2019 Reay D24/211
2010/0062915 A1* 3/2010 LaSala A61H 15/0092
482/127
2014/0336550 A1* 11/2014 Zedaker A61H 7/007
601/131
2015/0223970 A1* 8/2015 Holland A61F 7/10
601/19
2016/0279017 A1* 9/2016 Hyder A61H 15/00
2018/0161235 A1* 6/2018 Chen A61H 15/02
2018/0243160 A1* 8/2018 Loughrey A61H 15/0092

* cited by examiner

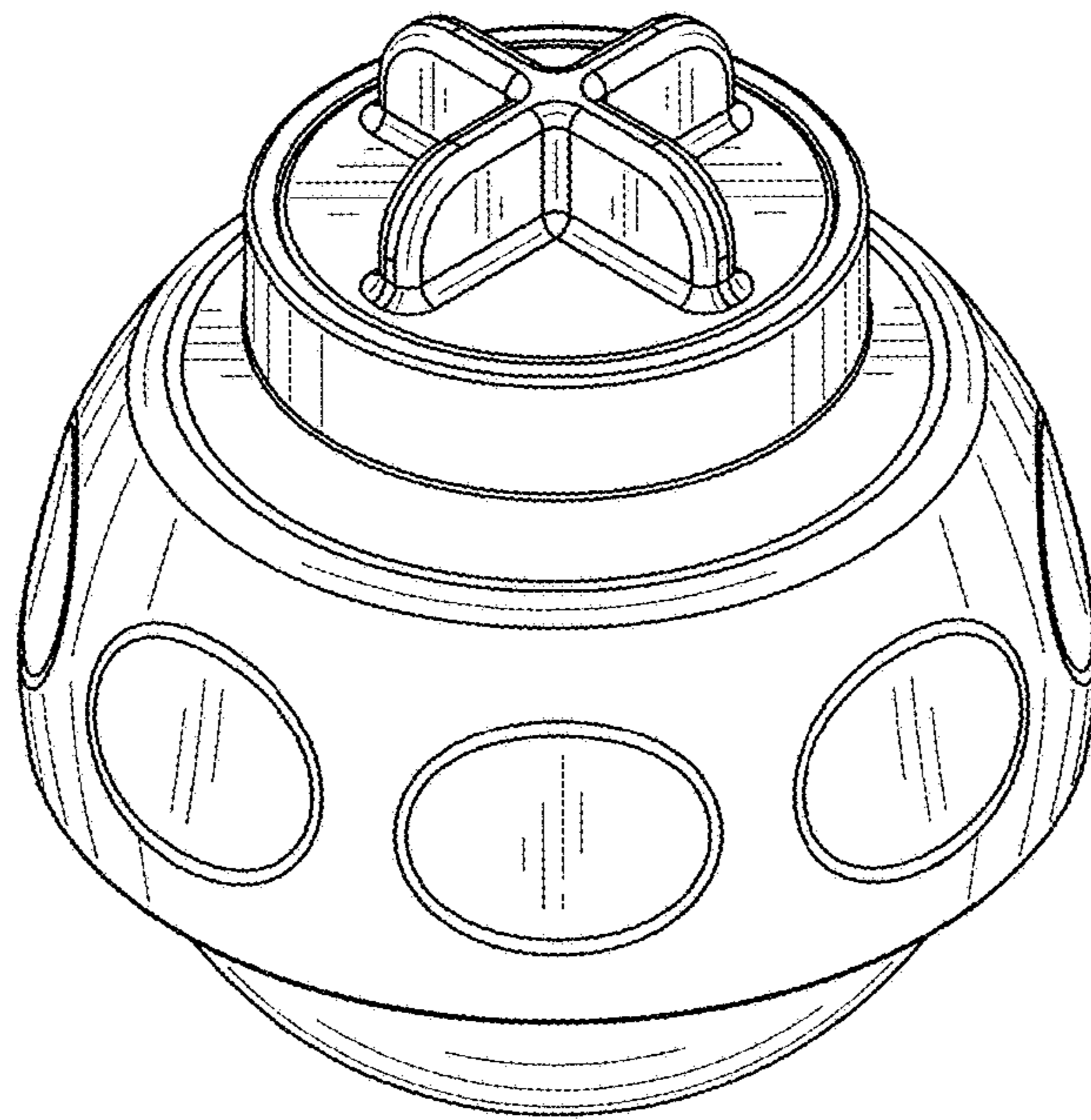


FIG. 1

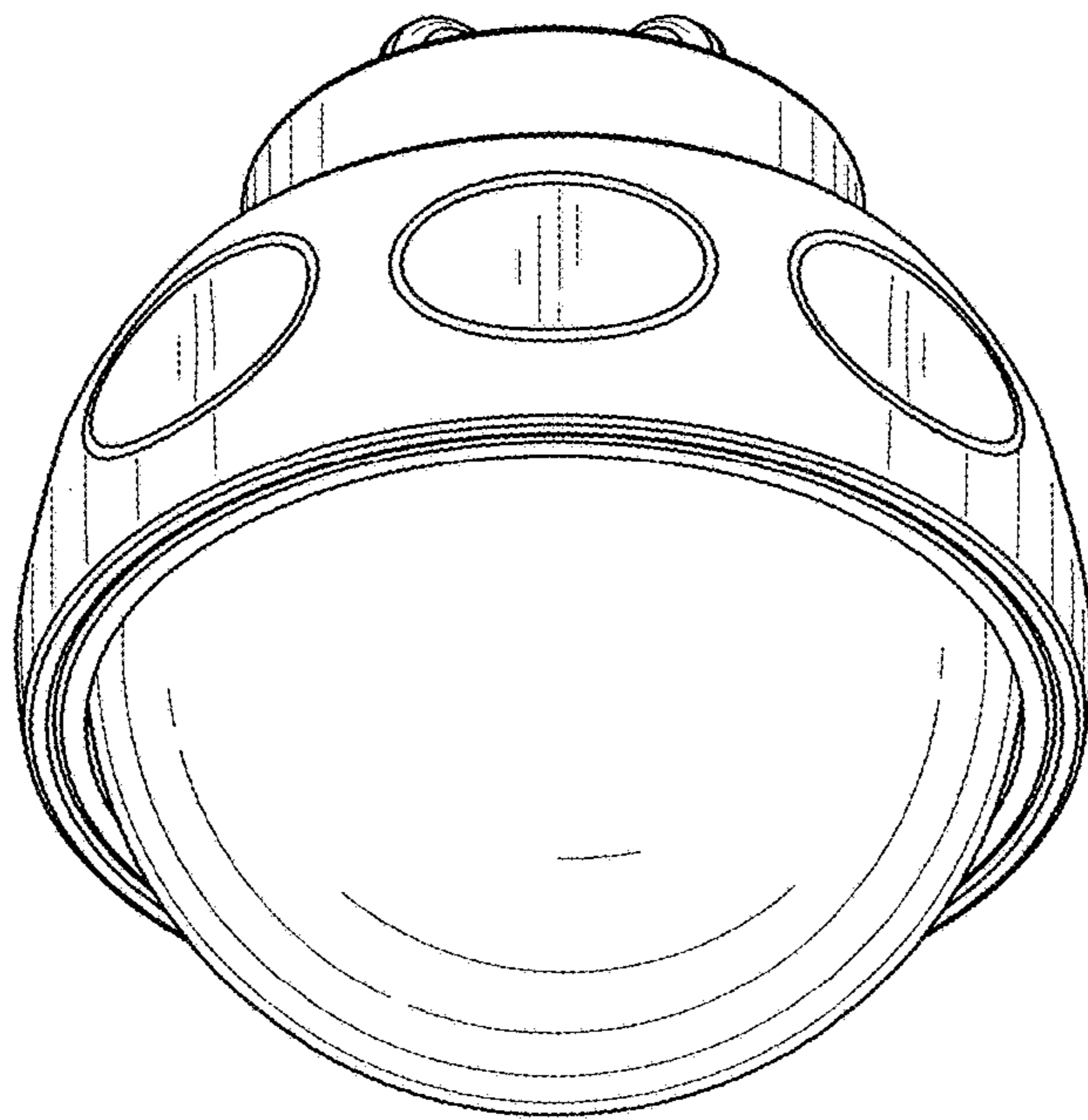


FIG. 2

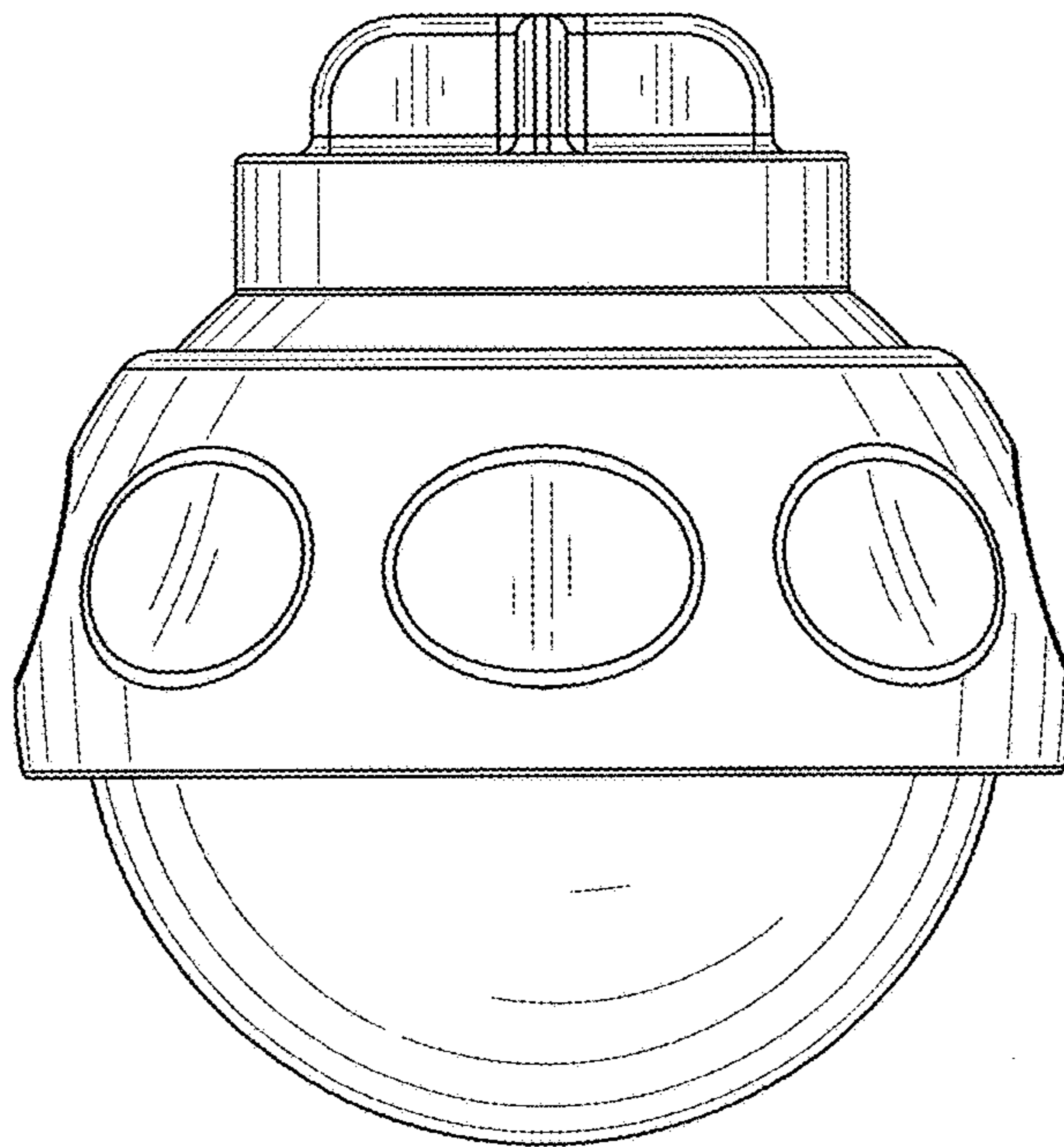


FIG. 3

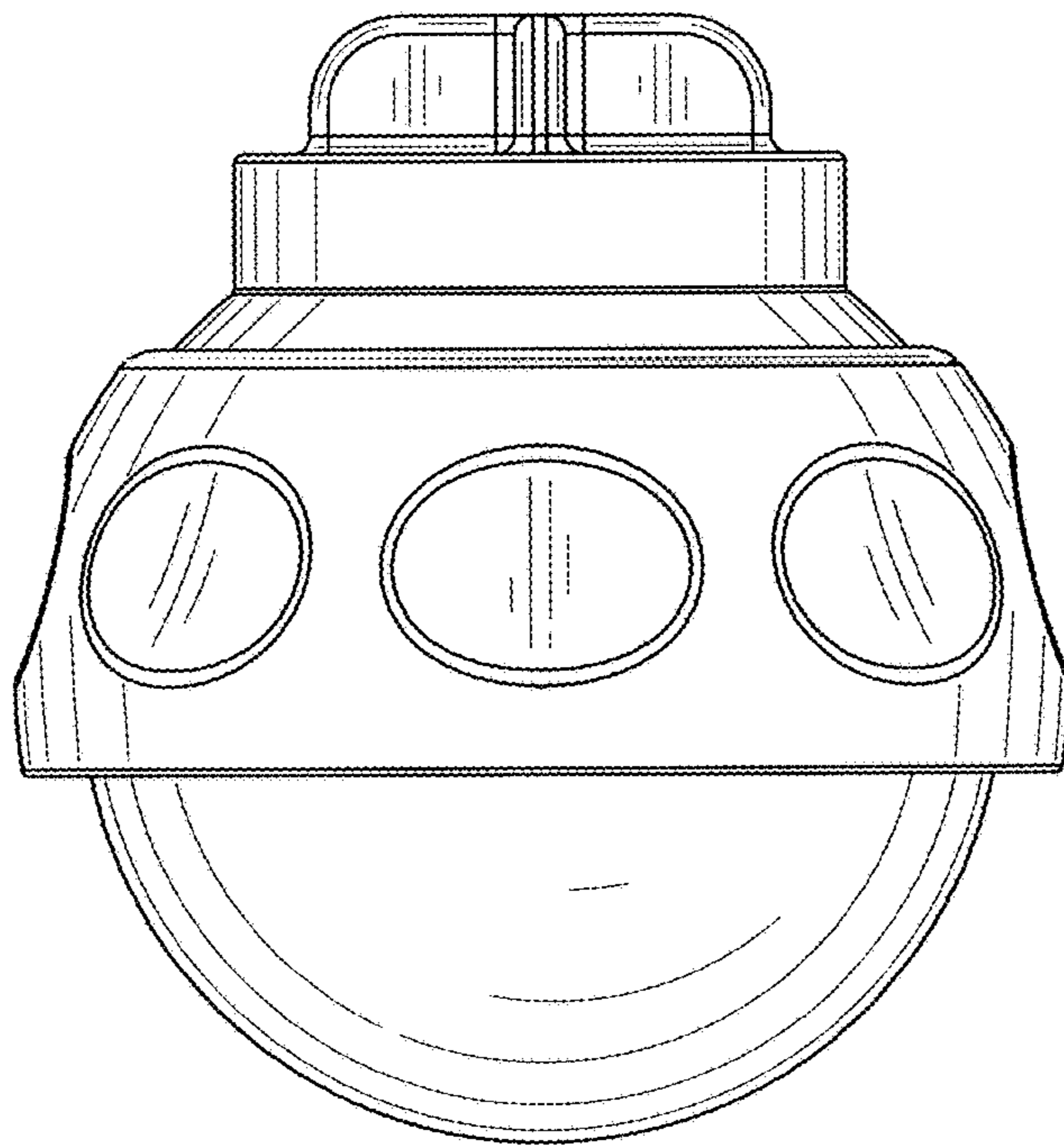


FIG. 4

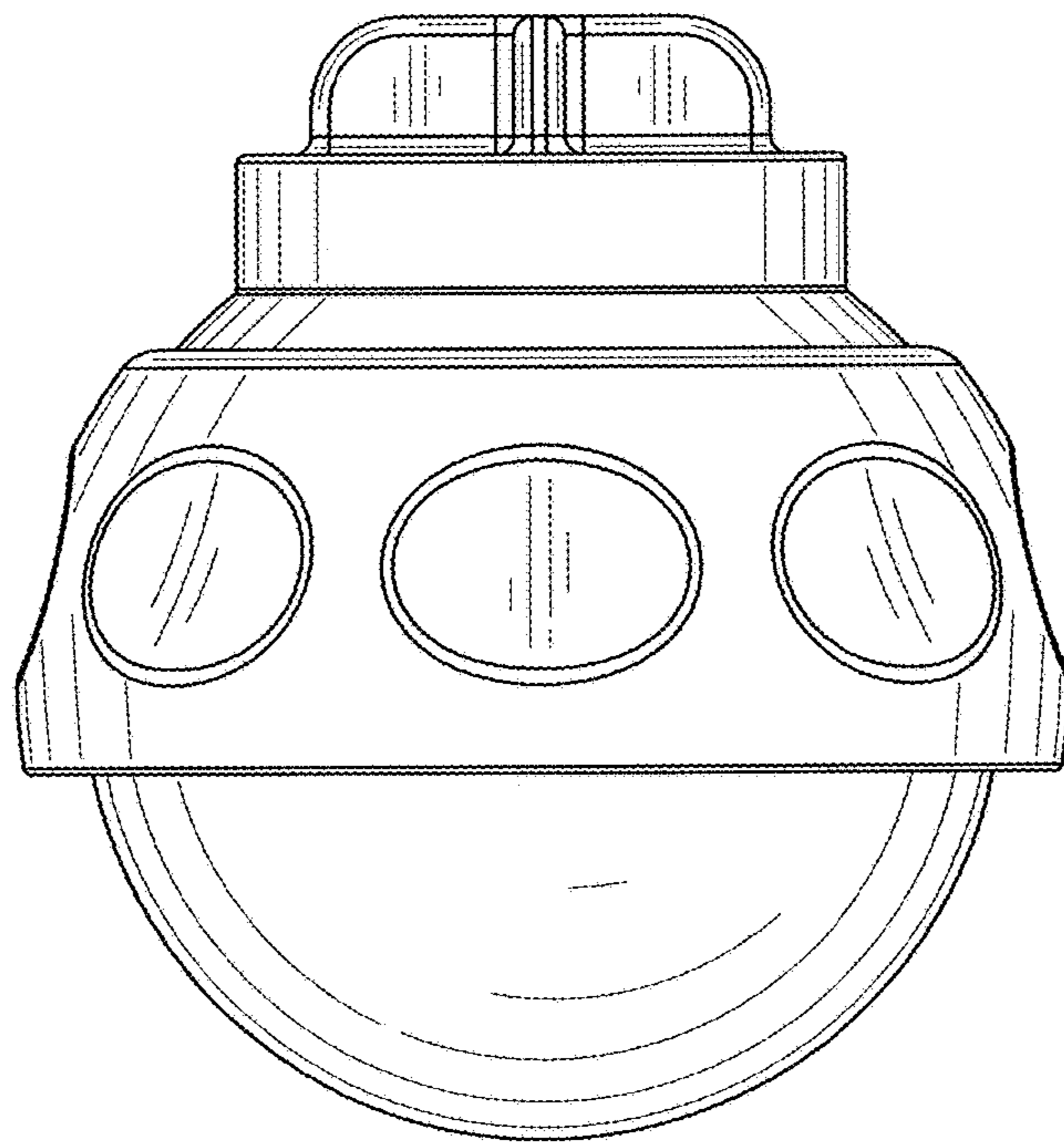


FIG. 5

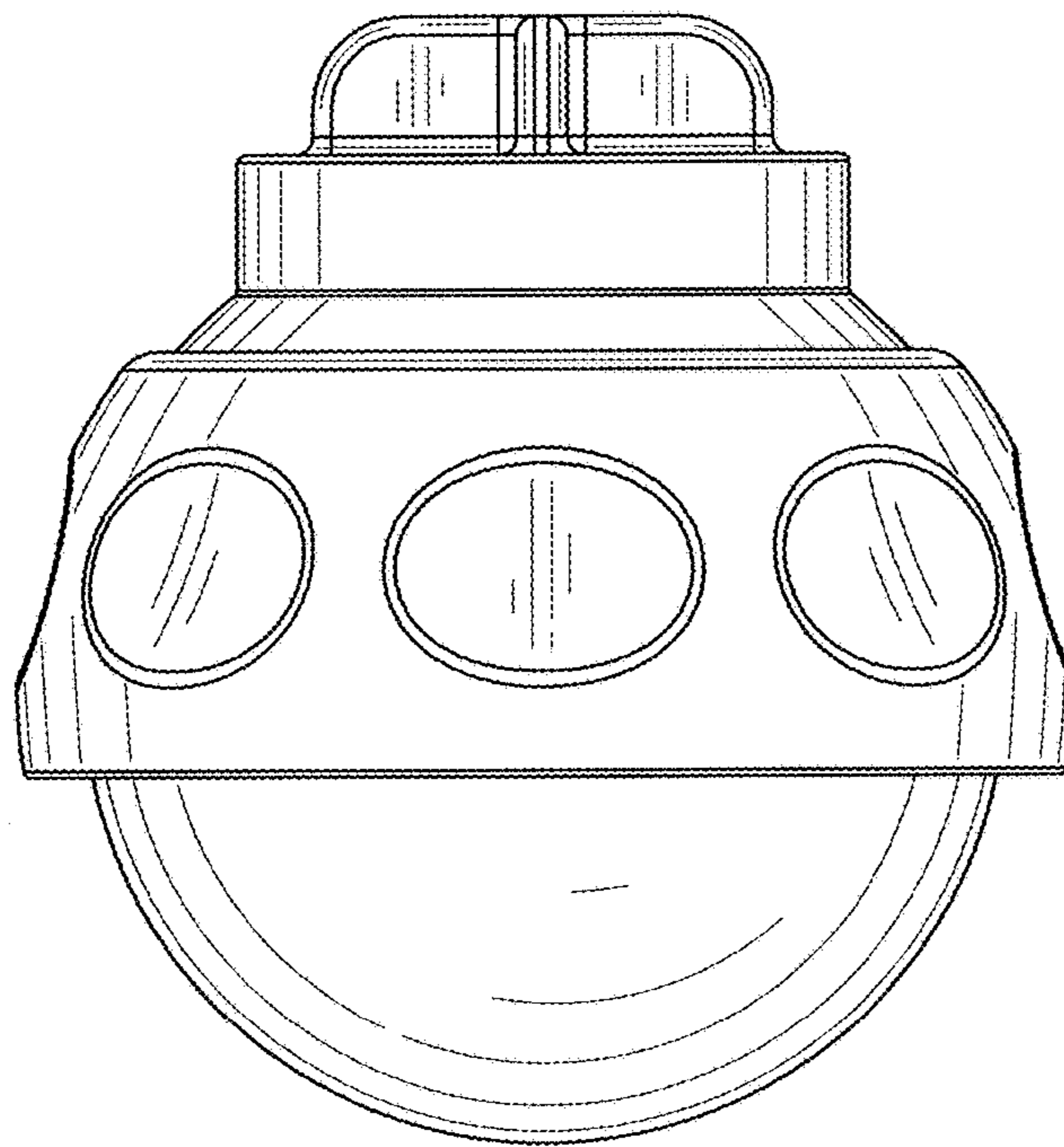


FIG. 6

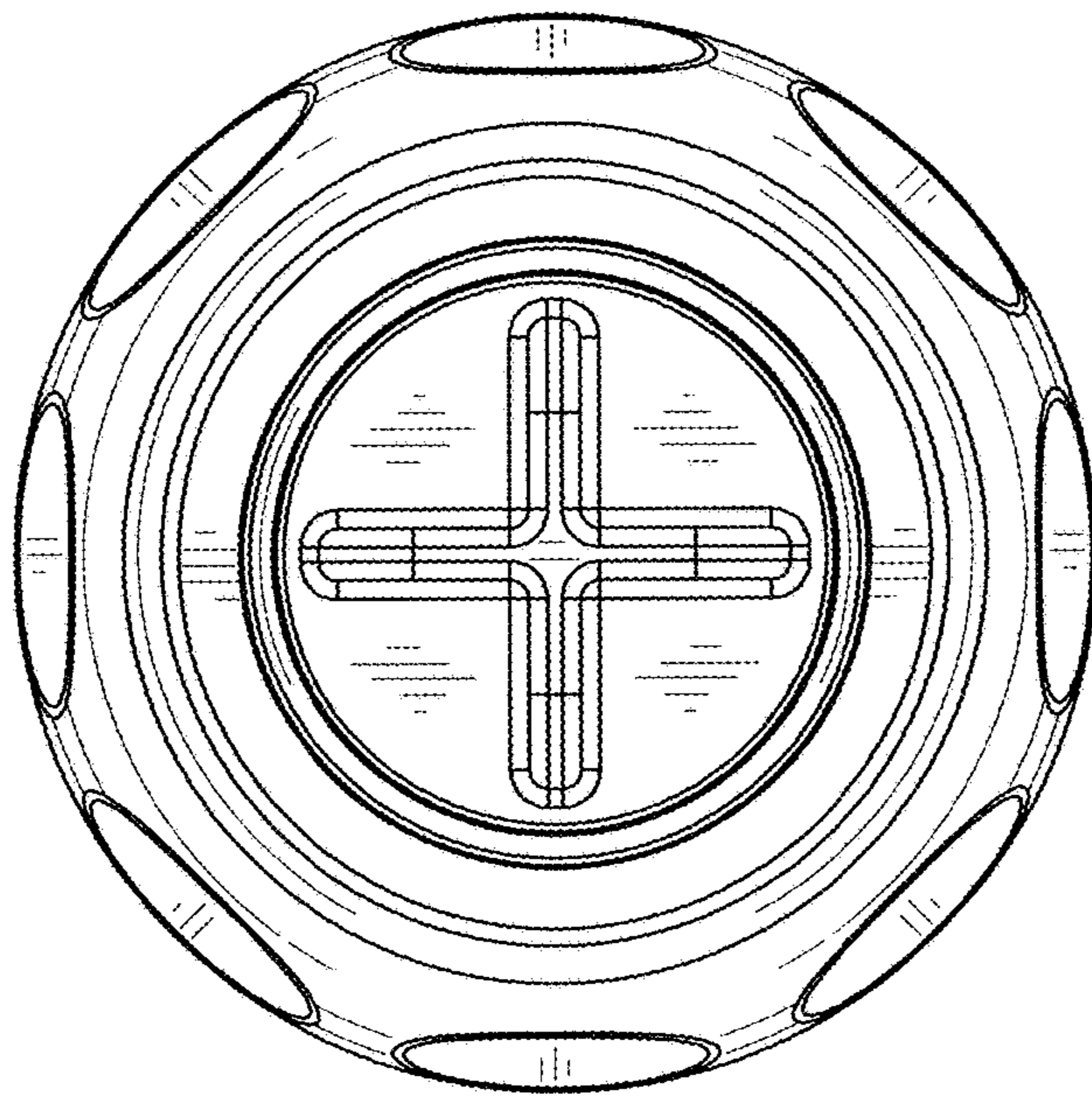


FIG. 7

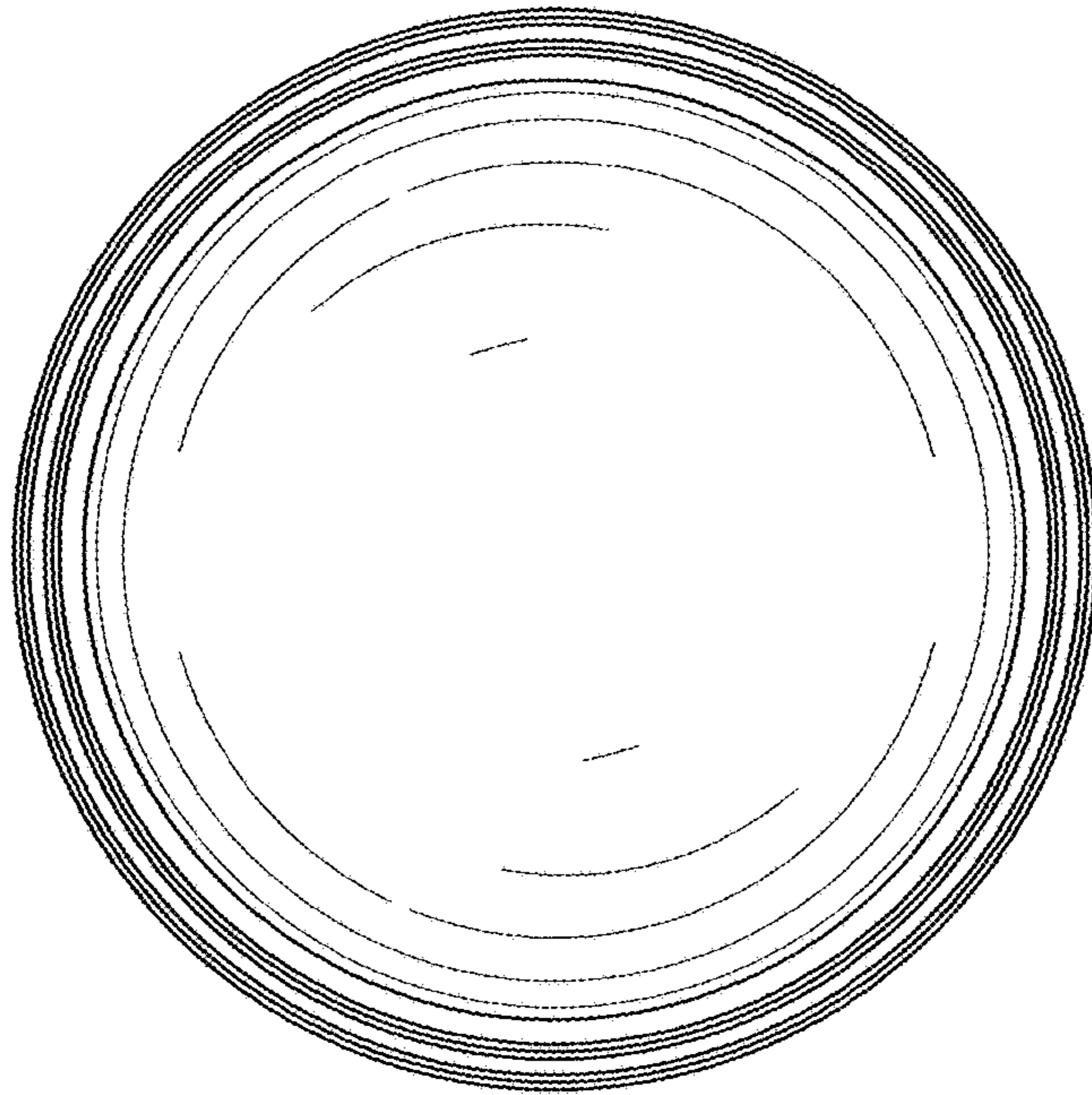


FIG. 8