



US00D861259S

(12) **United States Design Patent**
Dong

(10) **Patent No.:** **US D861,259 S**

(45) **Date of Patent:** **** Sep. 24, 2019**

(54) **DOG TRAINING DEVICE**

(71) Applicant: **Fuliang Dong**, Shenzhen (CN)

(72) Inventor: **Fuliang Dong**, Shenzhen (CN)

(**) Term: **15 Years**

(21) Appl. No.: **29/618,928**

(22) Filed: **Sep. 26, 2017**

(51) **LOC (12) Cl.** **30-04**

(52) **U.S. Cl.**

USPC **D30/152**; D30/199

(58) **Field of Classification Search**

USPC D30/152, 199; D11/79, 86, 87, 200–201,
D11/206–210, 214–216, 222–223, 226,
D11/230–238; D10/30, 40, 70, 50, 52,
D10/60, 61, 104.1, 104.2; D14/344, 242,
D14/203.1, 203.3, 203.5; D24/186, 191;
D2/321, 624, 627, 639–640; D16/208,
D16/219, 201; 119/863; 24/178

CPC A01K 11/006; A01K 11/008; A01K 13/00;
A01K 15/021; A01K 15/022; A01K
27/00; A01K 27/001; A01K 27/005;
A01K 27/009; A01K 27/008; A01K
27/006; A01K 29/00

See application file for complete search history.

(56) **References Cited**

U.S. PATENT DOCUMENTS

D330,173 S *	10/1992	Juliana	D30/152
D336,055 S *	6/1993	Juliana	D30/152
D400,458 S *	11/1998	Titus	D10/104.1
D410,206 S *	5/1999	Slater	D10/104.1
D442,714 S *	5/2001	Warden	D26/38
D444,599 S *	7/2001	Guerry, Jr.	D20/27
D445,352 S *	7/2001	So	D30/199
D473,481 S *	4/2003	So	D10/104.1
D478,830 S *	8/2003	So	D30/152
D478,831 S *	8/2003	So	D10/104.1
D482,979 S *	12/2003	So	D10/104.1

D526,590 S *	8/2006	So	D10/104.1
D683,915 S *	6/2013	So	D30/152
D708,797 S *	7/2014	MacDonald	D30/199
D798,003 S *	9/2017	Dong	D30/199
9,861,080 B1 *	1/2018	Hathway	A01K 27/009
D811,016 S *	2/2018	Liu	D30/152
D816,918 S *	5/2018	Li	D30/152
D822,516 S *	7/2018	Van Curen	D10/104.1
D822,921 S *	7/2018	Wen	D30/199
D822,922 S *	7/2018	Wen	D30/199
D846,817 S *	4/2019	Li	D30/152
D850,732 S *	6/2019	Dong	D30/152
D850,733 S *	6/2019	Dong	D30/152

(Continued)

FOREIGN PATENT DOCUMENTS

CN	303892073	*	10/2016
CN	304446502	*	1/2018

Primary Examiner — Barbara Fox

Assistant Examiner — Mary Claire Ramirez

(74) *Attorney, Agent, or Firm* — W&K IP

(57) **CLAIM**

The ornamental design for a dog training device, as shown and described.

DESCRIPTION

FIG. 1 is a front elevational view of a dog training device showing my new design;

FIG. 2 is a rear elevational view thereof;

FIG. 3 is a left side view thereof;

FIG. 4 is a right side view thereof;

FIG. 5 is a top plan view thereof;

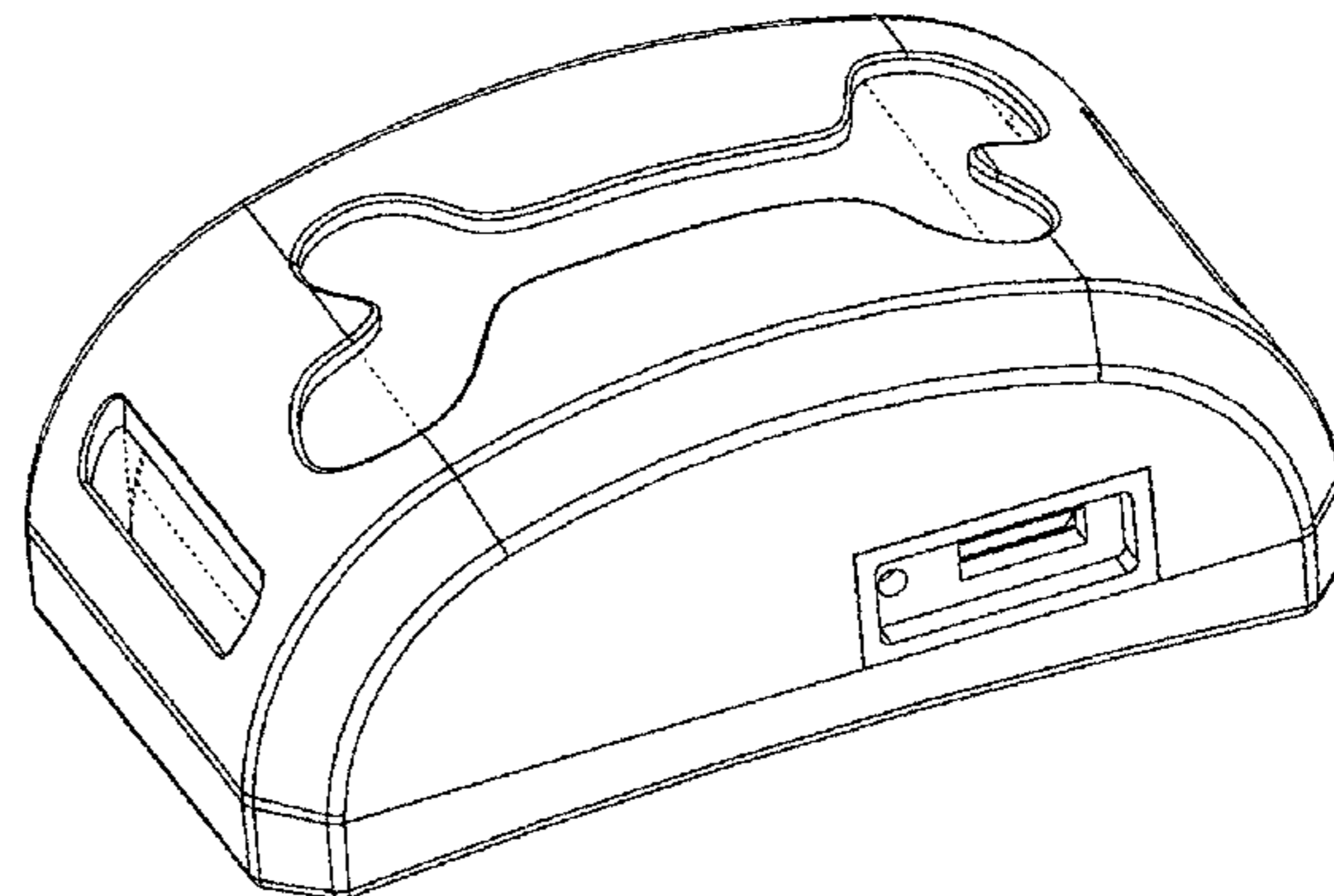
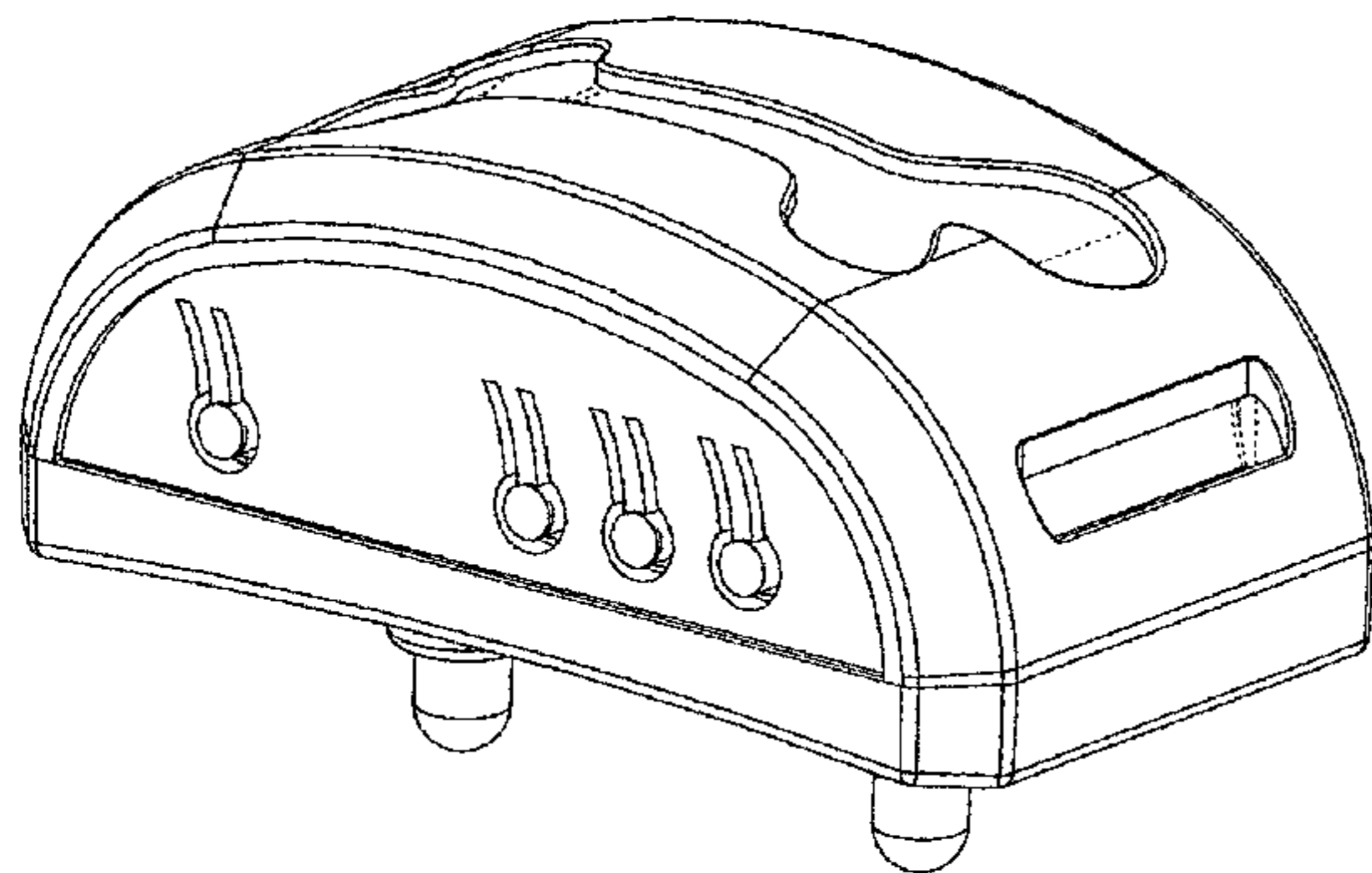
FIG. 6 is a bottom plan view thereof;

FIG. 7 is a top, front, right perspective view thereof; and,

FIG. 8 is a rear, top, right perspective view thereof.

The broken lines shown in the drawings depict portions of the dog training device and form no part of the claimed design.

1 Claim, 4 Drawing Sheets



(56)

References Cited

U.S. PATENT DOCUMENTS

2005/0145198 A1* 7/2005 Crist A01K 15/022
119/718
2009/0205583 A1* 8/2009 So A01K 15/021
119/719
2014/0320347 A1* 10/2014 Rochelle A01K 15/023
342/385
2017/0165531 A1* 6/2017 Lynch A63B 47/04
2018/0132450 A1* 5/2018 Goetzl A01K 27/009
2018/0249680 A1* 9/2018 Van Curen A01K 15/022

* cited by examiner

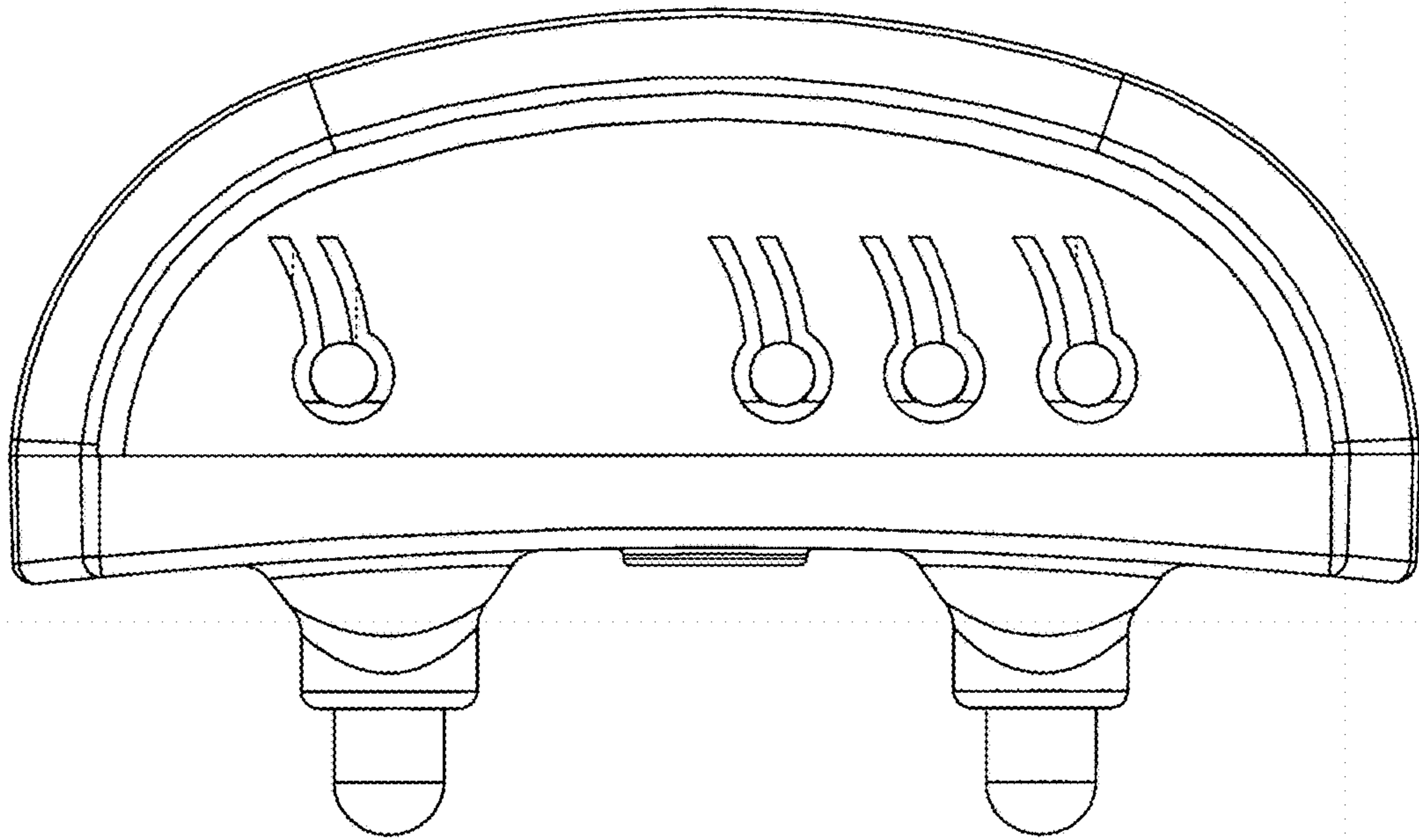


FIG. 1

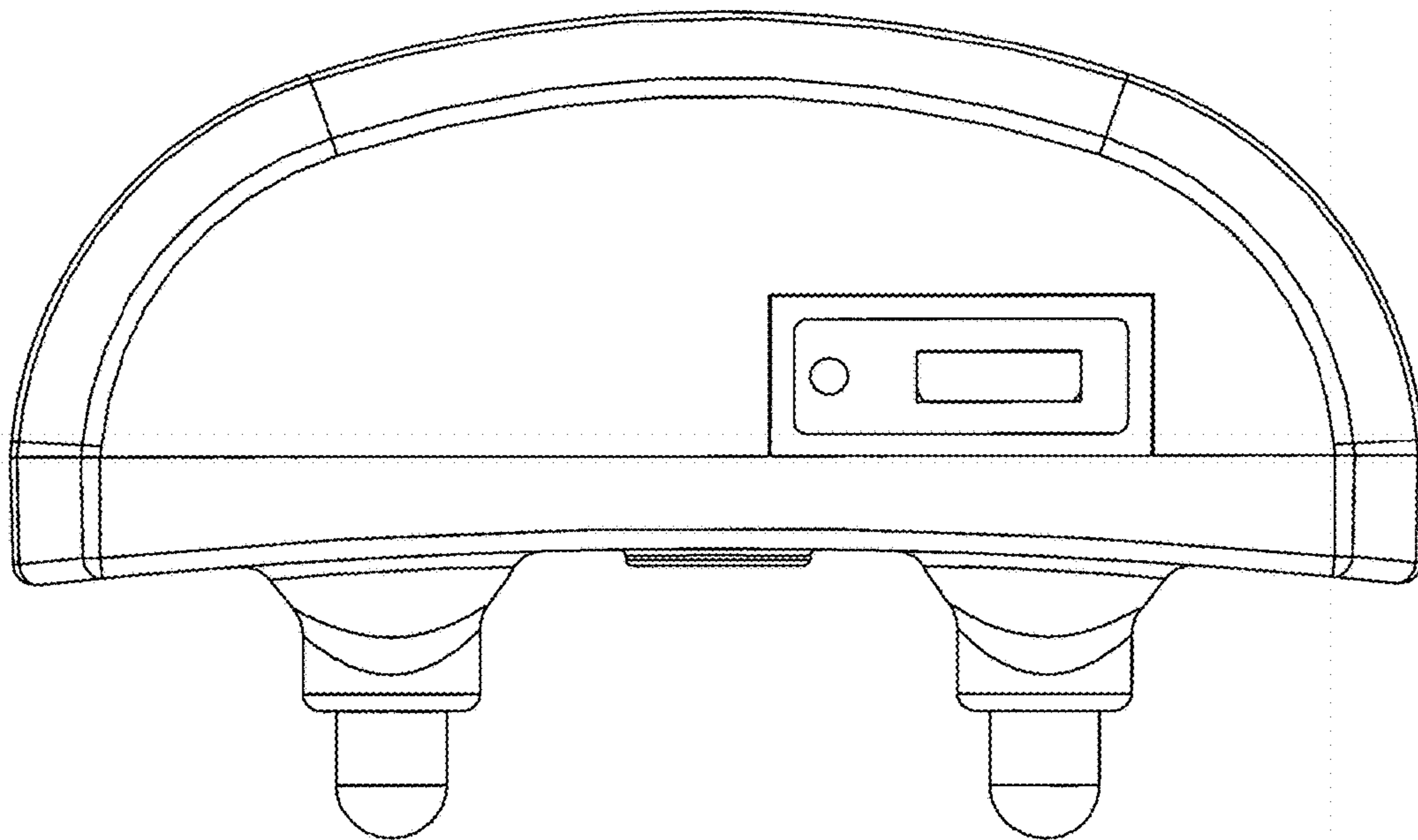


FIG. 2

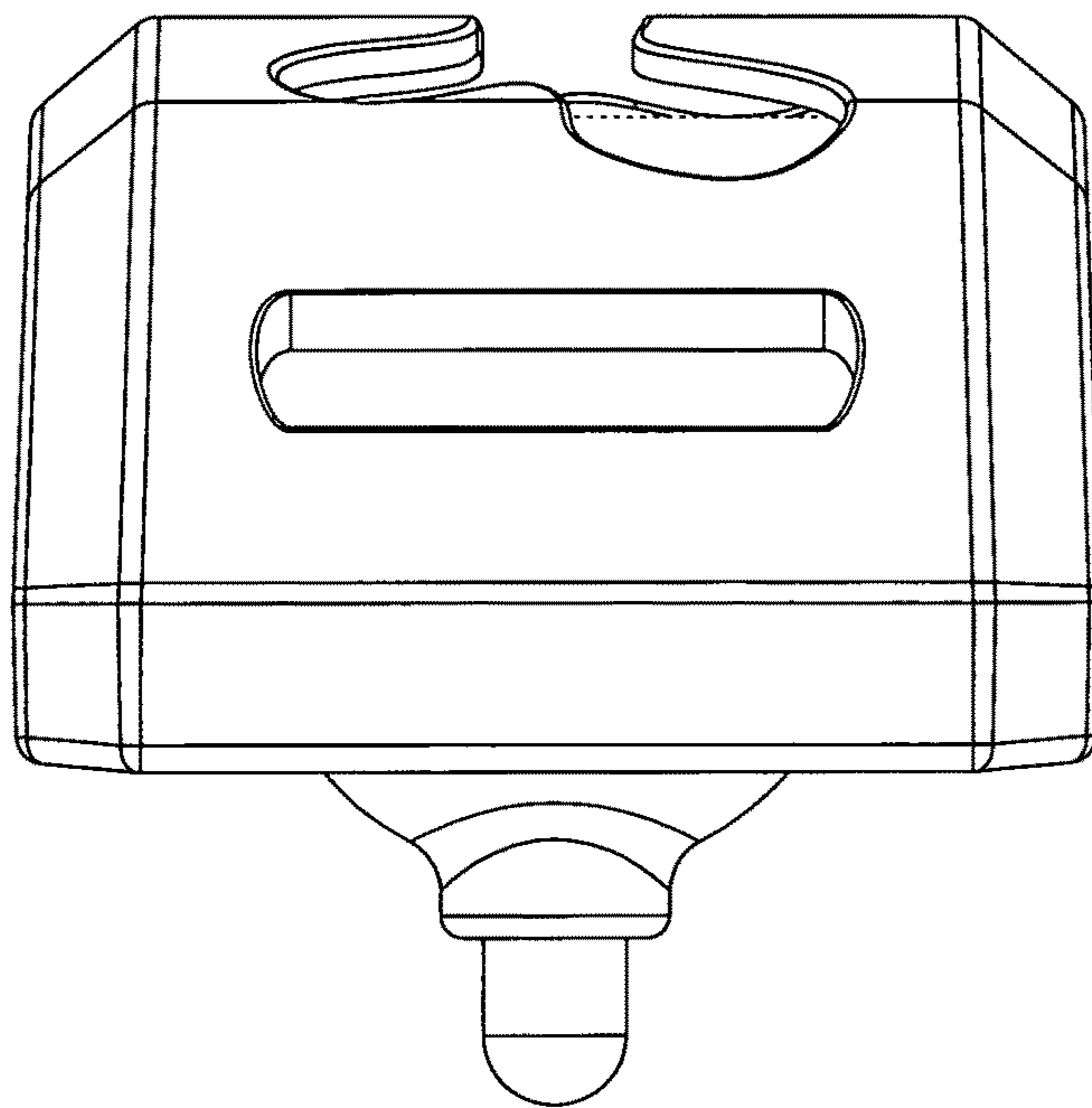


FIG. 3

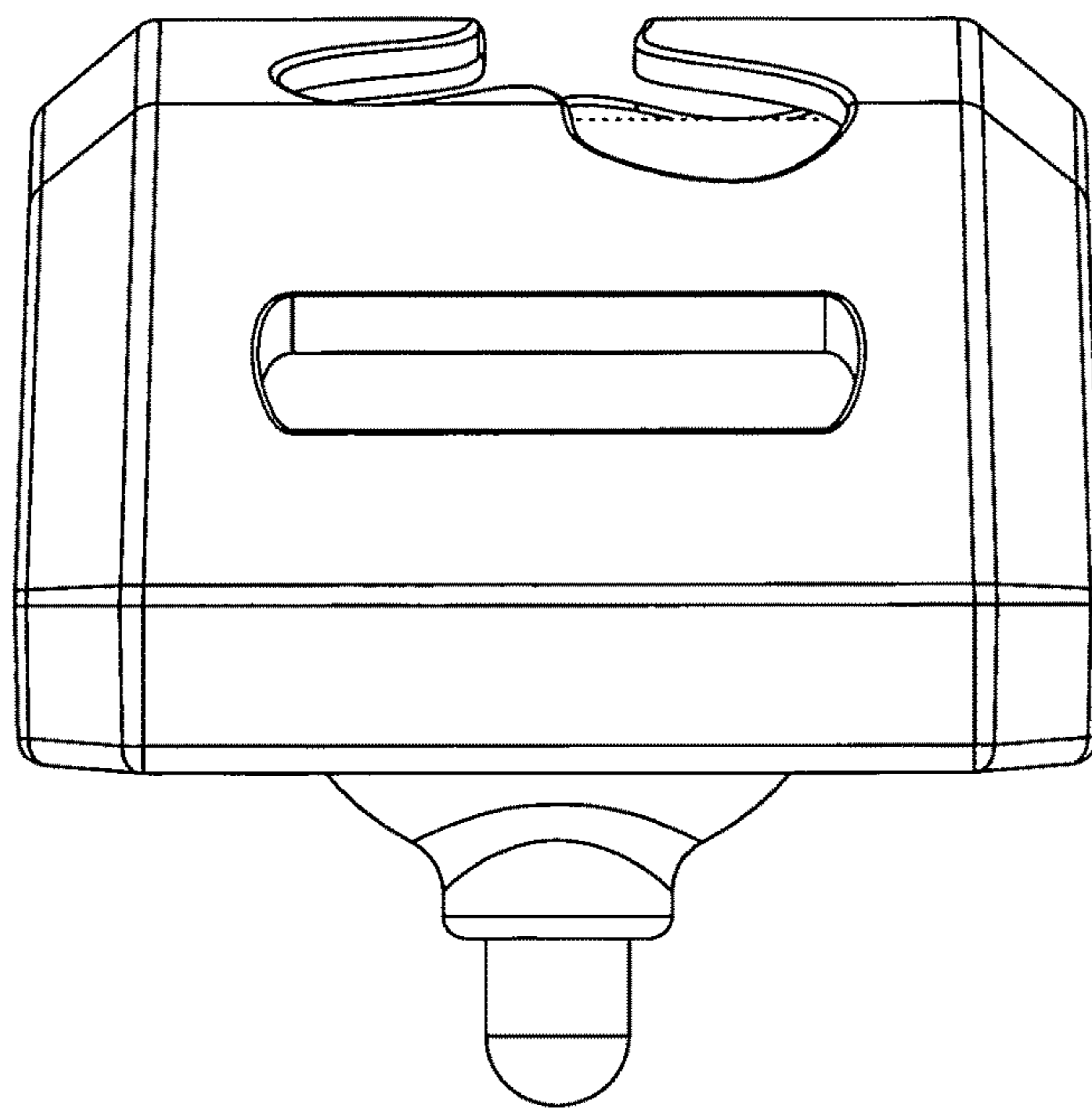


FIG. 4

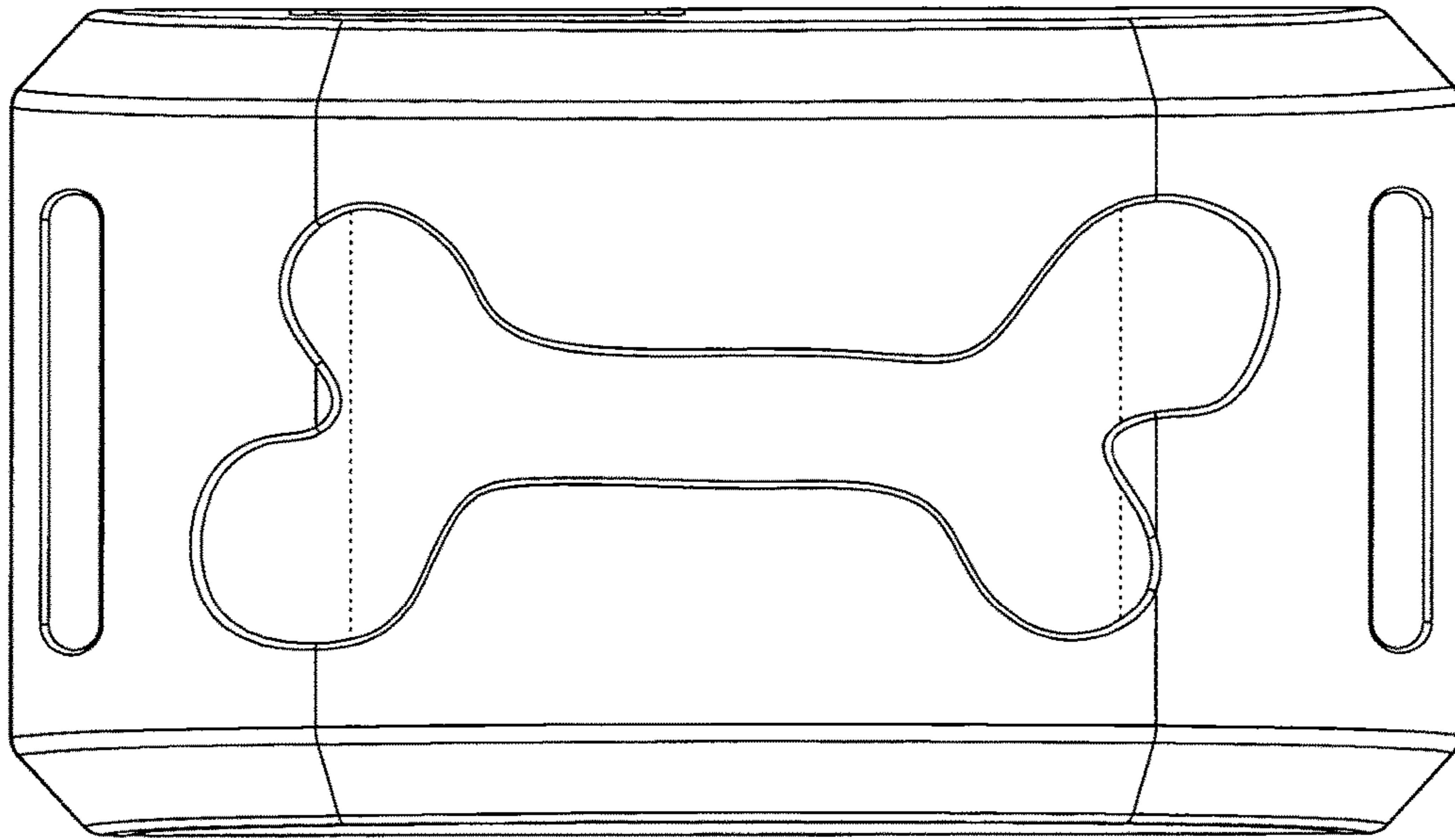


FIG. 5

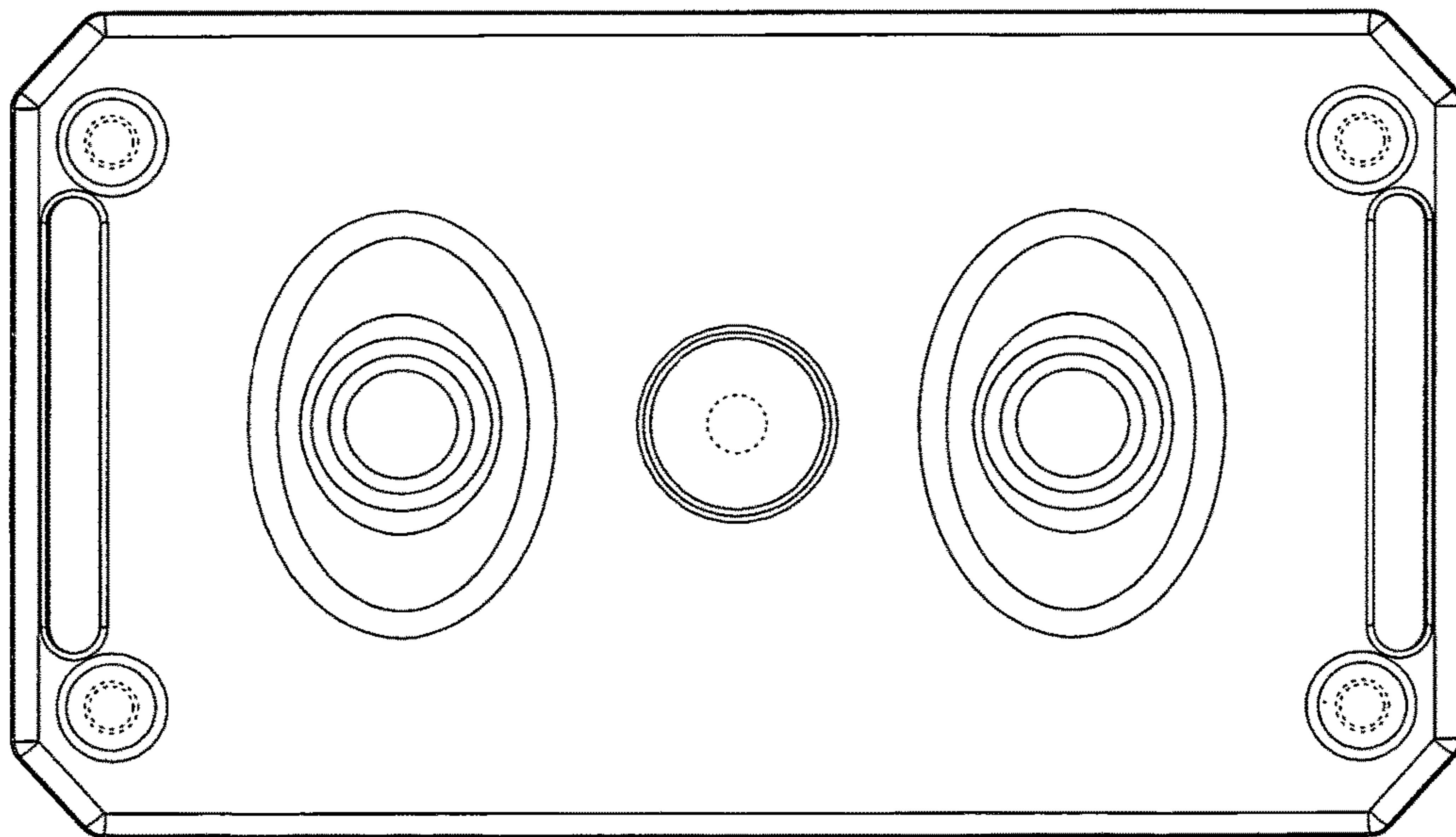


FIG. 6

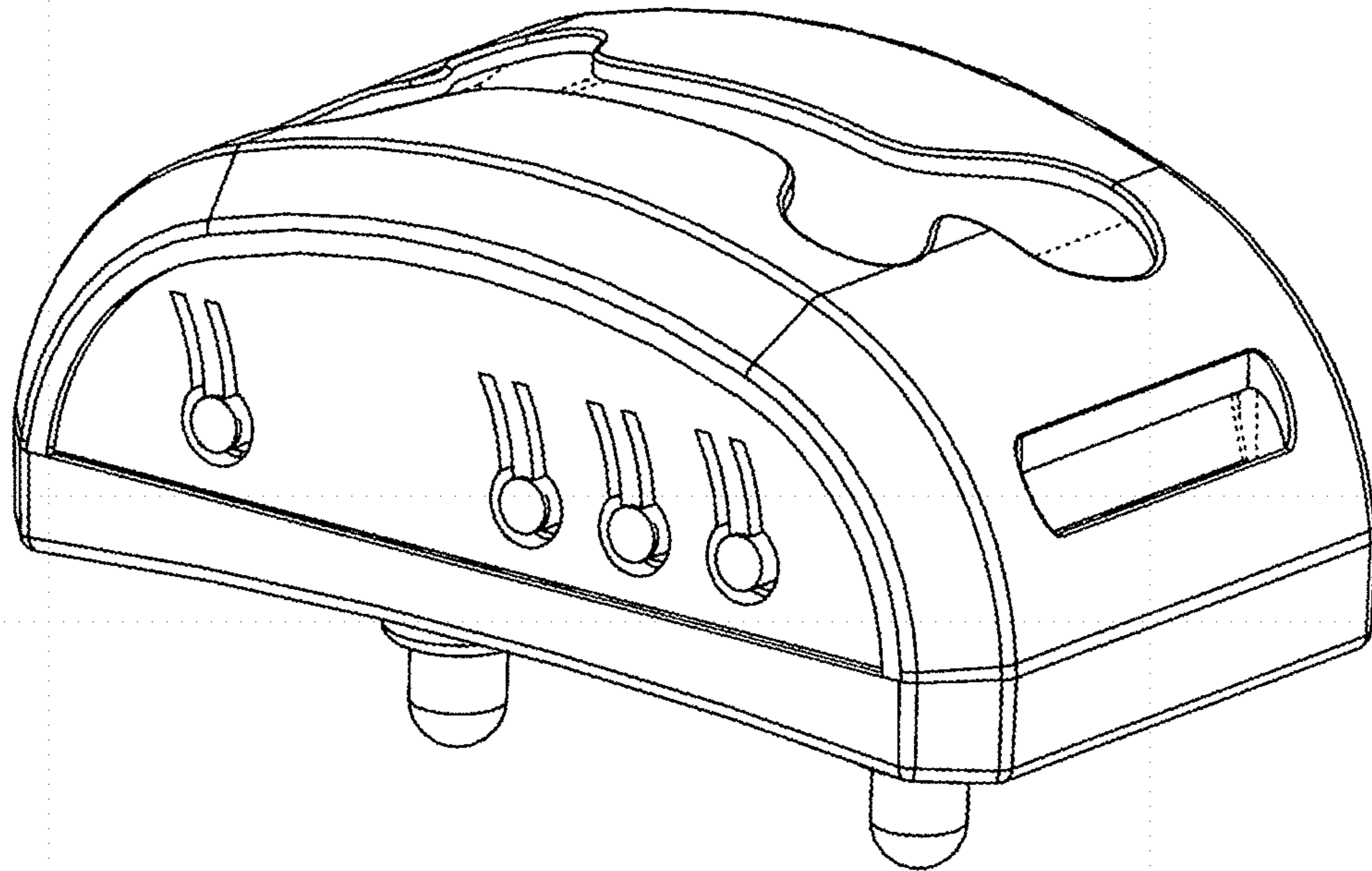


FIG. 7

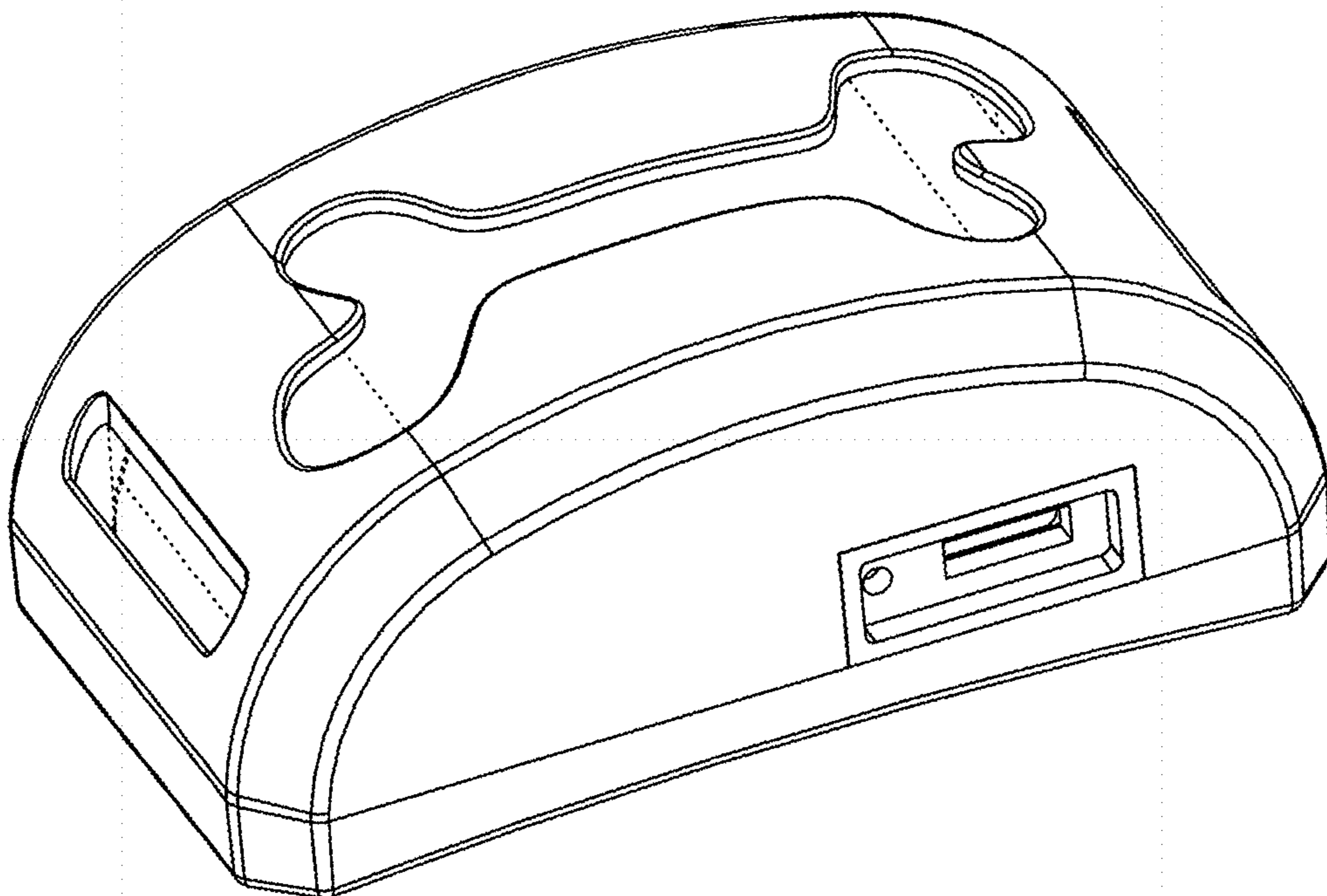


FIG. 8