



US00D861258S

(12) **United States Design Patent**  
**Liang**

(10) **Patent No.:** **US D861,258 S**

(45) **Date of Patent:** **\*\* Sep. 24, 2019**

(54) **PET OUTDOOR DRINKING WATER BOTTLE**

(71) Applicant: **Yinghao Liang**, Henan (CN)

(72) Inventor: **Yinghao Liang**, Henan (CN)

(73) Assignee: **Shanghai Qinxu Industrial Co., Ltd.**,  
Shanghai (CN)

(\*\*) Term: **15 Years**

(21) Appl. No.: **29/631,334**

(22) Filed: **Dec. 29, 2017**

(51) **LOC (12) Cl.** ..... **30-03**

(52) **U.S. Cl.**  
USPC ..... **D30/132**; D30/121; D30/129

(58) **Field of Classification Search**  
USPC ..... D30/121-133; 119/51.01, 61, 51.04, 53,  
119/57.91, 54, 53.5, 52.4, 51.11, 63, 61.2,  
119/52.1, 57.5, 57.6, 51.13, 62, 75, 500,  
119/501, 72, 72.5, 74, 78-81; 239/7,  
239/687, 379, 397.5; 222/199, 181.1,  
222/181.2, 185.1, 557, 156, 485, 486,  
222/548, 555, 207, 205, 424, 438, 48,  
222/206, 212, 215, 460, 461, 525, 86, 89;  
220/200, 227, 247, 262, 694, 700, 701,  
220/703, 660-662, 521, 705, 709, 287,  
220/523, 574; 221/174, 185.1, 289, 295,  
221/296, 559; 454/35; 209/270, 283,  
209/244; 52/194, 192; 49/279, 344, 357;  
D34/28; D9/417, 414, 424, 428, 436,  
D9/440, 442, 447, 456, 454, 455, 730,  
D9/731, 733, 715, 531, 549, 516, 523,  
D9/530, 538, 541, 544, 559, 719, 716;  
D7/589, 300, 300.1, 302-305, 312, 316,  
D7/317, 507-512, 523, 524, 528, 700;  
D3/132, 201, 203.2, 202, 228, 229, 269,  
D3/274, 316, 321, 328; D15/143, 199;  
D28/4, 7, 9; D19/66; 141/343, 331, 340,

141/384, 330, 332, 383, 311 R, 313, 338,  
141/344, 345; 210/455; 215/228, 231,  
215/235, 319-383, 386, DIG. 7, 388;  
4/258, 259, 267; 206/459.1, 459.5, 501  
See application file for complete search history.

(56) **References Cited**

U.S. PATENT DOCUMENTS

4,762,086 A \* 8/1988 Atchley ..... A01K 7/00  
119/477  
5,226,574 A \* 7/1993 Durinzi, Jr. .... B65D 25/42  
215/384  
5,377,879 A \* 1/1995 Isaacs ..... A61J 7/0023  
222/192  
5,441,017 A \* 8/1995 Lindsay ..... A01K 27/003  
119/161  
5,636,592 A \* 6/1997 Wechsler ..... A01K 7/02  
119/52.1  
5,738,039 A \* 4/1998 Berman ..... A01K 7/04  
119/72  
D400,316 S \* 10/1998 Kolterman ..... D30/132

(Continued)

*Primary Examiner* — Susan Moon Lee  
(74) *Attorney, Agent, or Firm* — Justin Lampel

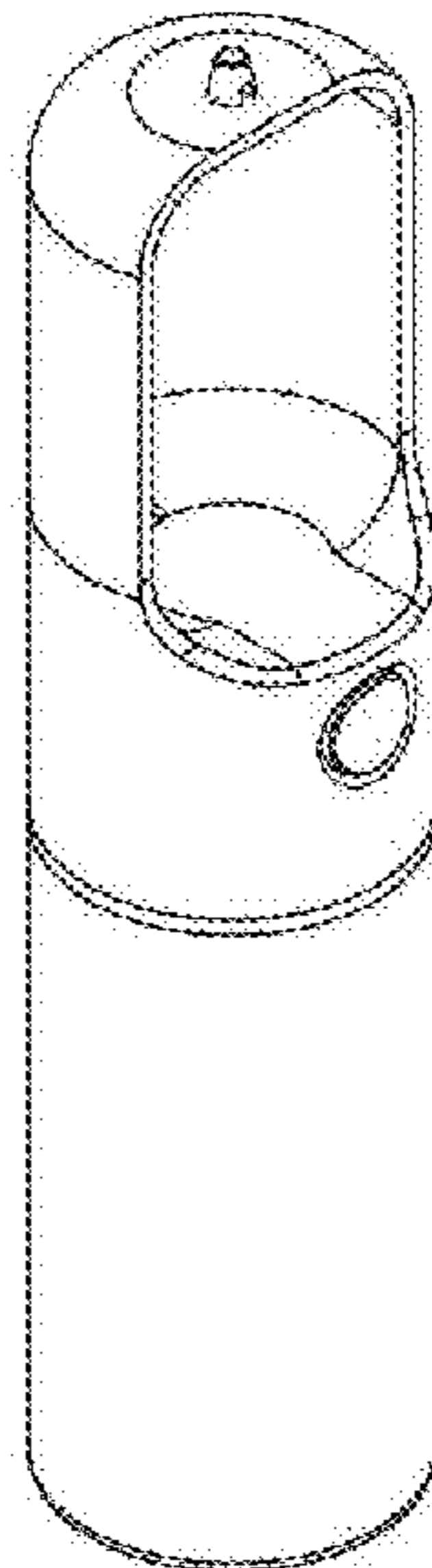
(57) **CLAIM**

The ornamental design for a pet outdoor drinking water bottle, as shown and described.

**DESCRIPTION**

FIG. 1 is a perspective view of a pet outdoor drinking water bottle showing my new design;  
FIG. 2 is a front view thereof;  
FIG. 3 is a rear view thereof;  
FIG. 4 is a right side view thereof;  
FIG. 5 is a left side view thereof;  
FIG. 6 is a bottom plan view thereof; and,  
FIG. 7 is a top plan view thereof.

**1 Claim, 7 Drawing Sheets**



# US D861,258 S

(56)

## References Cited

### U.S. PATENT DOCUMENTS

|              |      |         |                  |       |              |           |
|--------------|------|---------|------------------|-------|--------------|-----------|
| 5,960,742    | A *  | 10/1999 | O'Rourke         | ..... | A01K 7/02    | 119/74    |
| D423,736     | S *  | 4/2000  | O'Rourke         | ..... | D30/132      |           |
| 6,279,233    | B1 * | 8/2001  | Cameron          | ..... | A61J 7/0023  | 30/125    |
| 6,295,735    | B1 * | 10/2001 | Barger           | ..... | A61J 7/0023  | 206/438   |
| D468,489     | S *  | 1/2003  | Wechsler         | ..... | D30/132      |           |
| D483,478     | S *  | 12/2003 | Carraher         | ..... | D24/116      |           |
| 6,675,482    | B1 * | 1/2004  | Gilbert, Jr.     | ..... | A61J 7/0023  | 222/258   |
| D488,226     | S *  | 4/2004  | MacDonald        | ..... | D24/122      |           |
| 6,718,911    | B2 * | 4/2004  | Greenberg        | ..... | A01K 7/00    | 119/51.5  |
| 7,047,648    | B1 * | 5/2006  | LeBel            | ..... | A47G 21/181  | 30/141    |
| D545,640     | S *  | 7/2007  | Risden           | ..... | D7/653       |           |
| D548,834     | S *  | 8/2007  | Hansen           | ..... | D24/114      |           |
| D562,503     | S *  | 2/2008  | Zutis            | ..... | D30/121      |           |
| D565,193     | S *  | 3/2008  | Price            | ..... | D24/224      |           |
| D572,089     | S *  | 7/2008  | Teys             | ..... | D7/653       |           |
| D577,435     | S *  | 9/2008  | Ivie             | ..... | D24/122      |           |
| D580,715     | S *  | 11/2008 | Finell           | ..... | D7/643       |           |
| D594,353     | S *  | 6/2009  | Kortleven        | ..... | D10/46.3     |           |
| 7,562,796    | B2 * | 7/2009  | Zahn             | ..... | A61J 1/067   | 215/11.4  |
| 8,020,303    | B1 * | 9/2011  | Marsh            | ..... | A47G 21/004  | 222/192   |
| D701,355     | S *  | 3/2014  | Yamasaki         | ..... | D30/132      |           |
| D705,501     | S *  | 5/2014  | Li               | ..... | D30/121      |           |
| D711,740     | S *  | 8/2014  | Lien             | ..... | D30/132      |           |
| 8,807,083    | B1 * | 8/2014  | Ross             | ..... | A01K 7/00    | 119/72    |
| D728,169     | S *  | 4/2015  | Yacov            | ..... | D30/121      |           |
| D729,583     | S *  | 5/2015  | Lapsker          | ..... | D7/510       |           |
| D739,984     | S *  | 9/2015  | Harvey           | ..... | D30/121      |           |
| D741,025     | S *  | 10/2015 | Ross             | ..... | D30/121      |           |
| 9,402,374    | B2 * | 8/2016  | Landon           | ..... | A01K 5/0114  |           |
| D770,100     | S *  | 10/2016 | Burroughs        | ..... | D30/121      |           |
| 9,789,028    | B2 * | 10/2017 | Leffler          | ..... | A61J 7/0023  |           |
| D850,017     | S *  | 5/2019  | Brucato          | ..... | D30/132      |           |
| 2004/0006874 | A1 * | 1/2004  | Kamm             | ..... | A47G 21/004  | 30/141    |
| 2004/0050959 | A1 * | 3/2004  | Mazooji          | ..... | B05B 3/02    | 239/263.1 |
| 2006/0278169 | A1 * | 12/2006 | Logan            | ..... | A01K 5/0114  | 119/61.56 |
| 2007/0017450 | A1 * | 1/2007  | Hurwitz          | ..... | A01K 7/00    | 119/74    |
| 2007/0017451 | A1 * | 1/2007  | Hurwitz          | ..... | A01K 7/00    | 119/74    |
| 2007/0017452 | A1 * | 1/2007  | Hurwitz          | ..... | A01K 7/00    | 119/74    |
| 2007/0079762 | A1 * | 4/2007  | Stephanos        | ..... | A01K 7/00    | 119/74    |
| 2008/0072432 | A1 * | 3/2008  | Teys             | ..... | A47G 21/004  | 30/125    |
| 2008/0072433 | A1 * | 3/2008  | Ohring           | ..... | B65D 83/06   | 30/125    |
| 2008/0087224 | A1 * | 4/2008  | Wechsler         | ..... | A01K 7/00    | 119/52.1  |
| 2009/0107582 | A1 * | 4/2009  | Sayage           | ..... | B65D 51/24   | 141/340   |
| 2009/0159009 | A1 * | 6/2009  | Parks            | ..... | A01K 7/00    | 119/74    |
| 2010/0003379 | A1 * | 1/2010  | Zoss             | ..... | B65D 51/247  | 426/115   |
| 2010/0116772 | A1 * | 5/2010  | Teys             | ..... | A45D 34/04   | 215/228   |
| 2010/0300363 | A1 * | 12/2010 | Nangia           | ..... | A01K 7/00    | 119/51.01 |
| 2011/0061603 | A1 * | 3/2011  | Ragonetti        | ..... | A01K 15/027  | 119/702   |
| 2011/0089136 | A1 * | 4/2011  | Fukai            | ..... | A47G 21/00   | 215/386   |
| 2012/0298045 | A1 * | 11/2012 | Wechsler         | ..... | A01K 7/00    | 119/52.1  |
| 2013/0228486 | A1 * | 9/2013  | Buck             | ..... | B65D 21/0238 | 206/459.1 |
| 2014/0158064 | A1 * | 6/2014  | Cooligan-Knoefel | ..... | A01K 27/004  | 119/796   |
| 2014/0209032 | A1 * | 7/2014  | Li               | ..... | A01K 7/00    | 119/74    |
| 2014/0261198 | A1 * | 9/2014  | Wechsler         | ..... | A01K 7/00    | 119/52.1  |
| 2014/0360434 | A1 * | 12/2014 | Yacov            | ..... | A01K 7/00    | 119/51.5  |
| 2015/0298867 | A1 * | 10/2015 | Sanderson        | ..... | A01K 7/00    | 215/6     |
| 2016/0050884 | A1 * | 2/2016  | Ross             | ..... | A01K 7/00    | 119/74    |

\* cited by examiner

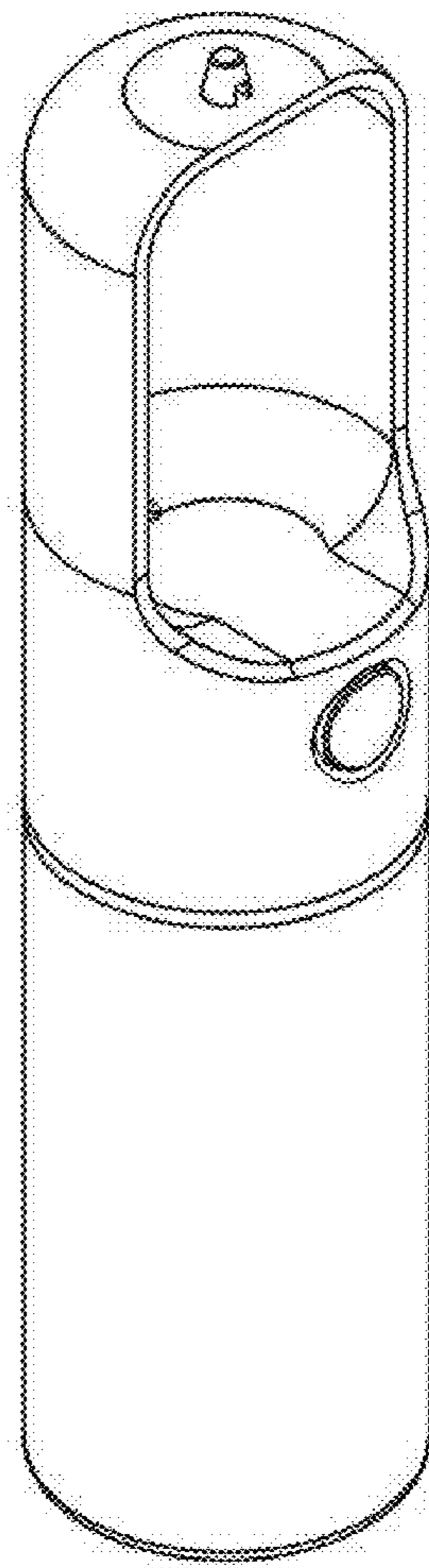


FIG.1

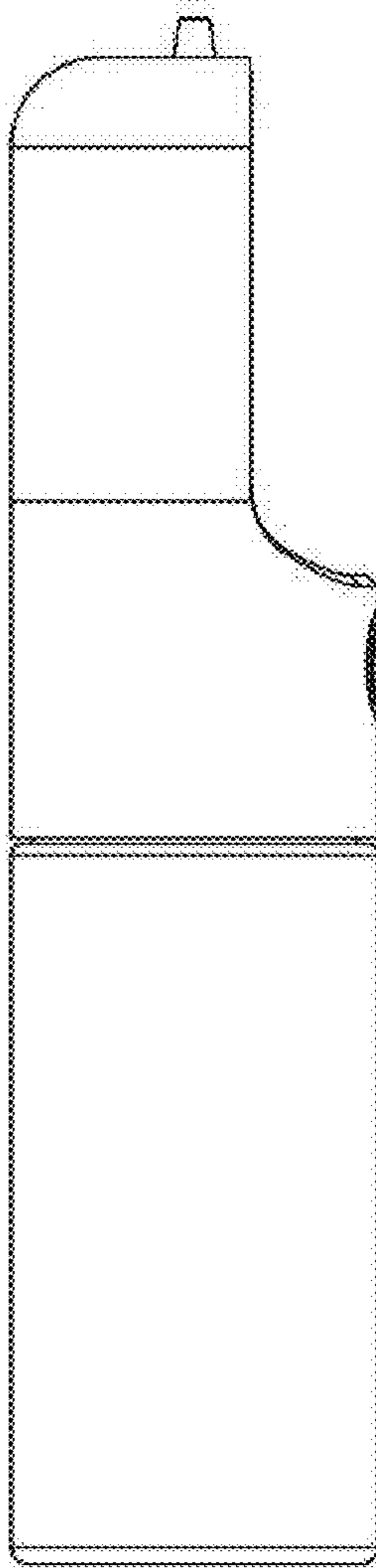
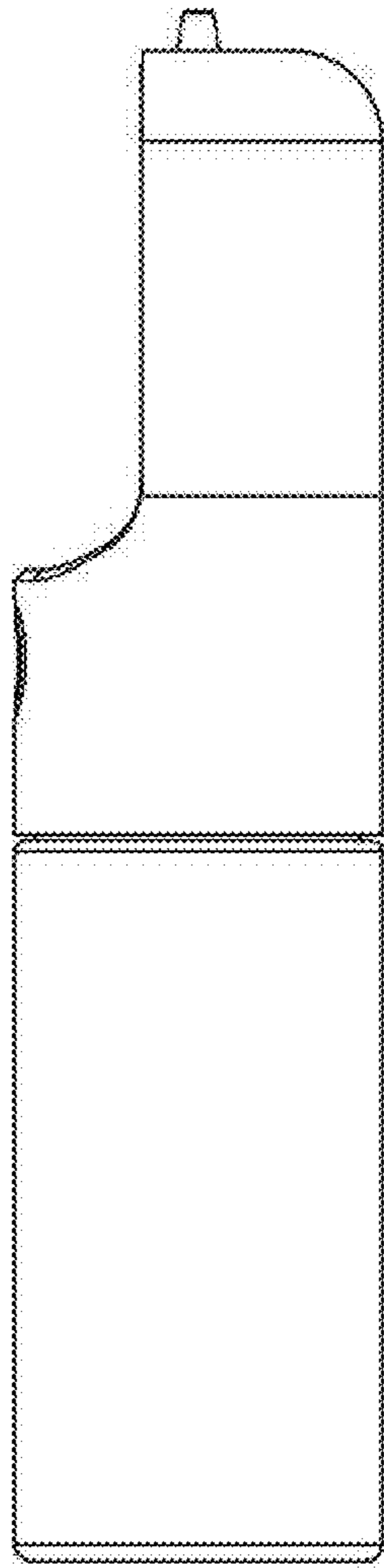
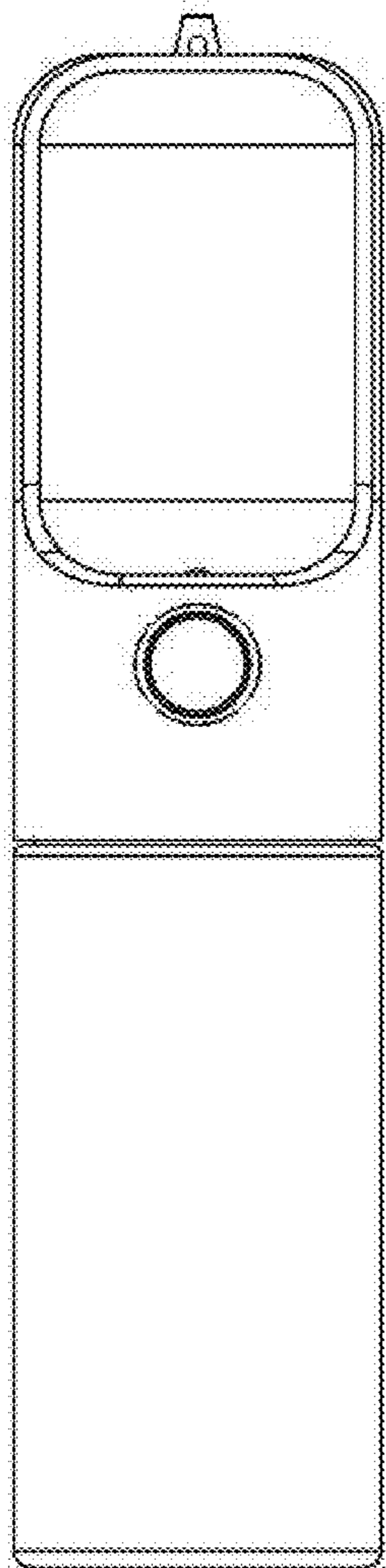


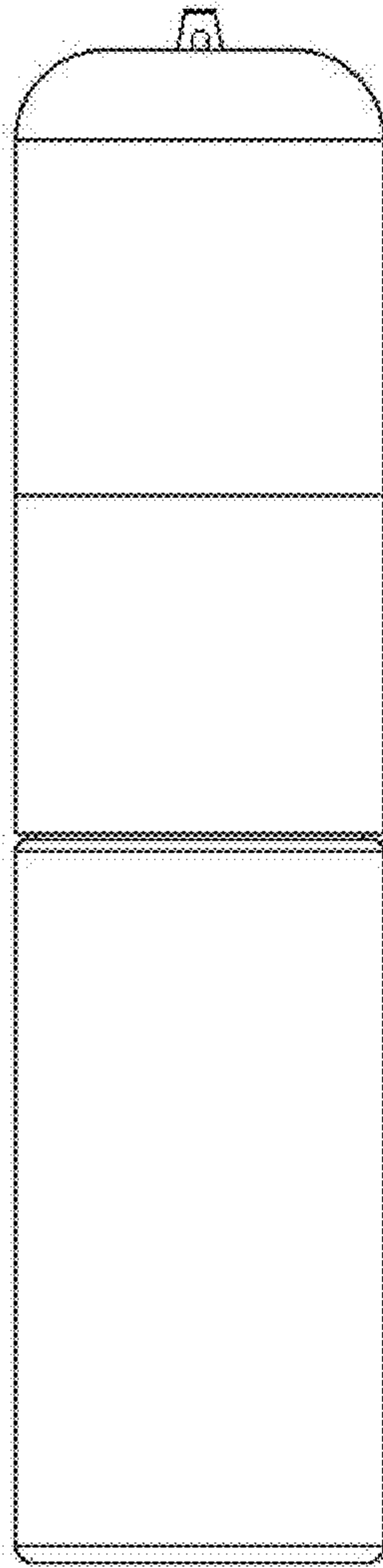
FIG.2



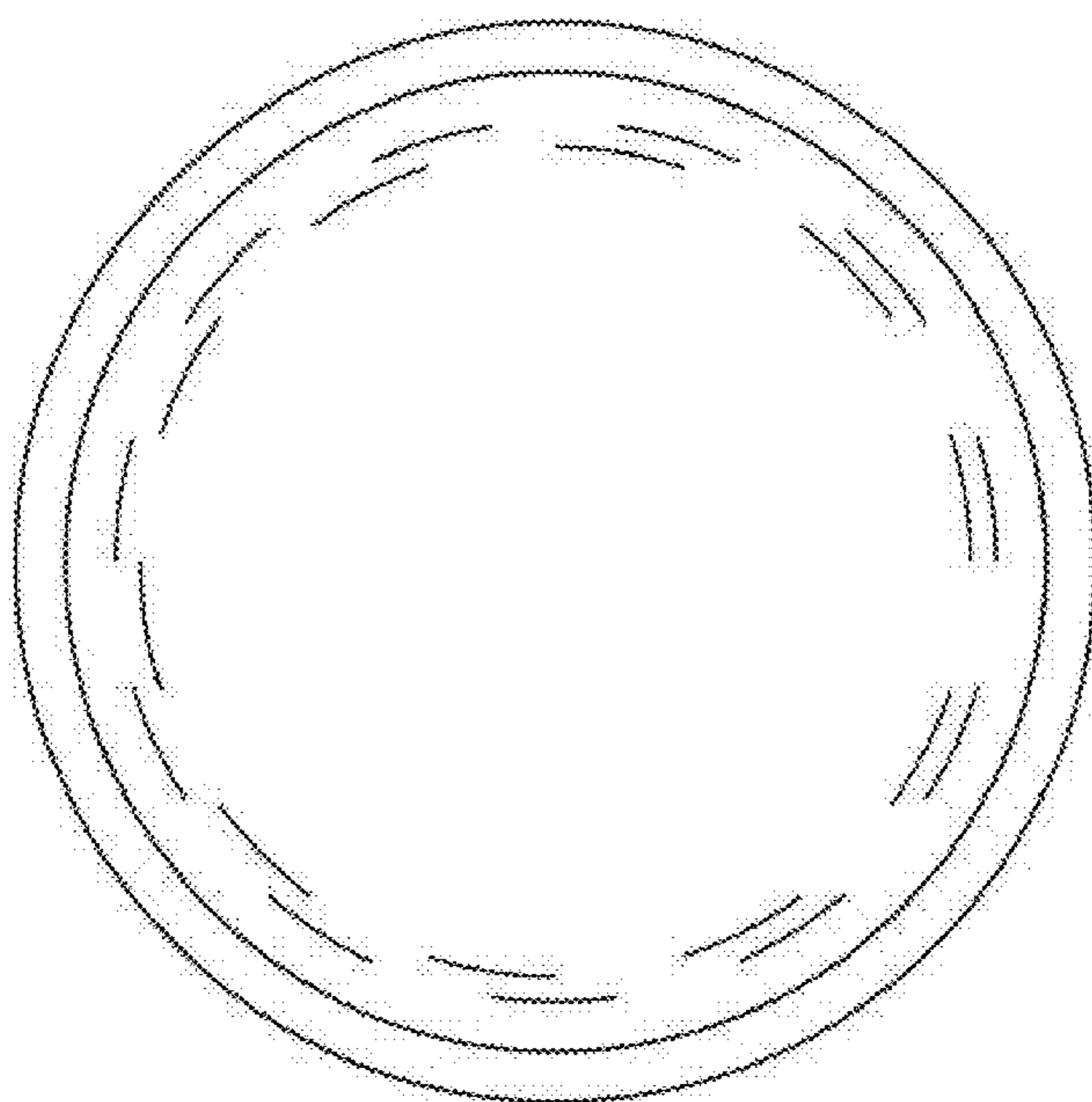
**FIG.3**



**FIG.4**



**FIG.5**



**FIG.6**



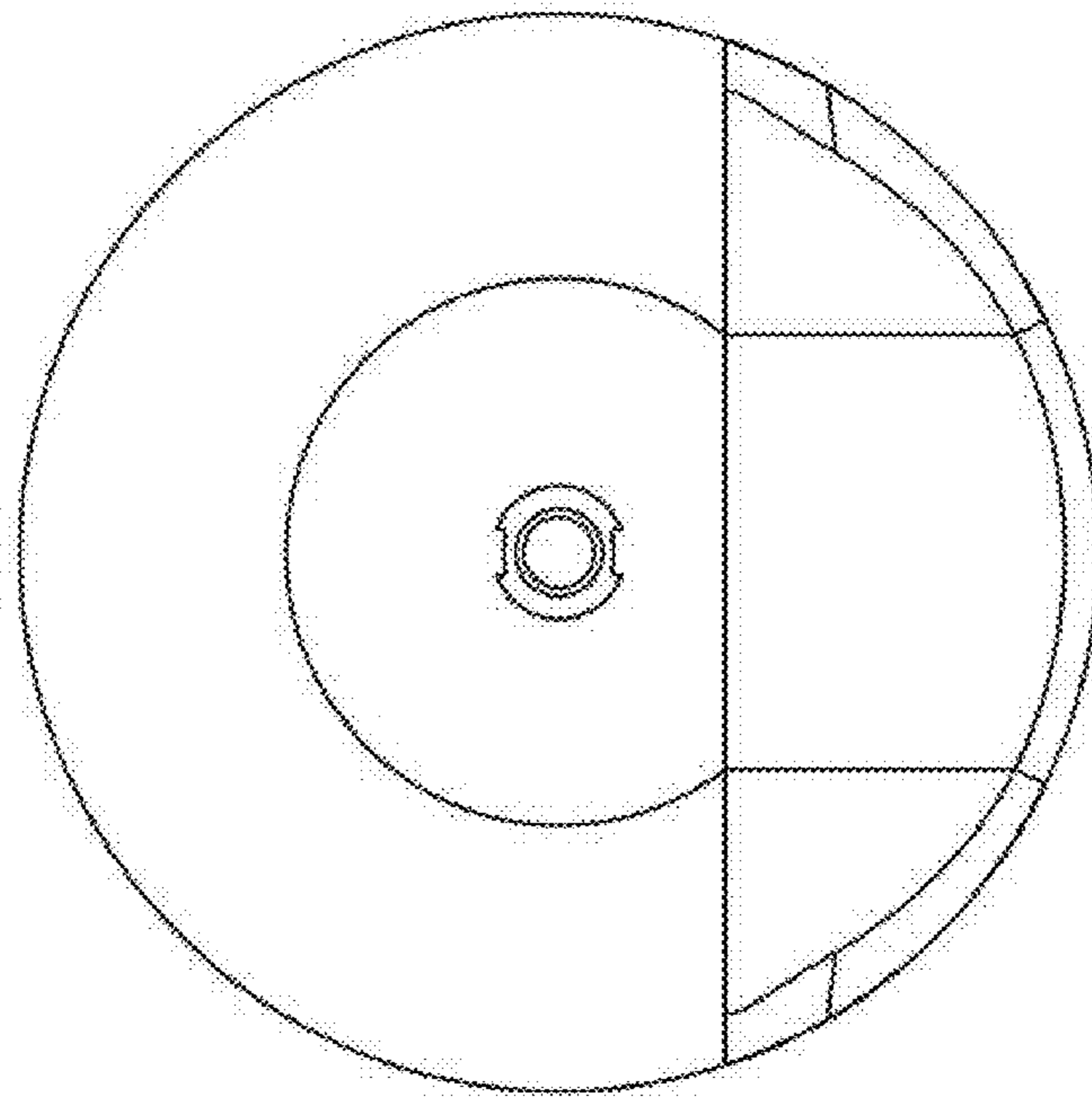


FIG.7