

US00D861255S

(12) **United States Design Patent**
Larrett

(10) **Patent No.:** **US D861,255 S**

(45) **Date of Patent:** **** Sep. 24, 2019**

(54) **SCAFFOLDER'S VEST**

6,533,066 B1 * 3/2003 O'Dell A62B 35/04
182/3

(71) Applicant: **TOOL ESE**, Sherwood Park (CA)

7,392,881 B1 * 7/2008 Choate A62B 35/04
182/3

(72) Inventor: **Shayne Larrett**, Sherwood Park (CA)

D739,085 S * 9/2015 Tadeo D29/101.1

(73) Assignee: **TOOL ESE**, Sherwood Park (CA)

* cited by examiner

(**) Term: **15 Years**

Primary Examiner — Randall H Gholson

(21) Appl. No.: **29/630,034**

(74) *Attorney, Agent, or Firm* — Davis & Bujold PLLC;
Michael J. Bujold

(22) Filed: **Dec. 19, 2017**

(30) **Foreign Application Priority Data**

Jun. 21, 2017 (CA) 175453

(51) **LOC (12) Cl.** **29-02**

(52) **U.S. Cl.**
USPC **D29/101.1**

(58) **Field of Classification Search**
USPC D29/100, 101.1, 101.2, 101.3, 101.4,
D29/101.5, 122; 2/1; D2/626, 628, 629,
D2/829; D3/215, 218, 219, 221, 226;
359/519; 182/3

CPC A41D 1/00
See application file for complete search history.

(56) **References Cited**

U.S. PATENT DOCUMENTS

2,699,284 A * 1/1955 Rose A62B 35/0037
119/857
6,253,874 B1 * 7/2001 Casebolt A62B 35/0031
182/3

(57) **CLAIM**

I claim the ornamental design for a scaffolder's vest, as shown and described.

DESCRIPTION

FIG. 1 is a front plan view of a scaffolder's vest embodying my new design;
FIG. 2 is a top plan view thereof;
FIG. 3 is a bottom plan view thereof;
FIG. 4 is a rear plan view thereof;
FIG. 5 is a right side view thereof; and,
FIG. 6 is a left side view thereof.

The broken lines illustrate environmental structure that form no part of the claimed designed.

1 Claim, 2 Drawing Sheets

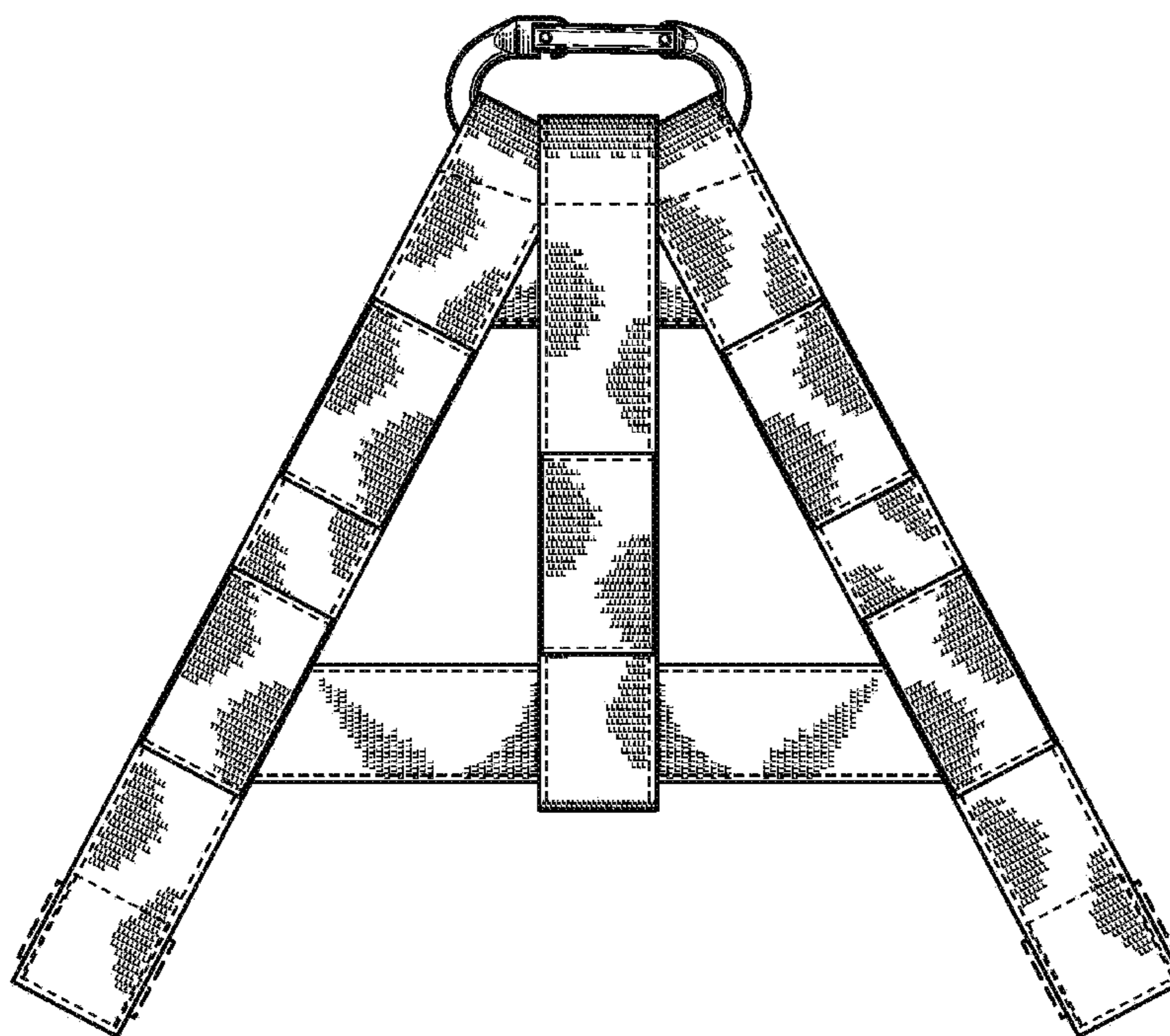


FIG. 2



FIG. 1

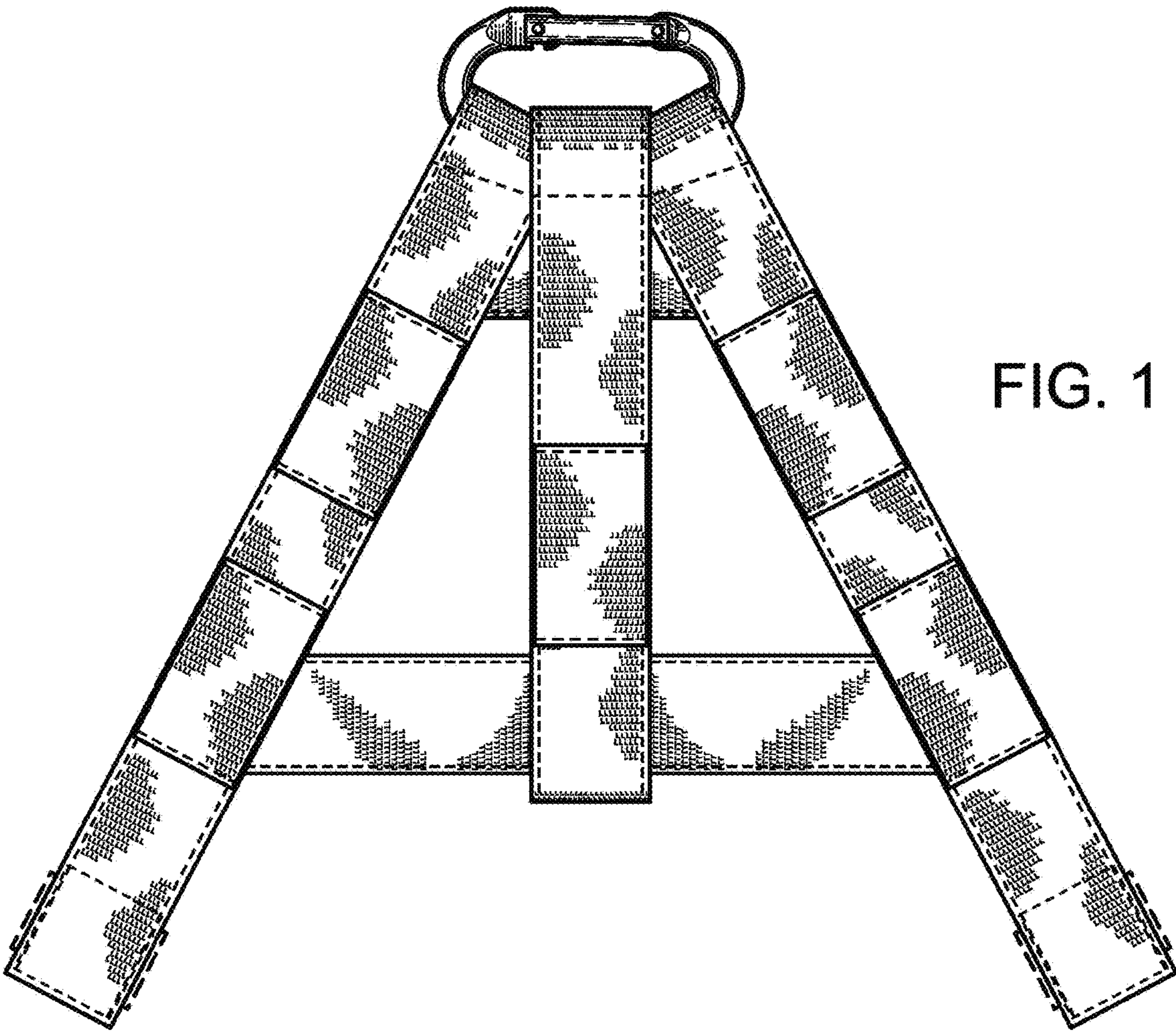


FIG. 3





FIG. 6

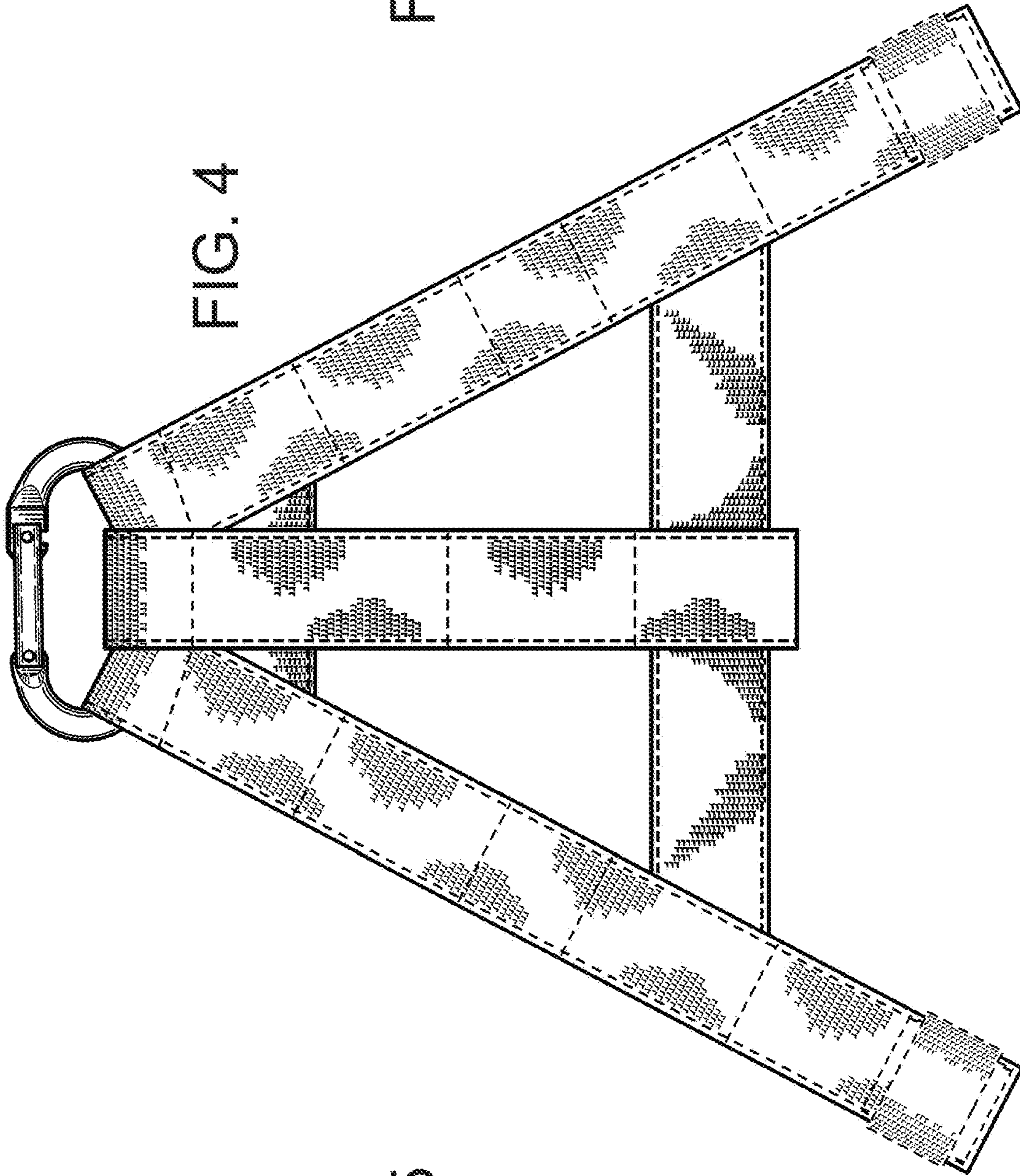


FIG. 4

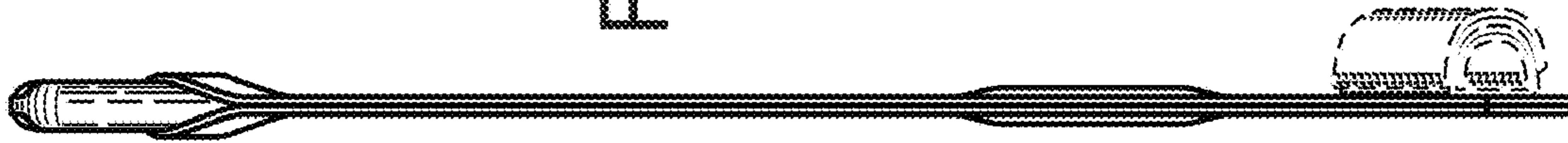


FIG. 5