



US00D861254S

(12) **United States Design Patent** (10) **Patent No.:** **US D861,254 S**  
**Min** (45) **Date of Patent:** **\*\* \*Sep. 24, 2019**

(54) **COSMETIC RECEPTACLE**

A45D 40/22; A45D 40/221; A45D 40/222; A45D 40/24; B65D 43/168

See application file for complete search history.

(71) Applicant: **BARAM INTERNATIONAL CO., LTD.**, Seoul (KR)

(56) **References Cited**

U.S. PATENT DOCUMENTS

(72) Inventor: **Seul Ki Min**, Seoul (KR)

D65,681 S \* 9/1924 Worth ..... D28/91  
1,612,409 A \* 12/1926 Anderson ..... A45D 33/025  
132/295  
1,735,483 A \* 11/1929 Wacker ..... A45D 33/006  
132/296  
1,778,575 A \* 10/1930 Wacker ..... A45D 33/006  
132/301

(73) Assignee: **BARAM INTERNATIONAL CO., LTD.**, Seoul (KR)

(\*) Notice: This patent is subject to a terminal disclaimer.

(Continued)

(\*\*) Term: **15 Years**

OTHER PUBLICATIONS

Paradise Dual Palette, Dear Dahlia, published on Aug. 7, 2018 on youtube.com, retrieved on Jan. 14, 2019, retrieved from the Internet URL: <https://www.youtube.com/watch?v=P0lvDNiDd-Y>.\*

(21) Appl. No.: **29/633,848**

(Continued)

(22) Filed: **Jan. 16, 2018**

*Primary Examiner* — Jennifer Rivard  
*Assistant Examiner* — Alison M Ofstun

(30) **Foreign Application Priority Data**

Sep. 27, 2017 (KR) ..... 30-2017-0045648

(74) *Attorney, Agent, or Firm* — Hauptman Ham, LLP

(51) **LOC (12) Cl.** ..... **28-03**

(57) **CLAIM**

The ornamental design for a cosmetic receptacle, as shown and described.

(52) **U.S. Cl.**

USPC ..... **D28/78**

**DESCRIPTION**

(58) **Field of Classification Search**

USPC .... D28/64.1, 76-84; D9/414, 430, 503-505, D9/529, 737, 756, 759; D3/295

The patent or application file contains at least one drawing executed in color. Copies of this patent or patent application publication with color drawing(s) will be provided by the Office upon request and payment of the necessary fee.

FIG. 1 is a perspective view of a cosmetic receptacle showing my new design, in a closed position of use;

FIG. 2 is a front view thereof;

FIG. 3 is a rear view thereof;

FIG. 4 is a left side view thereof;

FIG. 5 is a right side view thereof;

FIG. 6 is a top view thereof;

(Continued)

CPC ..... A45D 33/006; A45D 33/003; A45D

33/04-33; A45D 33/025; A45D 33/02;

A45D 33/20; A45D 33/22; A45D 33/24;

A45D 33/26; A45D 33/28; A45D 33/18;

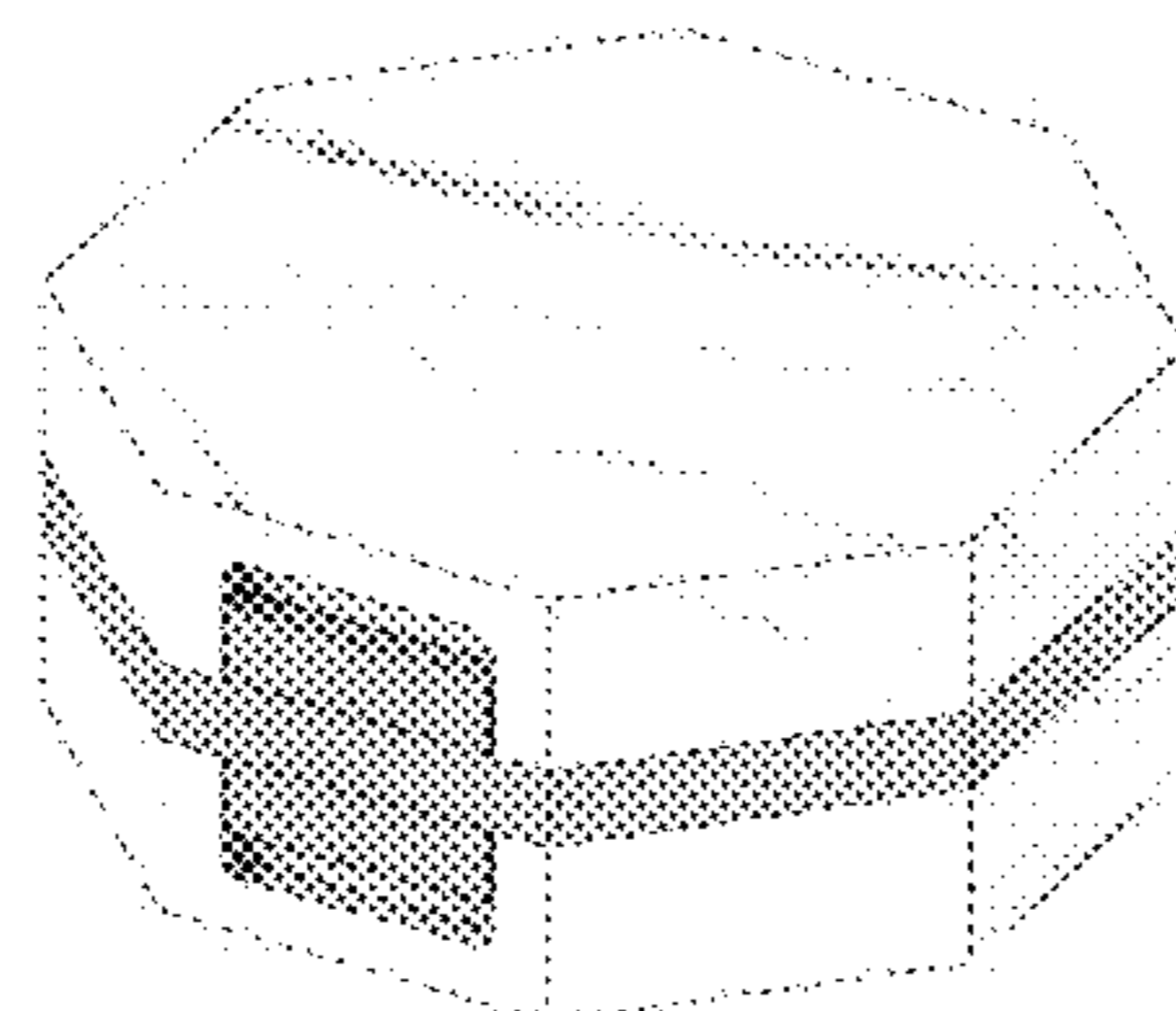


FIG. 7 is a bottom view thereof;  
 FIG. 8 is a perspective view thereof shown in an open position of use; and,  
 FIG. 9 is a perspective view thereof shown in another open position of use when a mirror is attached to an upper portion of the cosmetic receptacle.

**1 Claim, 9 Drawing Sheets  
 (9 of 9 Drawing Sheet(s) Filed in Color)**

2,046,133	A *	6/1936	Rathbun	.....	B65D 43/168 16/DIG. 19
D270,579	S *	9/1983	Numbers	.....	D28/78
D276,470	S *	11/1984	Lo	.....	D28/64.3
D309,043	S *	7/1990	Bakic	.....	D28/78
D309,511	S *	7/1990	Bertlin	.....	D28/78
D313,288	S *	12/1990	Bakic	.....	D28/77
D314,066	S *	1/1991	Bakic	.....	D28/77
D318,144	S *	7/1991	Scarpa	.....	D28/78
D544,342	S *	6/2007	Liebe	.....	D28/78
D552,982	S *	10/2007	Liebe	.....	D28/78
2017/0273438	A1 *	9/2017	Liu	.....	A45D 40/221

(56)

**References Cited**

U.S. PATENT DOCUMENTS

1,845,507	A *	2/1932	McAtree	.....	A45D 33/006 132/296
1,875,127	A *	8/1932	Parkin	.....	A45D 33/24 132/296
1,959,784	A *	5/1934	Goertz	.....	A45D 33/006 132/303

OTHER PUBLICATIONS

The Notice of Preliminary Rejection dated Mar. 8, 2018 in connection with the counterpart Korean Patent Application No. 30-2017-0045648.

The Request for Consultation dated Mar. 8, 2018 in connection with the counterpart Korean Patent Application Nos. 30-2017-0045648 and 30-2017-0045649.

\* cited by examiner

**FIG. 1**

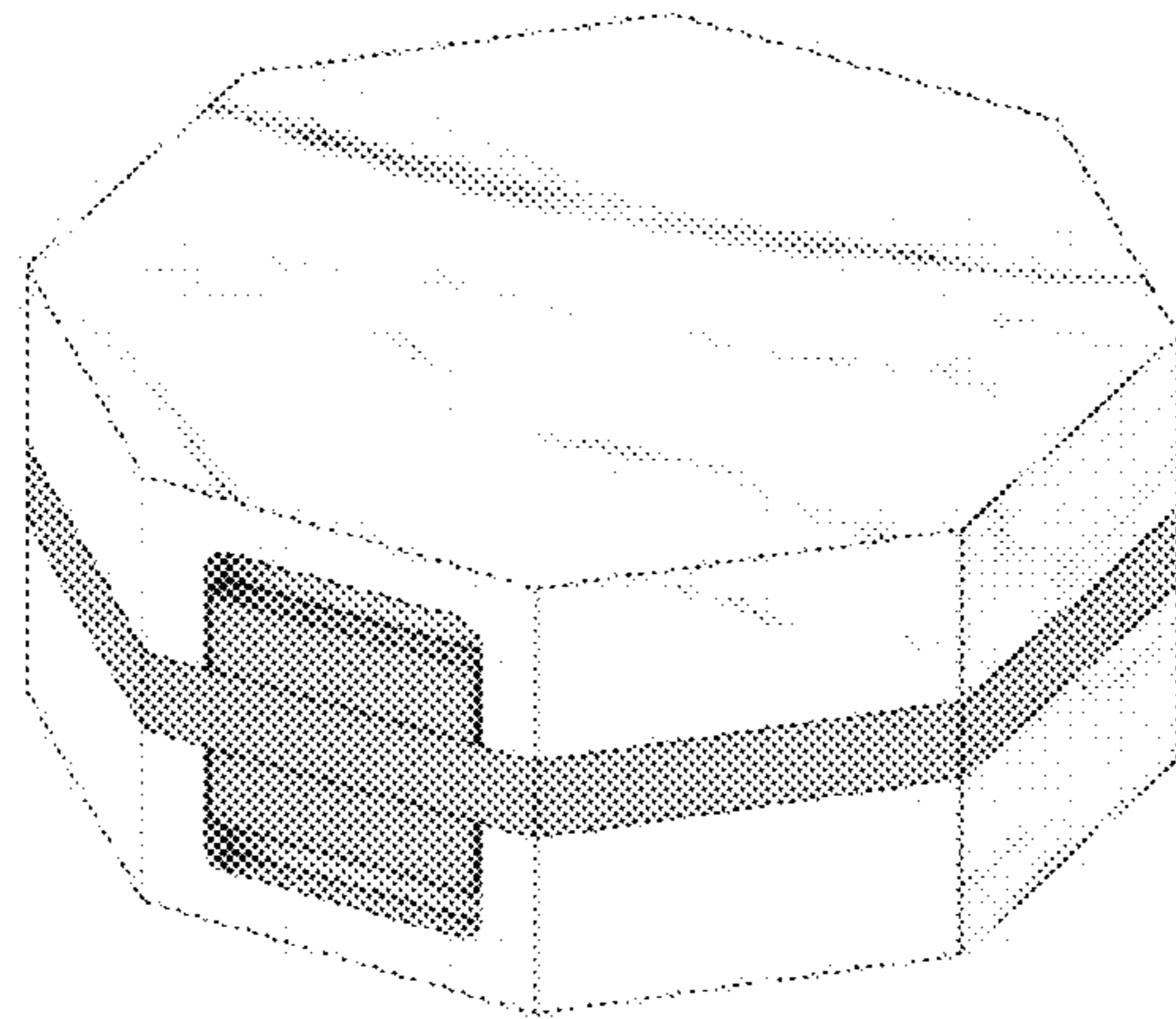


FIG. 2

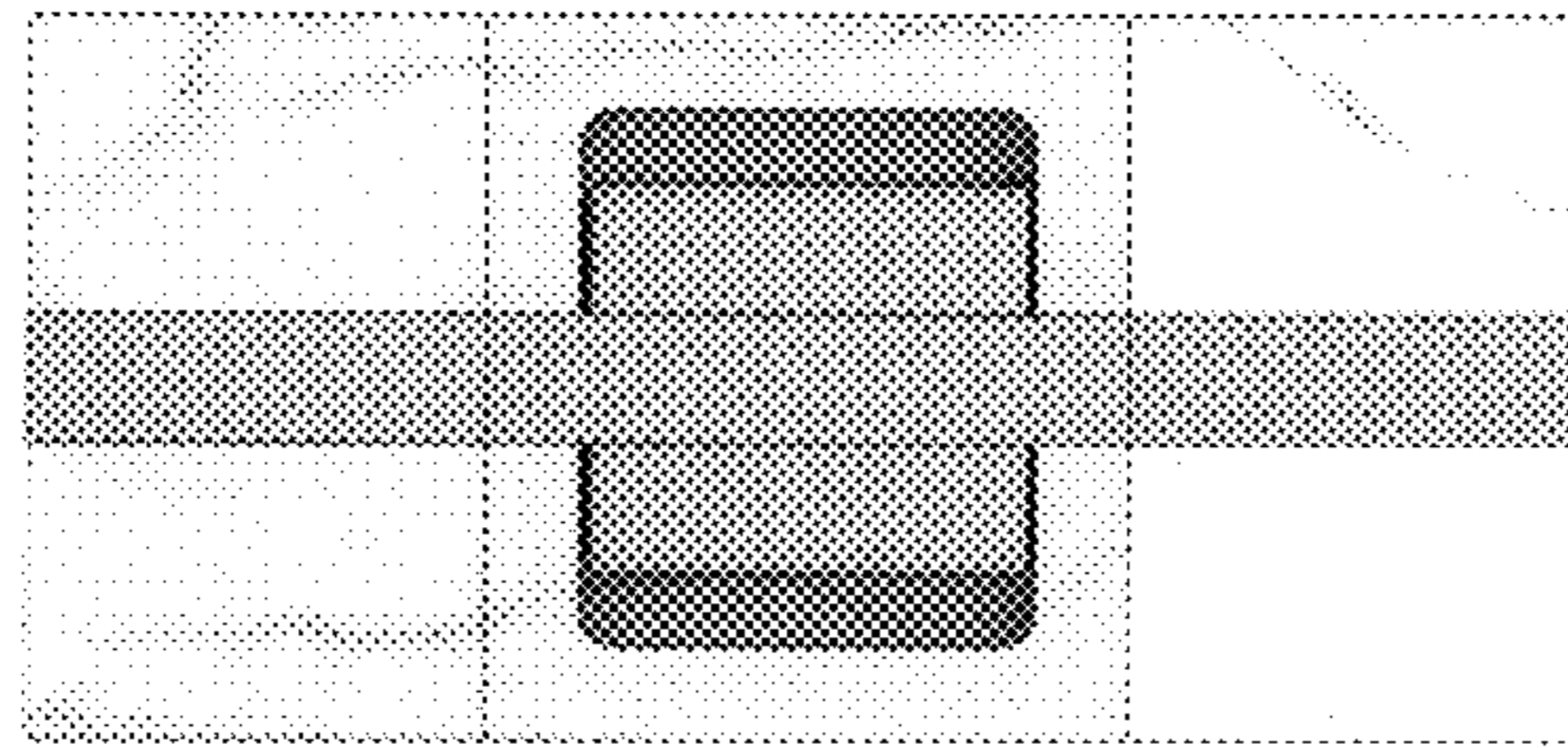


FIG. 3

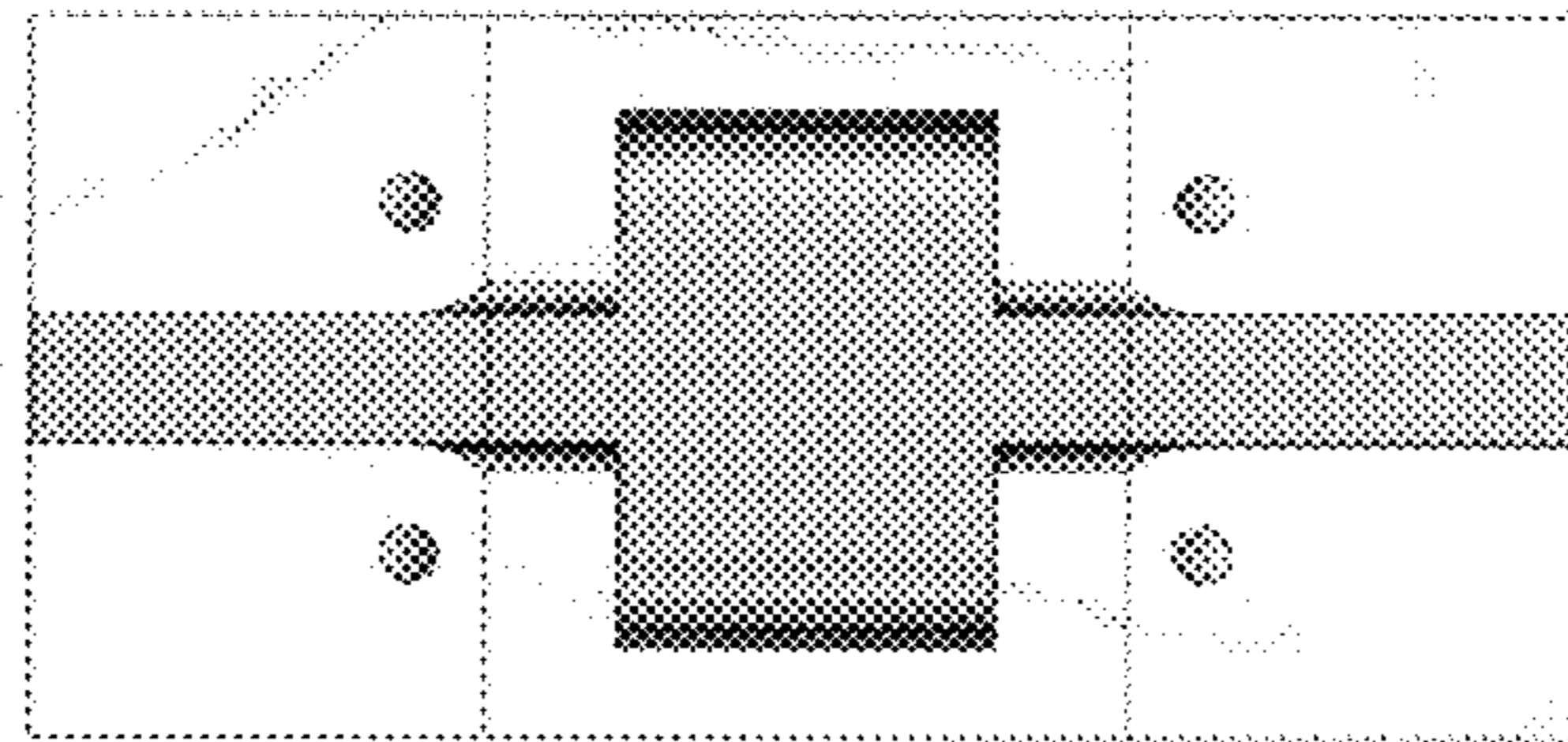


FIG. 4

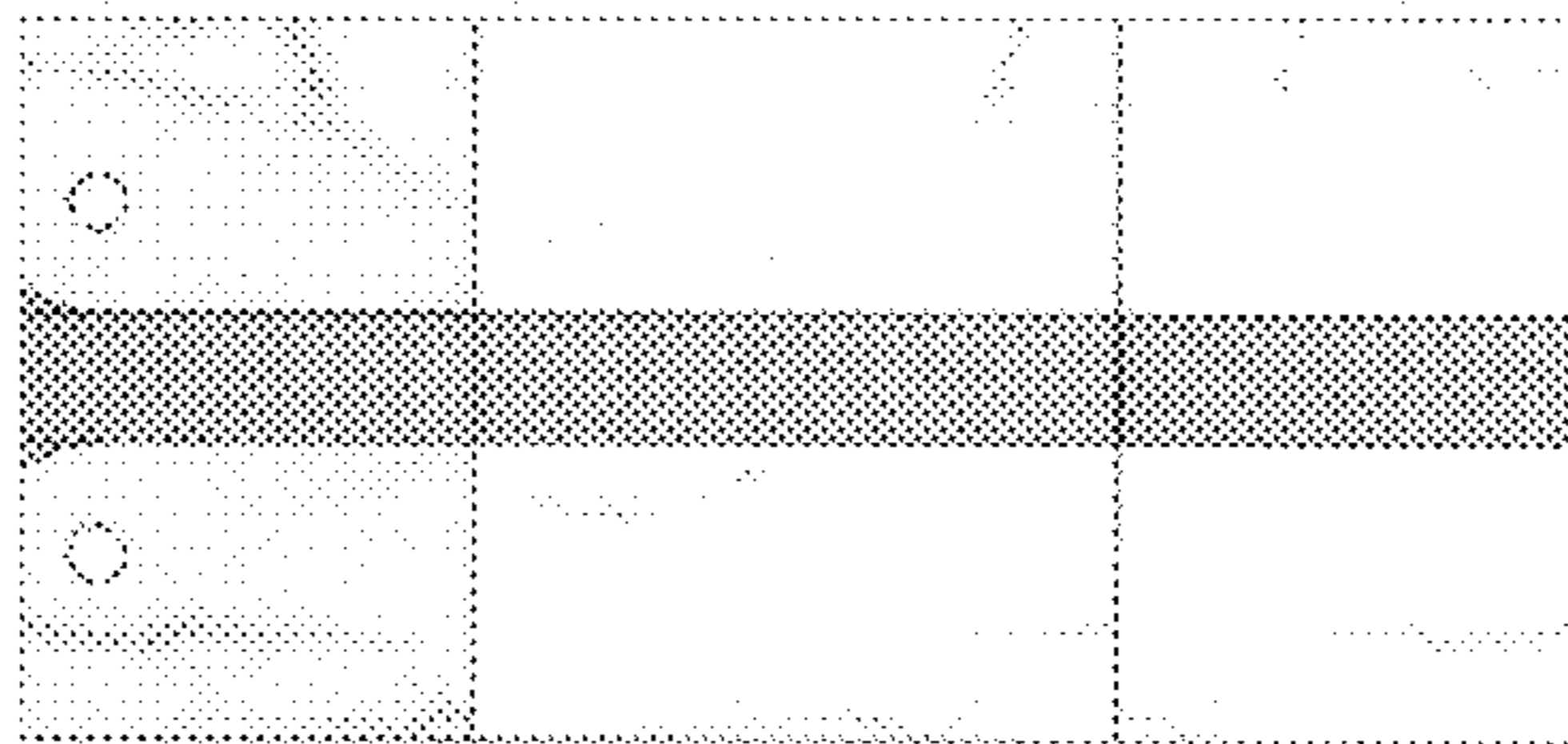


FIG. 5

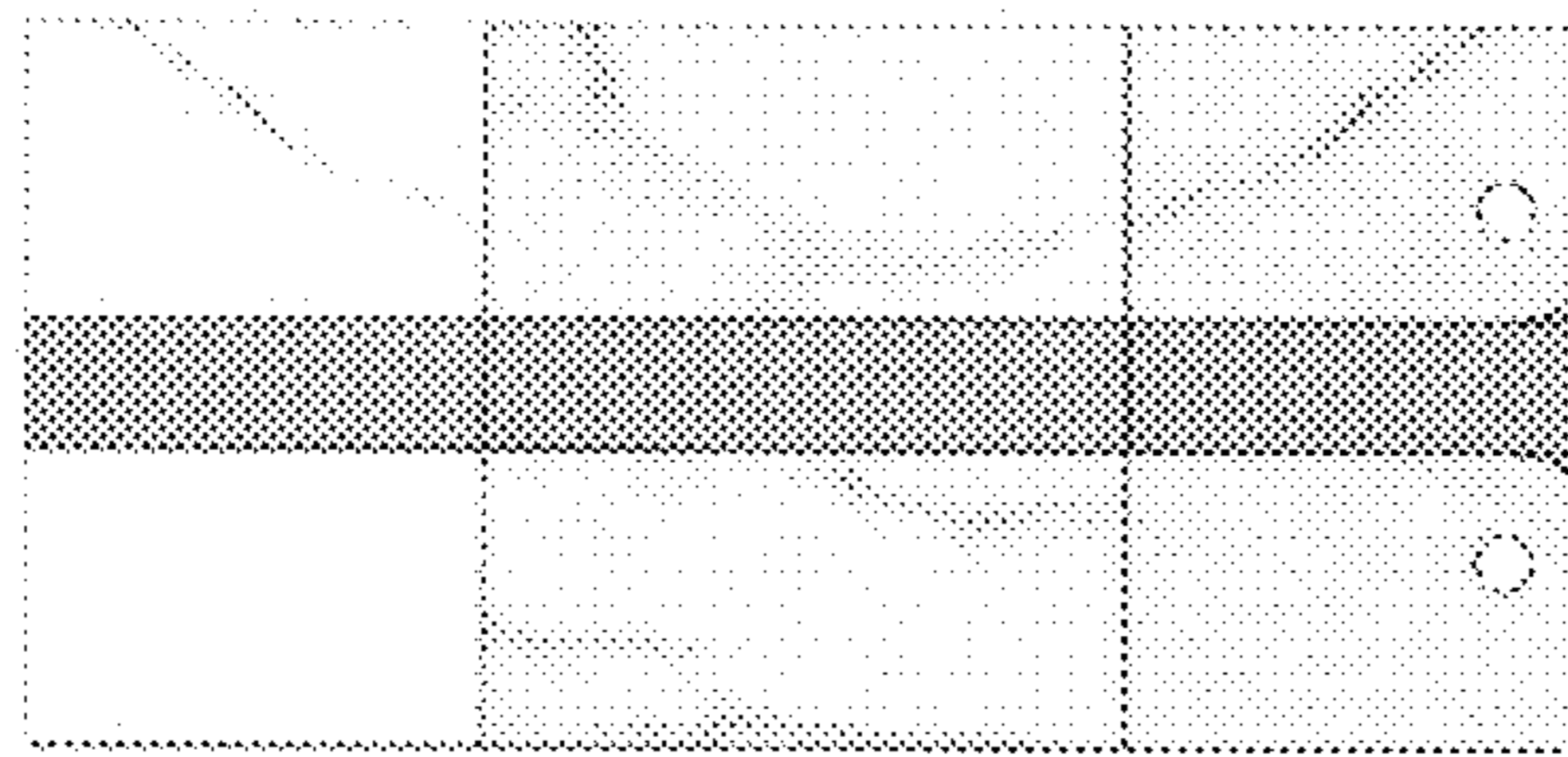


FIG. 6

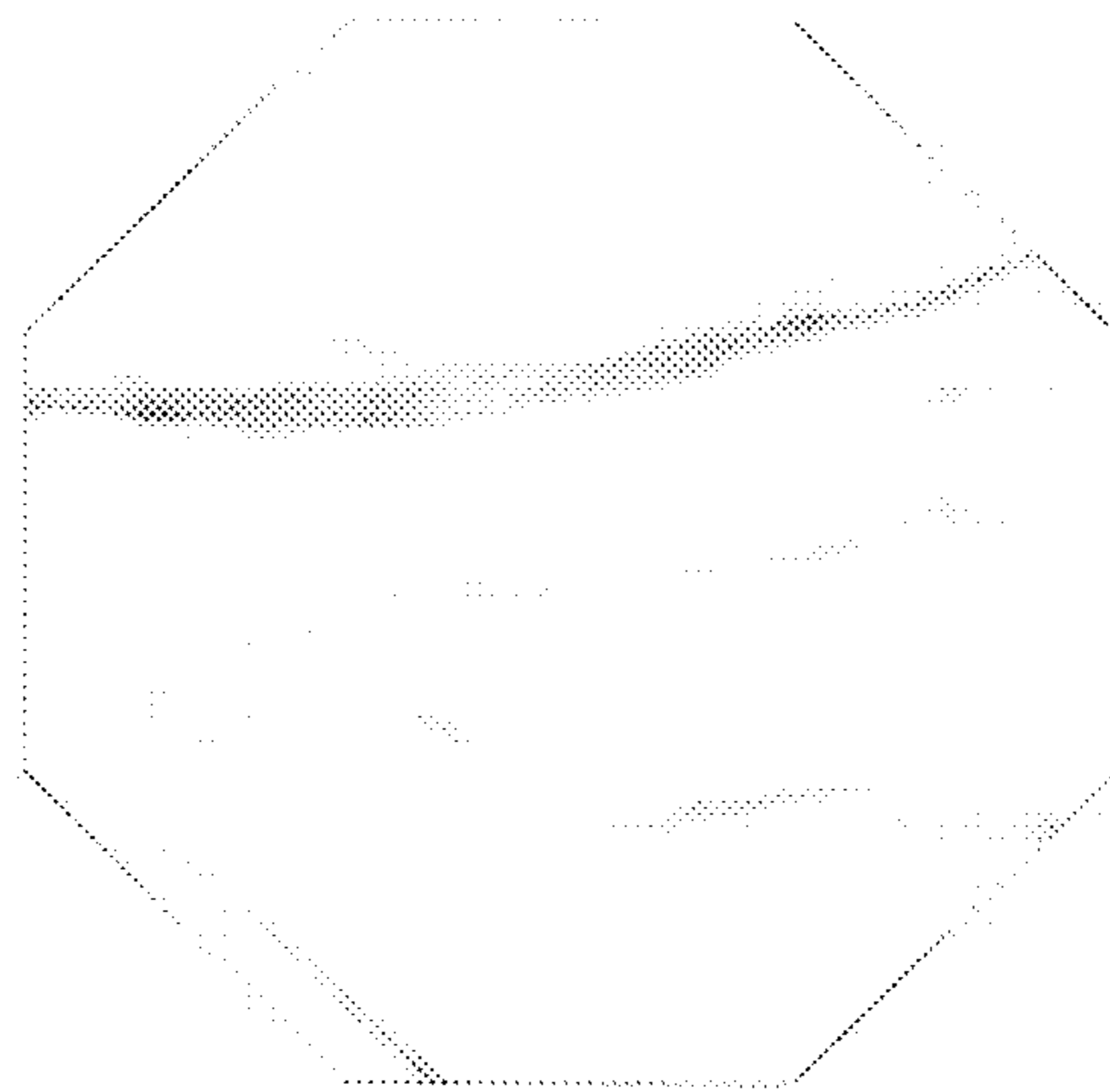




FIG. 7

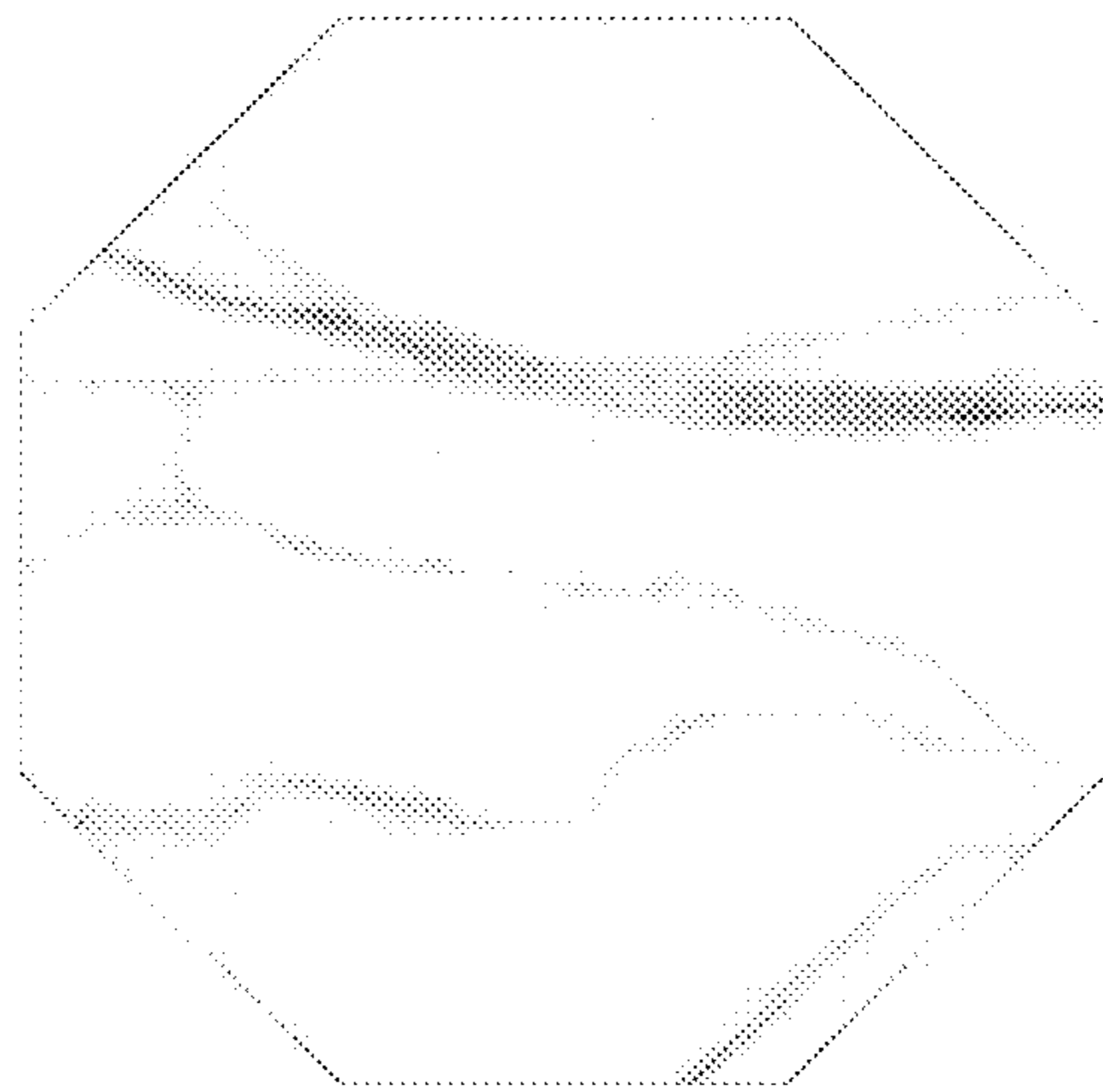


FIG. 8

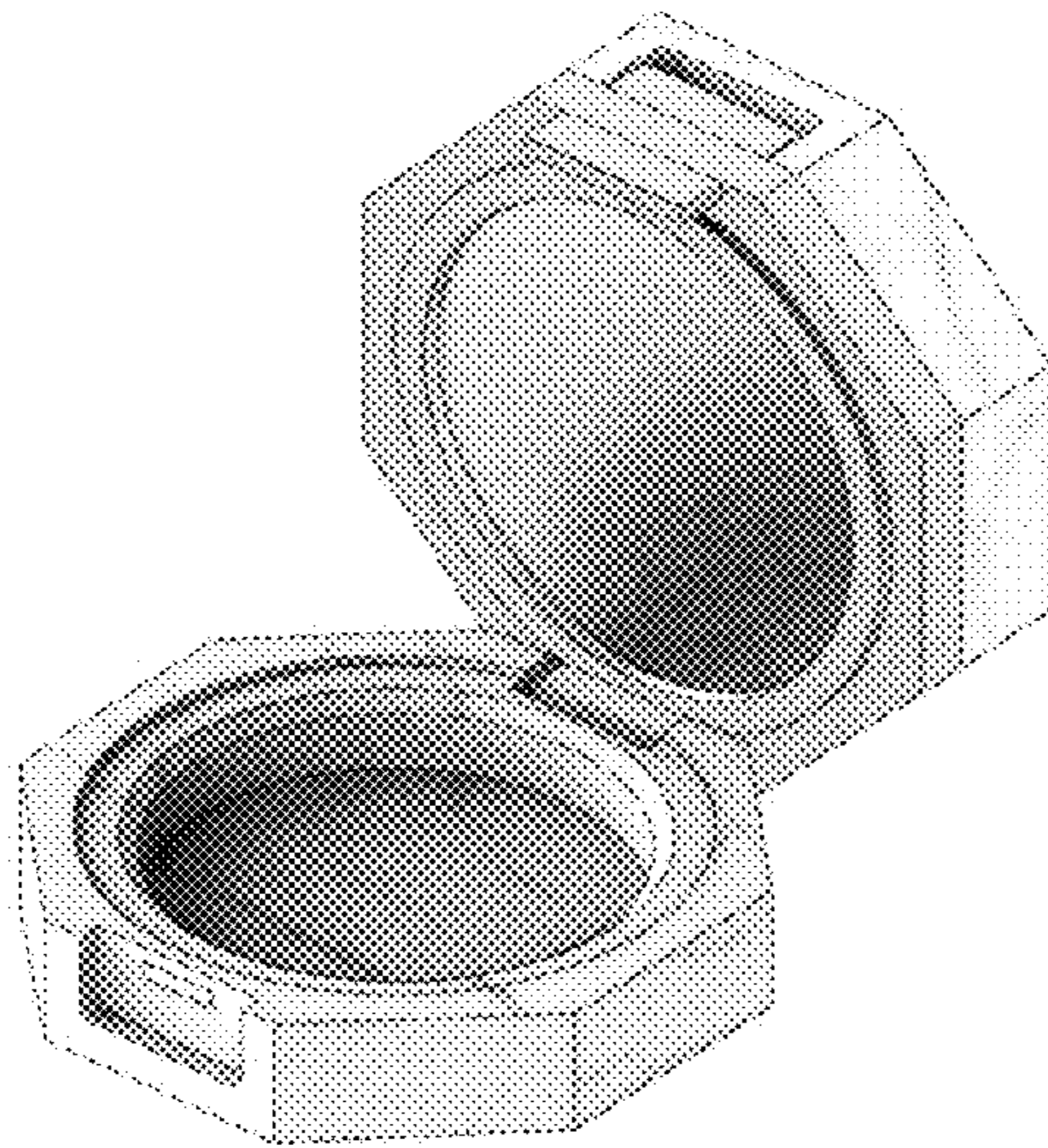


FIG. 9

