



US00D861249S

(12) **United States Design Patent**  
**Zaremba**

(10) **Patent No.:** **US D861,249 S**

(45) **Date of Patent:** **\*\* Sep. 24, 2019**

(54) **WAX STRIP**

(71) Applicant: **Harry's, Inc.**, New York, NY (US)

(72) Inventor: **Francis Zaremba**, Brooklyn, NY (US)

(73) Assignee: **Harry's, Inc.**, New York, NY (US)

(\*\*) Term: **15 Years**

(21) Appl. No.: **29/654,199**

(22) Filed: **Jun. 21, 2018**

(51) **LOC (12) Cl.** ..... **28-03**

(52) **U.S. Cl.**  
USPC ..... **D28/44.1**

(58) **Field of Classification Search**  
USPC ..... D28/4, 7, 9, 10, 11, 13, 35, 44.1, 44.2;  
D24/133, 144, 189, 206, 208-210, 216;  
D10/65-70, 81; D20/22, 27, 40;  
D3/247; D21/377  
CPC ..... B65H 51/22; D03J 33/00; A45D 2/00;  
A45D 2/001; A45D 2/002; A45D 2/02;  
A45D 2/04; A45D 2/06; A45D 2/08;  
A45D 2/10; A45D 2/12-22; A45D  
2/24-34; A45D 2/36-367; A45D 1/00;  
A45D 1/04; A45D 4/00; A45D 26/0014;  
A45D 26/00; A45D 26/0019  
See application file for complete search history.

(56) **References Cited**

**U.S. PATENT DOCUMENTS**

2,311,060	A *	2/1943	Lurrain	.....	A45D 26/0004
					451/524
2,377,774	A *	6/1945	Gotham	.....	A45D 26/00
					134/4
2,752,681	A *	7/1956	Jankelson	.....	A61C 9/00
					433/70
3,808,637	A *	5/1974	Lapidus	.....	A45D 26/0019
					452/71
D236,657	S	9/1975	Reeves		
D303,175	S	9/1989	Wilson et al.		
D382,911	S *	8/1997	Magner	.....	D20/22

D396,982	S	8/1998	Harris		
D453,357	S *	2/2002	Salemi	.....	D20/22
D457,568	S *	5/2002	Leon	.....	D20/22
D529,607	S	10/2006	Lindner et al.		

(Continued)

**OTHER PUBLICATIONS**

Flamingo: A women's Brand from the Makers of Harry's, published on Nov. 20, 2018 on youtube.com, retrieved on May 8, 2019, retrieved from the Internet URL: <https://www.youtube.com/watch?v=zb4GxYTMiH4>.\*

*Primary Examiner* — Jennifer Rivard

*Assistant Examiner* — Alison M Ofstun

(74) *Attorney, Agent, or Firm* — Florek & Endres PLLC

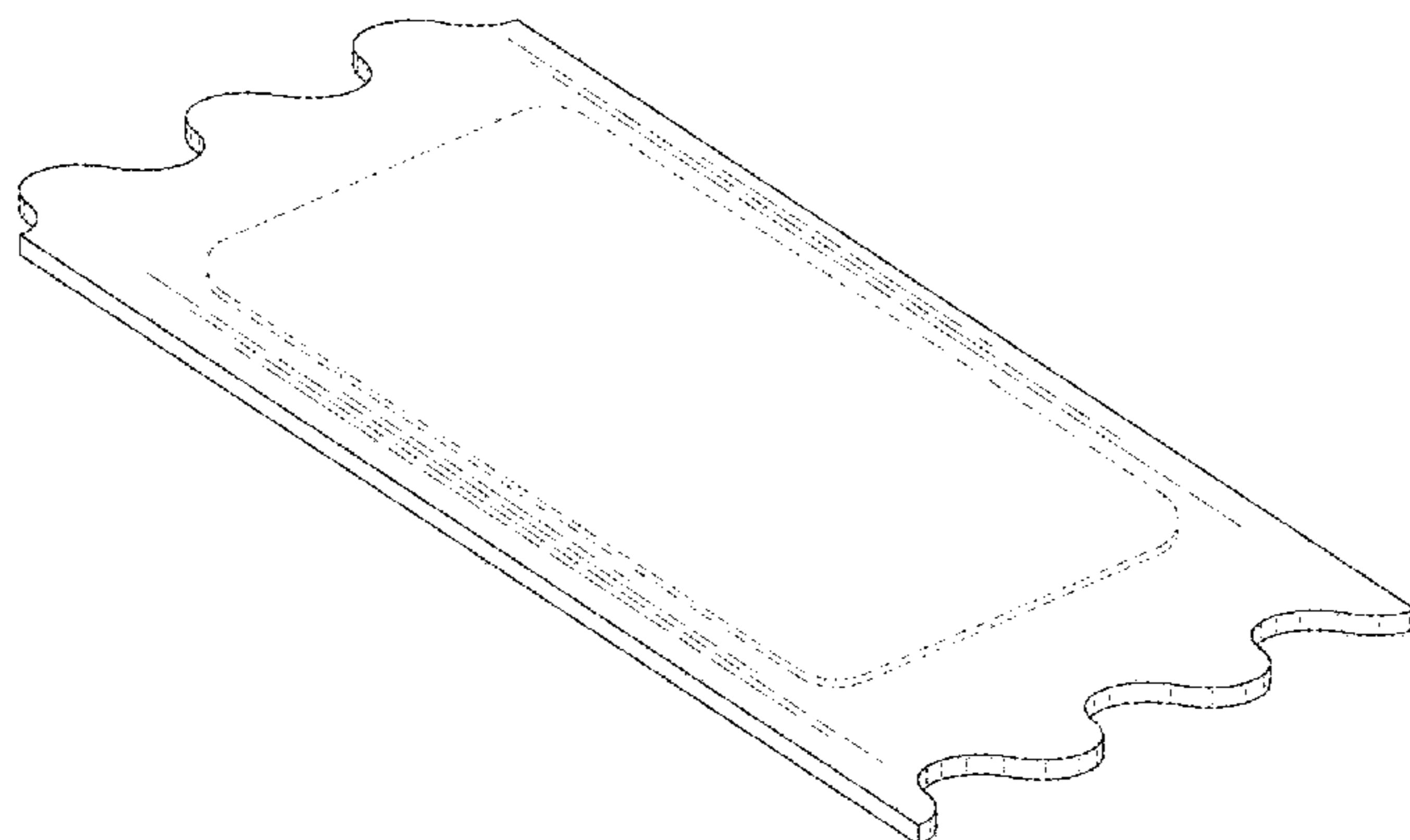
(57) **CLAIM**

The ornamental design for a wax strip, as shown and described.

**DESCRIPTION**

FIG. 1 is a perspective view of a first embodiment of a wax strip, showing my new design;  
FIG. 2 is a top plan view thereof.  
FIG. 3 is a bottom plan view thereof.  
FIG. 4 is a right side elevation thereof.  
FIG. 5 is a left side elevation thereof.  
FIG. 6 is a front elevation thereof.  
FIG. 7 is a rear elevation thereof.  
FIG. 8 is a perspective view of a second embodiment of a wax strip;  
FIG. 9 is a top plan view thereof.  
FIG. 10 is a bottom plan view thereof.  
FIG. 11 is a right side elevation thereof.  
FIG. 12 is a left side elevation thereof.  
FIG. 13 is a front elevation thereof; and,  
FIG. 14 is a rear elevation thereof.  
The broken lines in the drawings represent portions of the article which form no part of the claimed design.

**1 Claim, 10 Drawing Sheets**



(56)

References Cited

U.S. PATENT DOCUMENTS

D533,271 S	12/2006	Härsjö	D746,996 S	1/2016	Karlsson et al.
D541,415 S	4/2007	Mason, Jr. et al.	D754,397 S	4/2016	Wisse
D542,409 S	5/2007	Wannaborworn et al.	D755,895 S *	5/2016	Garfinkle ..... D20/27
D551,343 S	9/2007	Härsjö	D757,280 S	5/2016	Ogaki et al.
D551,761 S	9/2007	Härsjö	D757,950 S	5/2016	Karlsson et al.
D565,792 S	4/2008	LaBlaine	D760,954 S	7/2016	Arjona De Lucio
D574,556 S	8/2008	LaBlaine	D765,869 S	9/2016	Camper
D574,962 S	8/2008	Atkins et al.	D782,738 S	3/2017	Wisse
D618,810 S	6/2010	Tanigawa	D786,353 S *	5/2017	Nakai ..... D19/1
D638,591 S	5/2011	Spurgeon	D790,071 S	6/2017	Ahsani et al.
D639,422 S	6/2011	Rave	D795,442 S	8/2017	Arbesman
D642,332 S	7/2011	Kim	D796,032 S	8/2017	Latshaw
D646,789 S	10/2011	Barth	D797,473 S	9/2017	Wilkinson et al.
D672,919 S	12/2012	Campbell	D819,743 S *	6/2018	Clegg ..... D20/22
D682,420 S	5/2013	Abram et al.	2013/0150867 A1 *	6/2013	Atteia ..... A45D 26/0019
D713,048 S	9/2014	Ogaki et al.			606/133
D734,849 S	7/2015	Conforti	2013/0204274 A1 *	8/2013	Campbell ..... A45D 26/0014
D737,378 S	8/2015	Marcinkowski			606/133
D739,532 S *	9/2015	Sicarelli ..... D24/158	2015/0374091 A1 *	12/2015	Ismiel-Nash ..... A45D 26/0014
					606/134
			2017/0208916 A1 *	7/2017	Djadar ..... A45D 26/0014

\* cited by examiner

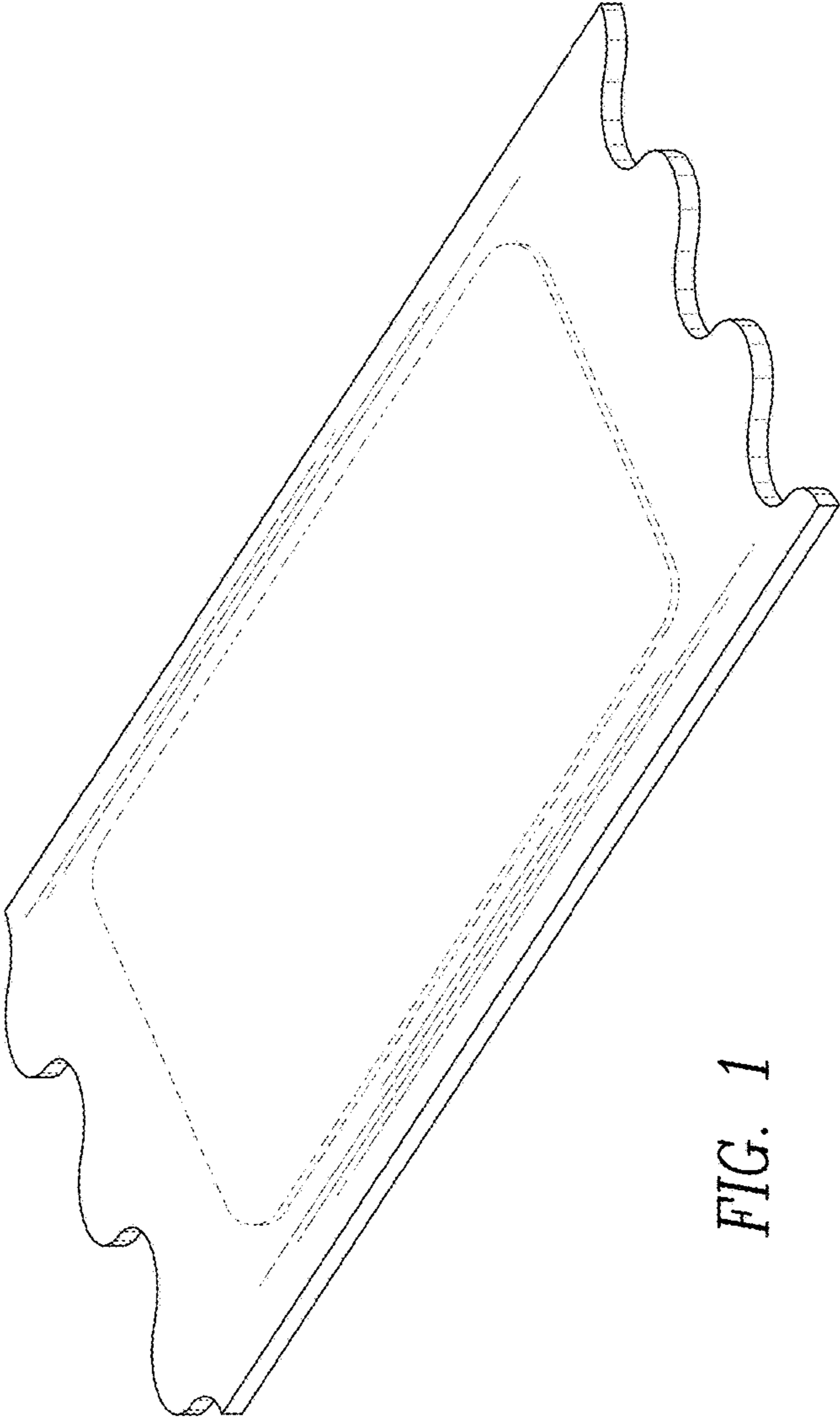


FIG. 1

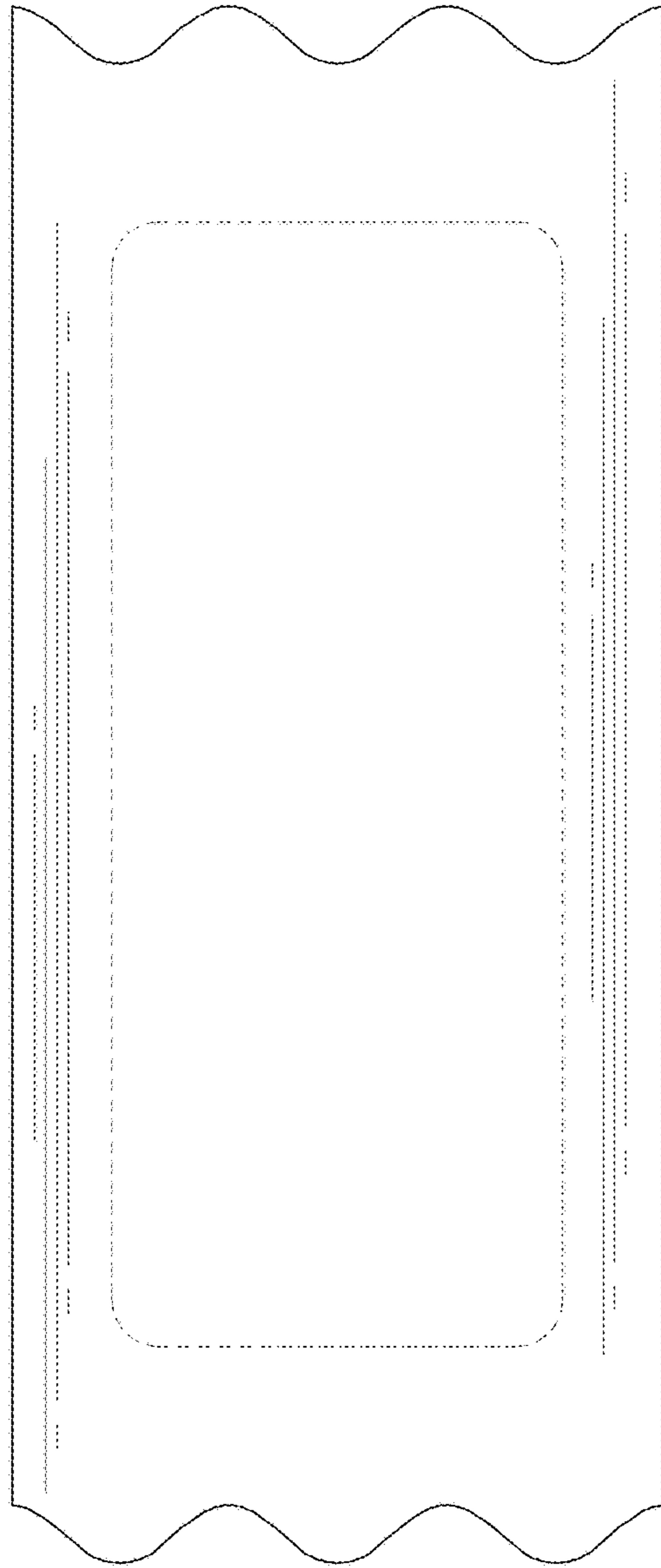


FIG. 2

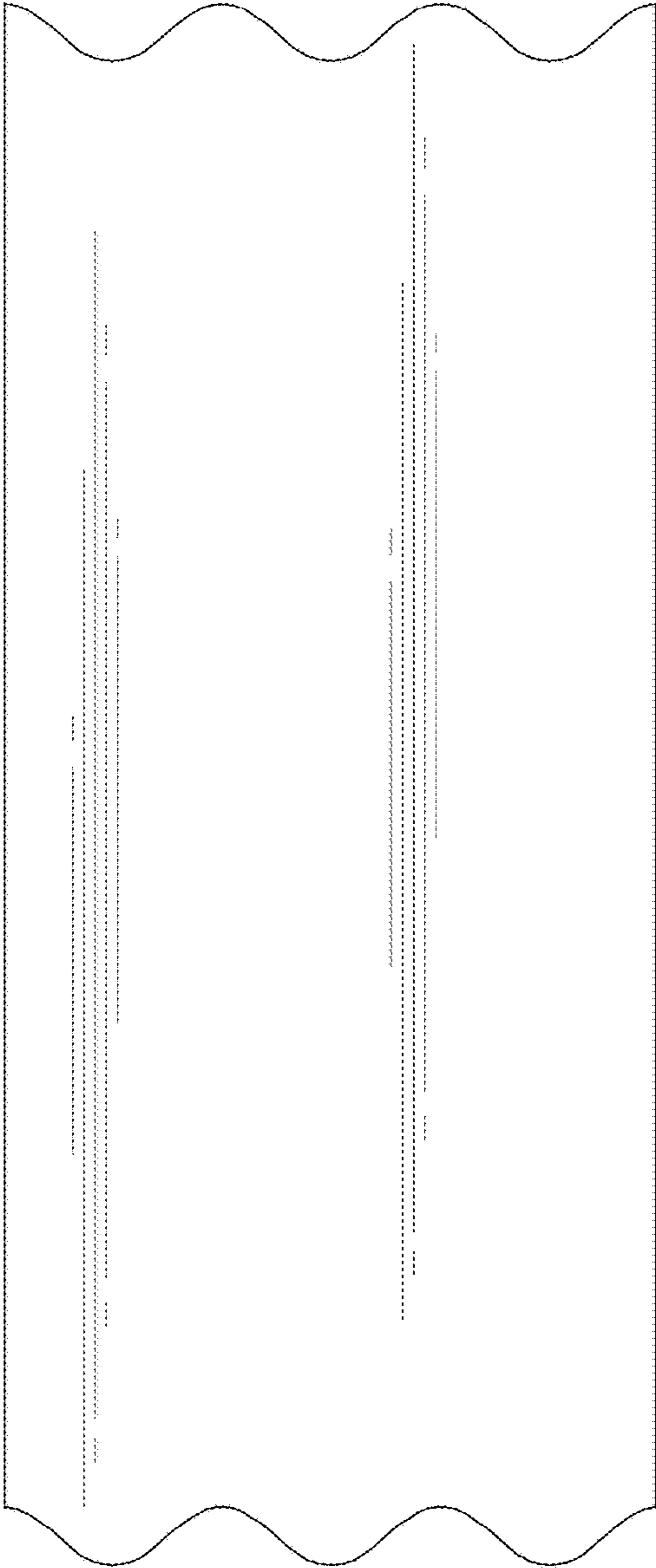
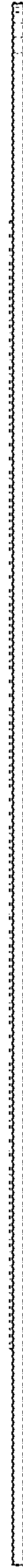
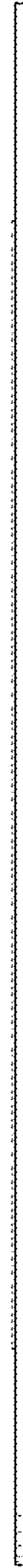


FIG. 3



*FIG. 4*



*FIG. 5*



*FIG. 6*



*FIG. 7*

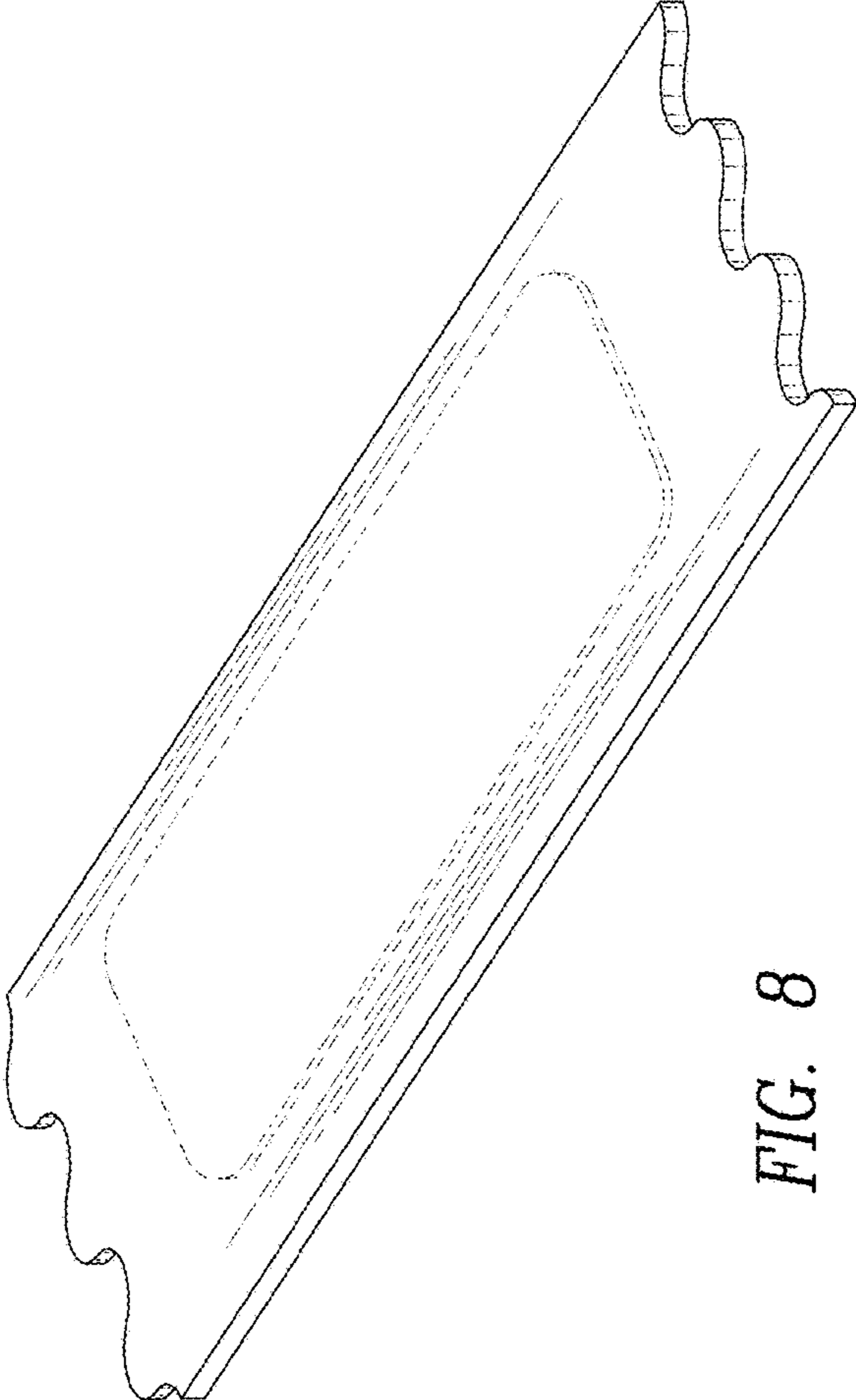


FIG. 8



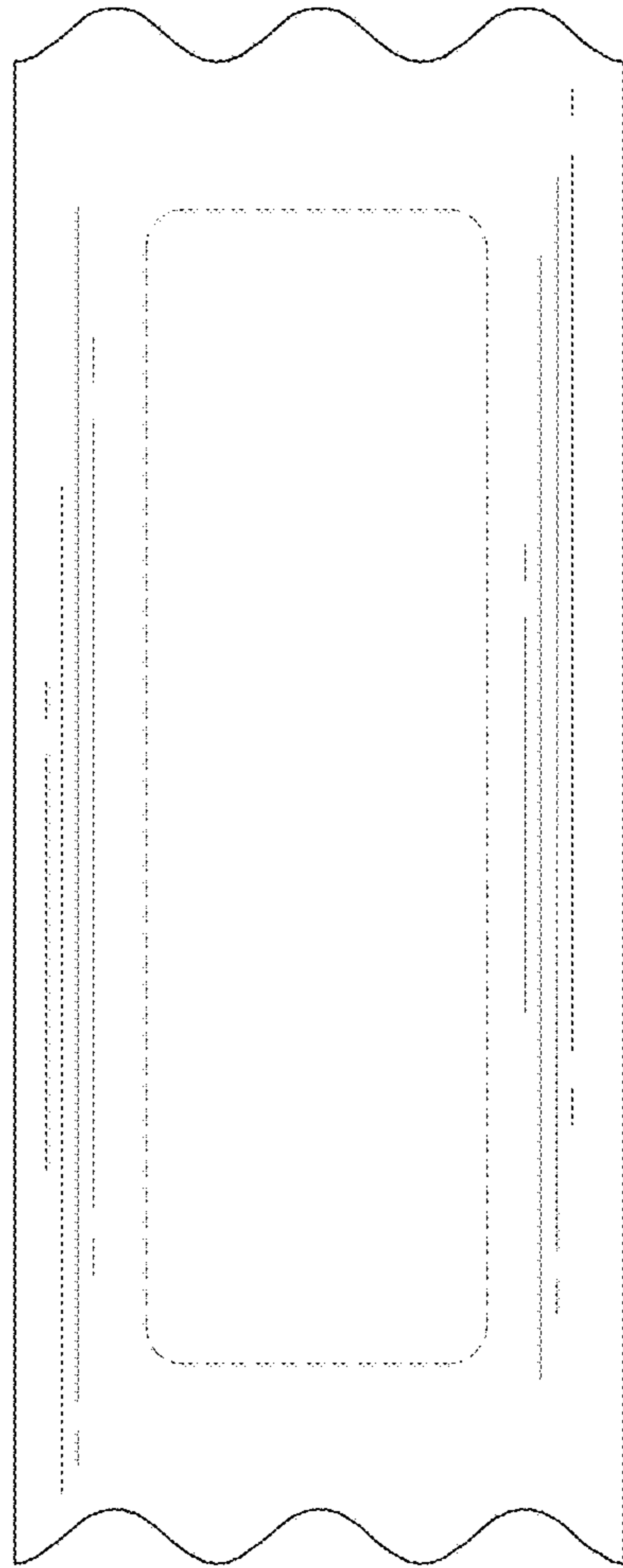


FIG. 9

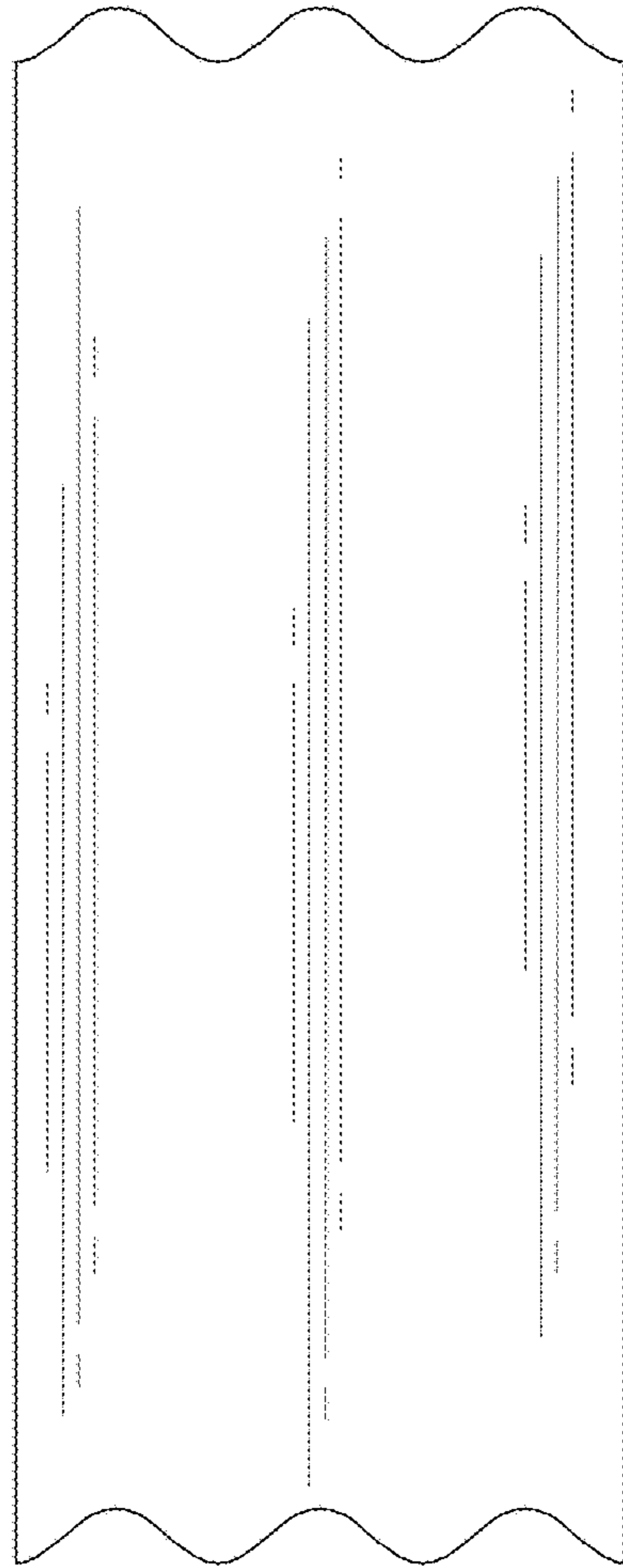
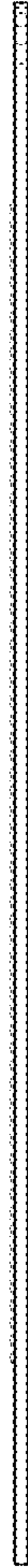
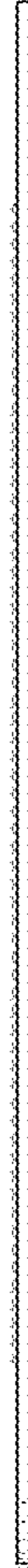


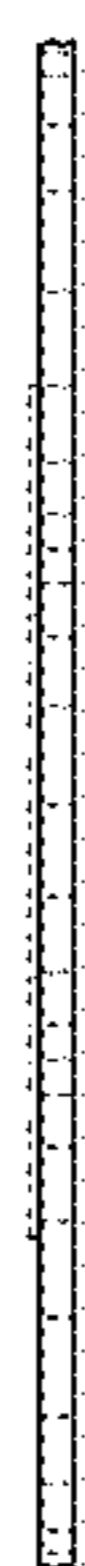
FIG. 10



*FIG. 11*



*FIG. 12*



*FIG. 13*

*FIG. 14*